

[54] COMPUTER

[75] Inventors: Cheng-Chang Lee; Morris J. Lin, both of Taipei, Taiwan

[73] Assignee: Acer Incorporated, Taiwan

[\*\*] Term: 14 Years

[21] Appl. No.: 182,056

[22] Filed: Apr. 14, 1988

[52] U.S. Cl. .... D14/100; D14/109

[58] Field of Search ..... D14/100-117; D13/40, 41; 174/50, 52 R; 360/97-99, 132, 133; 361/330, 331, 334, 335, 399, 390-395, 415; 200/5 A, 5 R, 6 A, 6 R; 312/198, 208

[56] References Cited

U.S. PATENT DOCUMENTS

- D. 277,283 1/1985 Empson et al. .... D14/100
- D. 279,374 6/1985 Benigni et al. .... D14/100
- D. 279,675 7/1985 Akiyama ..... D14/100
- D. 282,664 2/1986 Aoyama ..... D14/100

D. 293,242 12/1987 Hujimori et al. .... D14/100

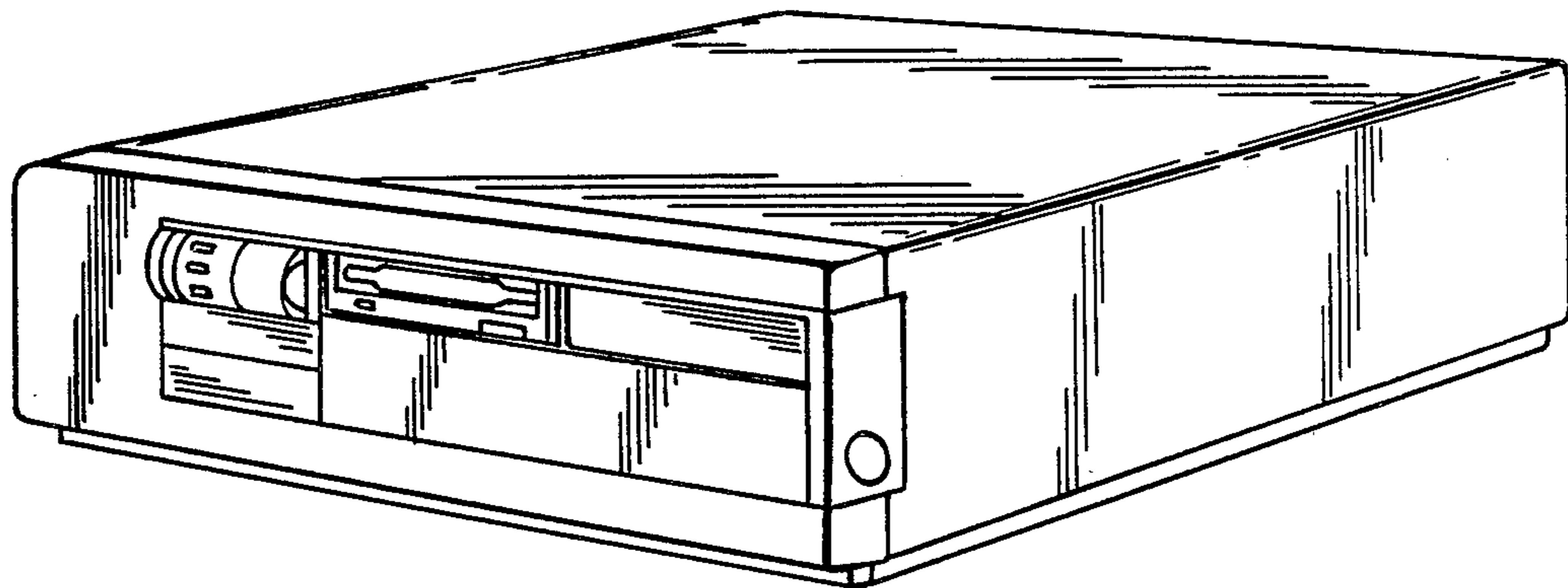
Primary Examiner—Susan J. Lucas  
Assistant Examiner—Freda S. Nunn  
Attorney, Agent, or Firm—Kirkland & Ellis

[57] CLAIM

The ornamental design for a computer, as shown and described.

DESCRIPTION

FIG. 1 is a top, front, right side perspective view of a computer showing our new design;  
FIG. 2 is a front elevational view thereof on an enlarged scale;  
FIG. 3 is a rear elevational view thereof on an enlarged scale;  
FIG. 4 is a top plan view thereof on an enlarged scale;  
FIG. 5 is a bottom plan view thereof on an enlarged scale;  
FIG. 6 is a left side elevational view thereof on an enlarged scale; and  
FIG. 7 is a right side elevational view thereof on an enlarged scale.



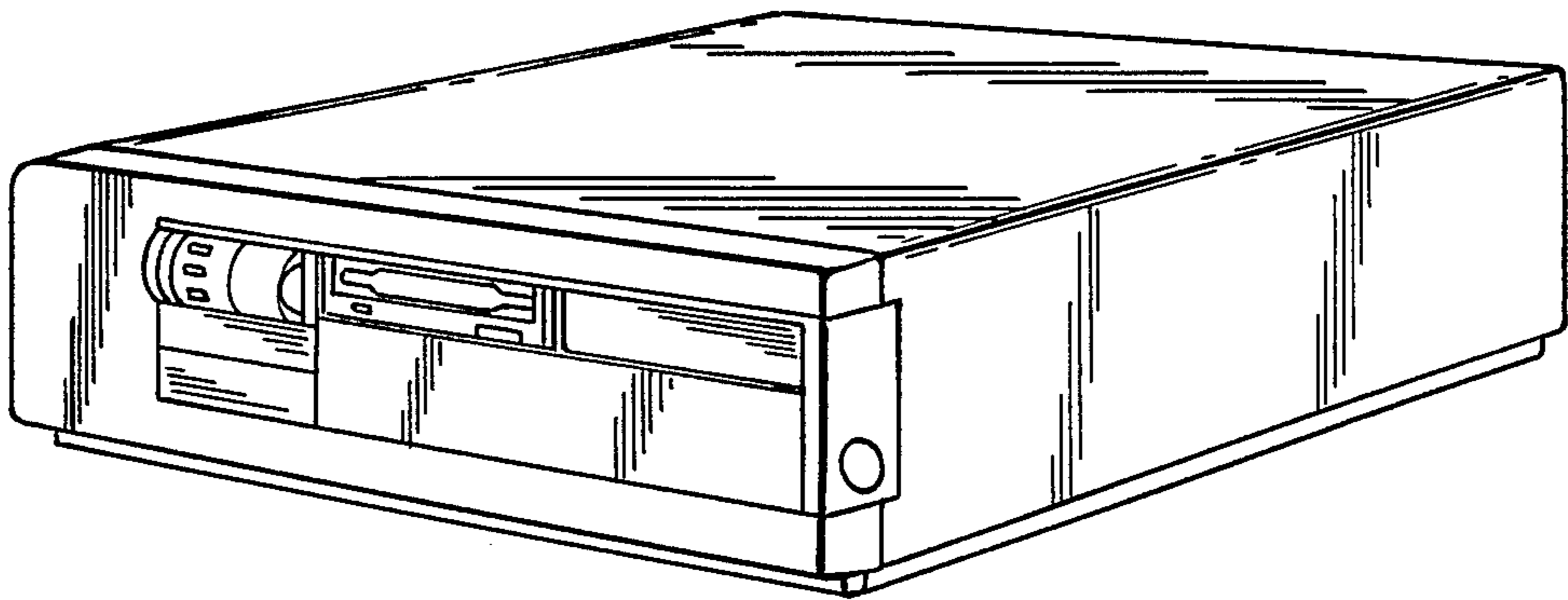


FIG. 1

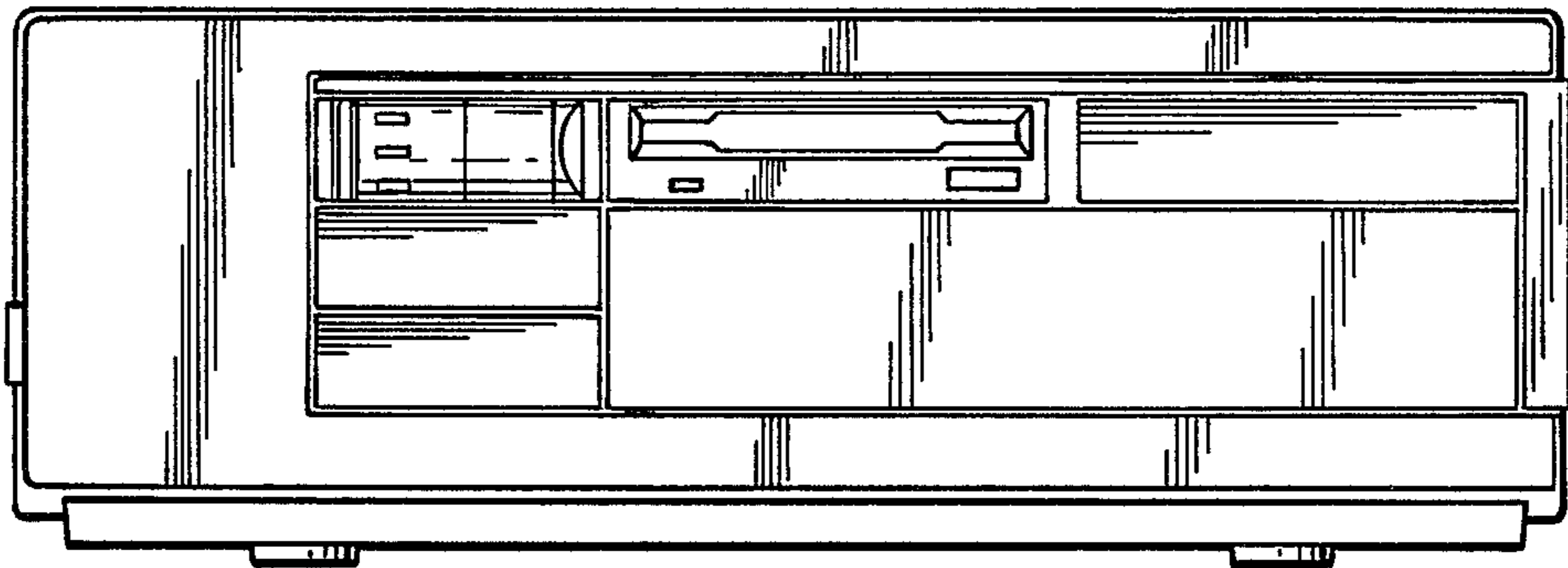


FIG. 2

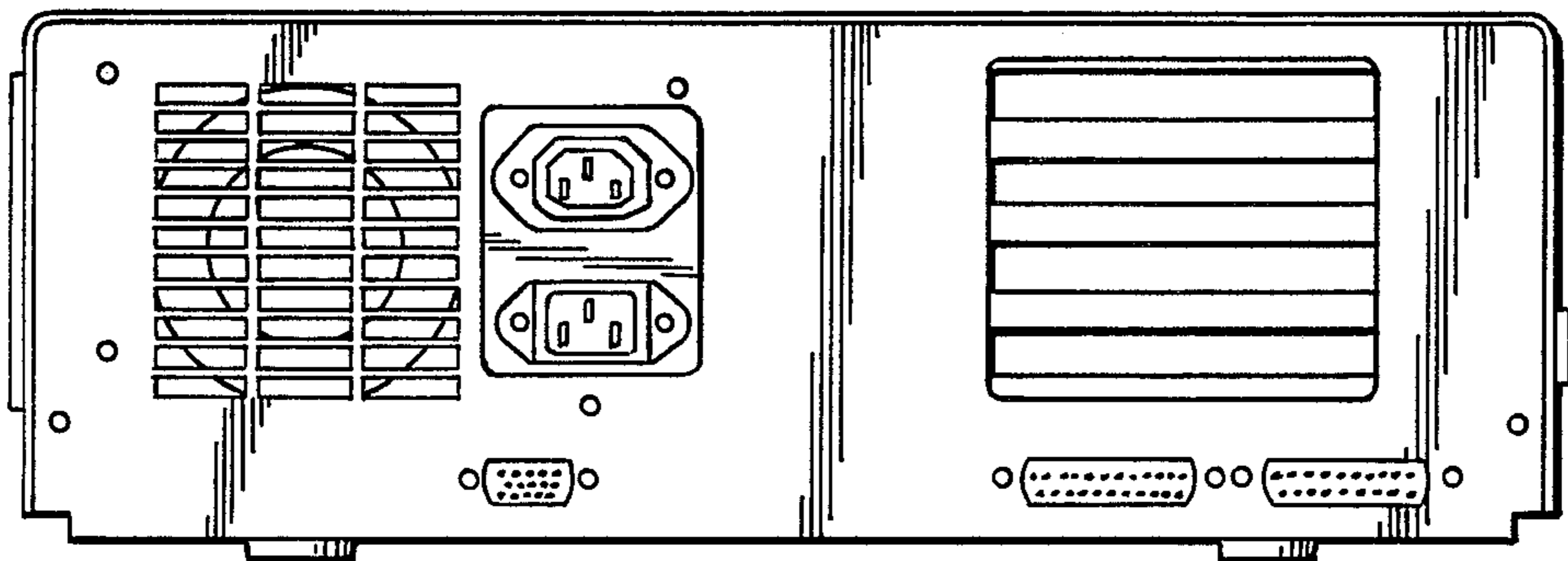
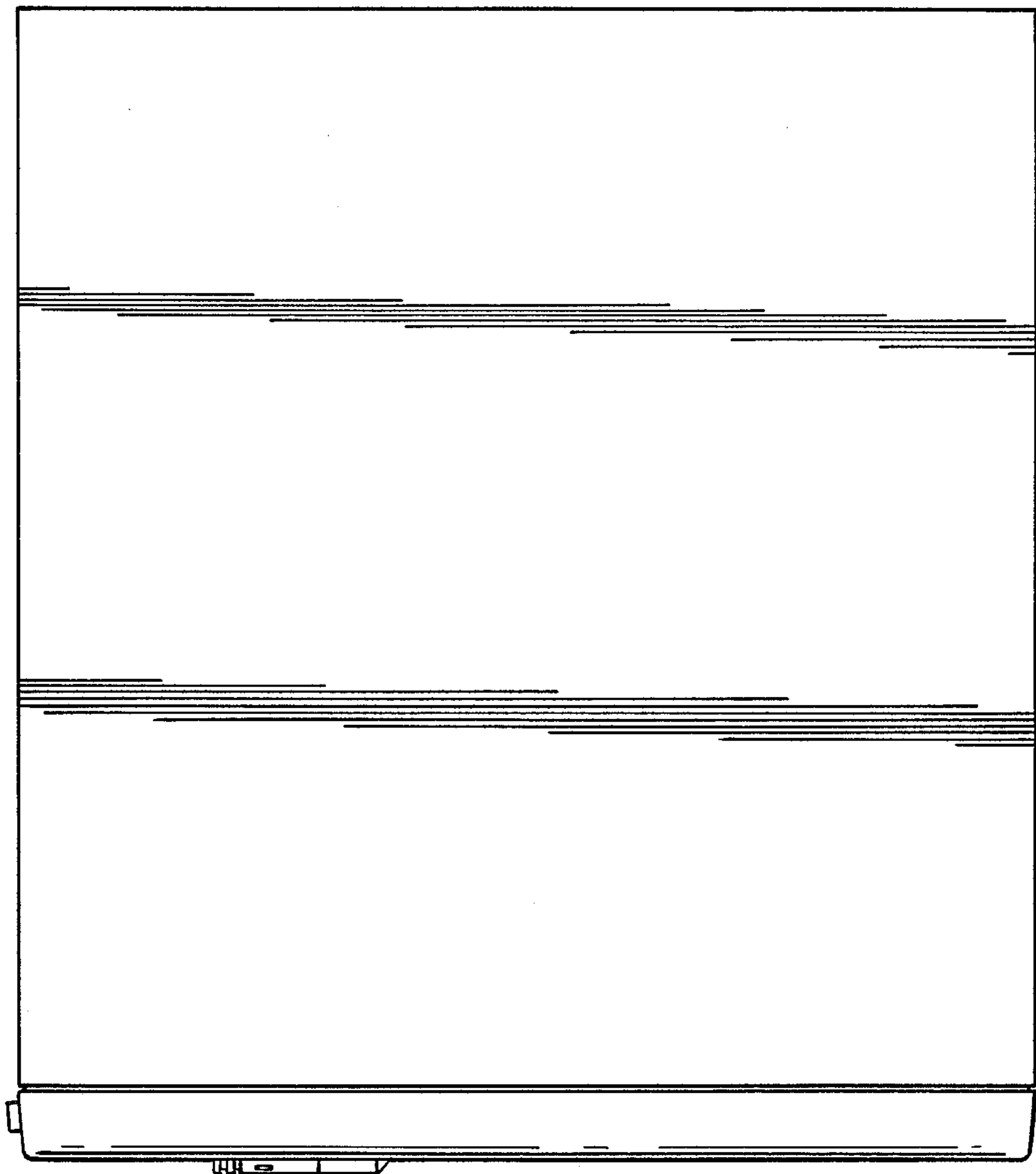
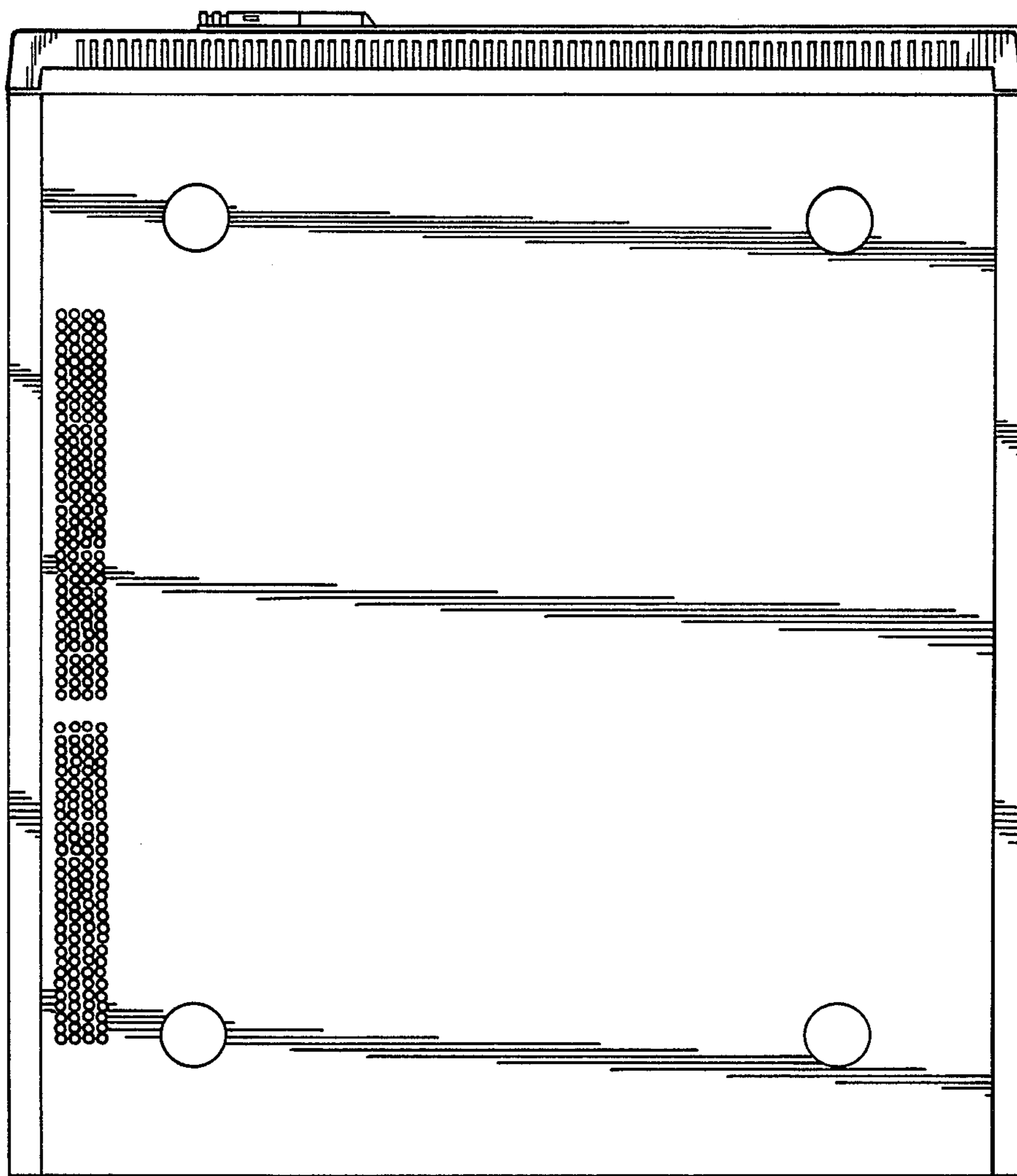


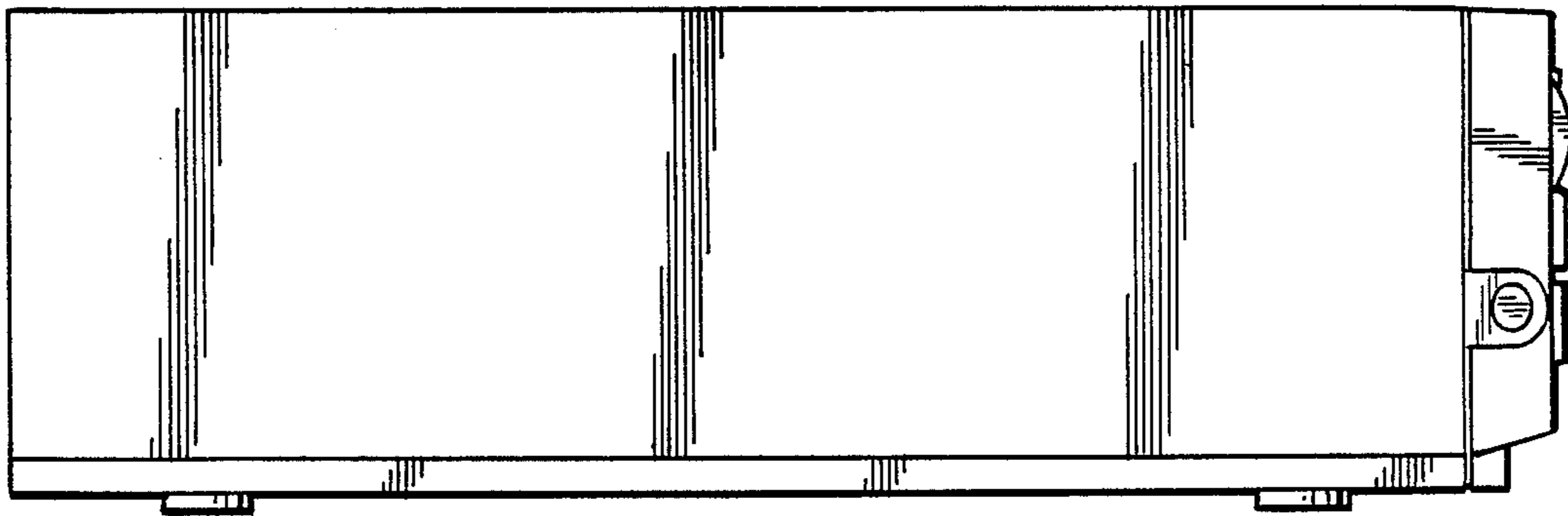
FIG. 3



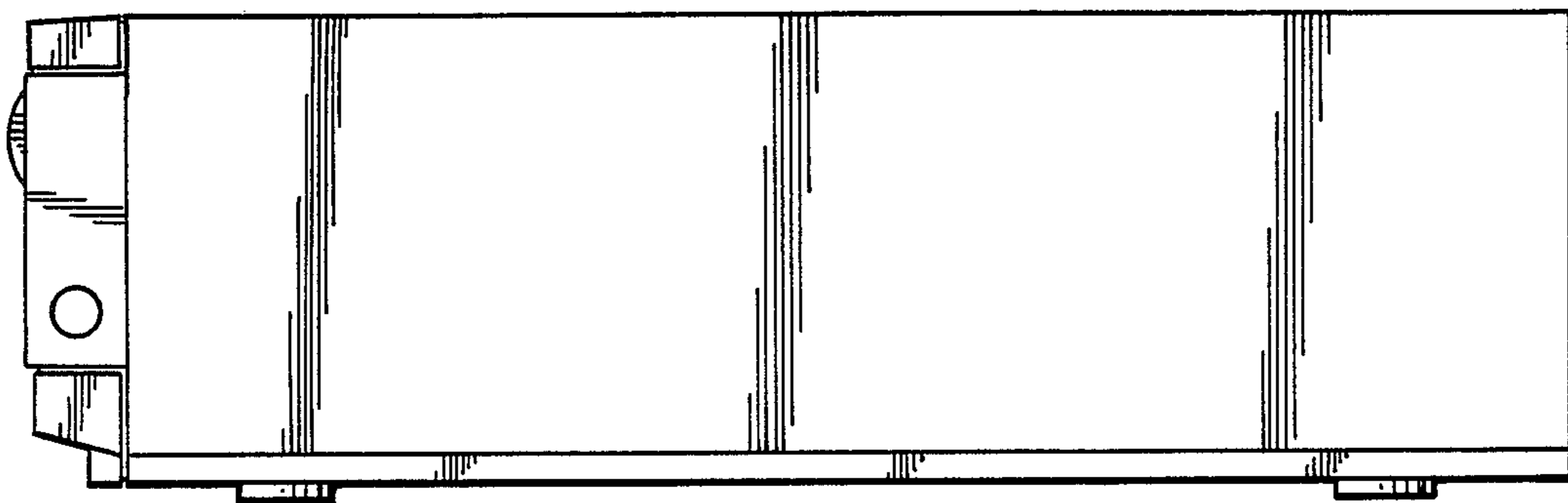
*FIG. 4*



*FIG. 5*



*FIG. 6*



*FIG. 7*