

United States Patent [19]

Cheng et al.

[11] Patent Number: **Des. 311,173**

[45] Date of Patent: **** Oct. 9, 1990**

[54] **COMPUTER**

[75] Inventors: **Joe S. Cheng; Ben-Shi Roun**, both of Taipei, Taiwan

[73] Assignee: **Acer Incorporated**, Taiwan

[**] Term: **14 Years**

[21] Appl. No.: **181,829**

[22] Filed: **Apr. 14, 1988**

[52] U.S. Cl. **D14/100; D14/109**

[58] Field of Search **D14/100-117; D13/40, 41; 174/50, 52 R; 360/97-99, 132, 133; 361/330, 331, 334, 335, 390-395, 399, 415; 200/5 A, 5 R, 6 A, 6 R; 312/198, 208**

[56] **References Cited**

U.S. PATENT DOCUMENTS

- D. 277,283 1/1985 Empson et al. D14/100
- D. 279,374 6/1985 Benigni et al. D14/100
- D. 279,675 7/1985 Akiyama D14/100

- D. 282,664 2/1986 Aoyama D14/100
- D. 293,242 12/1987 Hojimori et al. D14/100

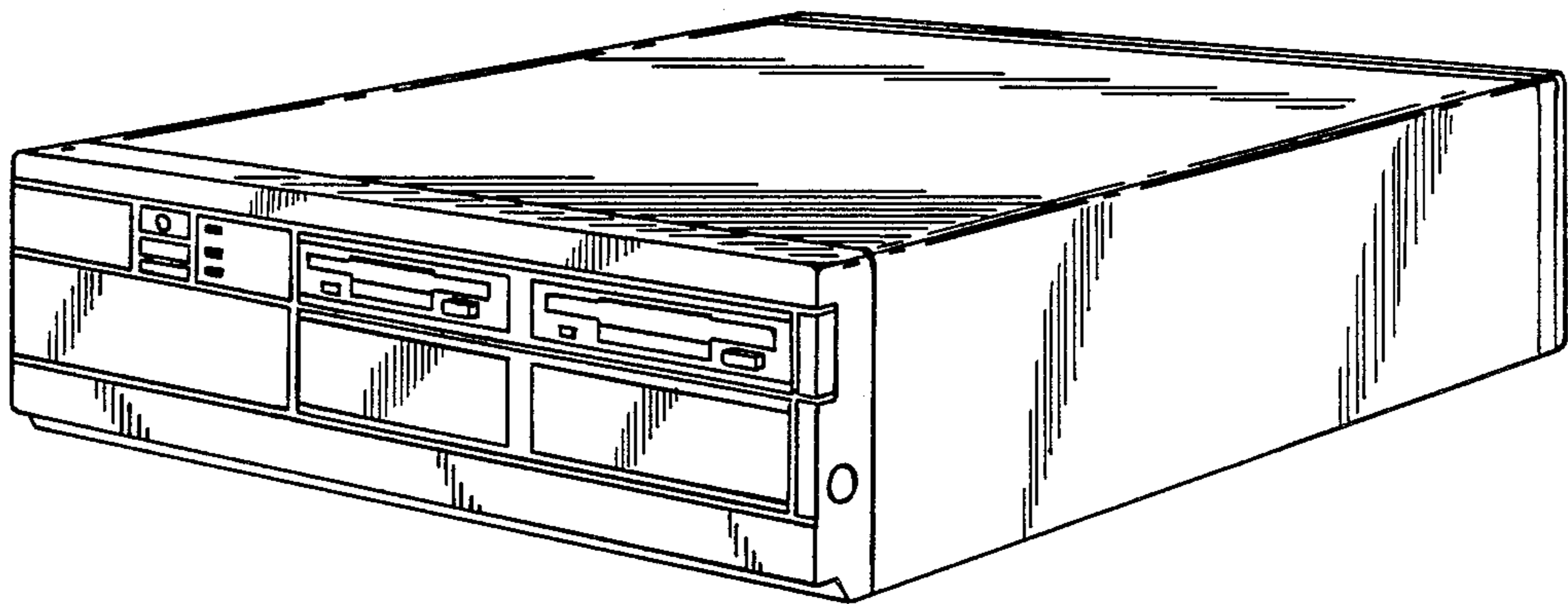
Primary Examiner—Susan J. Lucas
Assistant Examiner—Freda S. Nunn
Attorney, Agent, or Firm—Kirkland & Ellis

[57] **CLAIM**

The ornamental design for a computer, as shown and described.

DESCRIPTION

FIG. 1 is a top, front, right side perspective view of a computer showing our new design;
FIG. 2 is a front elevational view thereof on an enlarged scale;
FIG. 3 is a rear elevational view thereof on an enlarged scale;
FIG. 4 is a top plan view thereof;
FIG. 5 is a bottom plan view thereof;
FIG. 6 is a left side elevational view thereof; and
FIG. 7 is a right side elevational view thereof.



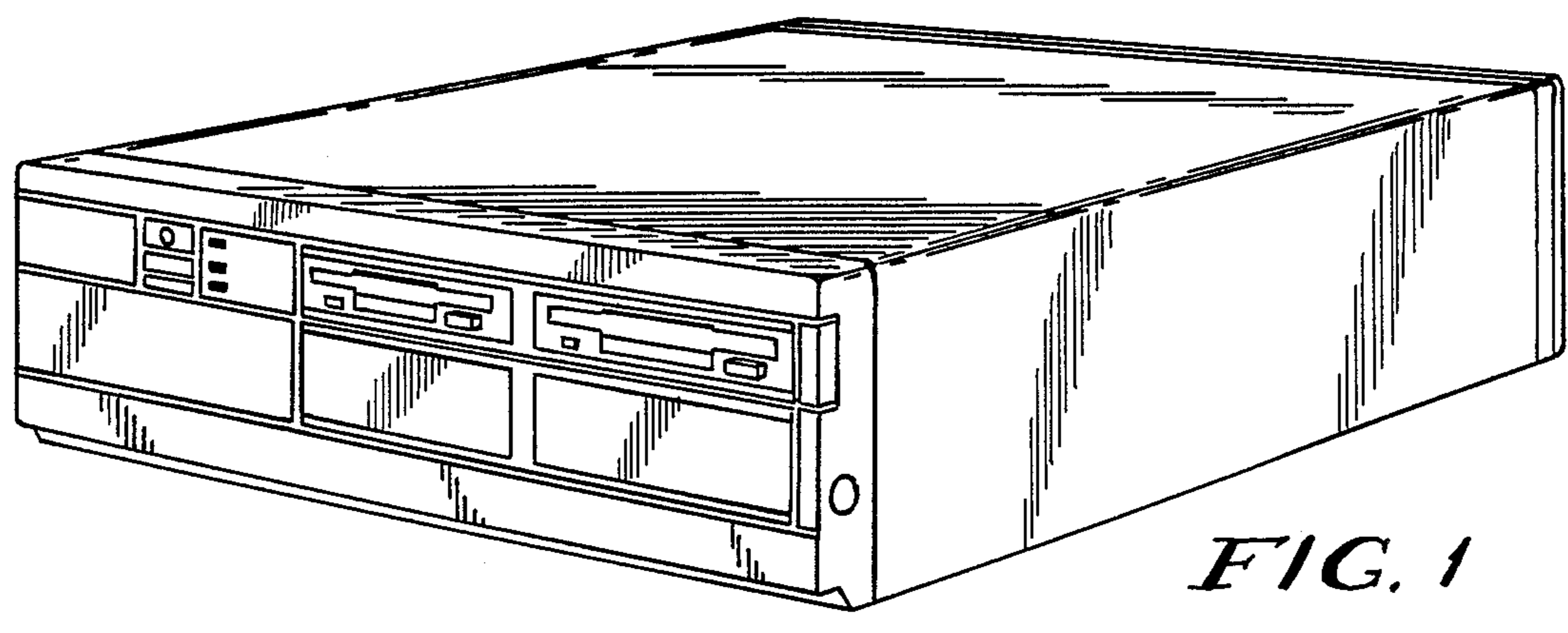


FIG. 1

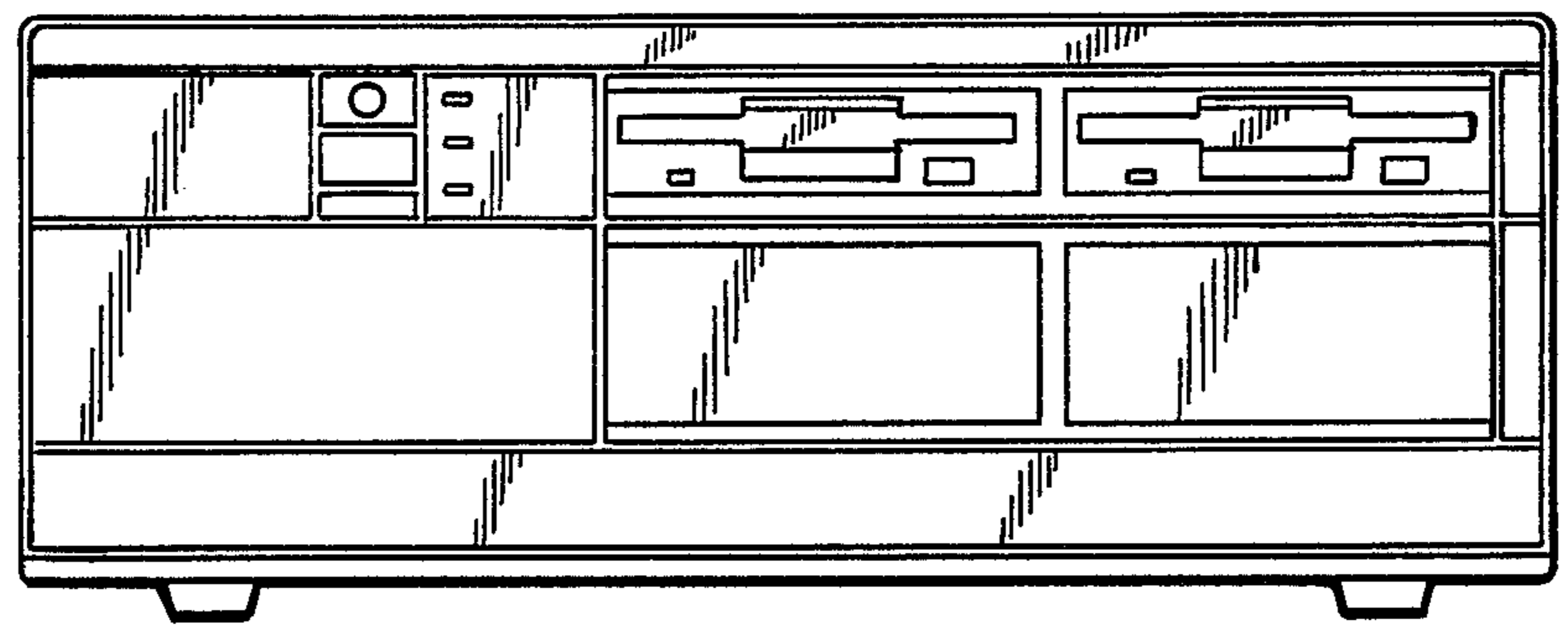


FIG. 2

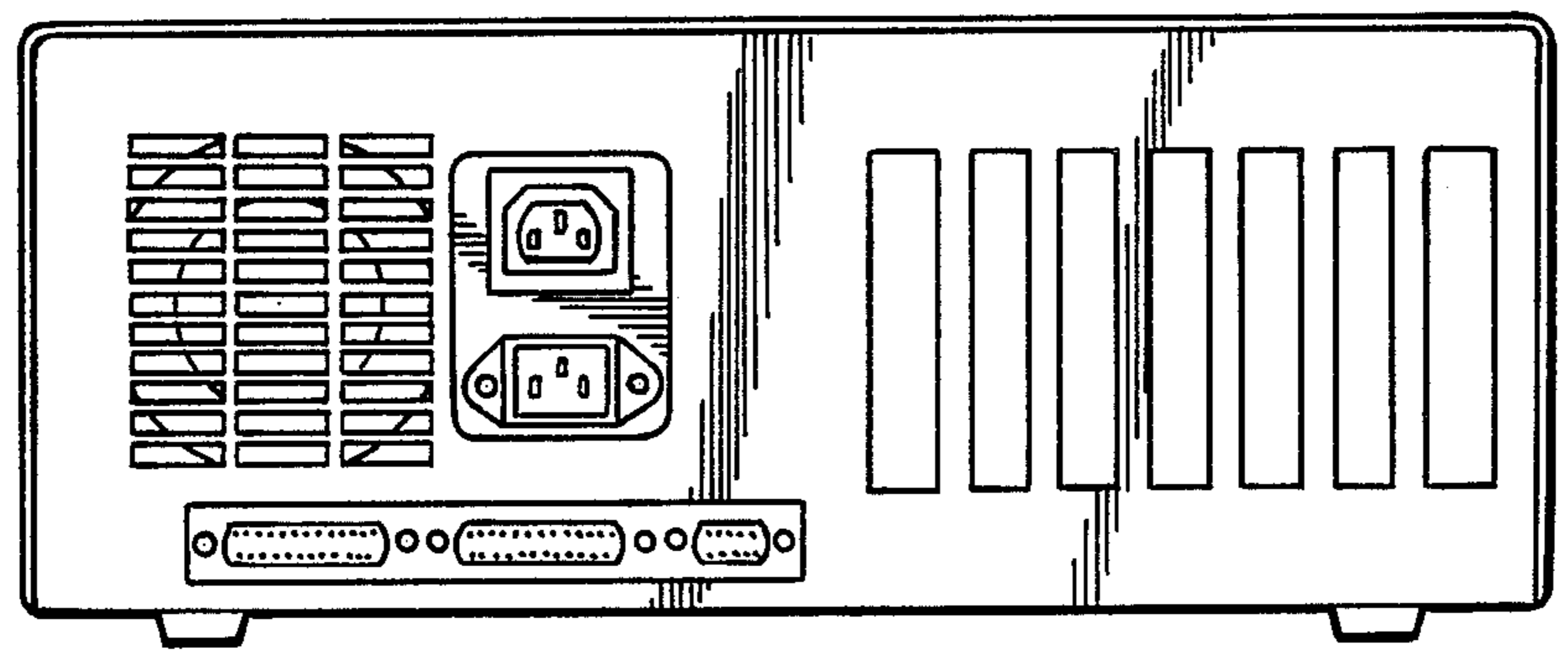


FIG. 3

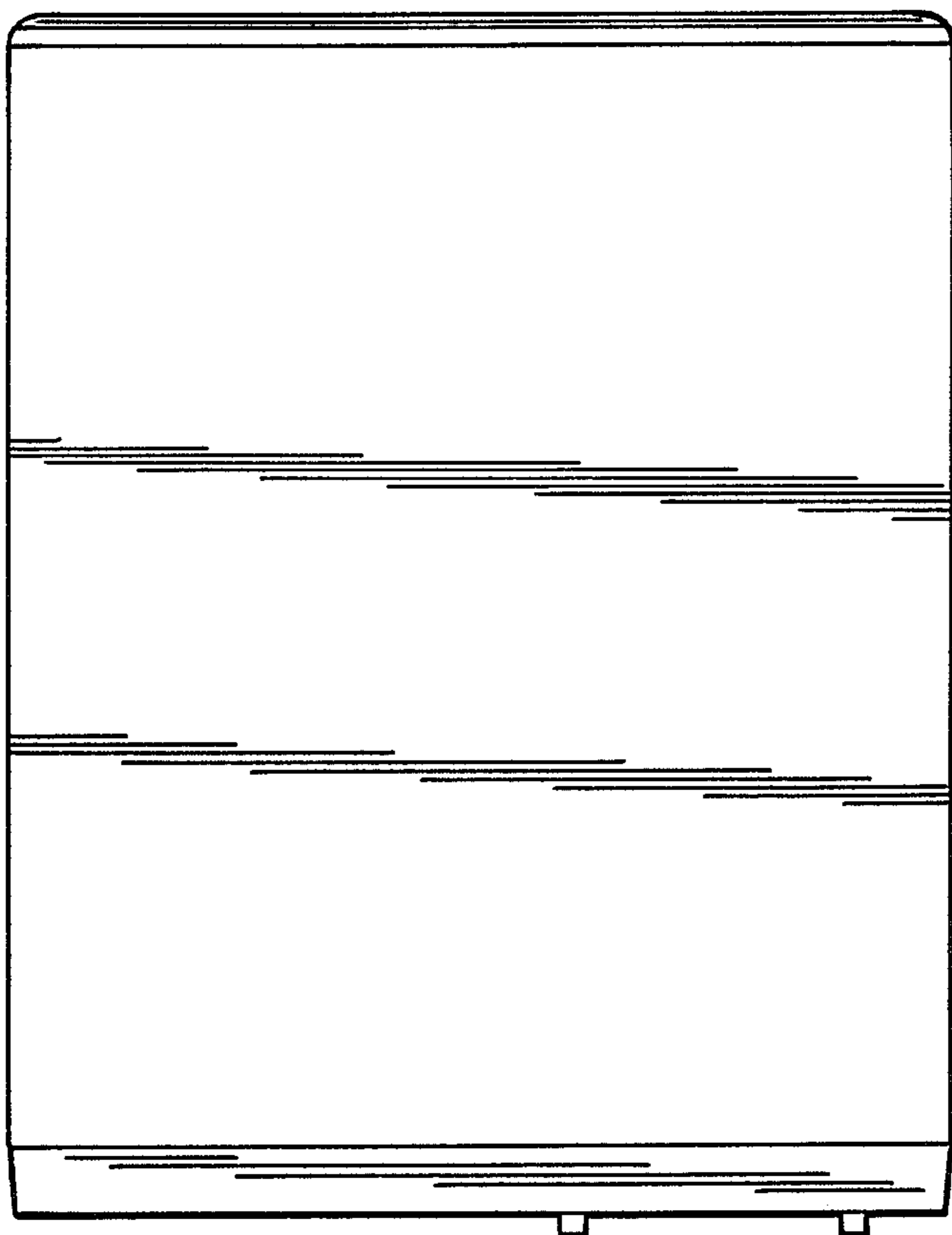


FIG. 4

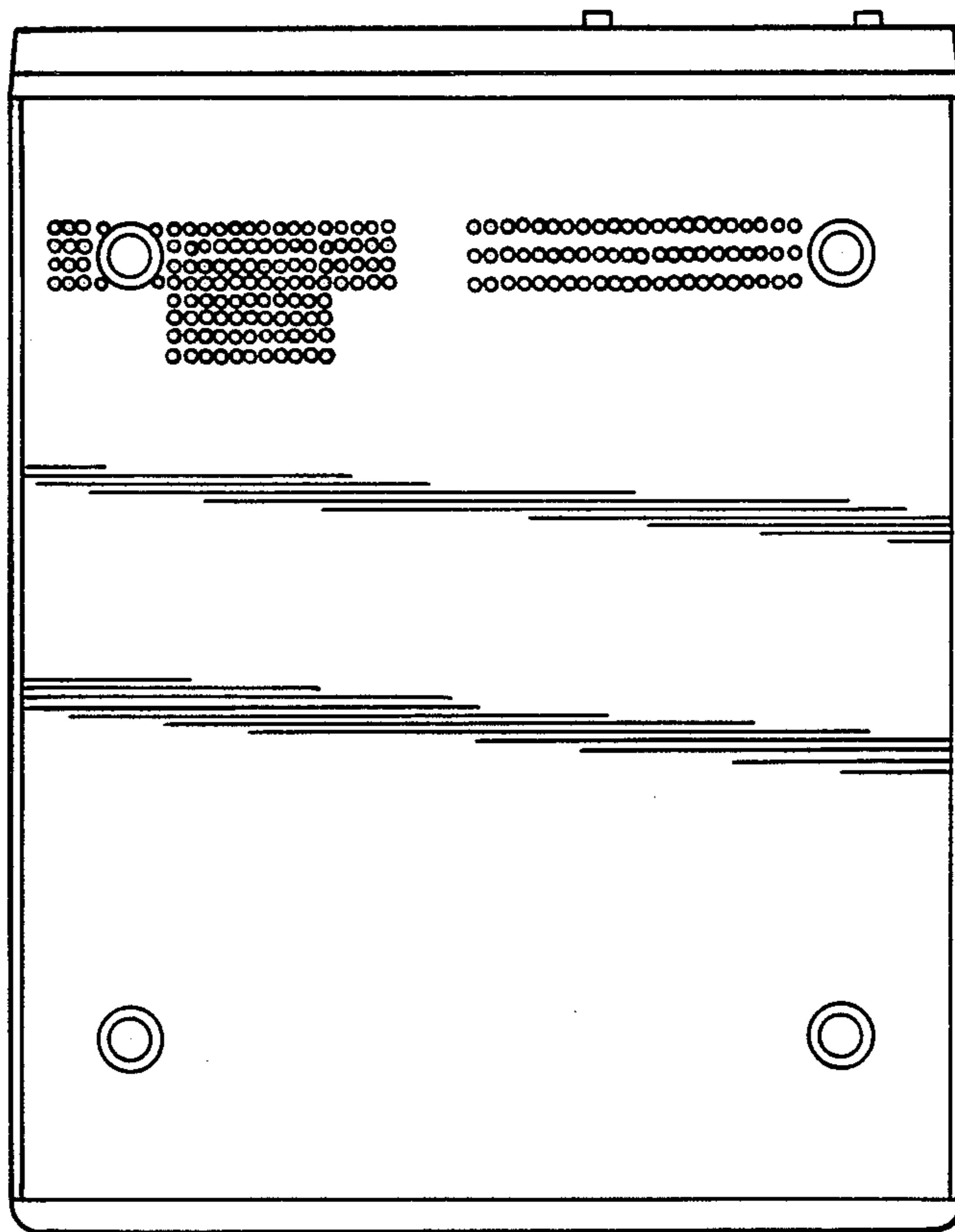


FIG. 5

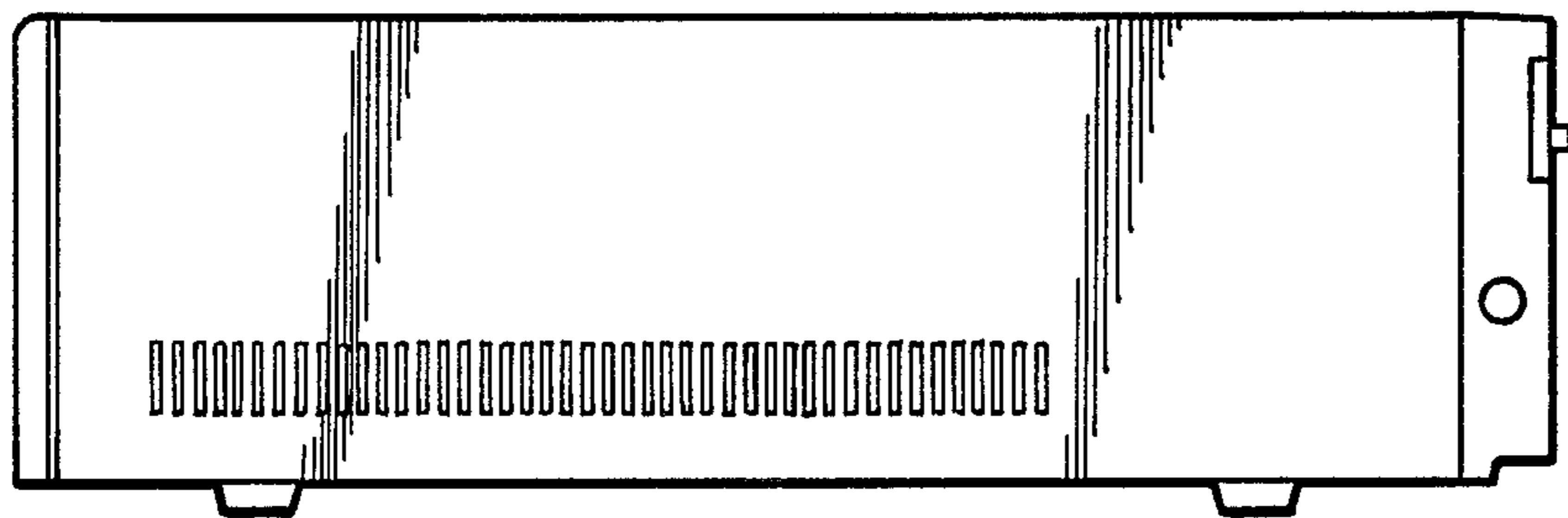


FIG. 6

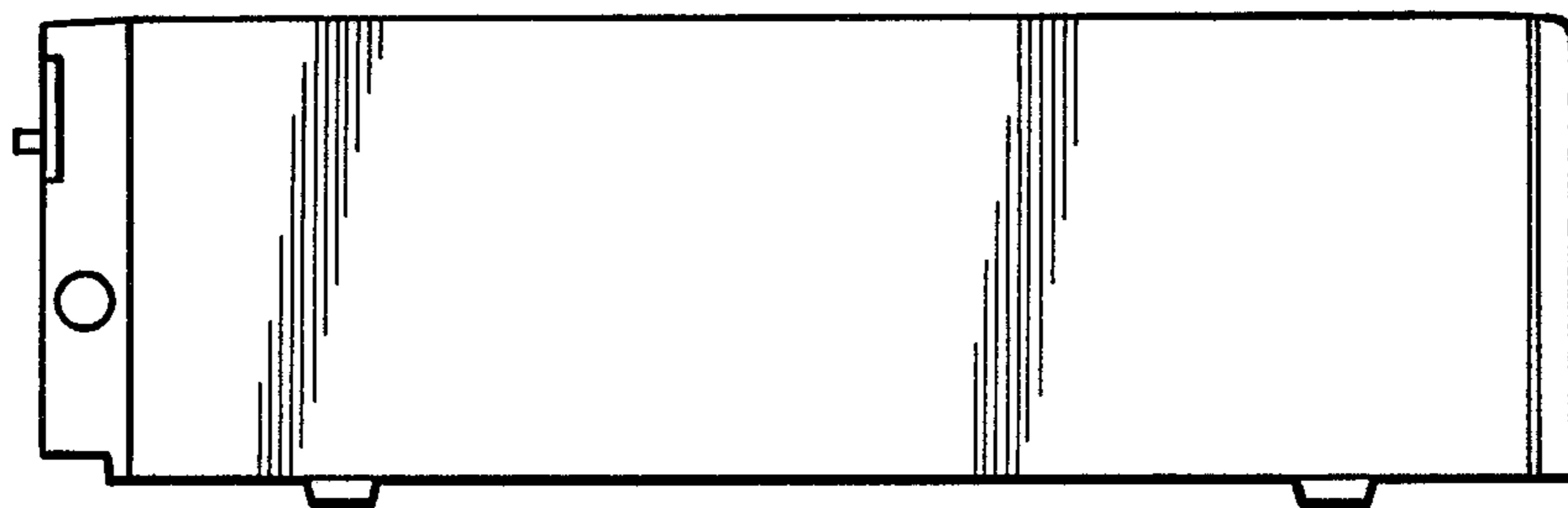


FIG. 7