

United States Patent [19]

Mayo et al.

[11] Patent Number: Des. 311,170

[45] Date of Patent: ** Oct. 9, 1990

[54] WALL MOUNTED POWER CONTROL PANEL

[75] Inventors: Noel Mayo, Philadelphia; Zalman A. Liss, Allentown; Joel S. Spira, Coopersburg, all of Pa.

[73] Assignee: Lutron Electronics Co., Inc., Coopersburg, Pa.

[**] Term: 14 Years

[21] Appl. No.: 182,076

[22] Filed: Apr. 14, 1988

[52] U.S. Cl. D13/164; D13/125

[58] Field of Search D13/11, 12, 19, 32, D13/35, 40, 41, 99, 38, 110, 123, 158, 170, 184, 199; D14/100, 159, 241; D15/138; D18/22; D24/8; D6/443, 447; D8/350; 315/295; 364/513; 361/42, 331-334, 346; 118/671; 232/24, 31; D10/50

[56] References Cited

U.S. PATENT DOCUMENTS

D. 273,954 5/1984 Bee D14/241

D. 285,066 8/1986 Liss et al. D13/35
D. 287,242 12/1986 Liss et al. D13/35
D. 291,974 9/1987 Fenne D10/50
3,060,347 10/1962 Burski 315/295
4,575,660 3/1986 Zaharchuk et al. 315/295

Primary Examiner—Susan J. Lucas
Assistant Examiner—Joel Sincavage
Attorney, Agent, or Firm—Ostrolenk, Faber, Gerb & Soffen

[57] CLAIM

The ornamental design for a wall mounted power control, as shown and described.

DESCRIPTION

FIG. 1 is a front elevational view of a wall box mounted power control showing our new design with the front cover in its open position.

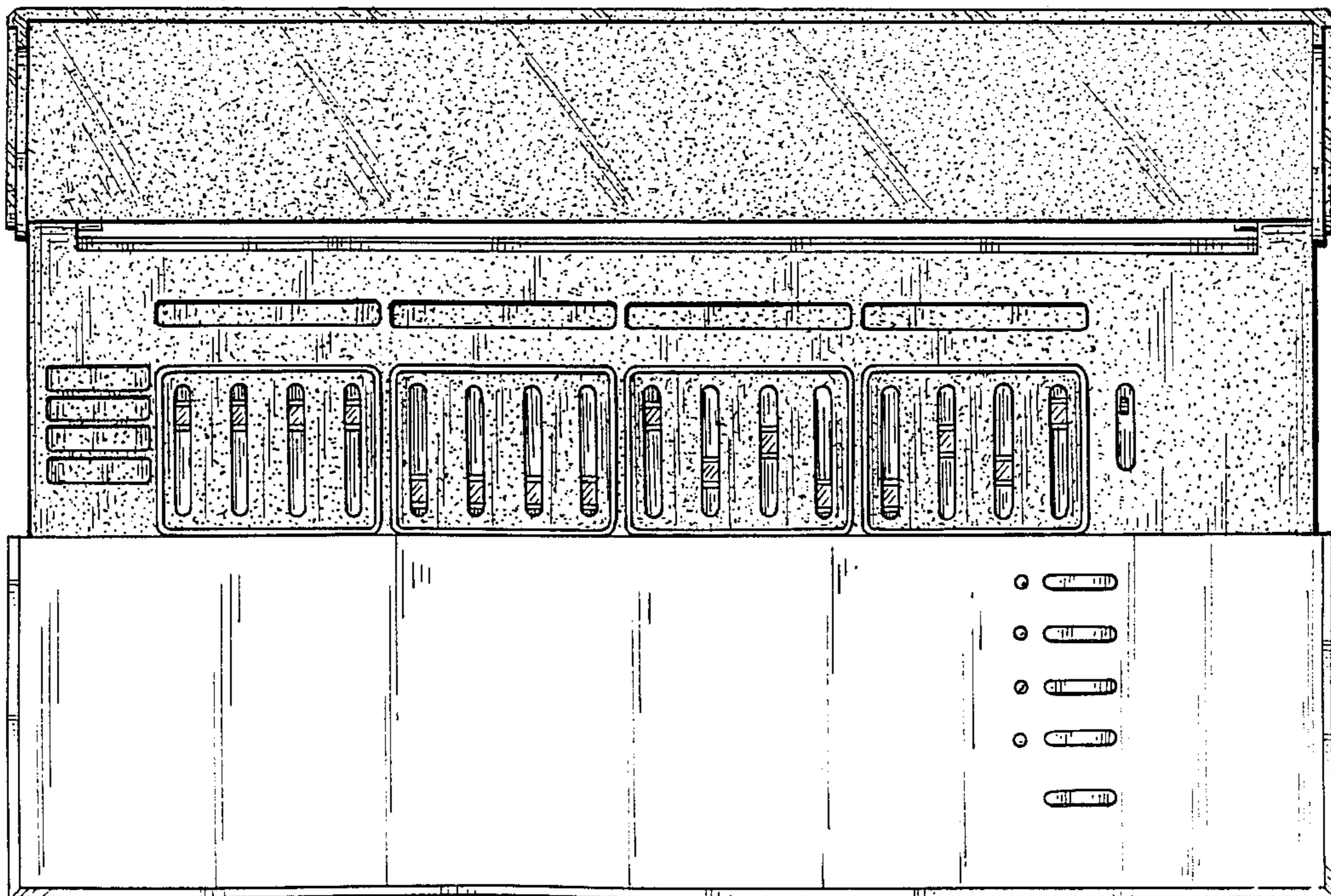
FIG. 2 is a right-hand elevational view thereof.

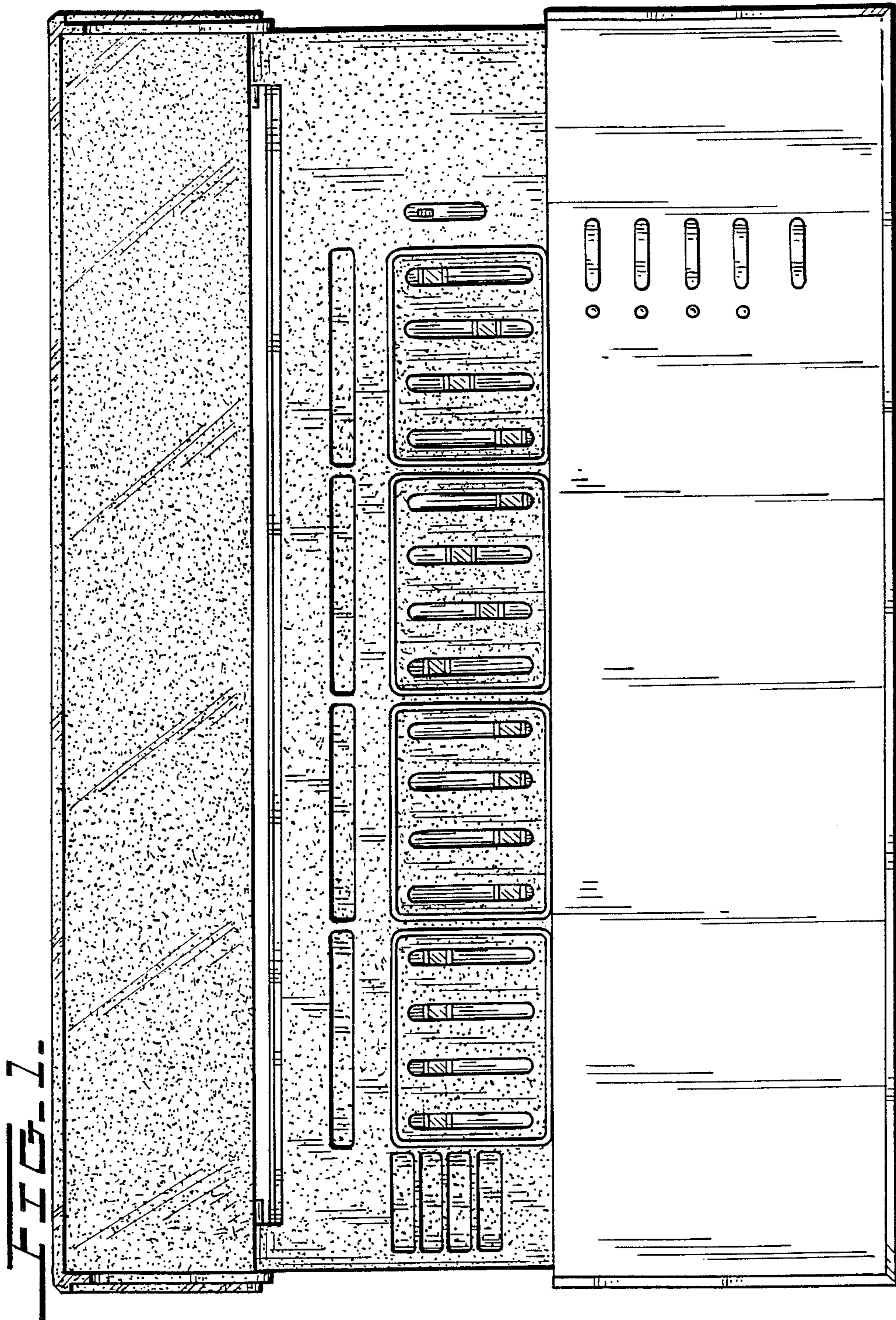
FIG. 3 is a left-hand elevational view thereof.

FIG. 4 is a top plan view thereof.

FIG. 5 is a bottom plan view thereof.

FIG. 6 is a rear elevational view thereof. The portions of the drawing disclosure shown in broken lines are for illustration only and form no part of the claimed design.





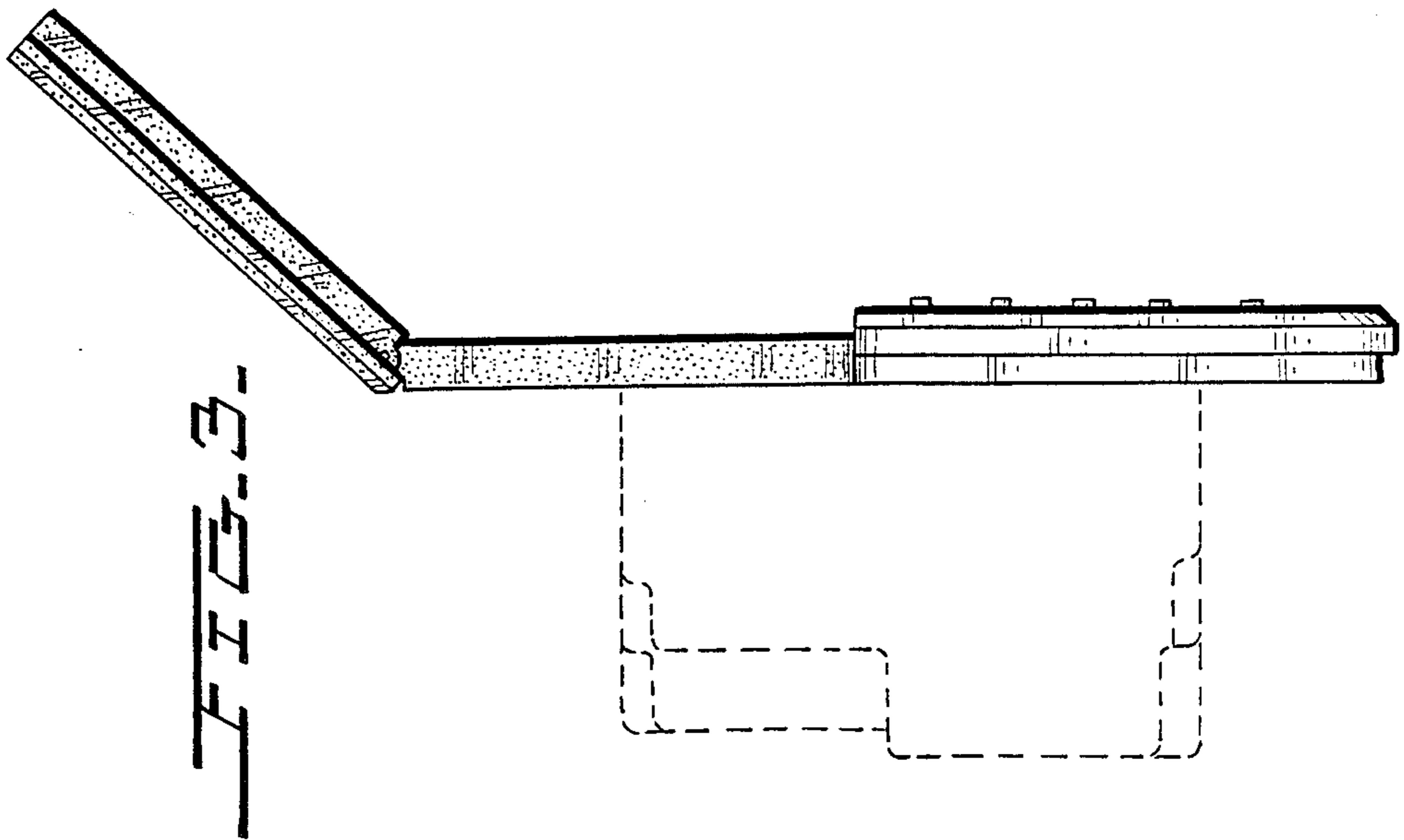
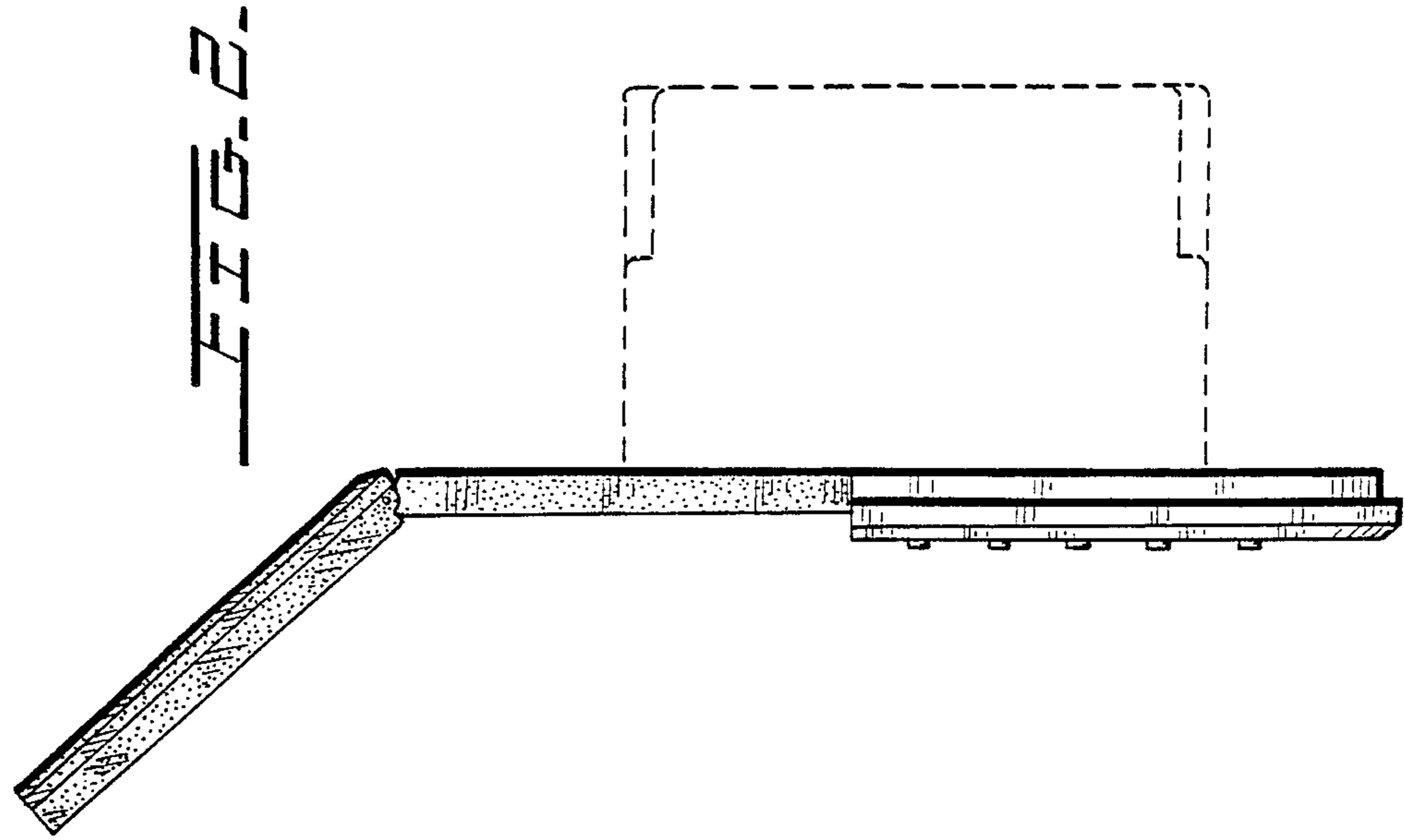


FIG. 4

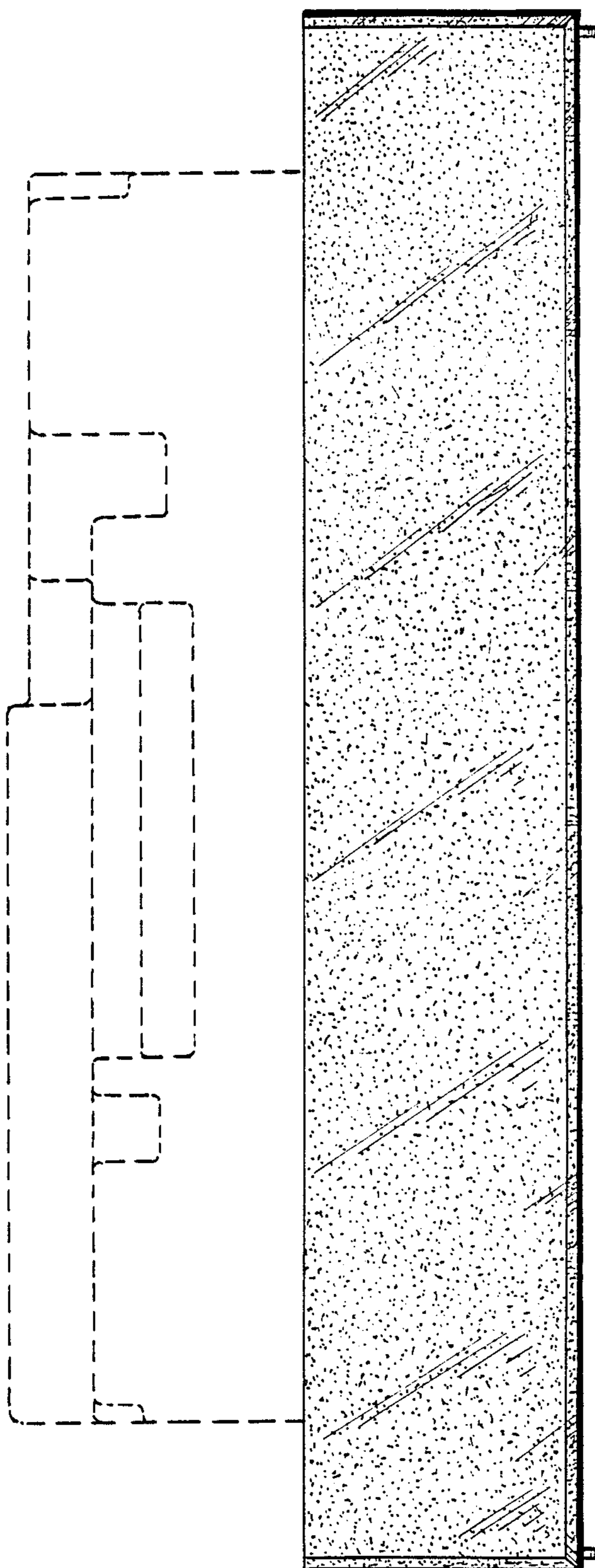


FIG. 5.

