

[54] AUTOMOBILE PEDAL

[75] Inventor: Shinichi Asano, Tokyo, Japan

[73] Assignee: Car Mate Manufacturing Company Limited, Tokyo, Japan

[**] Term: 14 Years

[21] Appl. No.: 107,525

[22] Filed: Oct. 9, 1987

[30] Foreign Application Priority Data

Apr. 17, 1987 [JP] Japan 62-15076

[52] U.S. Cl. D12/174

[58] Field of Search D12/174; 74/560, 562, 74/563

[56] References Cited

PUBLICATIONS

J. C. Whitney Catalog No. 480J, p. 17, Racine Style

Non-Slip Pedal Pad A, second box down from top center of page.

Primary Examiner—James M. Gandy
Attorney, Agent, or Firm—Koda & Androlia

[57] CLAIM

The ornamental design for an automobile pedal, as shown.

DESCRIPTION

FIG. 1 is a front elevational view of an automobile pedal showing my new design;
FIG. 2 is a rear elevational view thereof;
FIG. 3 is a left side elevational view thereof;
FIG. 4 is a right side elevational view thereof;
FIG. 5 is a top plan view thereof;
FIG. 6 is a bottom plan view thereof; and
FIG. 7 is a cross sectional view taken long the line 7—7 of FIG. 1.

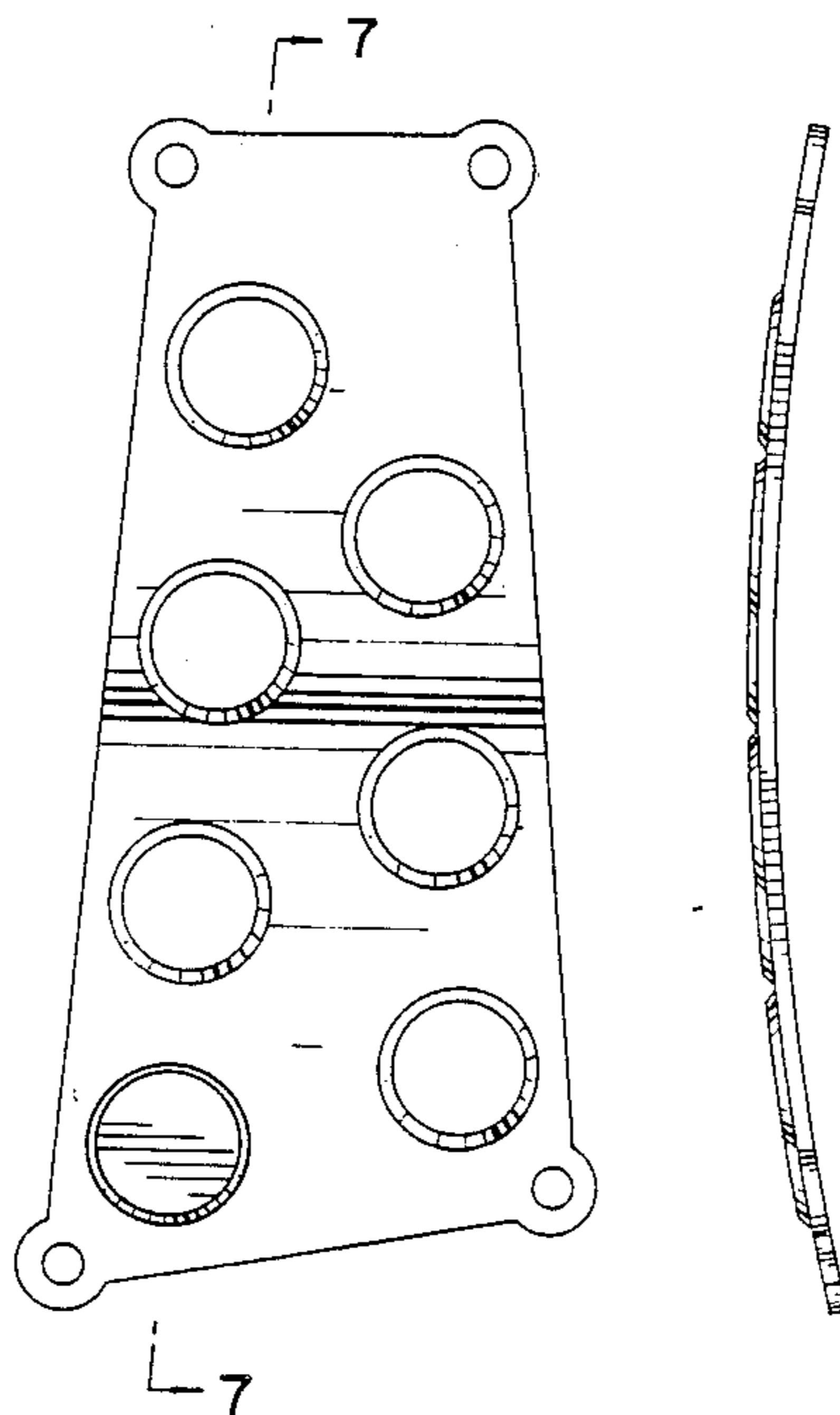


FIG. 6

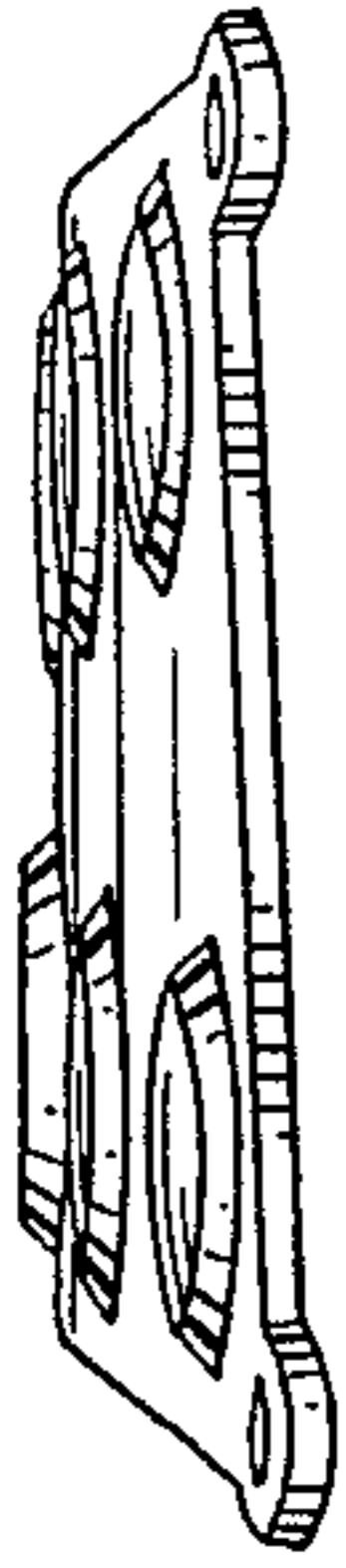


FIG. 5

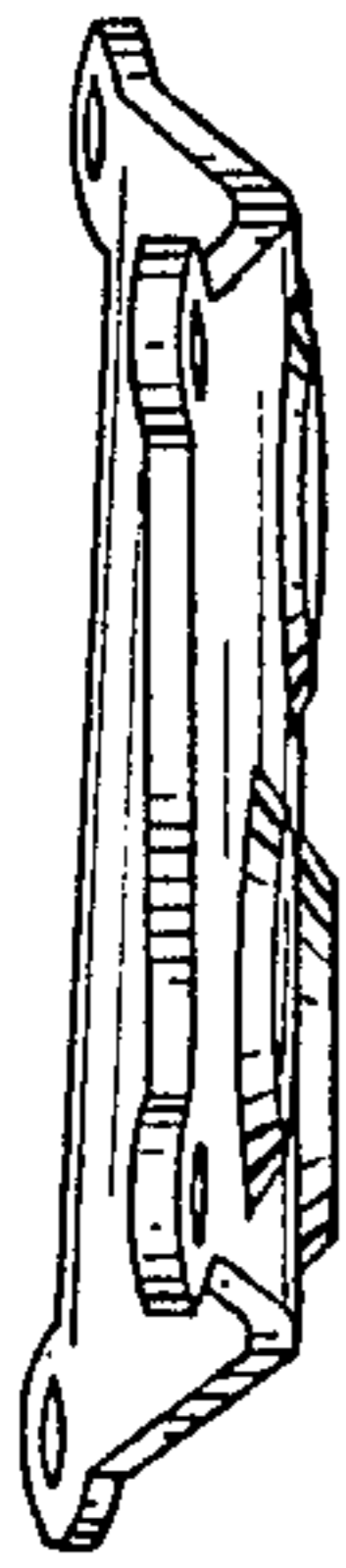


FIG. 1

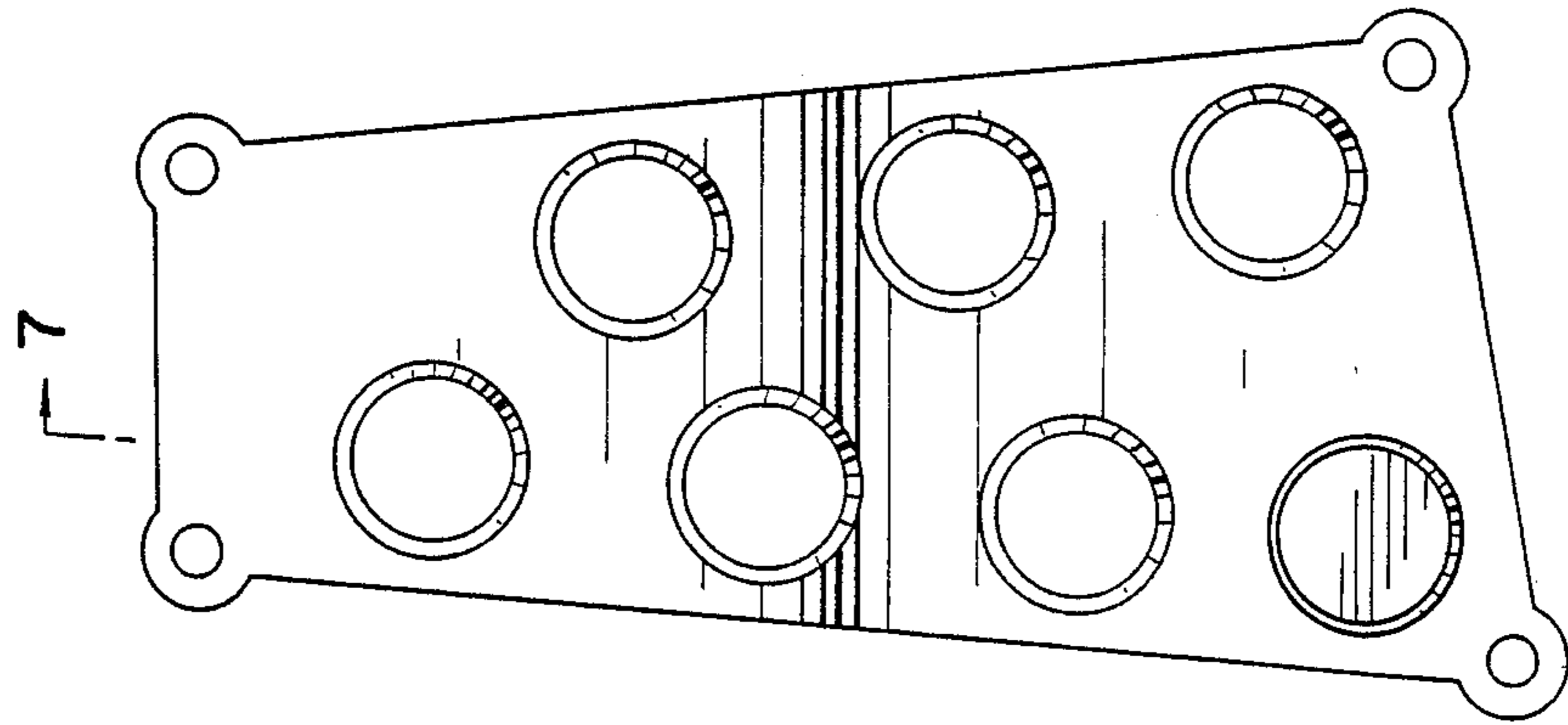


FIG. 3



FIG. 4



FIG. 2

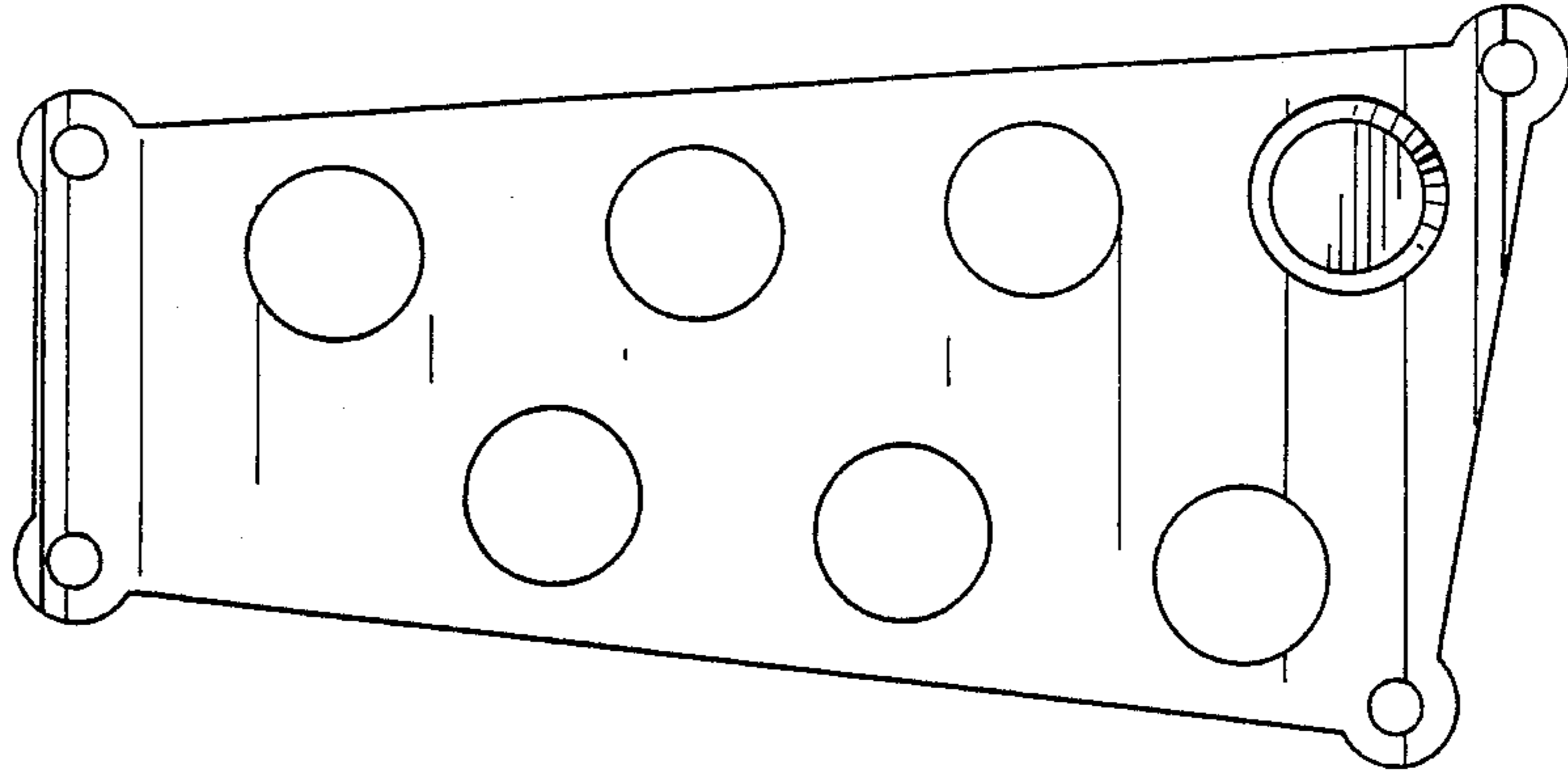


FIG. 7

