

[54] **CHILD CARRIER**

[76] **Inventor: John R. Wright, 126 S. Clark, Tempe, Ariz. 85281**

[\*\*] **Term: 14 Years**

[21] **Appl. No.: 162,470**

[22] **Filed: Mar. 1, 1988**

[52] **U.S. Cl. .... D12/129; D6/361**

[58] **Field of Search .... D12/128, 131, 129; D6/361; 280/642, 650, 658, 47.4, 647, 643, 644**

[56] **References Cited**

**U.S. PATENT DOCUMENTS**

D. 145,655	10/1946	Brantz	.....	D12/131
D. 299,326	1/1989	Bernstein	.....	D12/131
2,534,539	12/1950	Topper	.....	D12/129
4,763,911	8/1988	Gebhard et al.	.....	D12/129

*Primary Examiner*—Wallace R. Burke

*Assistant Examiner*—Kay H. Chin  
*Attorney, Agent, or Firm*—Richard Bushnell, Trexler, Bushnell, Giangiorgi & Blackstone, Ltd.

[57] **CLAIM**

The ornamental design for a child carrier, as shown and described.

**DESCRIPTION**

FIG. 1 is a front perspective view of a child carrier showing my new design;

FIG. 2 is a right side elevational view thereof, the left side being a mirror image of that shown;

FIG. 3 is a top plan view thereof;

FIG. 4 is a bottom plan view thereof;

FIG. 5 is a front elevational view thereof; and

FIG. 6 is a rear elevational view thereof.

The broken line illustration of wheels shown in FIGS. 1 through 6 are for illustrative purposes only and form no part of the claimed design.

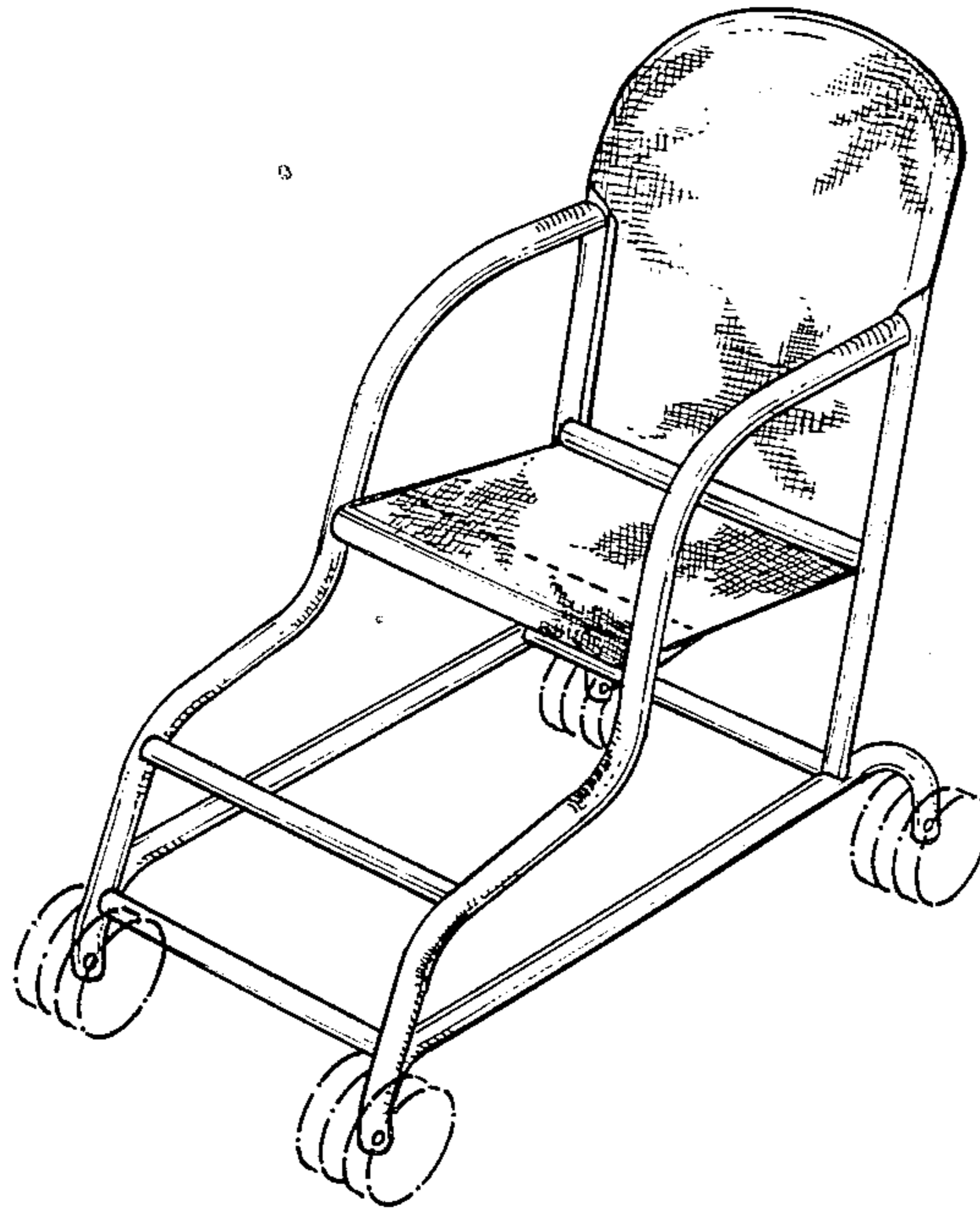


FIG. 1

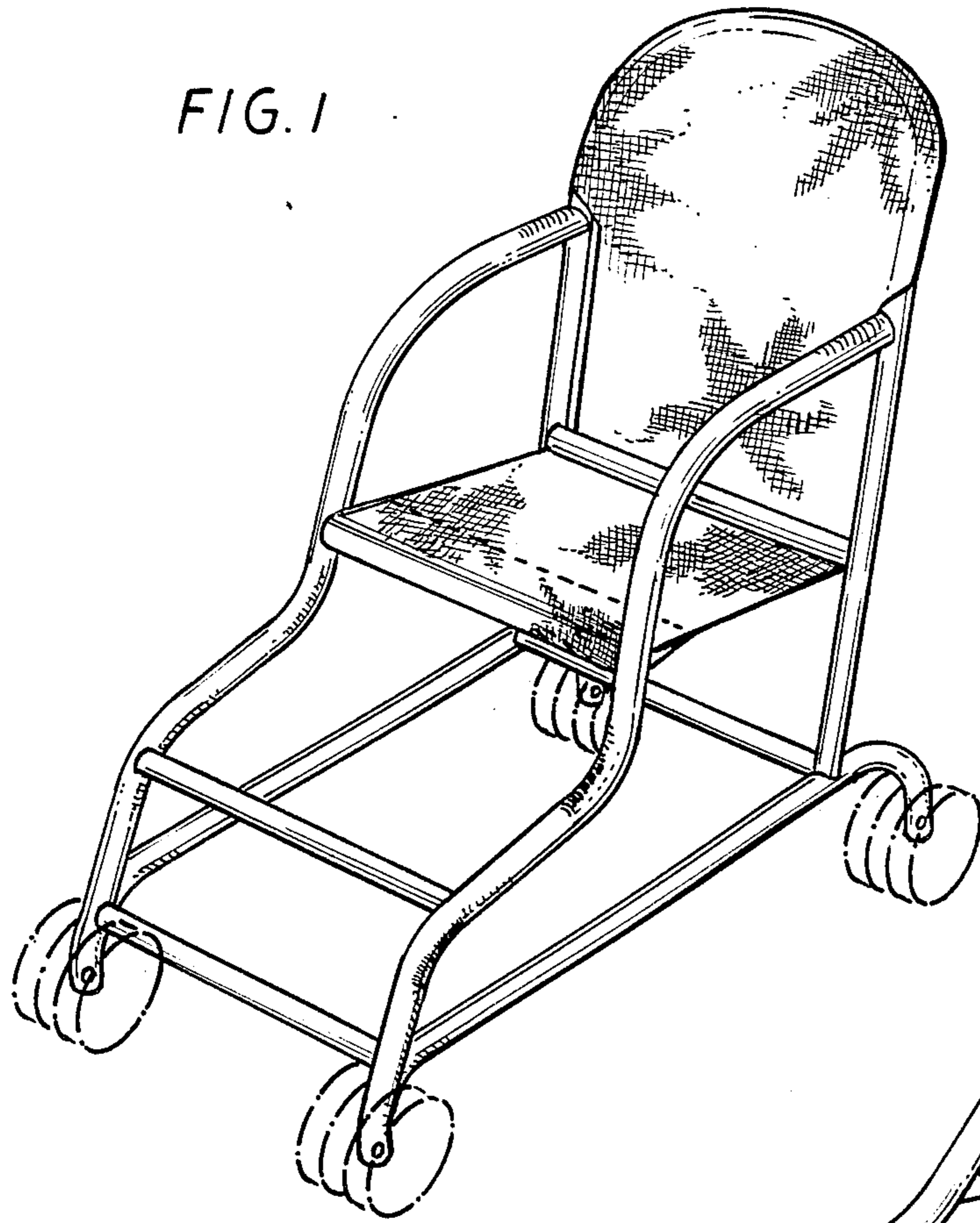


FIG. 2

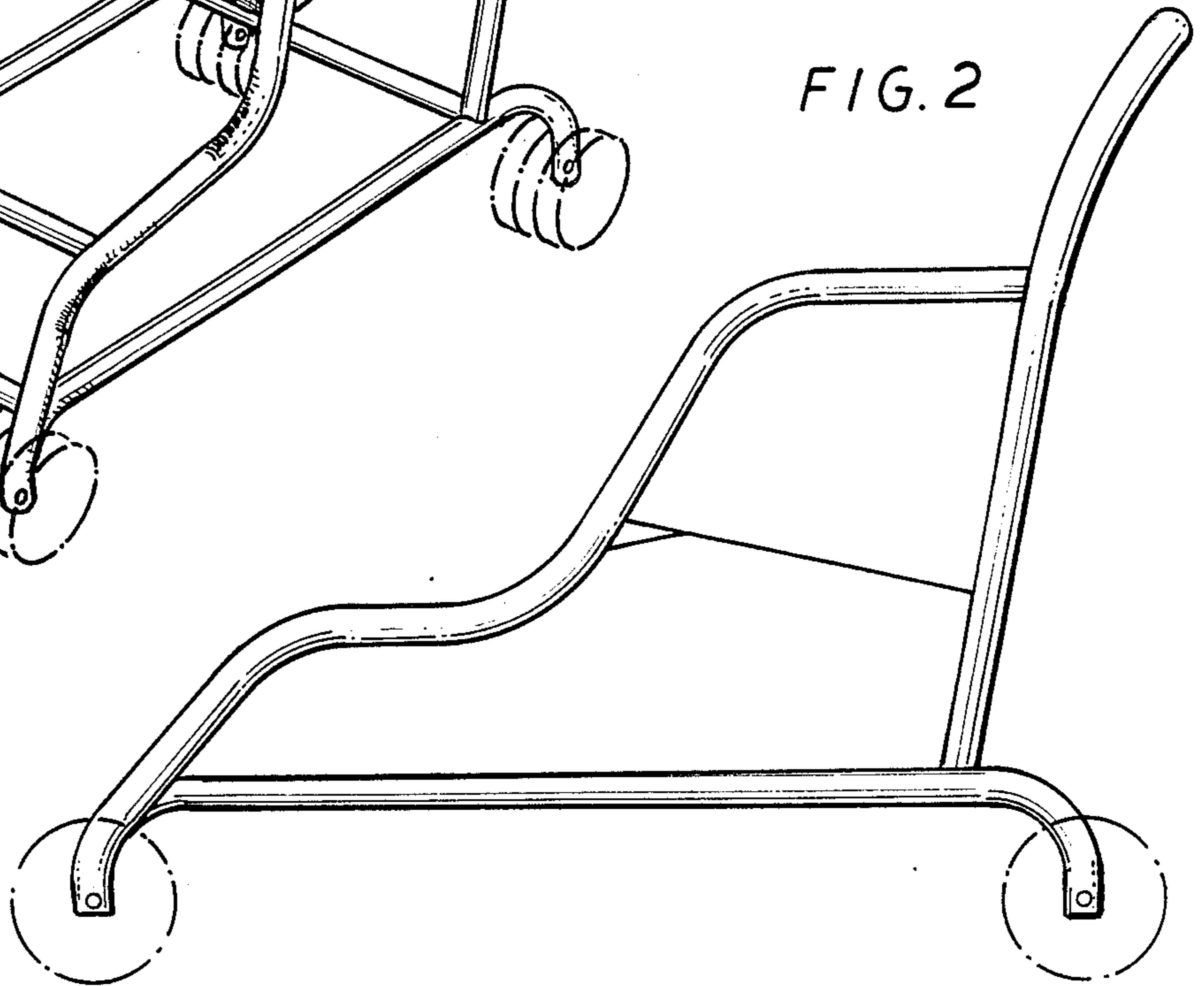


FIG. 3

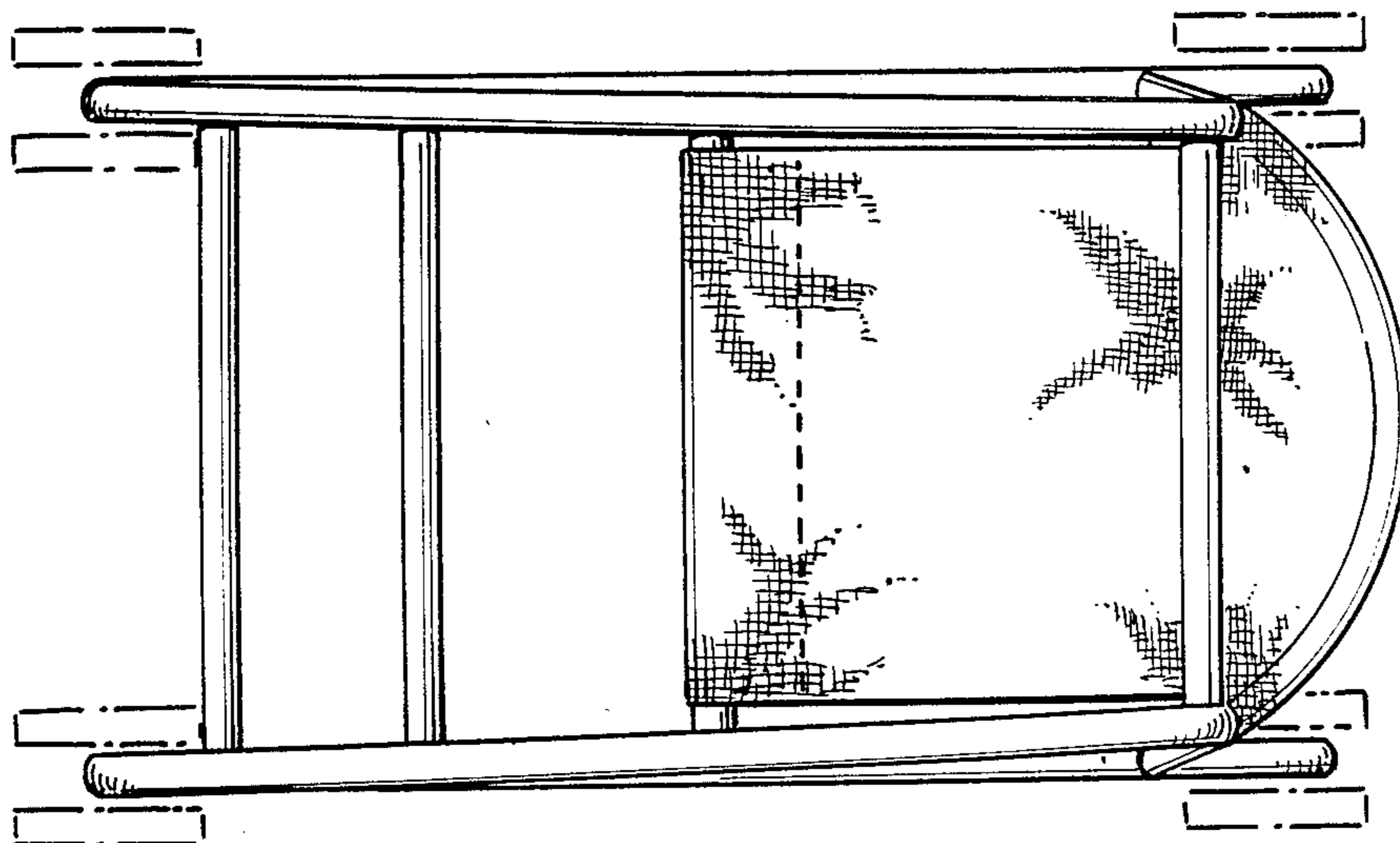


FIG. 4

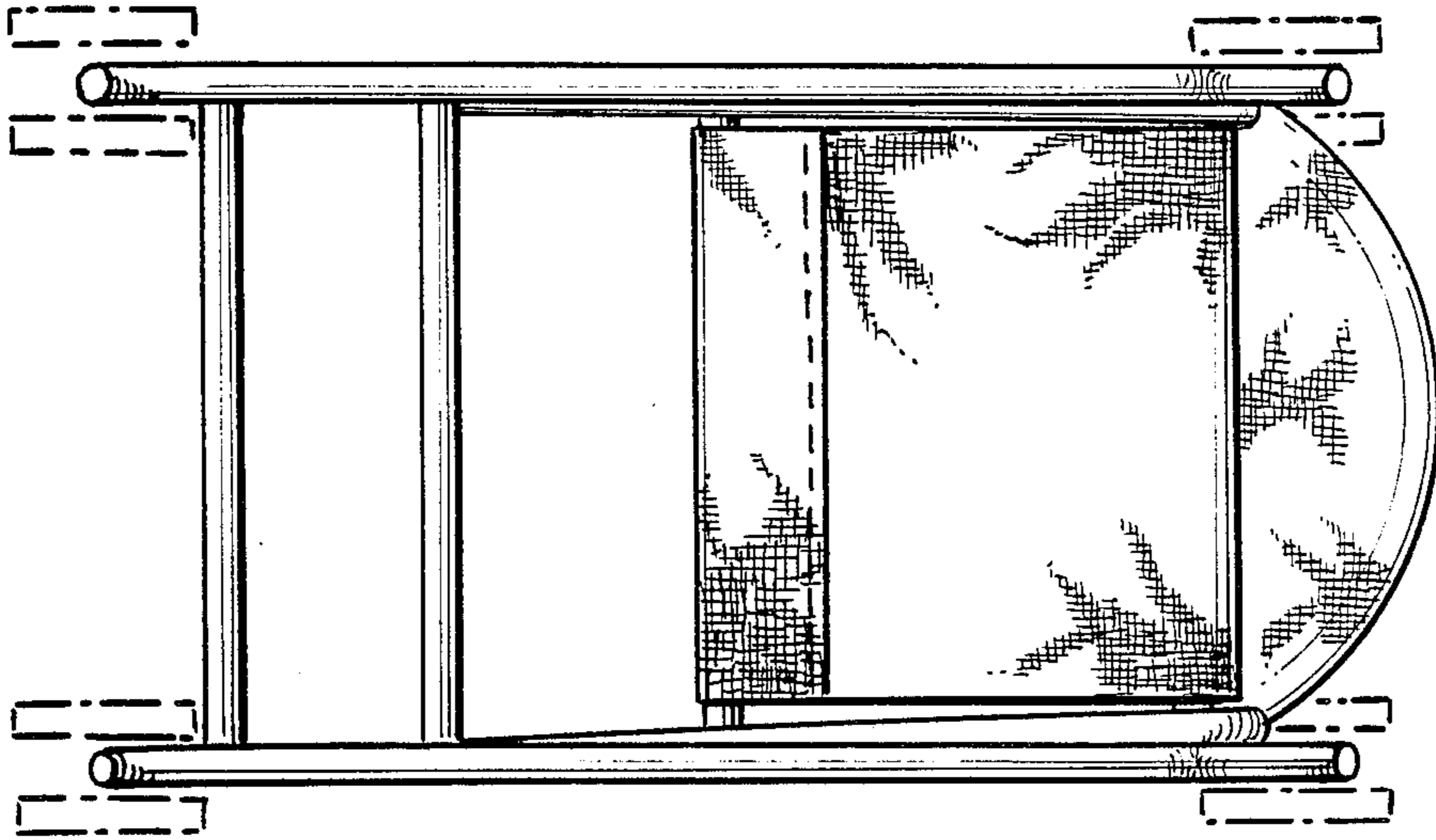


FIG. 5

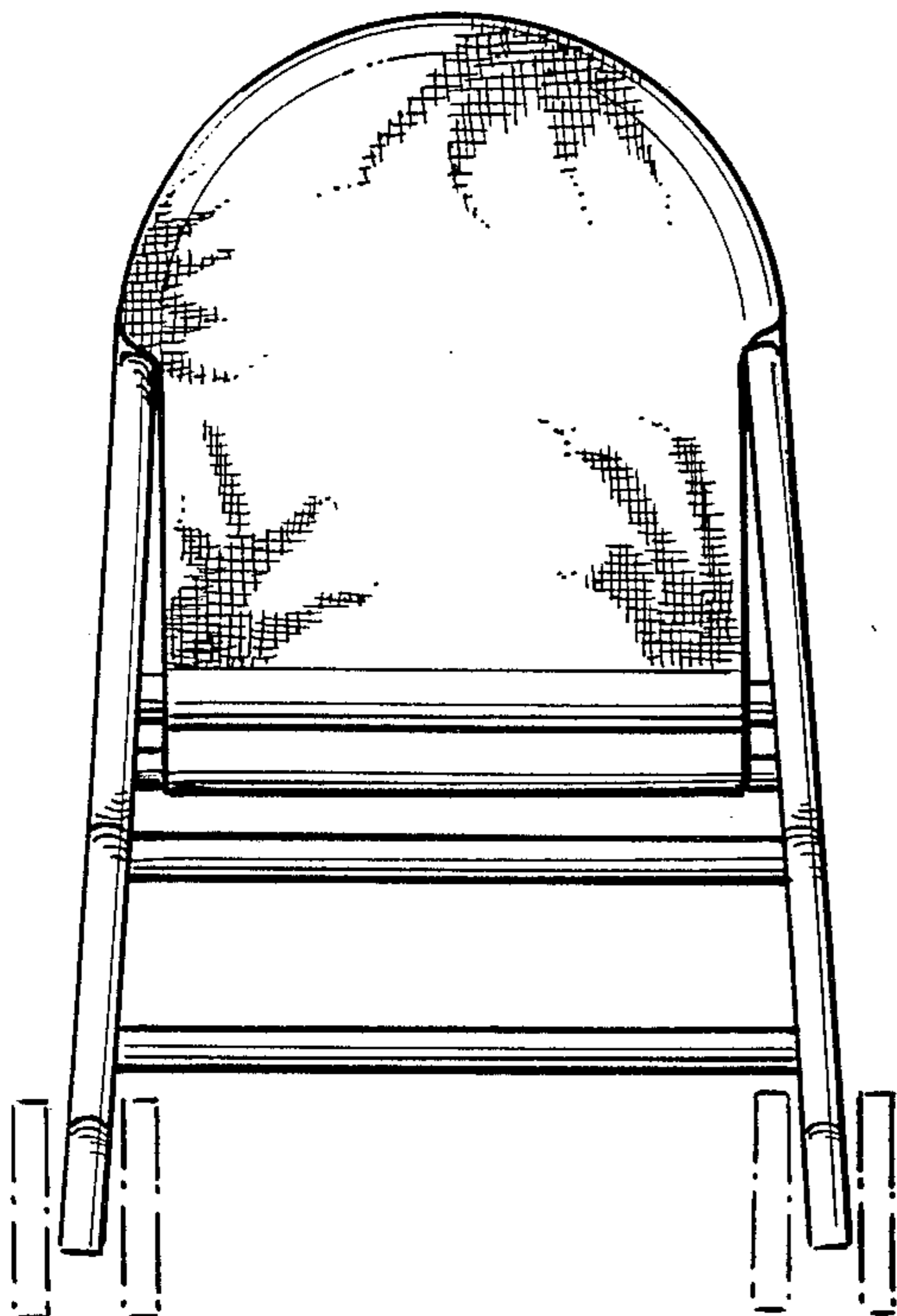


FIG. 6

