

**United States Patent** [19]  
**Shindlebower**

[11] **Patent Number: Des. 311,161**  
[45] **Date of Patent: \*\* Oct. 9, 1990**

[54] **PADDLE OR SIMILAR ARTICLE**

[76] **Inventor: Robert L. Shindlebower, 1140  
Cheyenne Rd., Birmingham, Ala.  
35215**

[\*\*] **Term: 14 Years**

[21] **Appl. No.: 174,683**

[22] **Filed: Mar. 29, 1988**

[52] **U.S. Cl. .... D12/215**

[58] **Field of Search ..... D12/215; 440/102, 107**

[56] **References Cited**

**U.S. PATENT DOCUMENTS**

D. 213,383 2/1969 Carlton ..... D12/215  
D. 213,472 3/1969 Castloo ..... D12/215  
530,519 12/1894 Harbers ..... 440/102

2,590,991 4/1952 McDonald ..... 416/72  
3,330,245 7/1967 Klabunde ..... 440/102  
4,605,378 8/1986 Hamilton ..... 440/102

**FOREIGN PATENT DOCUMENTS**

1438768 6/1976 United Kingdom ..... 440/102  
2209723 5/1989 United Kingdom ..... 440/102

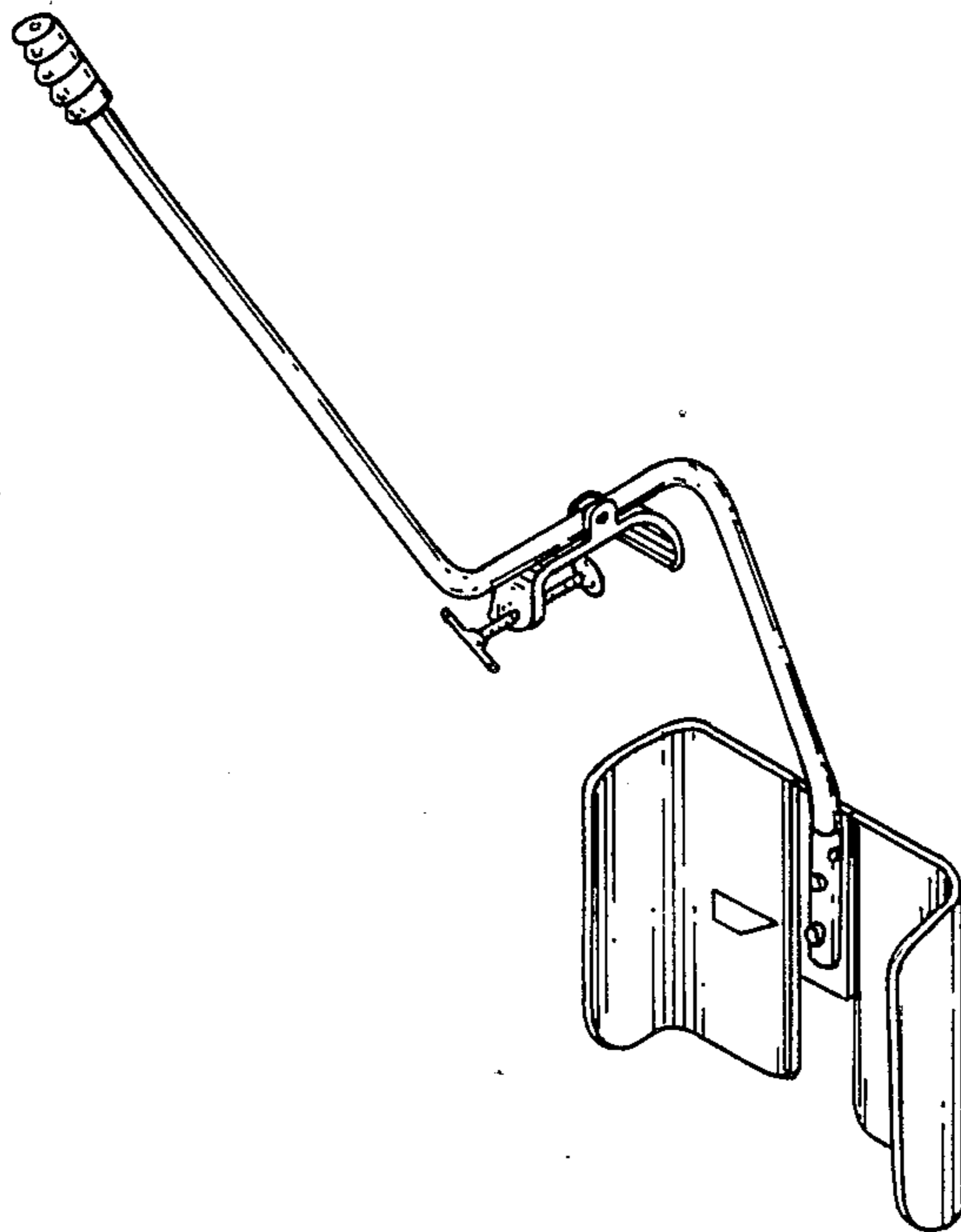
*Primary Examiner*—Kay H. Chin  
*Attorney, Agent, or Firm*—T. M. Gernstein

[57] **CLAIM**

The ornamental design for a paddle or similar article, as shown and described.

**DESCRIPTION**

FIG. 1 is a front perspective view of a paddle or similar article showing my new design; and FIG. 2 is a rear perspective view thereof.



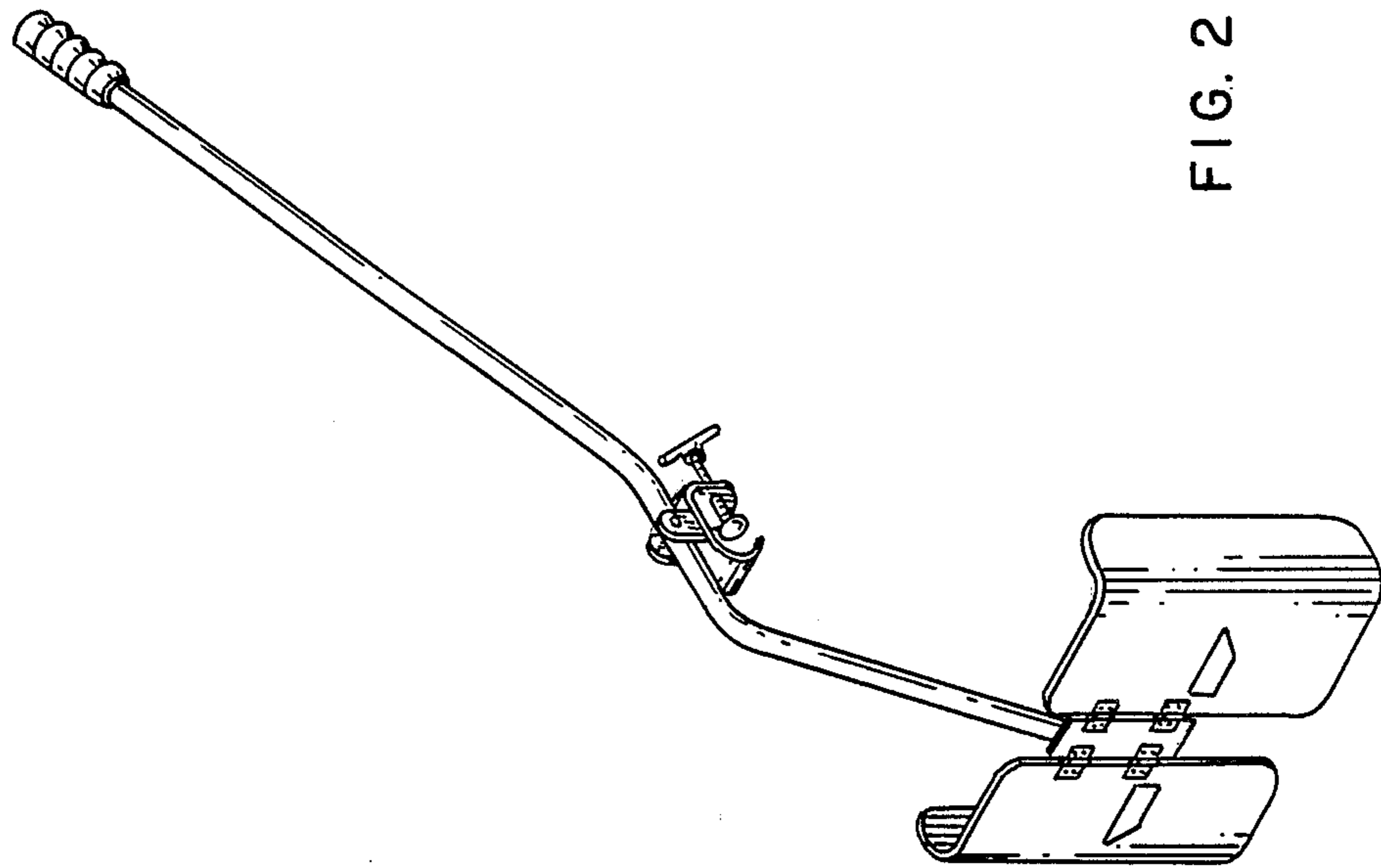


FIG. 2

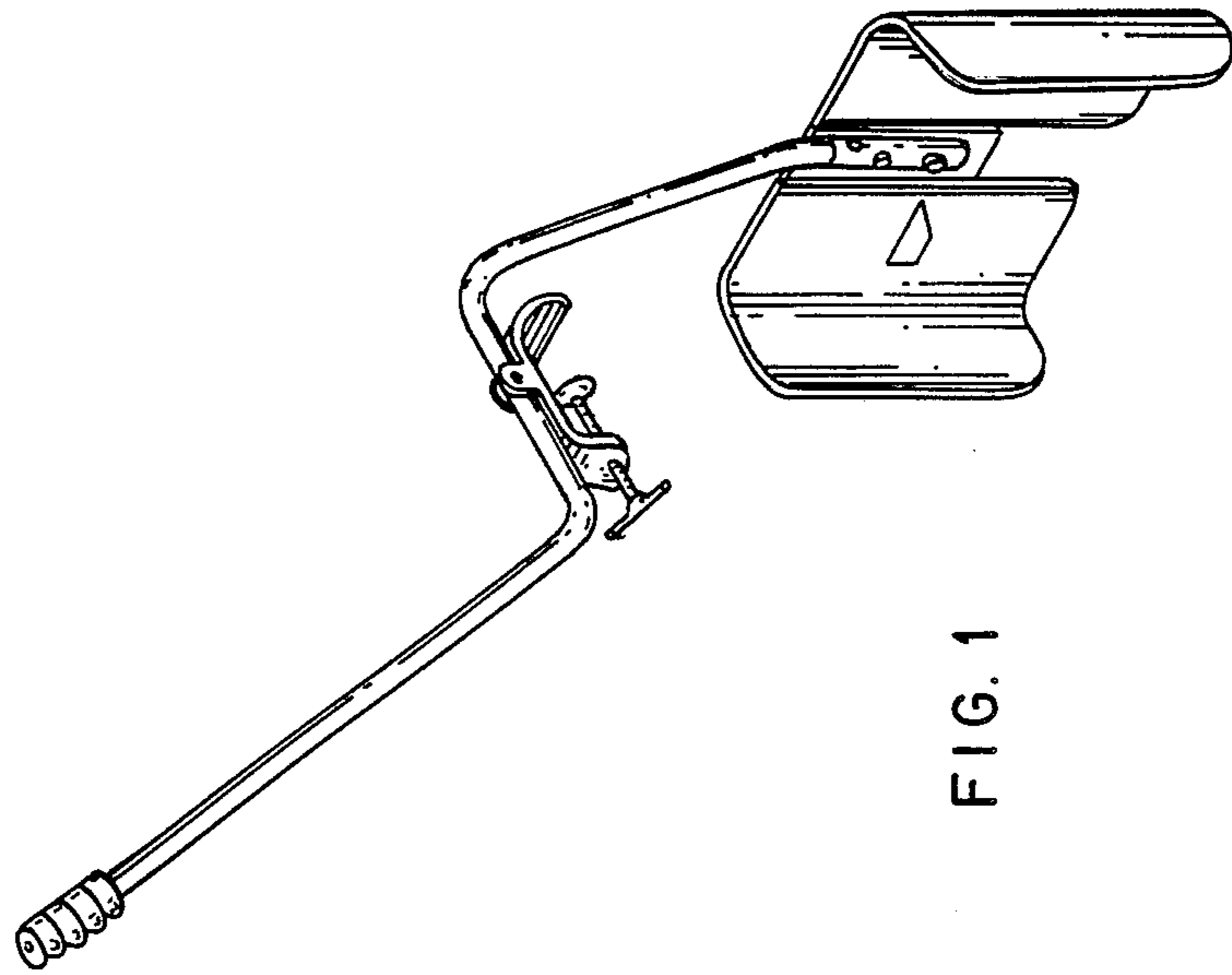


FIG. 1