

[54] **CLOCK MOVEMENT**

[75] **Inventor: Koichi Kaneko, Tokyo, Japan**

[73] **Assignee: Seikosha Co., Ltd., Japan**

[**] **Term: 14 Years**

[21] **Appl. No.: 93,898**

[22] **Filed: Sep. 4, 1987**

[30] **Foreign Application Priority Data**

Mar. 6, 1987 [JP] Japan 62-8409

[52] **U.S. Cl. D10/129**

[58] **Field of Search D10/129; 368/276-277,
368/280-282, 88, 220, 300**

[56] **References Cited**

U.S. PATENT DOCUMENTS

D. 303,227 9/1989 Hayakawa D10/129
4,829,495 5/1989 Kaneko 368/134

FOREIGN PATENT DOCUMENTS

2926272 1/1981 Fed. Rep. of Germany 368/165

Primary Examiner—Nelson C. Holtje
Attorney, Agent, or Firm—Bruce L. Adams; Van C. Wilks

[57] **CLAIM**

The ornamental design for a clock movement, as shown and described.

DESCRIPTION

FIG. 1 is a front elevational view of a clock movement showing my new design;

FIG. 2 is a rear elevational view thereof;

FIG. 3 is a top plan view thereof;

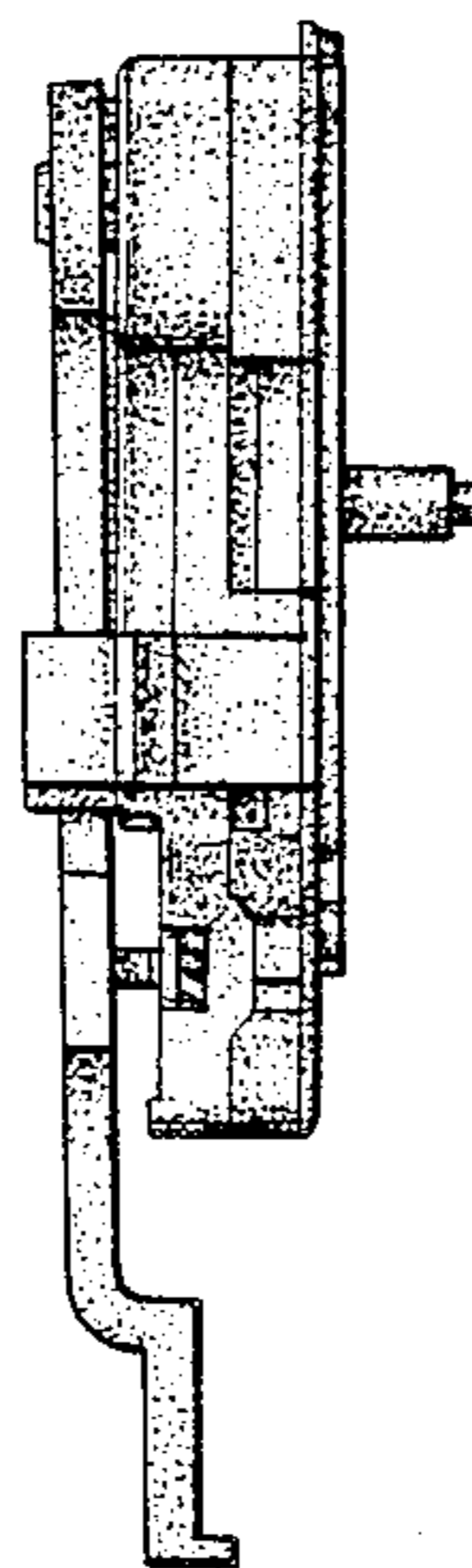
FIG. 4 is a bottom plan view thereof;

FIG. 5 is a left side elevational view thereof;

FIG. 6 is a right side elevational view thereof;

FIG. 7 is a top and right-front perspective view thereof, and

FIG. 8 is a top and left-rear perspective view thereof.



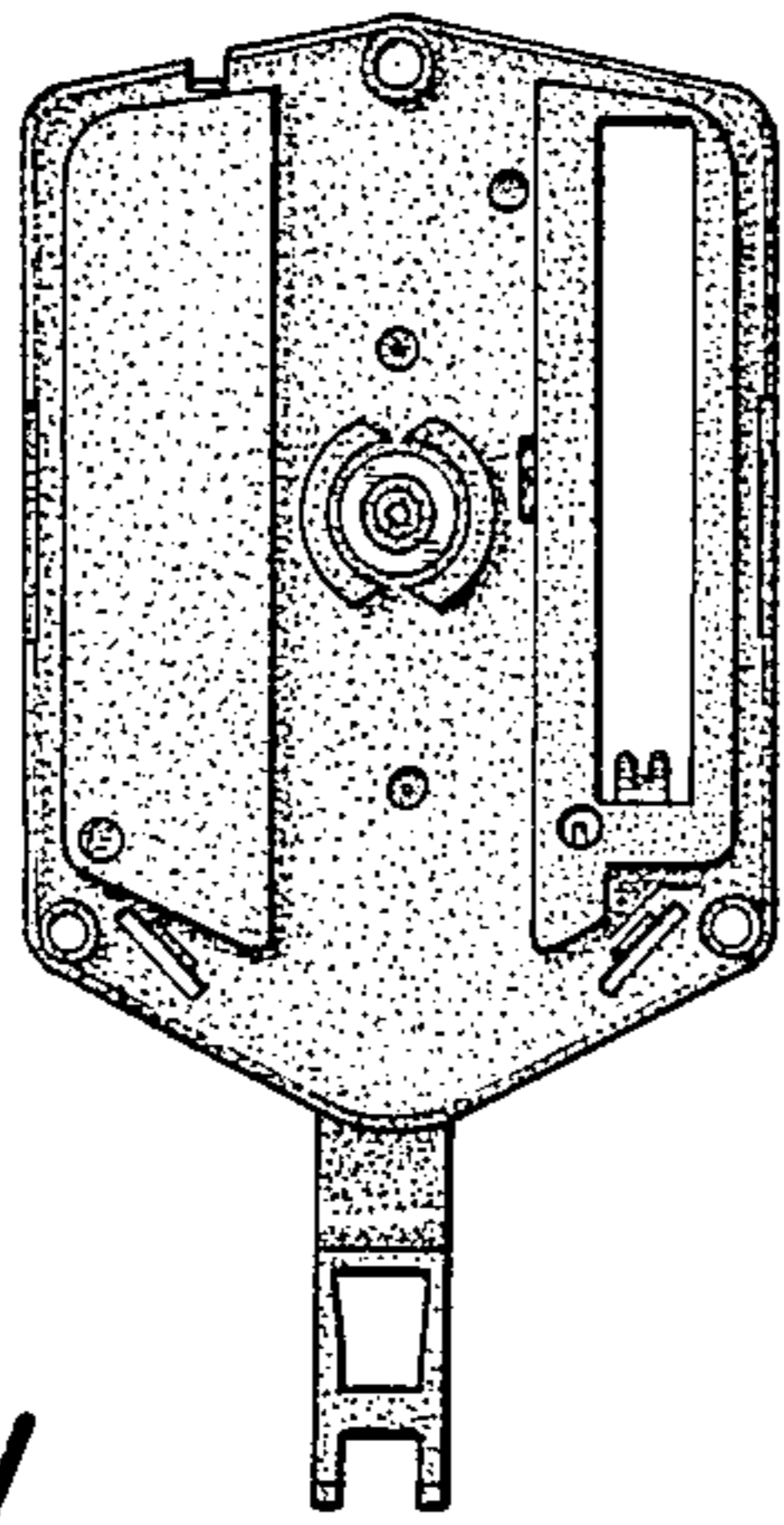


FIG. 1

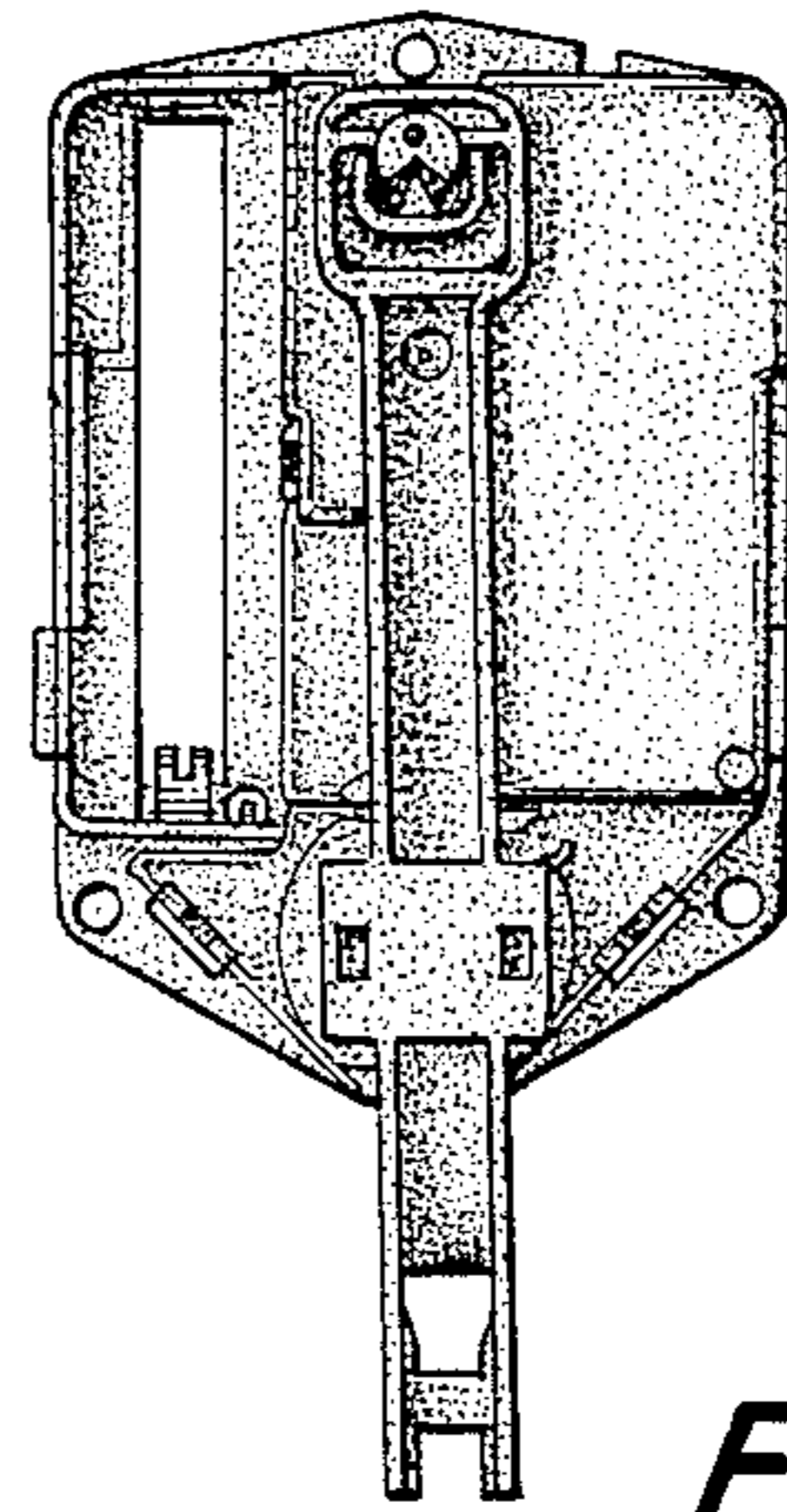


FIG. 2

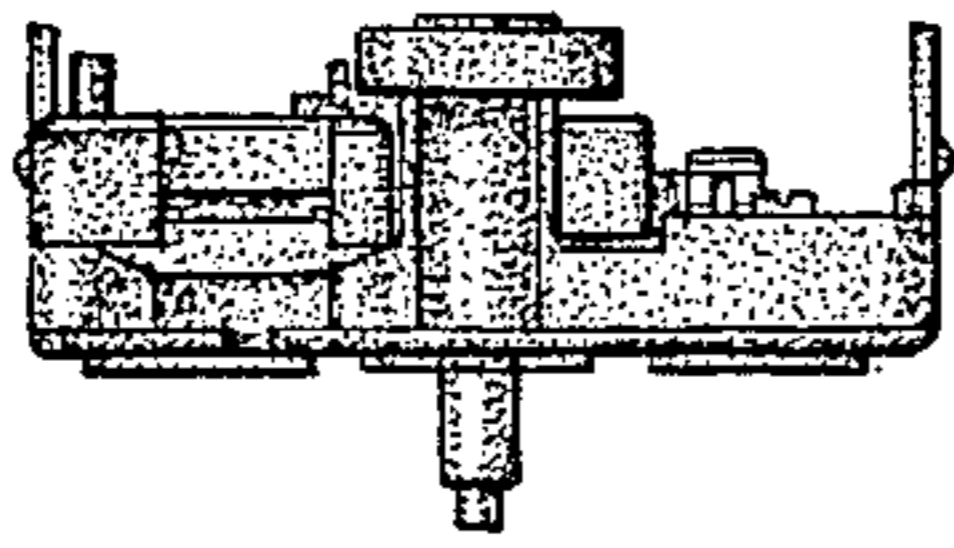


FIG. 3

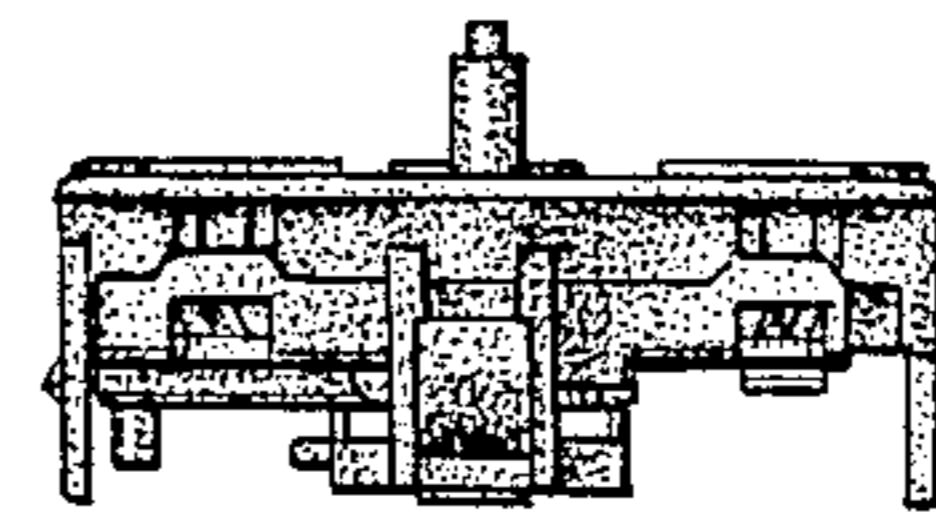


FIG. 4

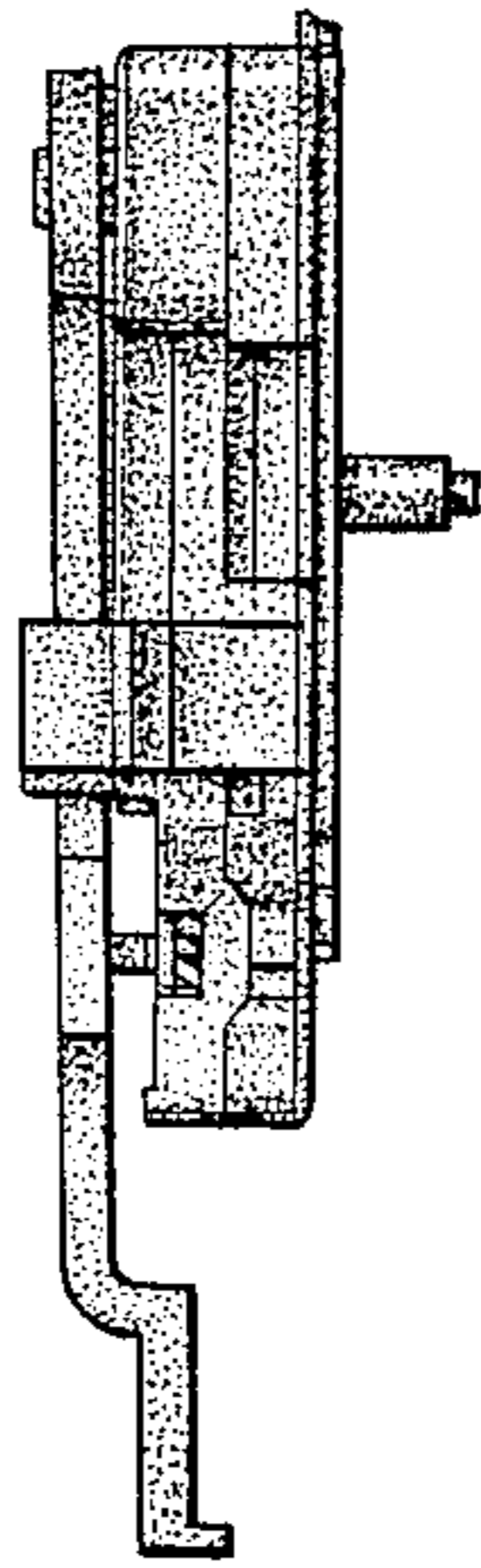


FIG. 5

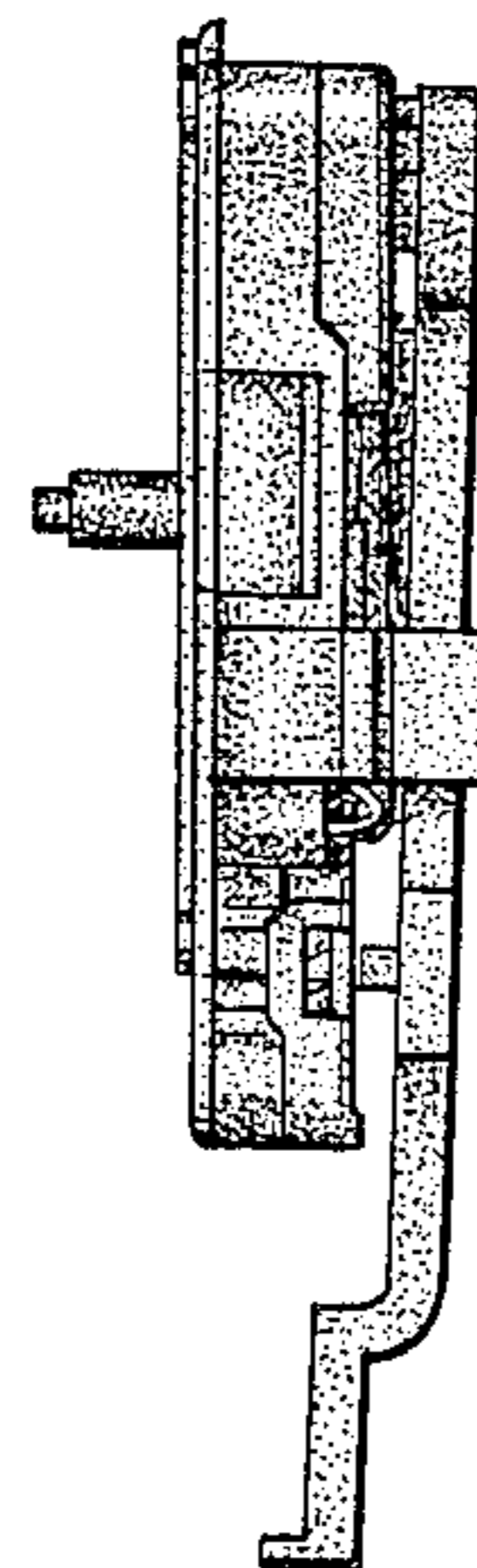


FIG. 6

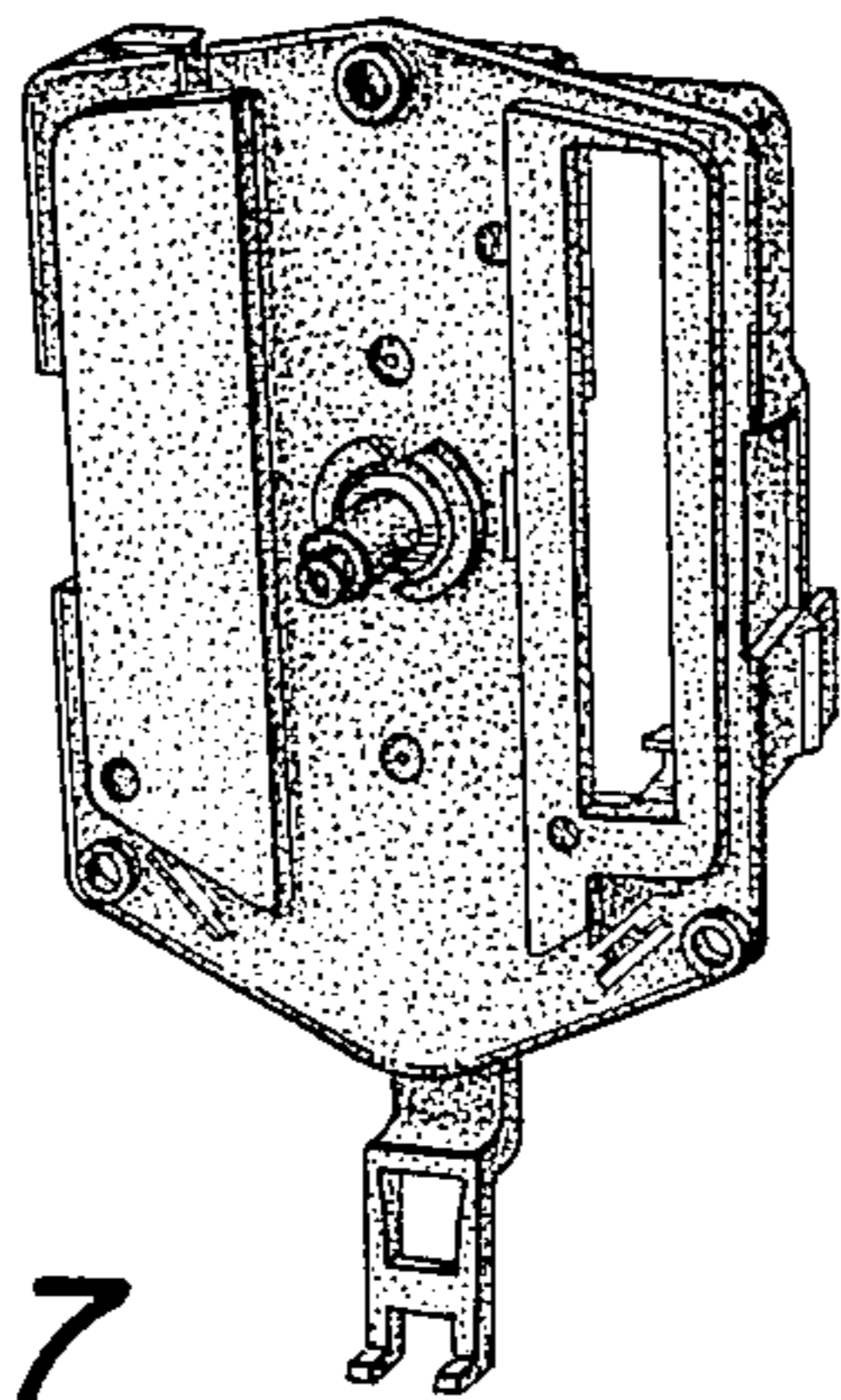


FIG. 7

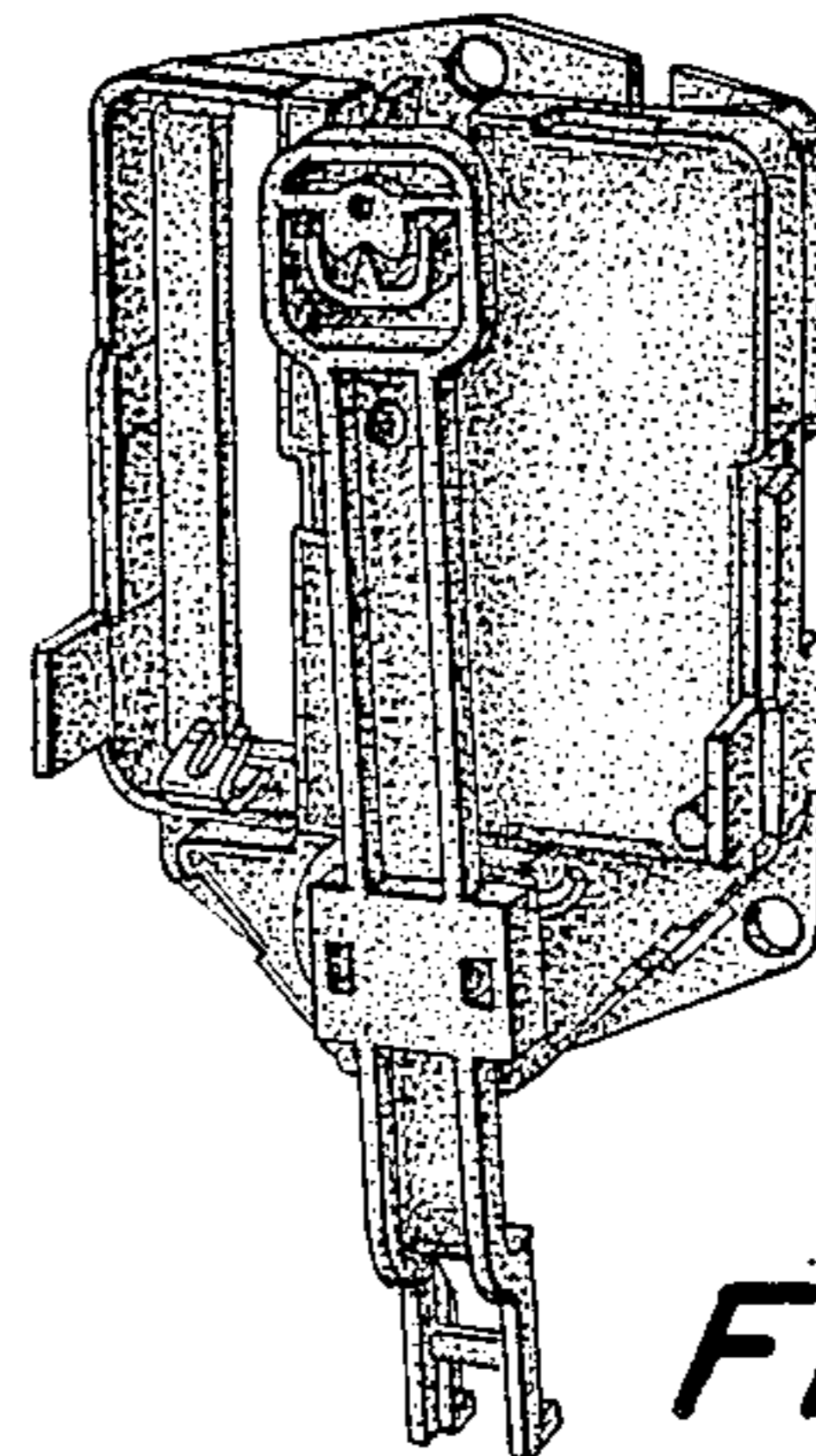


FIG. 8