

[54] COUNTER

[76] Inventor: David S. Thatcher, 6869 Kirkville Rd., East Syracuse, N.Y. 13057

[**] Term: 14 Years

[21] Appl. No.: 47,993

[22] Filed: May 11, 1987

[52] U.S. Cl. D10/97

[58] Field of Search D10/96, 97; D19/36; 235/64, 123

| | | | | | |
|-----------|---------|-------------|-------|--------|---|
| 3,064,888 | 11/1962 | Van De Mark | | 235/64 | X |
| 3,123,291 | 3/1964 | Madry | | 235/64 | |
| 3,254,836 | 6/1966 | Corpian | | 235/64 | |
| 3,617,708 | 11/1971 | Bongiovanni | | 235/64 | |
| 4,341,630 | 9/1985 | Dirks | | D19/36 | X |

Primary Examiner—Nelson C. Holtje
Assistant Examiner—Antoine D. Davis
Attorney, Agent, or Firm—Jerry T. Kearns

[57] CLAIM

The ornamental design for a counter, as shown and described.

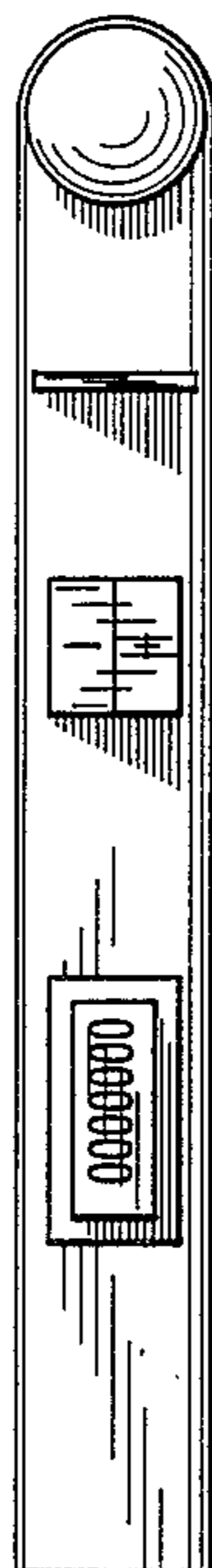
[56] References Cited

U.S. PATENT DOCUMENTS

| | | | | | |
|------------|---------|--------------|-------|--------|---|
| D. 181,467 | 11/1957 | Feddick | | D10/97 | |
| D. 224,058 | 6/1972 | Rudduck | | D10/97 | X |
| D. 253,812 | 1/1980 | Novak | | D10/97 | |
| D. 288,181 | 2/1987 | Matsubayashi | | D10/97 | |
| 416,027 | 11/1889 | Billings | | 235/64 | |
| 488,206 | 12/1892 | Jubb | | 235/64 | |
| 555,218 | 2/1896 | Matsson | | 235/64 | |

DESCRIPTION

FIG. 1 is a front elevational view of a counter showing my new design;
FIG. 2 is a rear elevational view;
FIG. 3 is a right side elevational view;
FIG. 4 is a left side elevational view;
FIG. 5 is a top plan view; and
FIG. 6 is a bottom plan view thereof.



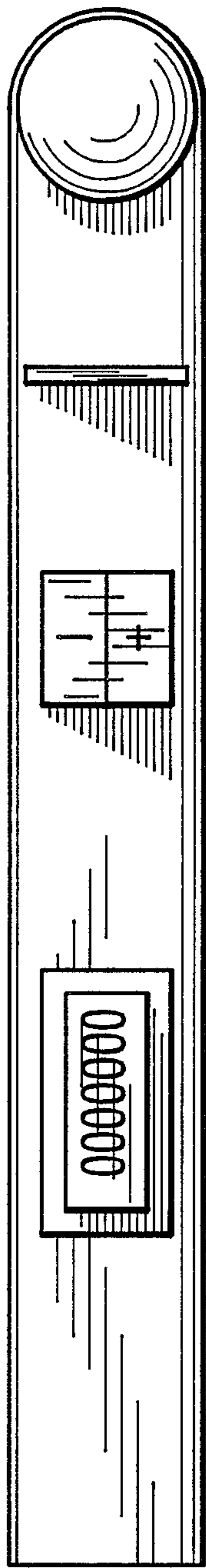


Fig. 1

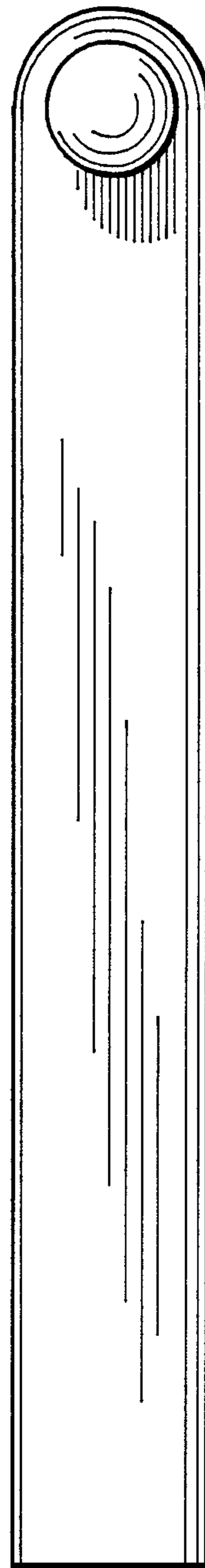


Fig. 2

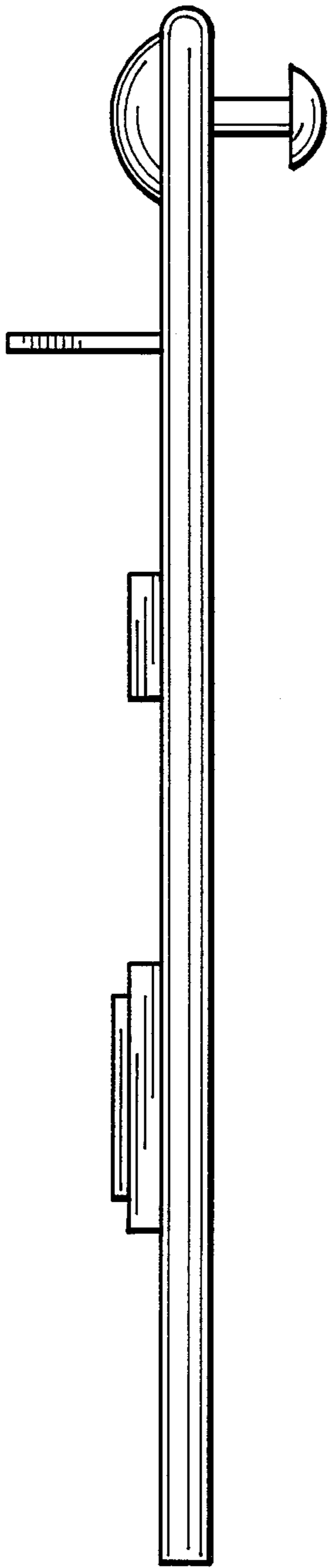


Fig. 3

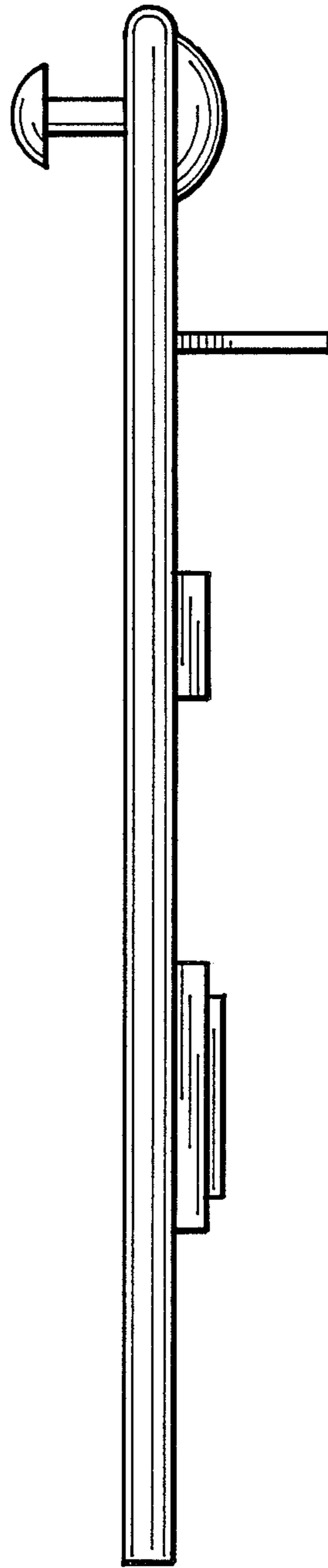


Fig. 4

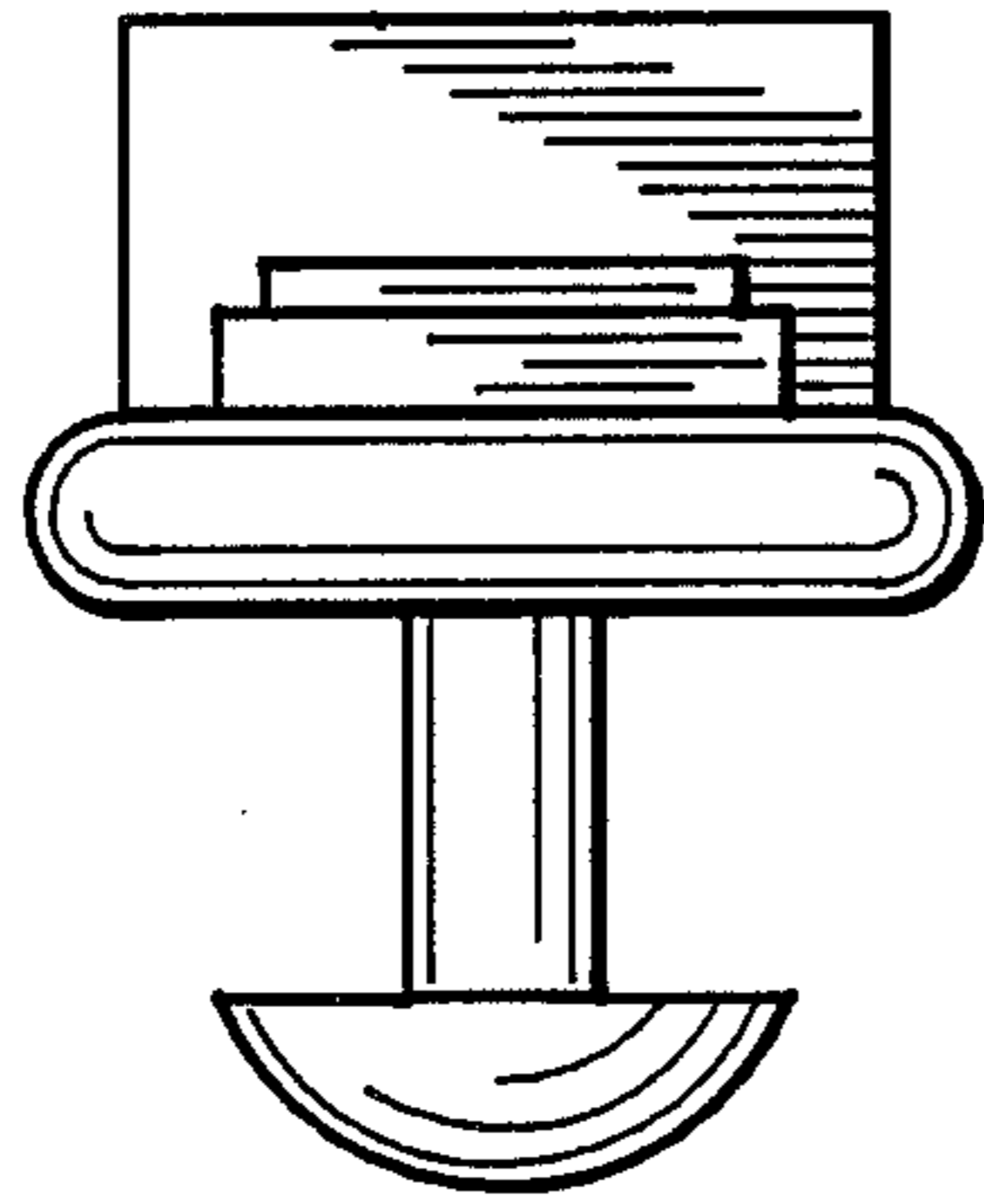


Fig. 5

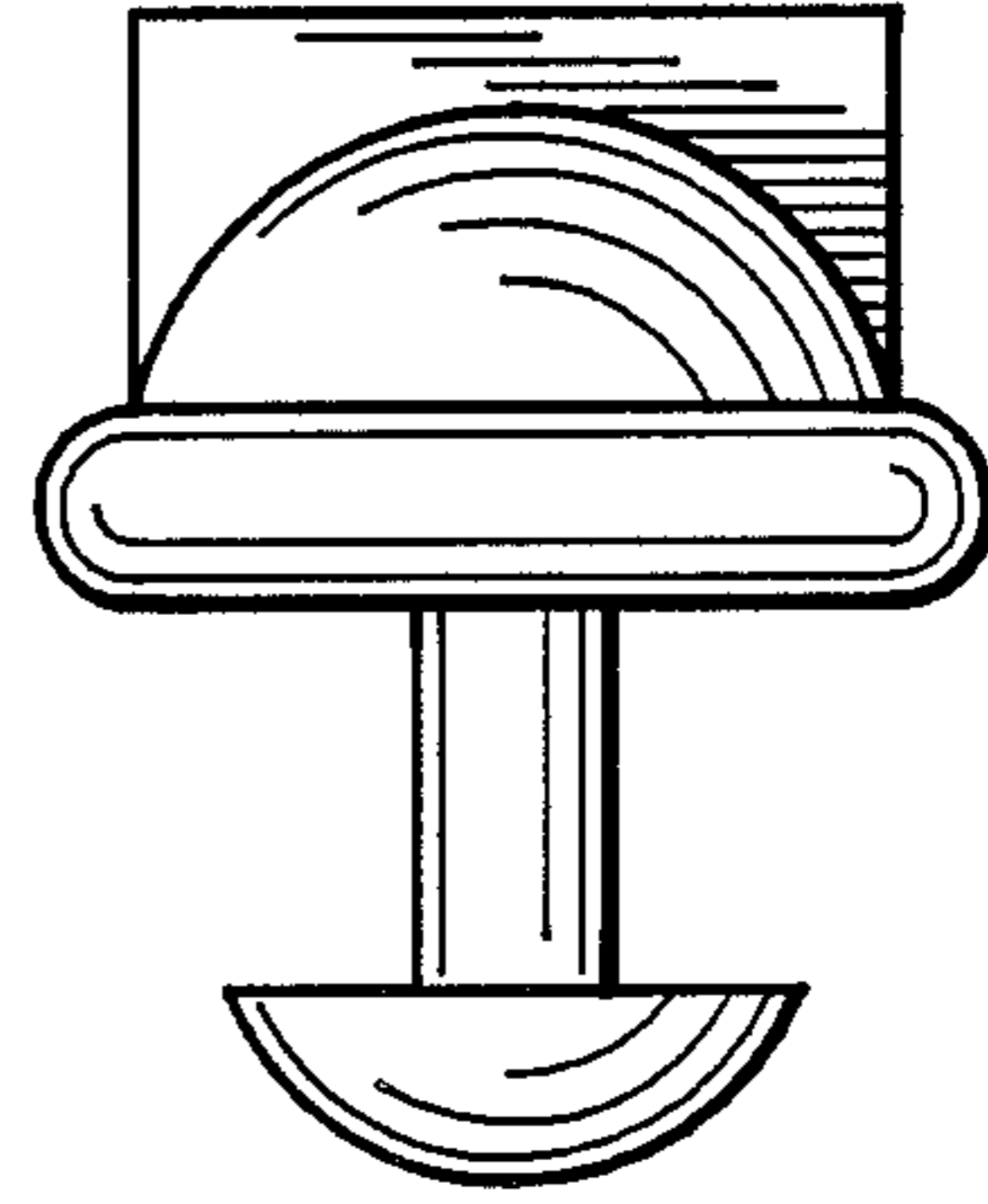


Fig. 6