

# United States Patent [19]

Hagberg et al.

[11] Patent Number: Des. 311,142

[45] Date of Patent: \*\* Oct. 9, 1990

[54] CLOCK

[75] Inventors: Knut Hagberg; Marianne Hagberg,  
both of Lund, Sweden

[73] Assignee: Ikea of Sweden AB, Almhult,  
Sweden

[\*\*] Term: 14 Years

[21] Appl. No.: 933,547

[22] Filed: Nov. 21, 1986

[30] Foreign Application Priority Data

May 23, 1986 [SE] Sweden ..... 86243  
[52] U.S. Cl. .... D10/24; D10/129  
[58] Field of Search ..... D10/1-39,  
D10/122-132; 368/276, 279, 280-282, 285

[56] References Cited

U.S. PATENT DOCUMENTS

D. 174,080 2/1955 Hall ..... D10/26  
D. 206,275 11/1966 Simpson ..... D10/21  
D. 208,927 10/1967 Thomas ..... D10/25

OTHER PUBLICATIONS

*Merchandising-4/84* -p. 18-Clock at center.

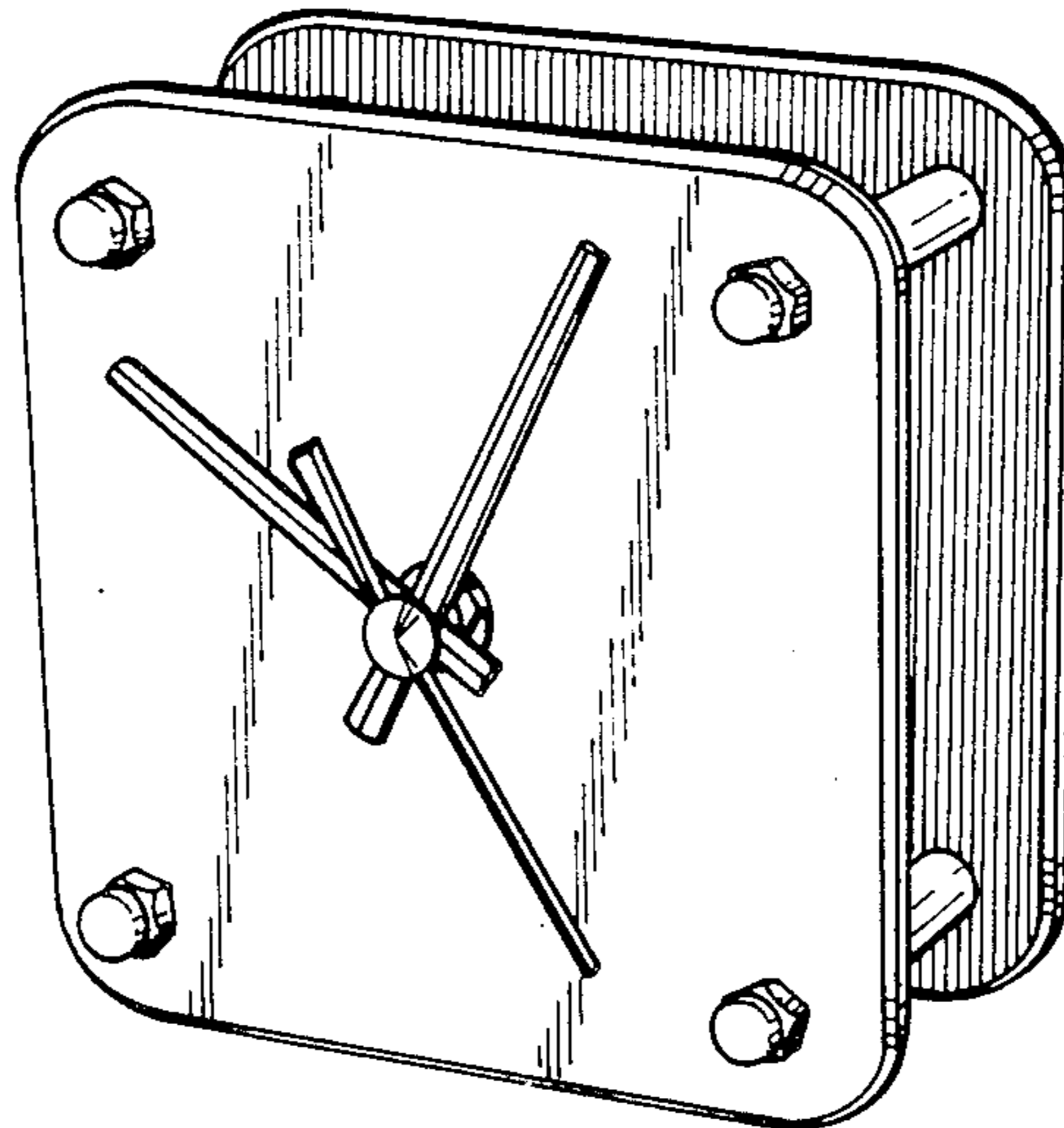
*Primary Examiner*—Nelson C. Holtje  
*Attorney, Agent, or Firm*—Young & Thompson

[57] CLAIM

The ornamental design for a clock, as shown and described.

DESCRIPTION

FIG. 1 is a top and right front perspective view of a clock showing our new design;  
FIG. 2 is a typical side perspective view thereof;  
FIG. 3 is a top and left rear perspective view thereof.



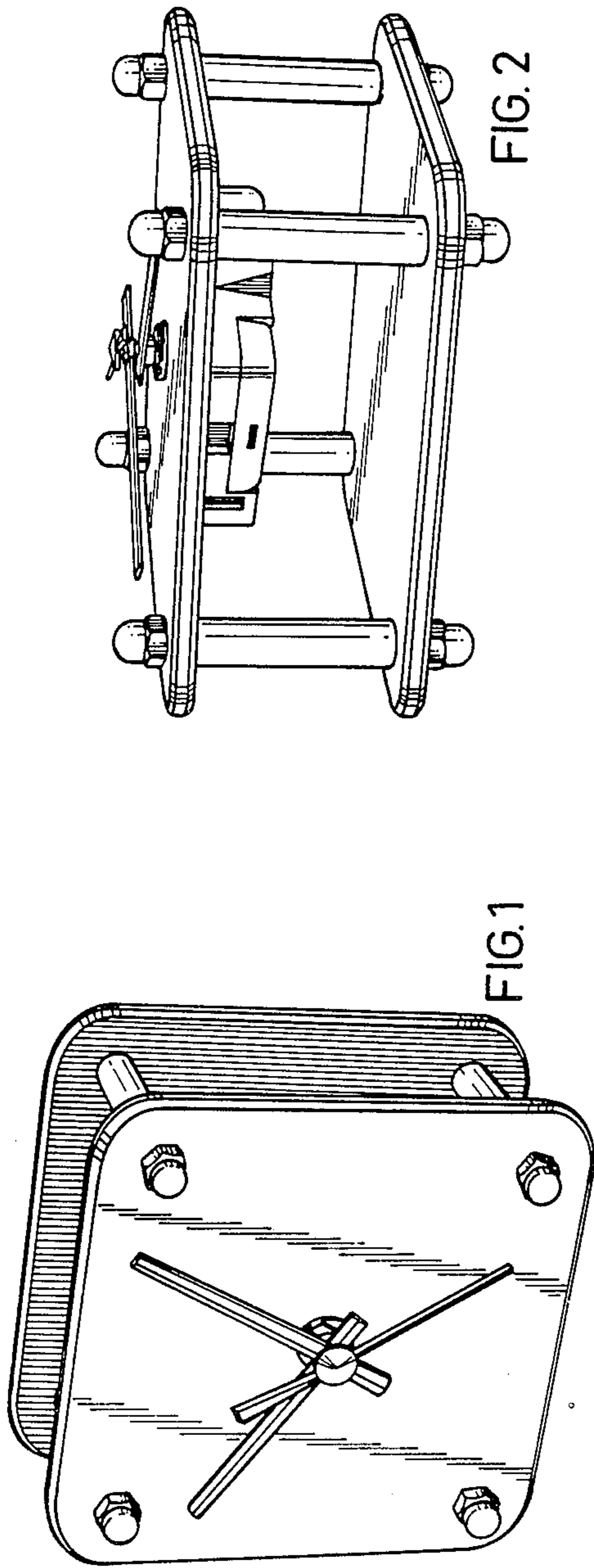


FIG. 1

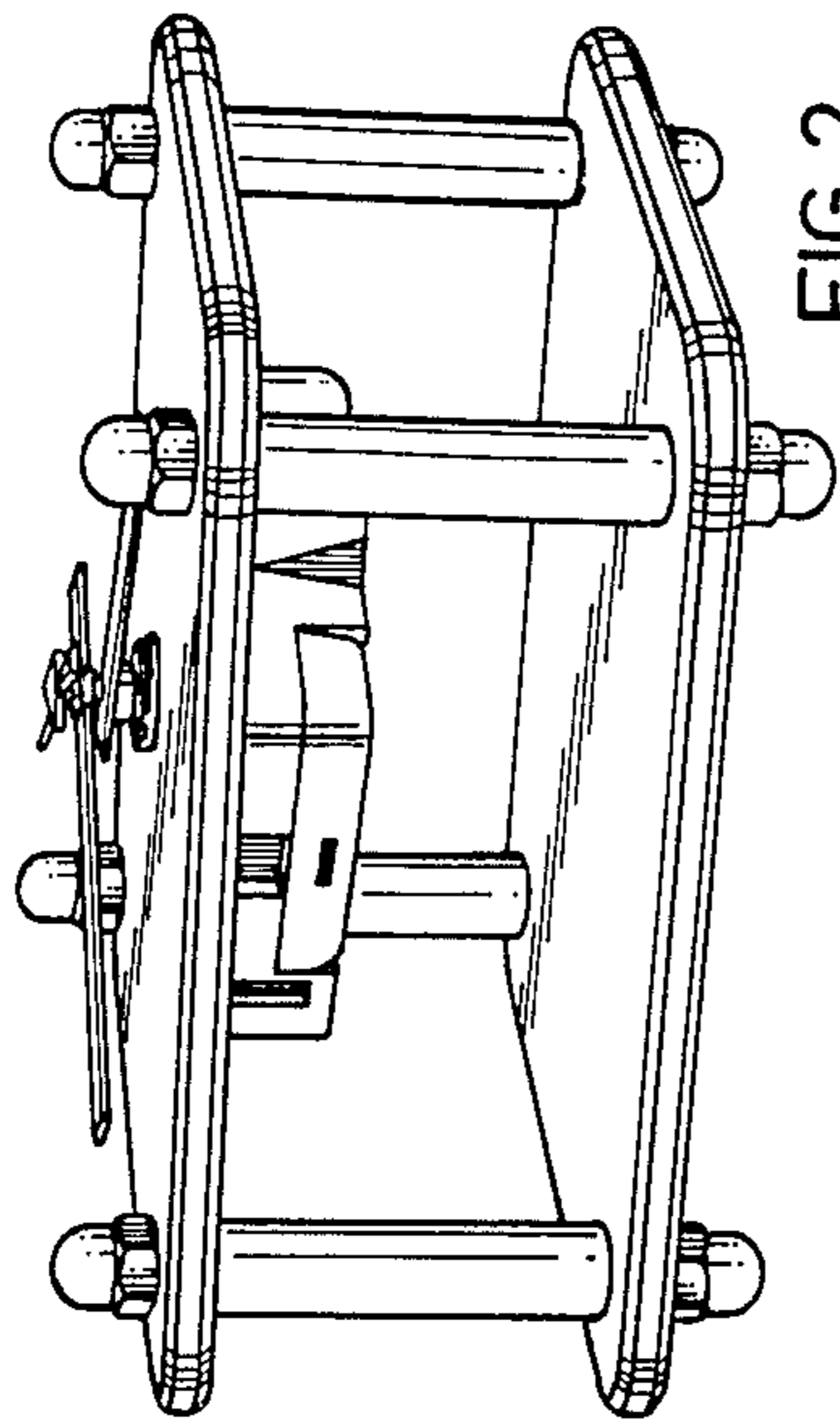


FIG. 2

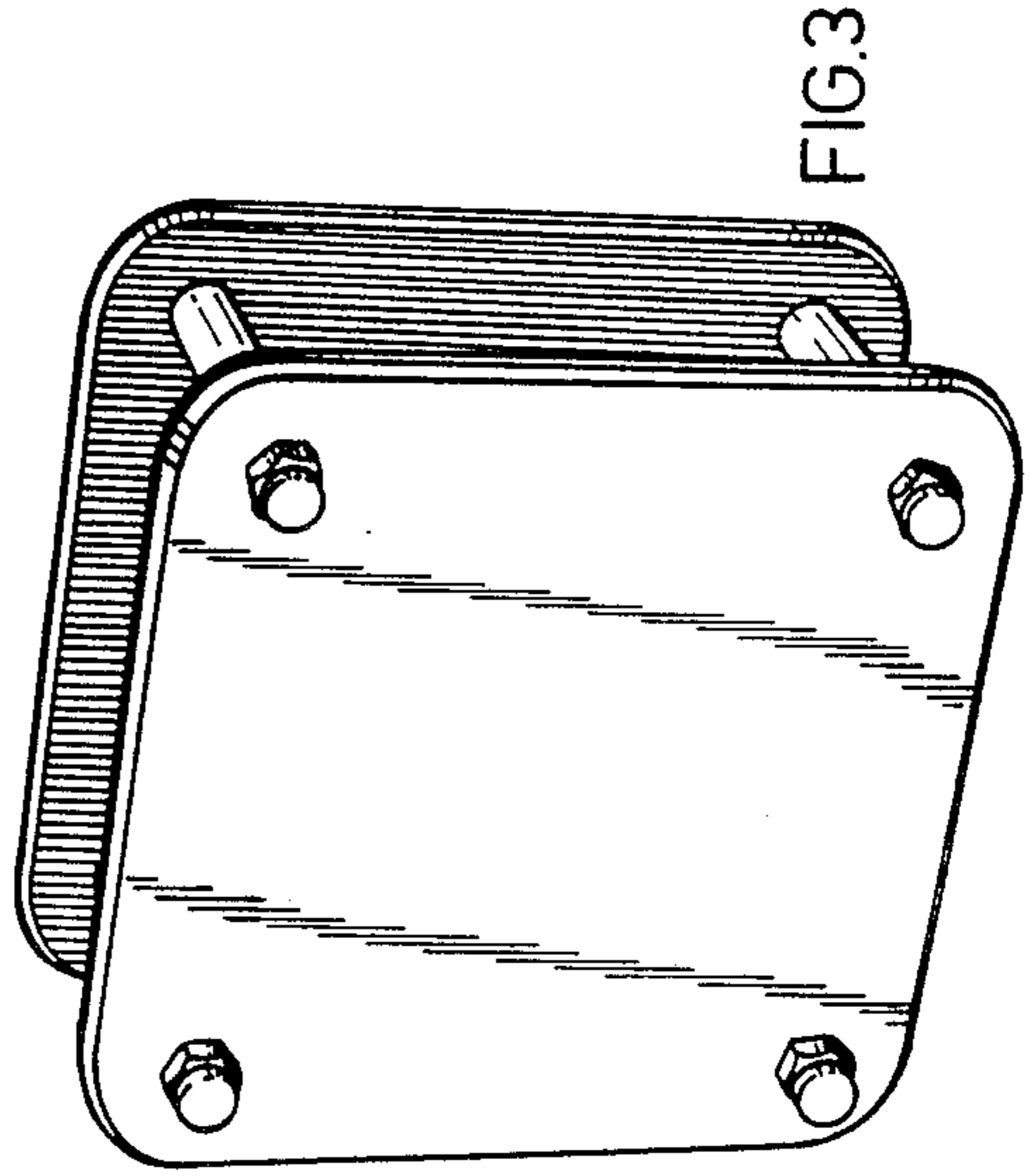


FIG. 3