

[54] TAMPER RESISTANT CONTAINER LID

[75] Inventor: James L. Nelson, Temple City, Calif.

[73] Assignee: Highland Plastics, Pasadena, Calif.

[\*\*] Term: 14 Years

[21] Appl. No.: 21,421

[22] Filed: Mar. 4, 1987

[52] U.S. Cl. .... D9/454

[58] Field of Search ..... D9/341, 342, 345, 420, D9/424, 429, 432, 435, 443, 452, 453, 454, 456; 220/200, 269; 215/232, 250, 255, 258; 229/87 B, 87 P

[56] References Cited

U.S. PATENT DOCUMENTS

D. 192,945	5/1962	Foss et al. ....	D9/453
D. 243,231	2/1977	Smith .....	D9/452
D. 266,906	11/1982	Guerette .....	D9/454
D. 269,597	7/1983	Harries .....	D9/454
D. 286,026	10/1986	Rayner .....	D9/435
D. 291,183	8/1987	Messenger .....	D9/454
3,417,898	12/1968	Bozek et al. ....	D9/454
4,749,095	6/1988	Rote .....	215/258

Primary Examiner—A. Hugo Word  
Assistant Examiner—Celia Murphy

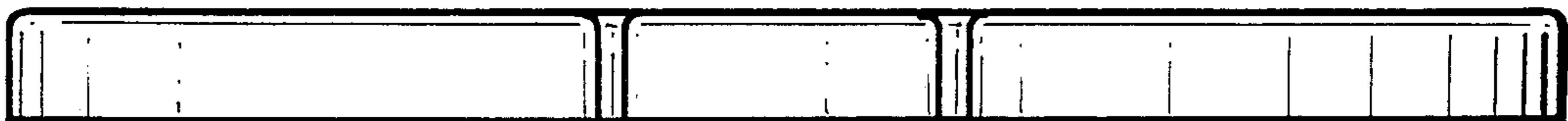
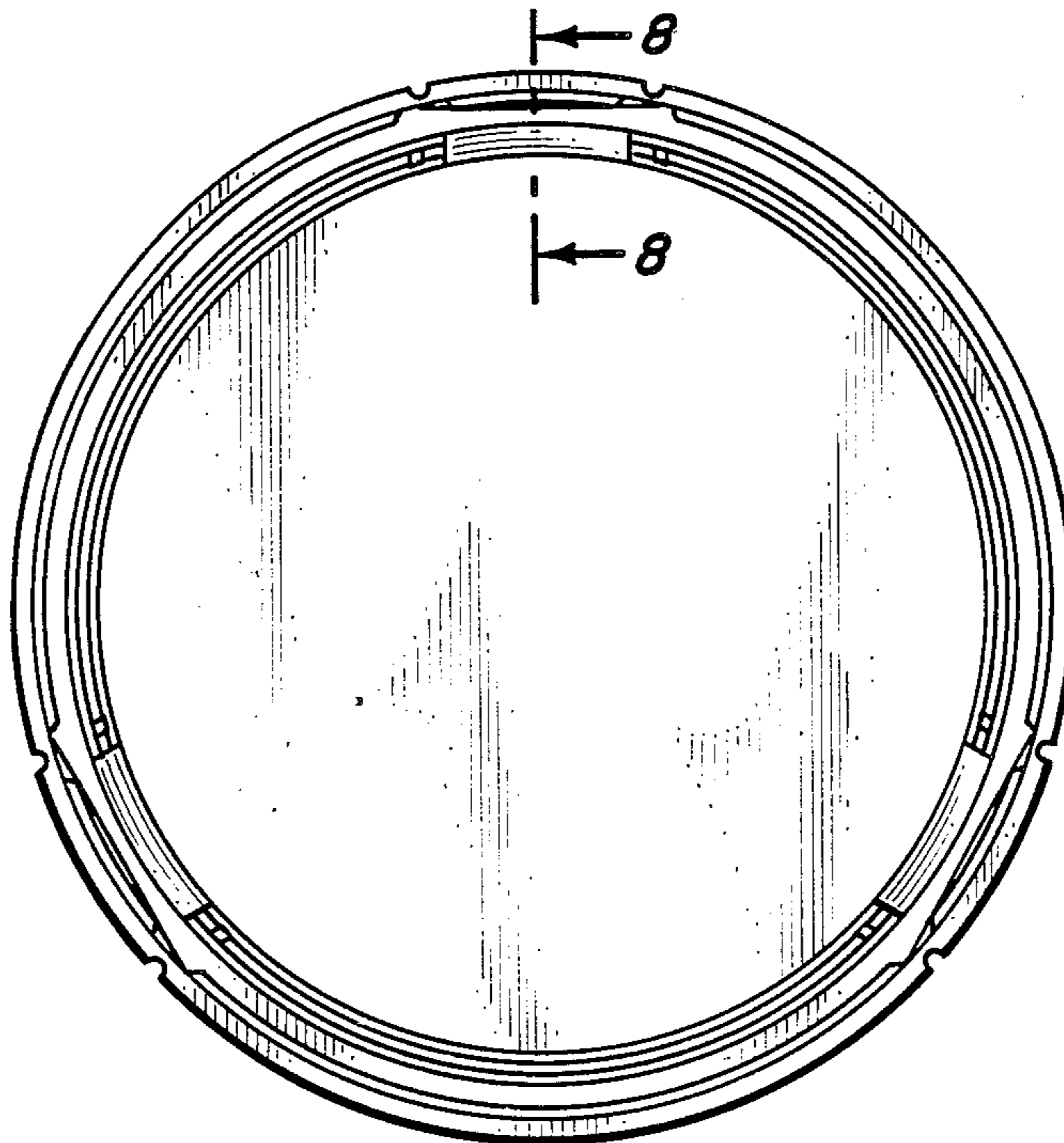
Attorney, Agent, or Firm—David O'Reilly

[57] CLAIM

The ornamental design for a tamper resistant container lid, as shown and described.

DESCRIPTION

FIG. 1 is a top plan view of a tamper resistant container lid showing my new design;  
 FIG. 2 is a right side elevational view thereof;  
 FIG. 3 is a rear elevational view thereof;  
 FIG. 4 is a front elevational view thereof;  
 FIG. 5 is a bottom plan view thereof;  
 FIG. 6 is an enlarged sectional view thereof; taken on line 6—6 of FIG. 5;  
 FIG. 7 is a bottom plan view of an alternate embodiment of the design of FIG. 1;  
 FIG. 8 is an enlarged sectional view taken on line 8—8 of FIG. 7;  
 FIG. 9 is a top plan view of a second embodiment of the design of FIG. 1;  
 FIG. 10 is a right side elevational view of FIG. 9;  
 FIG. 11 is a front elevational view of FIG. 9;  
 FIG. 12 is a bottom plan view of FIG. 9;  
 FIG. 13 is an enlarged sectional view taken on line 13—13 of FIG. 12; and  
 FIG. 14 is an enlarged sectional view taken on line 14—14 of FIG. 12.



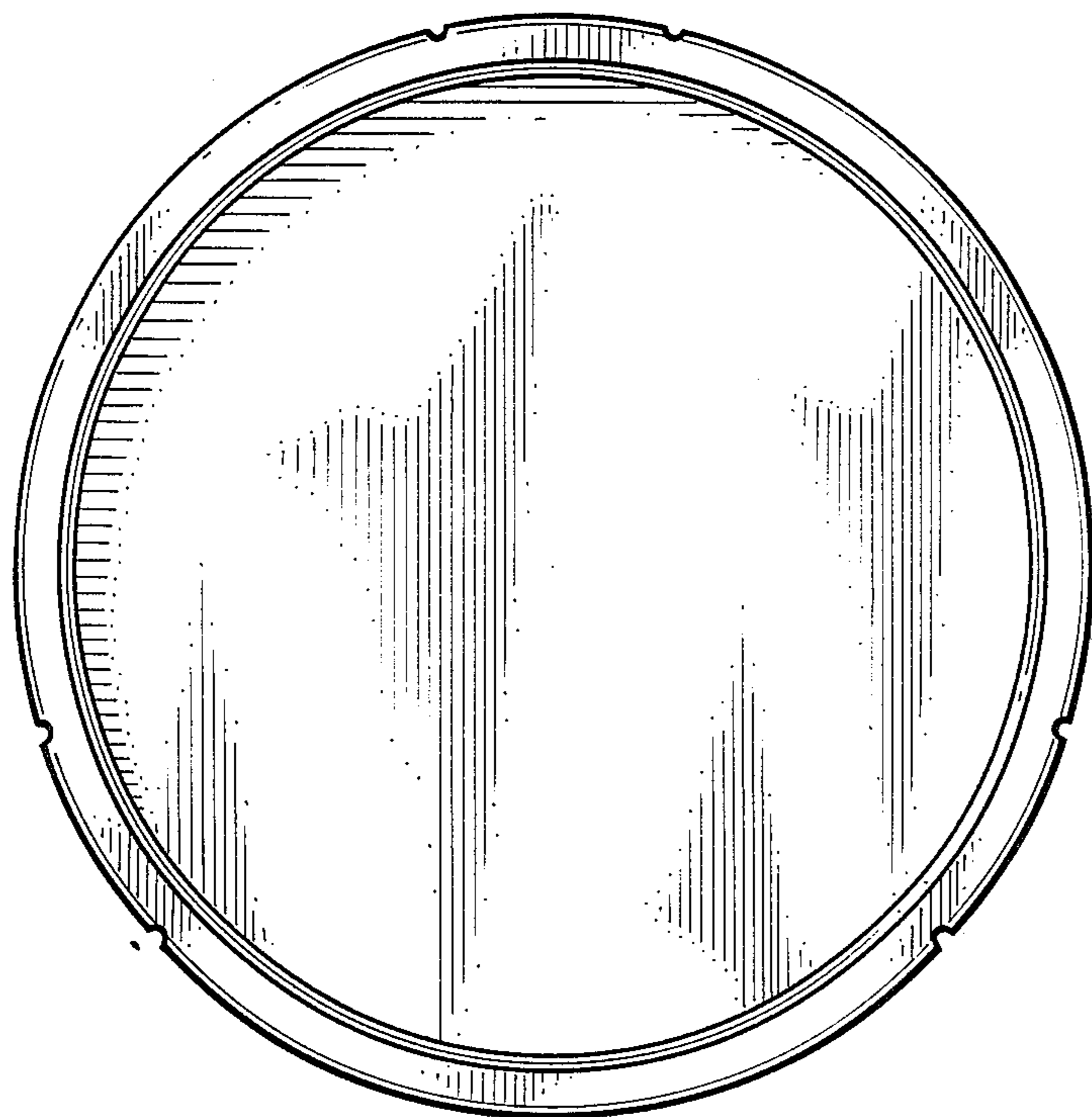


Fig. 1.



Fig. 2.

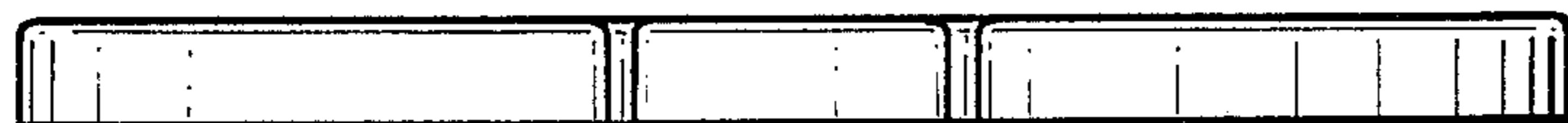


Fig. 3.



Fig. 4.

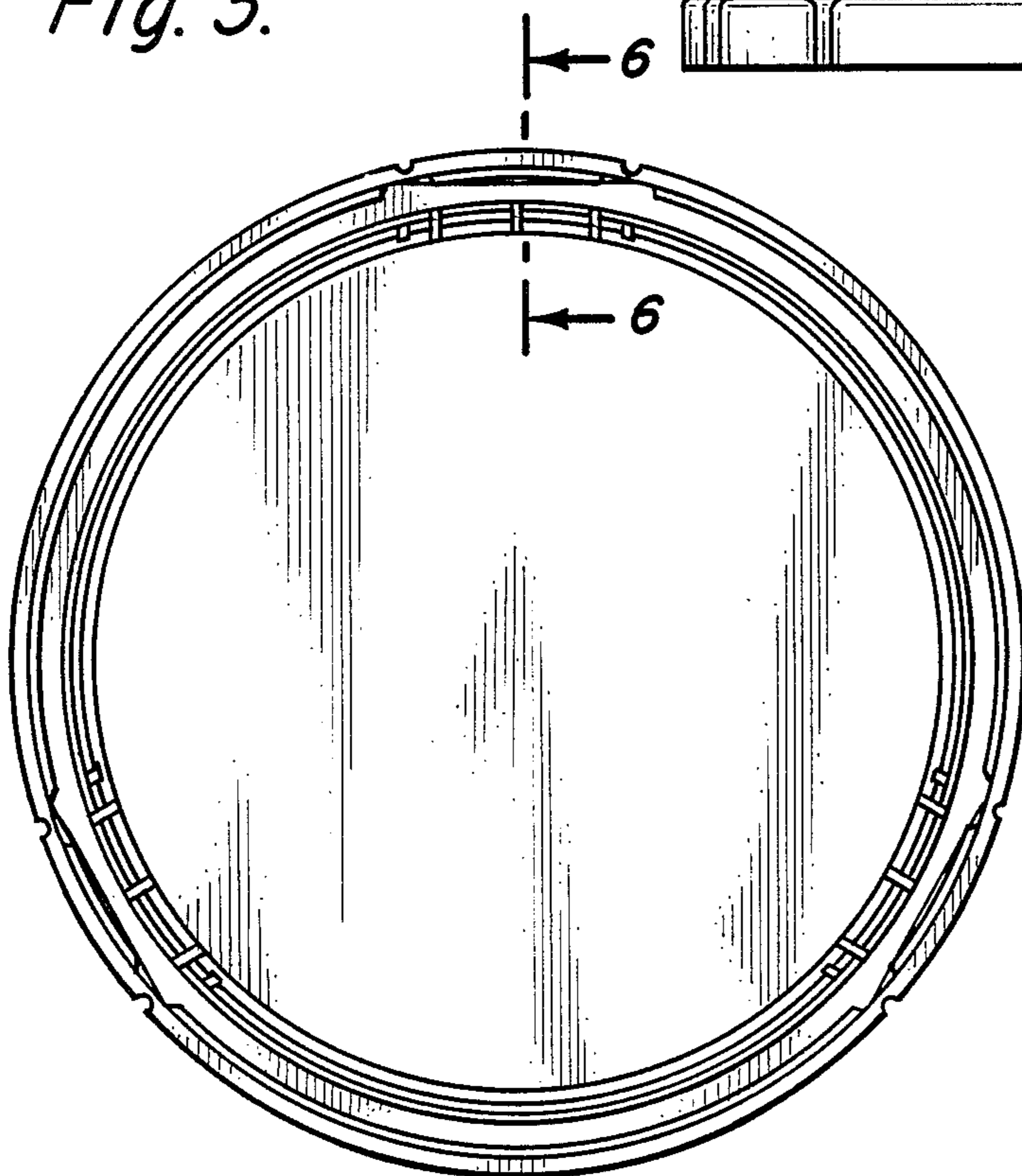


Fig. 5.

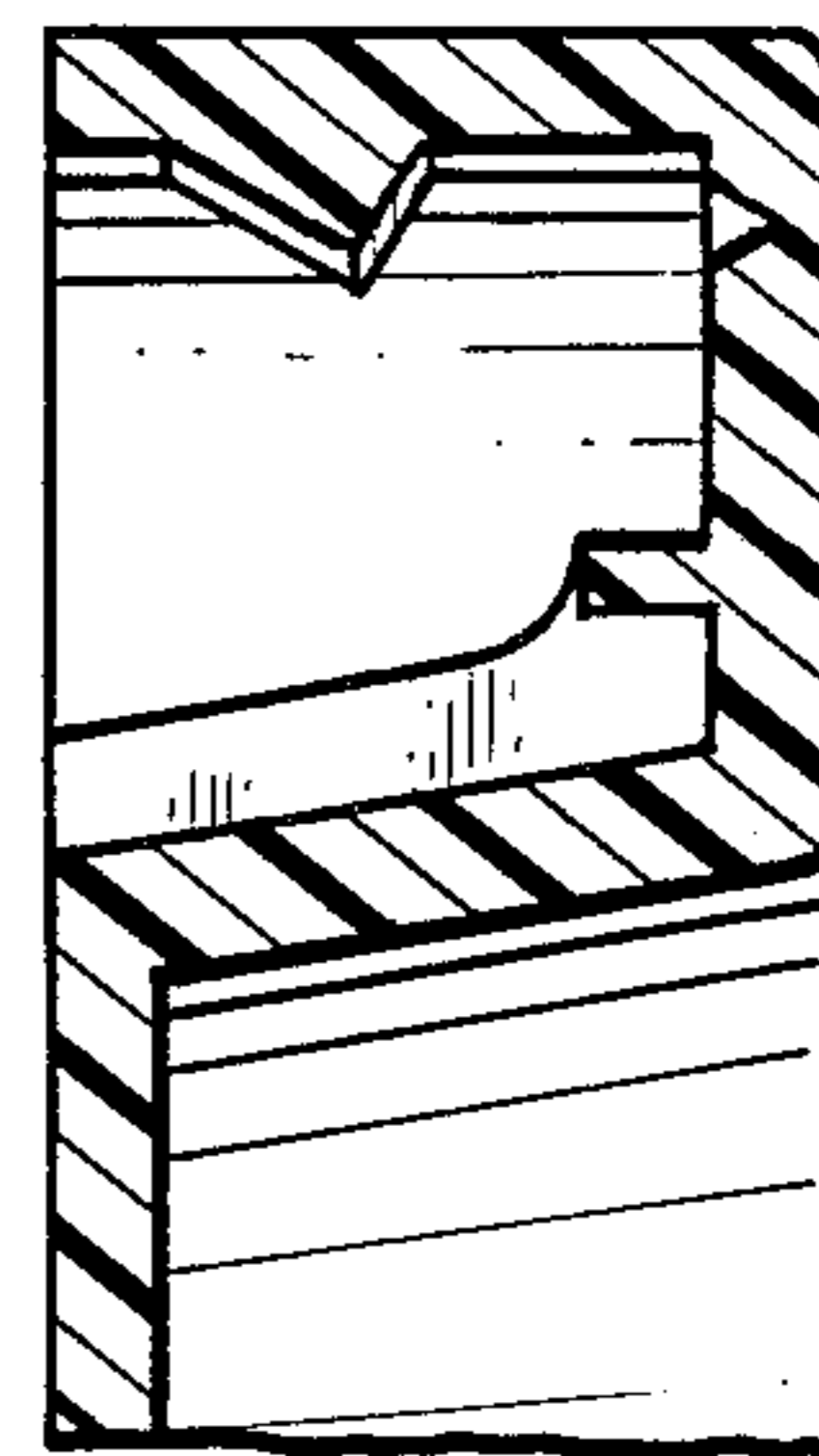
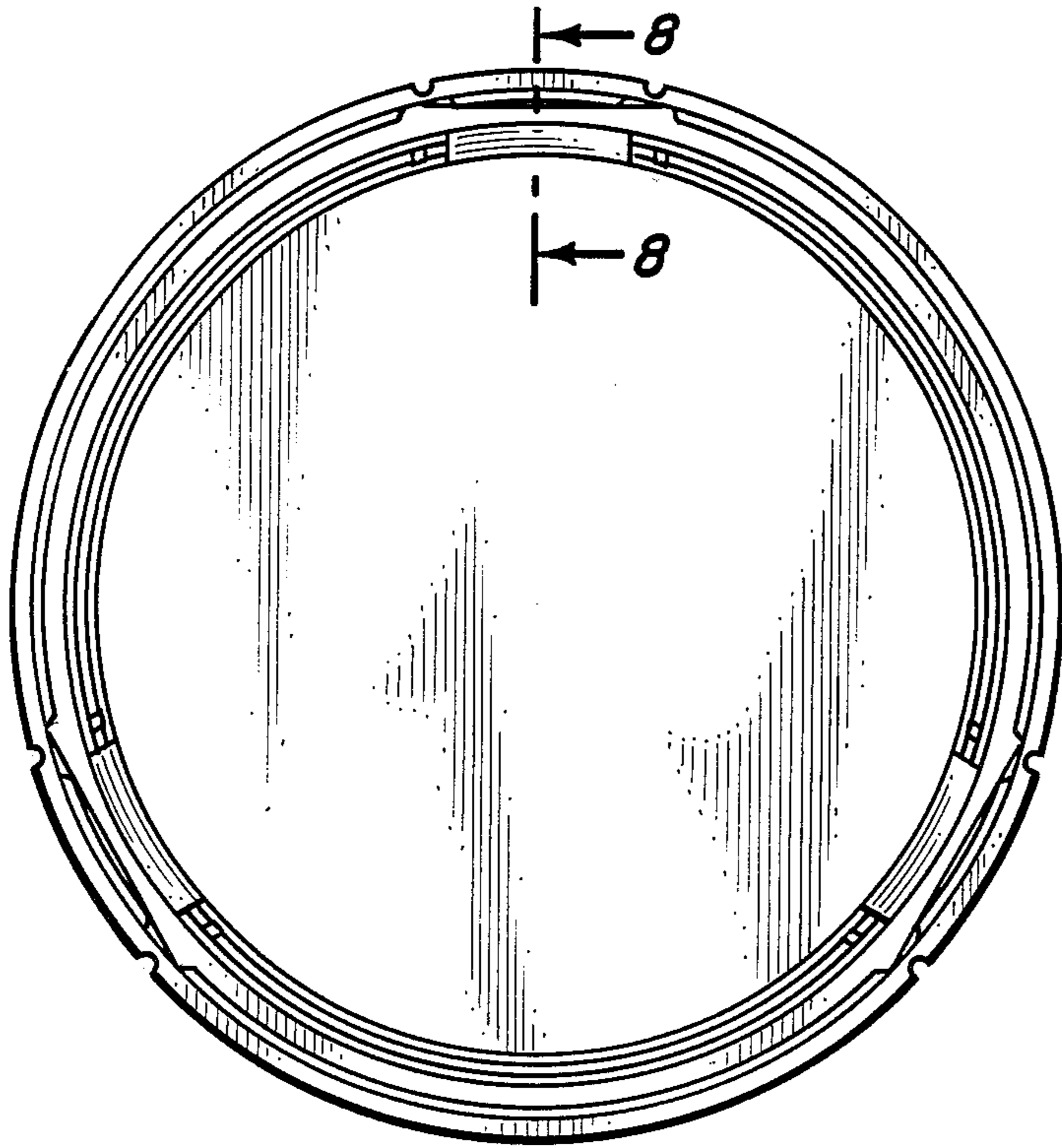
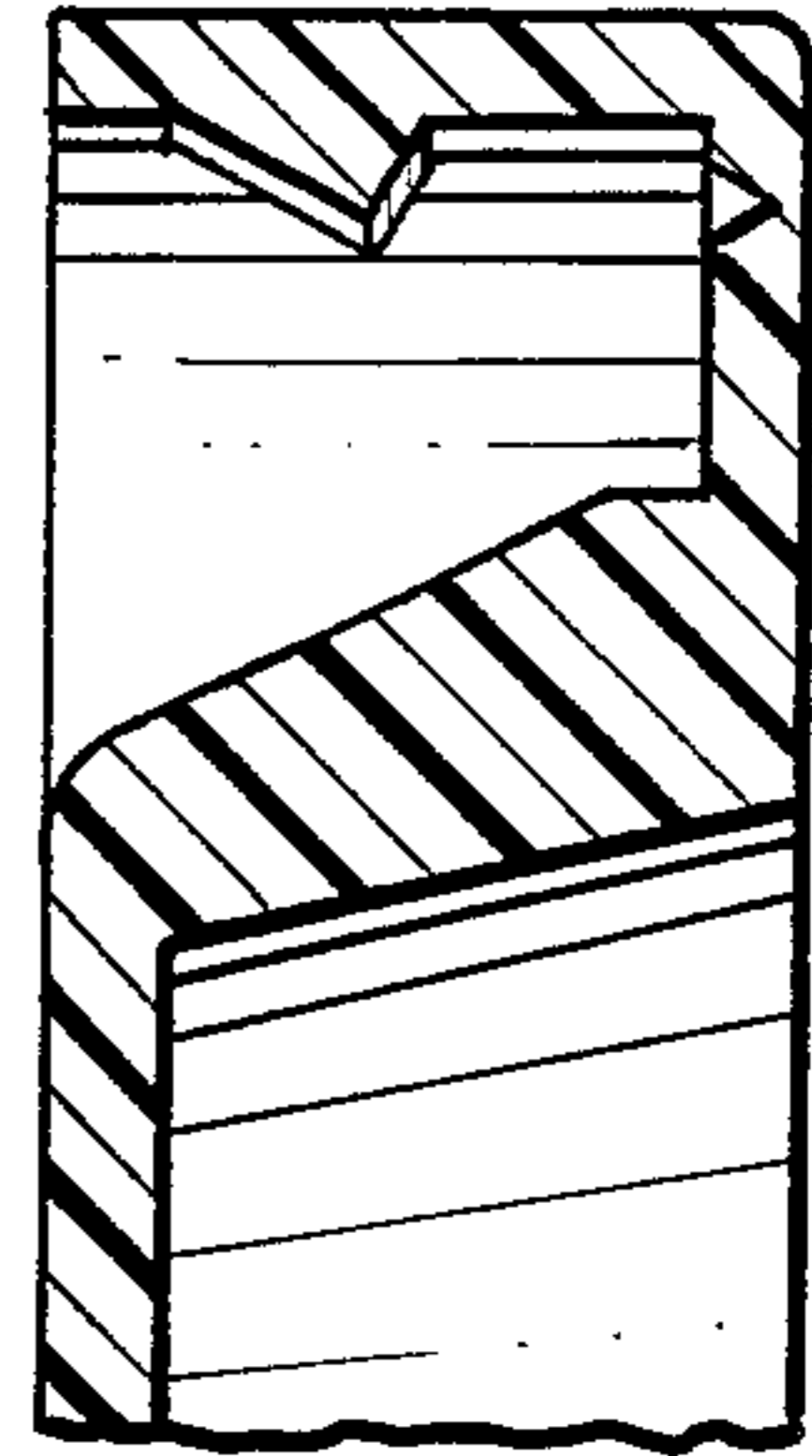


Fig. 6.



*Fig. 7.*



*Fig. 8.*

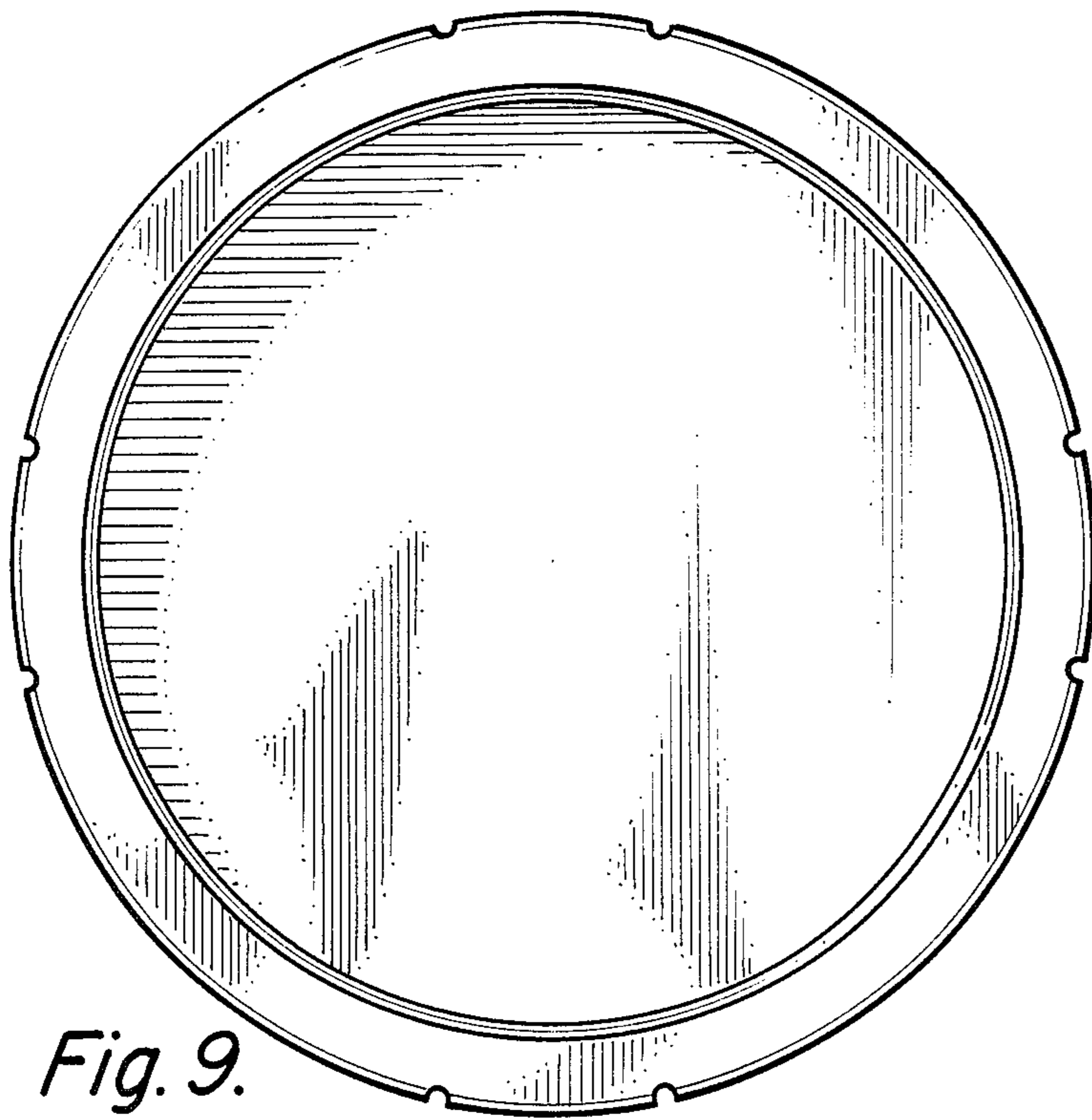


Fig. 9.

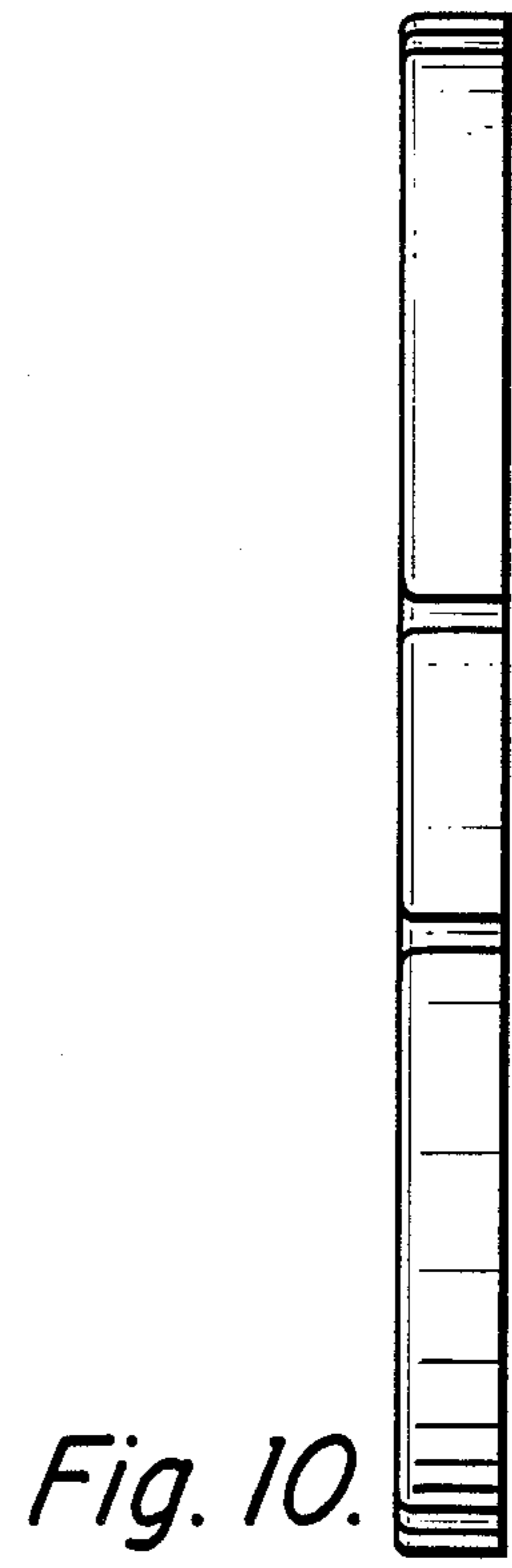


Fig. 10.

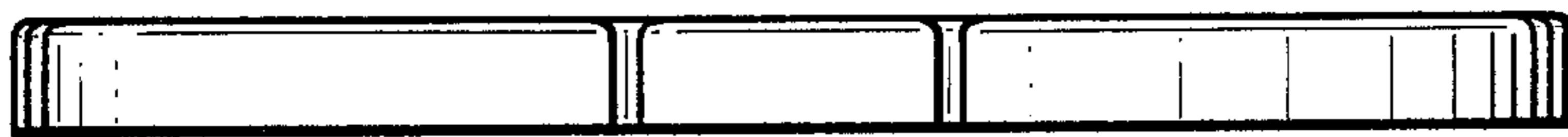


Fig. 11

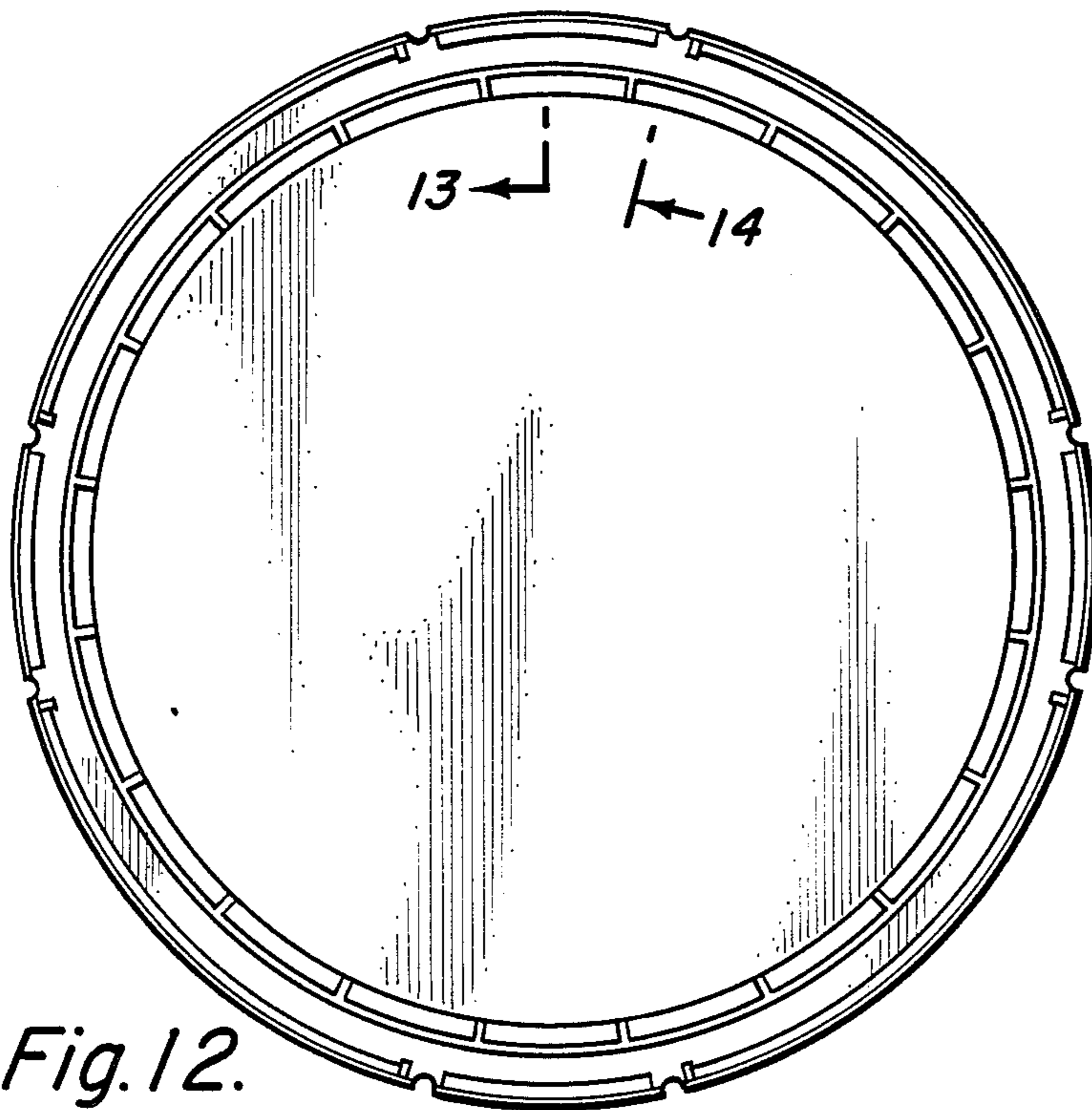
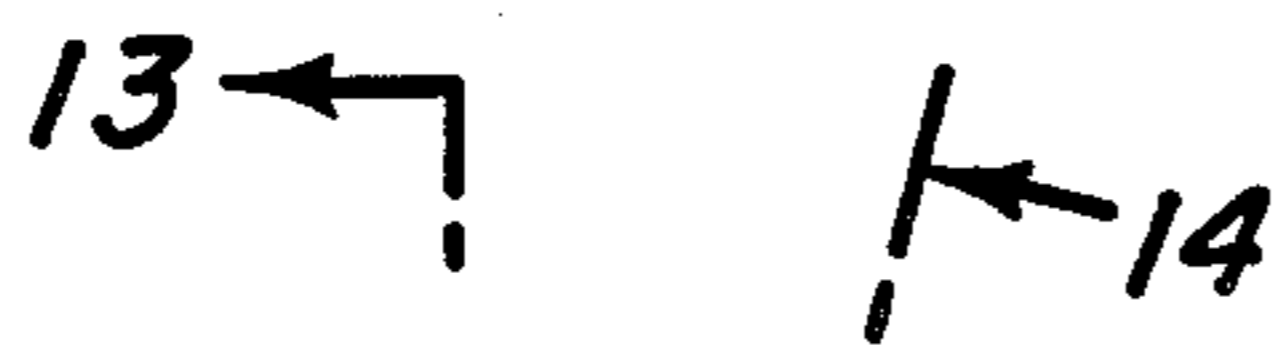


Fig. 12.

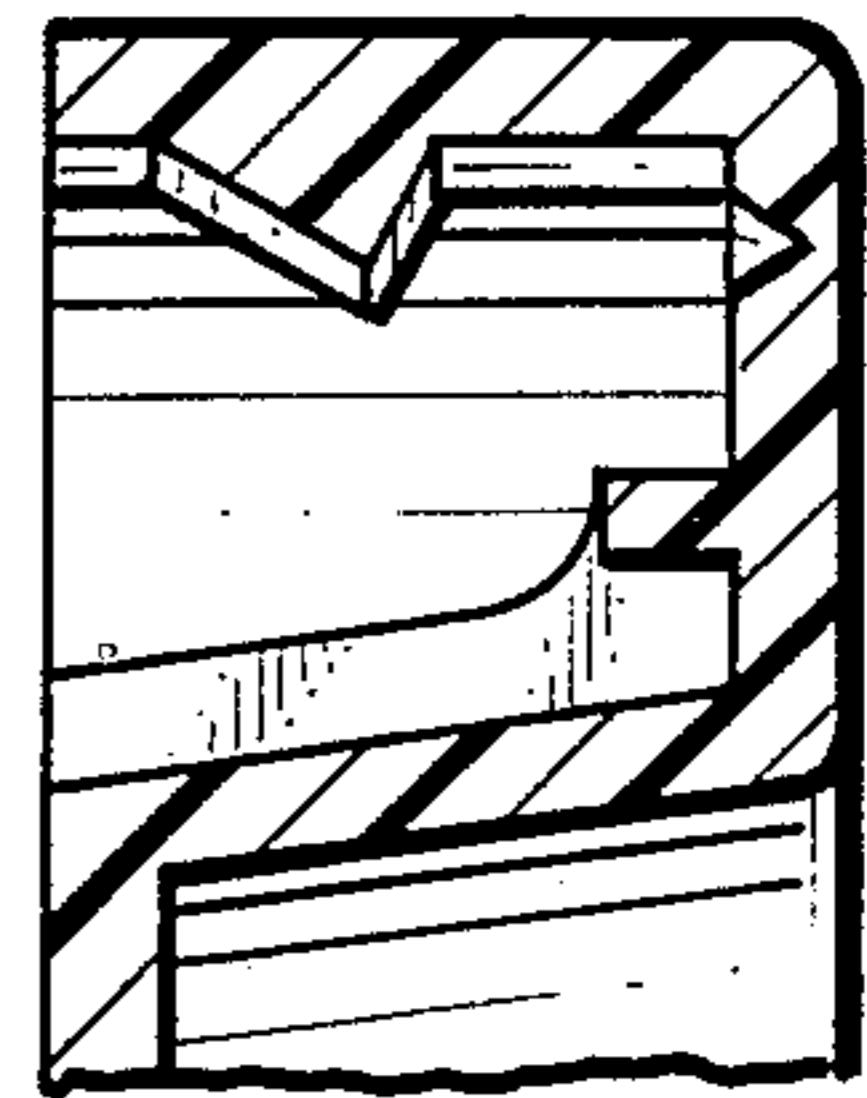
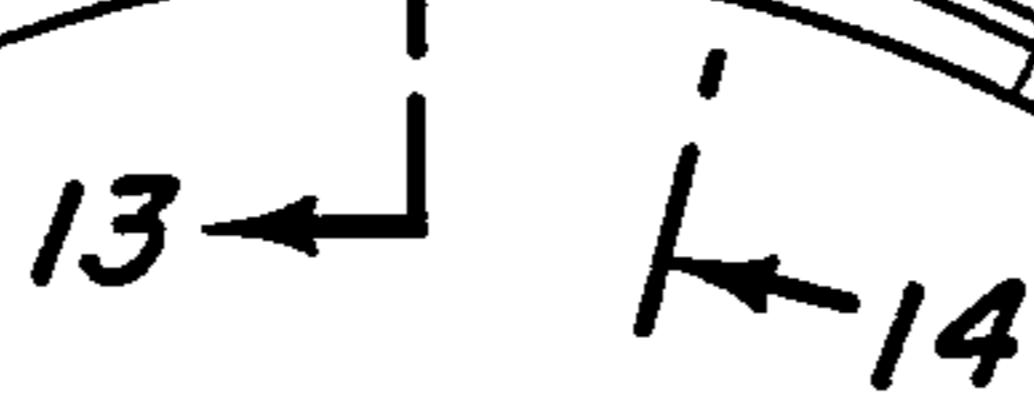


Fig. 13.

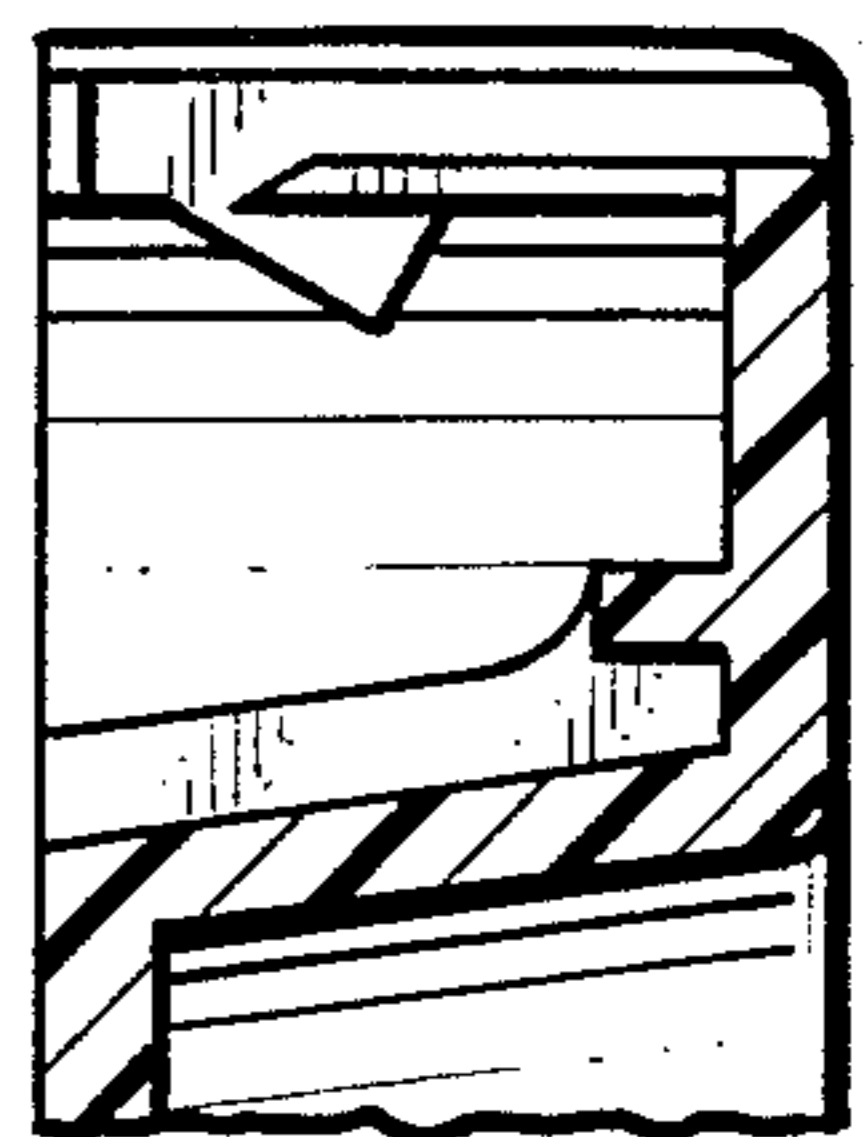


Fig. 14.