

[54] PACKAGE

[75] Inventor: Arthur Chanel, Saint-Rémy, France

[73] Assignee: Fromageries Bresse-Bleu - Societe Laitiere Cooperative Agricole, Servas, France

[**] Term: 14 Years

[21] Appl. No.: 155,638

[22] Filed: Feb. 12, 1988

[30] Foreign Application Priority Data

Aug. 12, 1987 [FR] France 874780

[52] U.S. Cl. D9/425; D9/418

[58] Field of Search D9/414-433, D9/341, 345; D7/18, 21, 84, 17, 20, 38, 357; 206/557-564; 220/4 B, 4 E, 20, 23.8, 352, 355; 229/2.5 R

[56] References Cited

U.S. PATENT DOCUMENTS

- D. 206,452 12/1966 Latham D7/18
- D. 249,447 9/1978 Brown D7/21
- D. 298,199 10/1988 Finsilver et al. D9/426 X
- 1,413,063 4/1922 Sailer D7/21 X
- 3,164,285 1/1965 Melich D7/17 X

- 3,511,433 5/1970 Andrews et al. 220/4 E
- 3,933,295 1/1976 Congleton 220/4 E X
- 4,061,241 12/1977 Retelny 220/4 B

OTHER PUBLICATIONS

Pyrexware, 1960, New Pyrex Golden Casseroles, p. 1.

Primary Examiner—Bernard Ansher
Assistant Examiner—Prabhakar Deshmukh
Attorney, Agent, or Firm—McGlew & Tuttle

[57] CLAIM

The ornamental design for a package, as shown and described.

DESCRIPTION

FIG. 1 is an exploded sectional view of a package taken along line 1—1 of FIG. 5, showing my new design; FIG. 2 is a top plan view thereof, without cover; FIG. 3 is an exploded sectional view thereof, taken along line 3—3 of FIG. 5; FIG. 4 is a top plan view of the cover thereof; FIG. 5 is a top plan view of the combined package thereof; FIG. 6 is a front elevational view of FIG. 5 thereof; FIG. 7 is a rear side elevation of FIG. 5 thereof; FIG. 8 is a right side elevation of FIG. 5 thereof; and FIG. 9 is a left side elevation of FIG. 5 thereof.

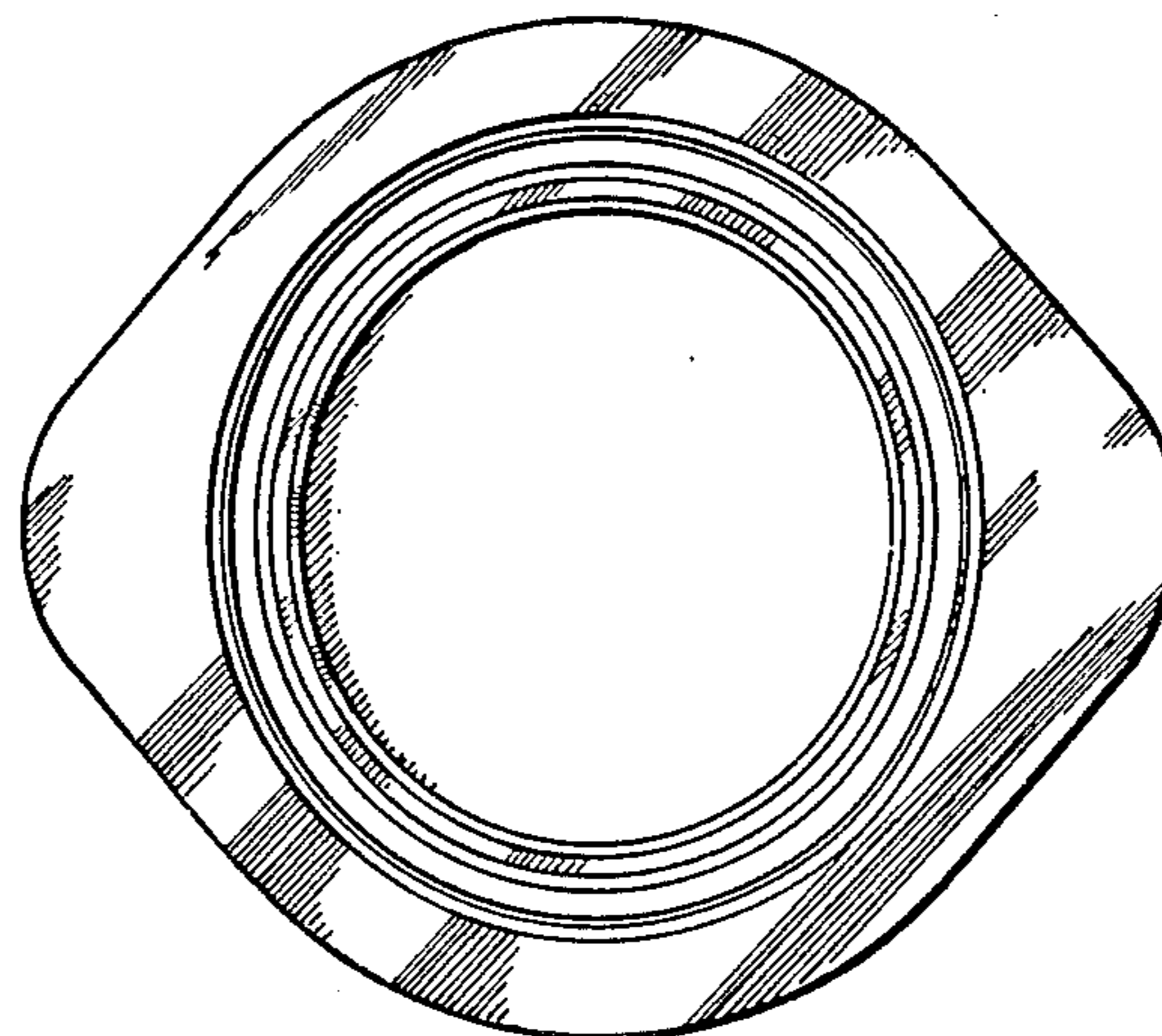
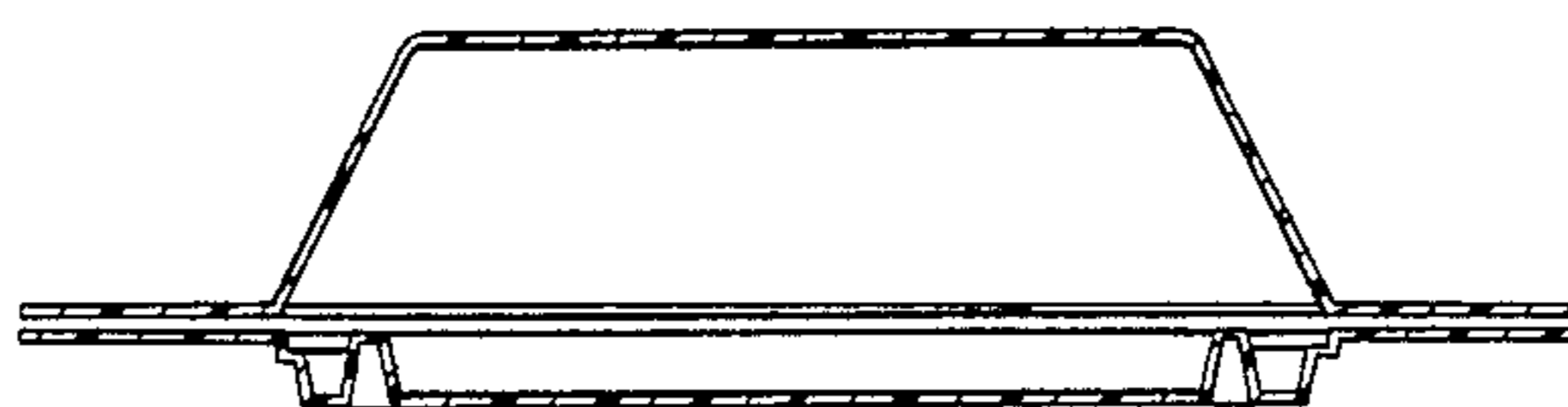


FIG. 1

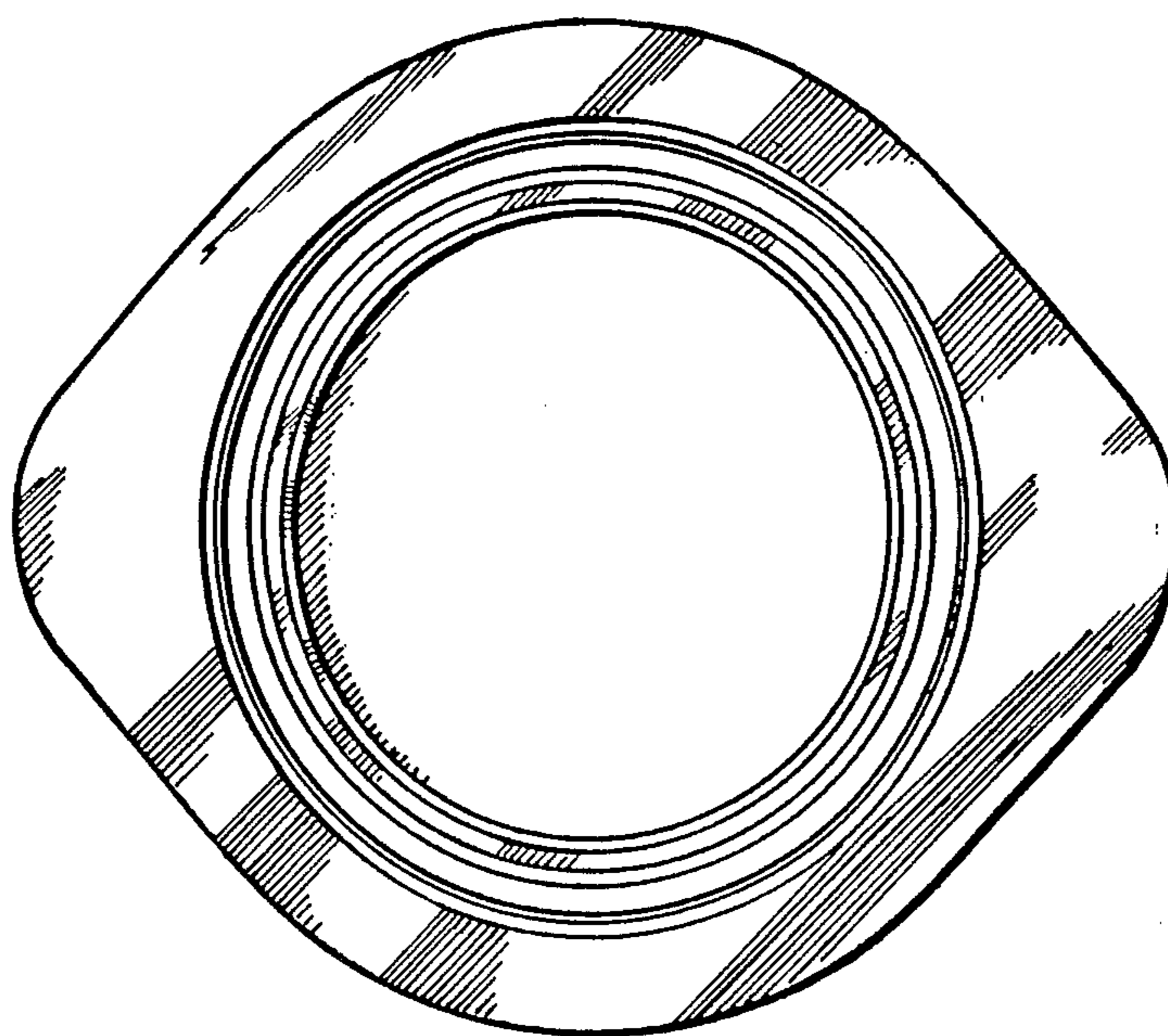


FIG. 2

FIG. 3

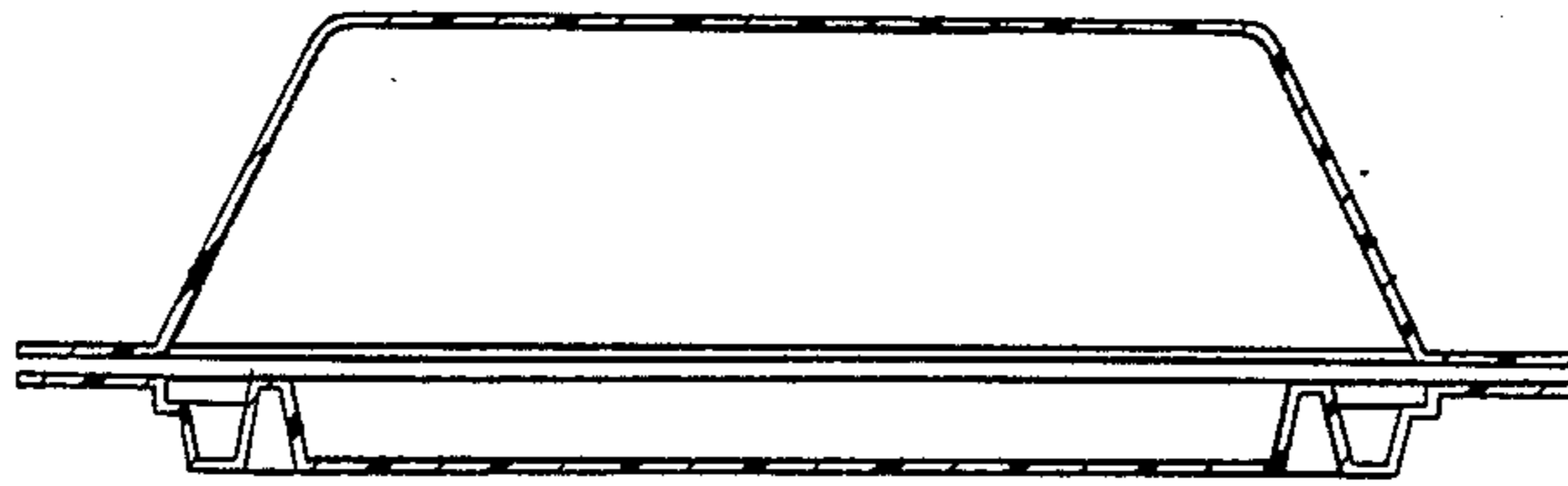


FIG. 4

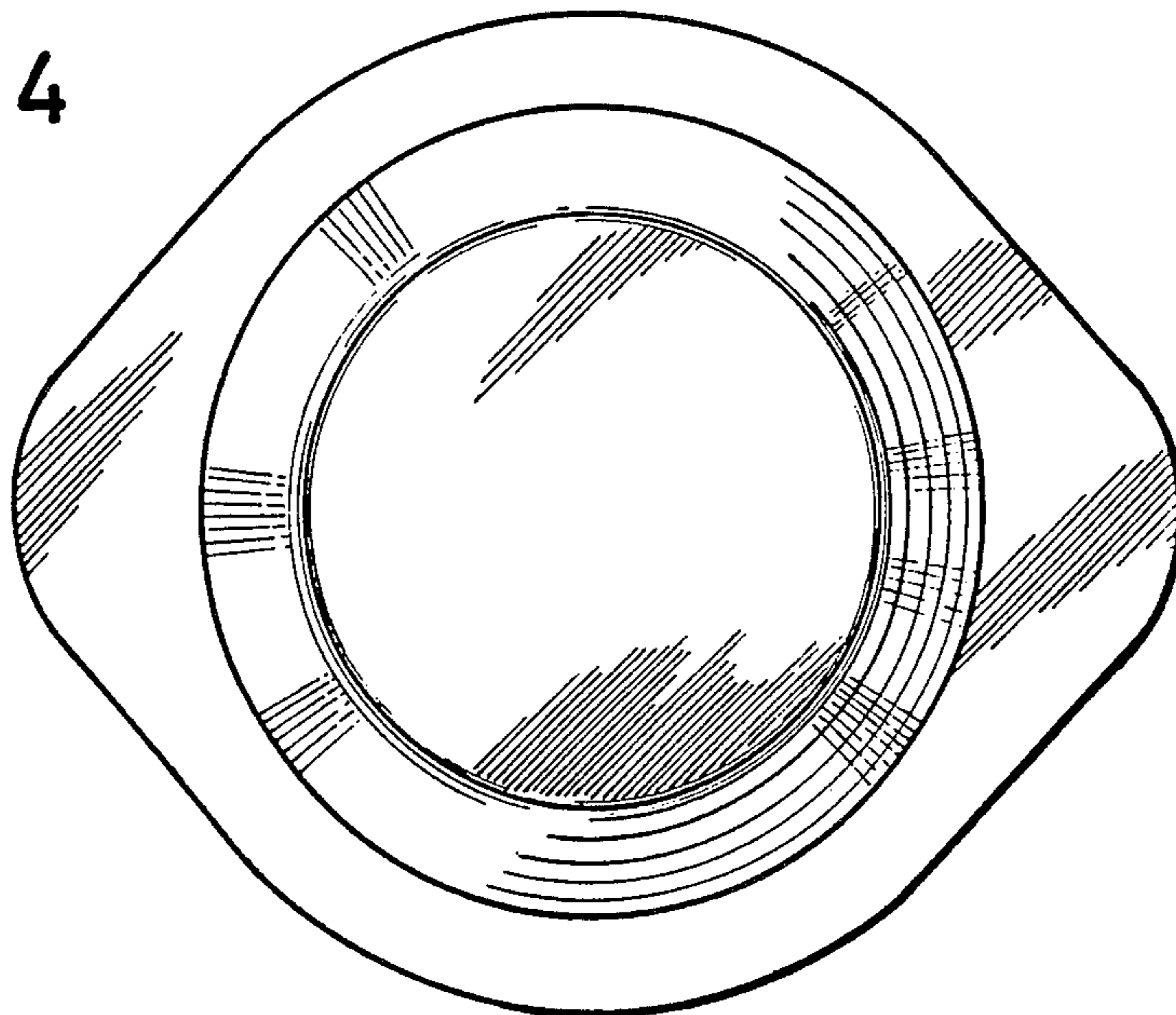


FIG. 5

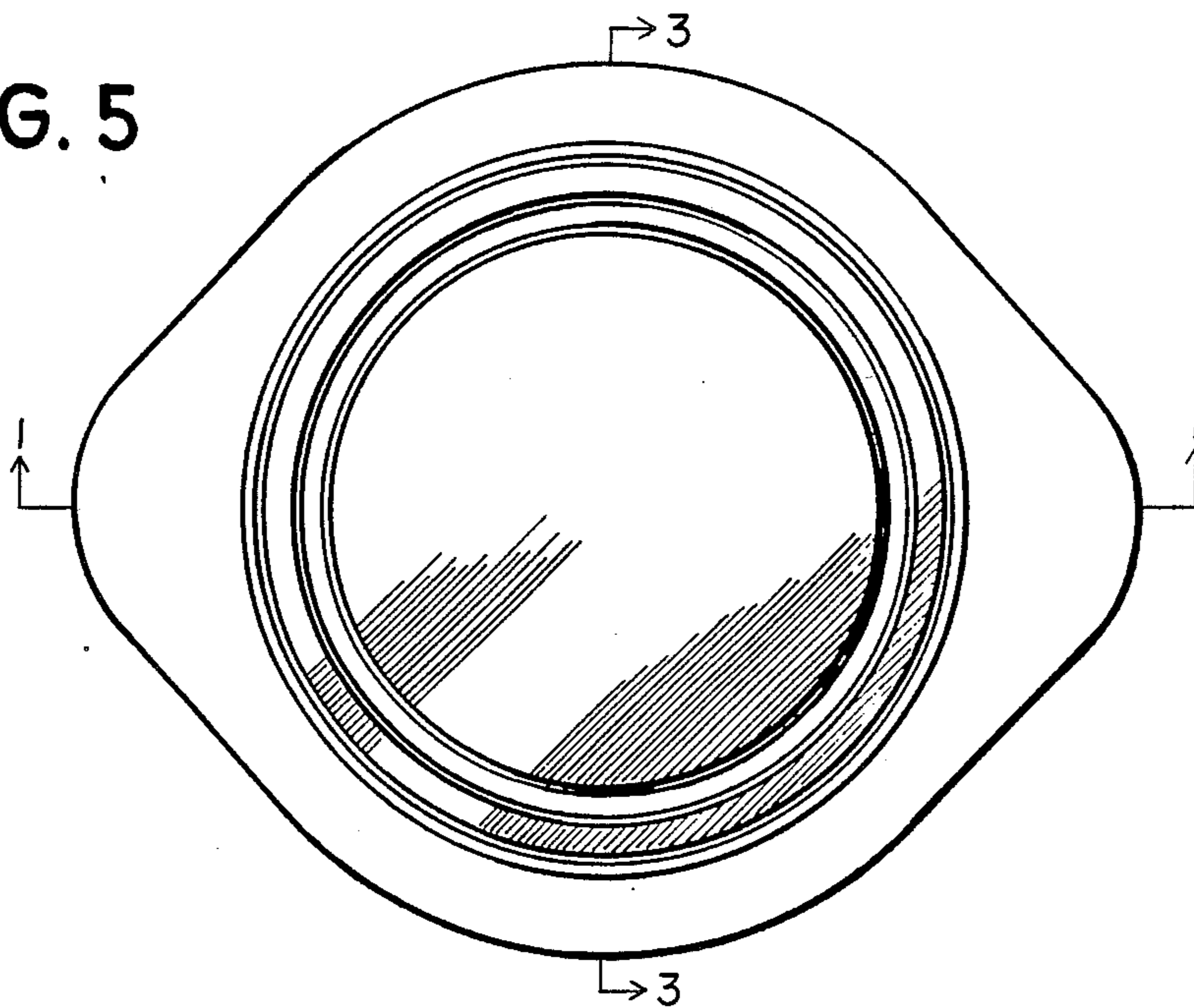


FIG. 6

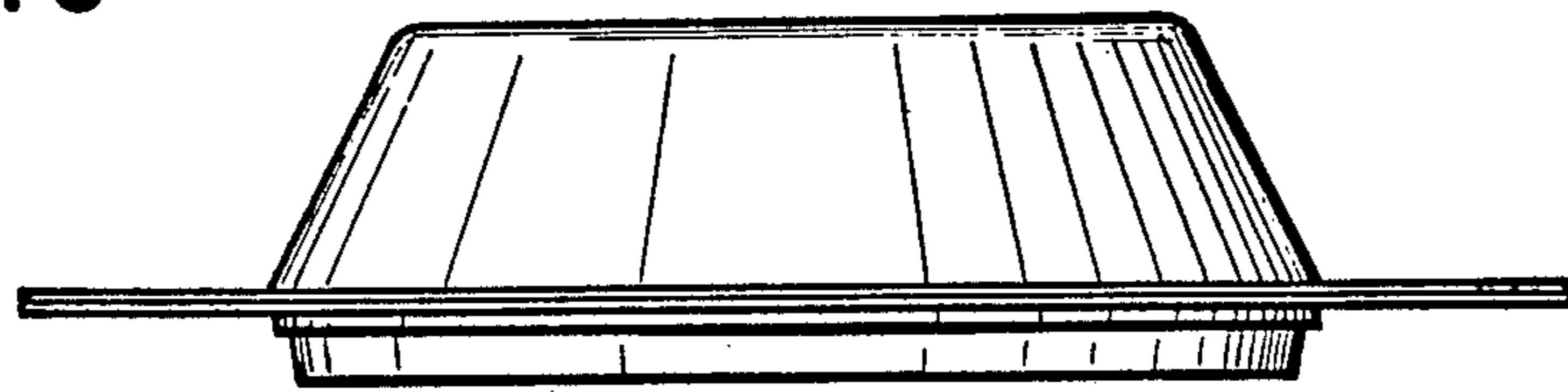


FIG. 7

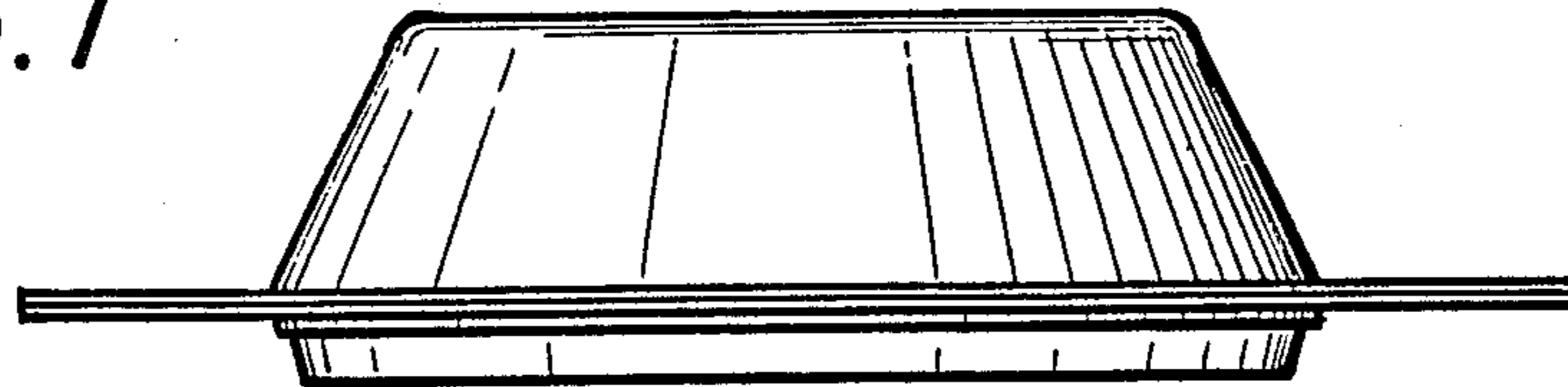


FIG. 8

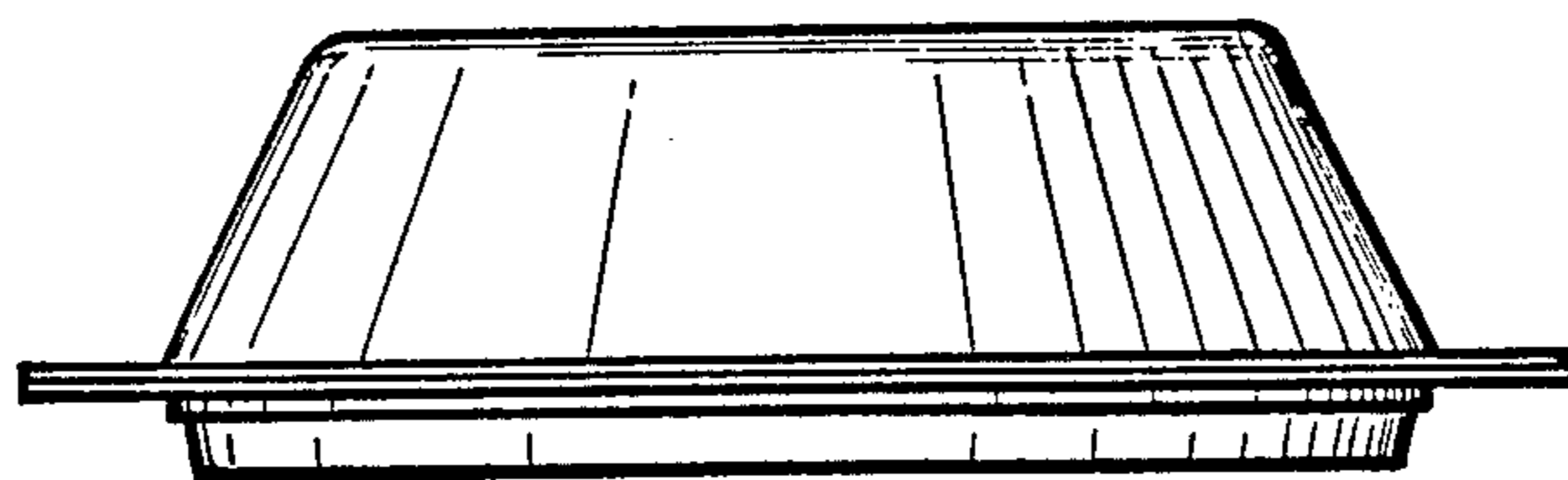


FIG. 9

