

[54] THEFT RESISTANT CONTAINER

[75] Inventors: Anthony Gelardi, Cape Porpoise, Me.; Alan Lowry, Canton, Mass.; Craig Lovecky, Old Orchard Beach, Me.

[73] Assignee: Shape Inc., Biddeford, Me.

[**] Term: 14 Years

[21] Appl. No.: 55,776

[22] Filed: May 29, 1987

[52] U.S. Cl. D9/418

[58] Field of Search D9/414-433, D9/341, 344; D14/105, 108, 121, 123; 206/307-313, 387, 45.31, 45.11, 216, 444, 1.5, 807, 497; 220/22, 82 R

4,381,836 5/1983 Rivkin et al. 206/387

4,489,832 12/1984 Helms 206/387

4,558,782 12/1985 Iverson et al. 206/387

4,567,983 2/1986 Morris 206/387

4,572,369 2/1986 Morris 206/387

4,620,630 11/1986 Moss 206/45.24

4,634,004 1/1987 Mortensen 206/387

4,635,797 1/1987 Bankier 206/472

4,640,413 2/1987 Kaplan et al. 206/232

4,760,914 8/1988 Gelardi et al. 206/307

Primary Examiner—Bernard Ansher
 Assistant Examiner—Prabhakar Deshmukh
 Attorney, Agent, or Firm—Staas & Halsey

[57] CLAIM

The ornamental design for a theft resistant container, as shown and described.

DESCRIPTION

FIG. 1 is a top exploded perspective view of a theft resistant container showing our new design; FIG. 2 is a bottom plan view thereof; FIG. 3 is a front elevational view thereof, the rear side elevational view being a mirror image; and FIG. 4 is a left side elevational view thereof, the right side elevational view being a mirror image thereof. The broken line showing of printed insert, compact disc and compact disc jewel box in FIG. 1 is for illustrative purposes only and forms no part of the claimed design.

[56] References Cited

U.S. PATENT DOCUMENTS

D. 270,225	8/1983	Chiulli	D9/341 X
3,242,605	3/1966	Kleinschmidt	D14/123 X
3,656,612	4/1972	Sellors	206/45.14
3,776,374	12/1973	Medendorp	206/45.14
3,871,516	3/1975	Holkestad et al.	206/45.31
4,145,726	3/1979	Conaty	360/133
4,245,741	1/1981	Holkestad	220/22 X
4,365,708	12/1982	Tyus	206/309

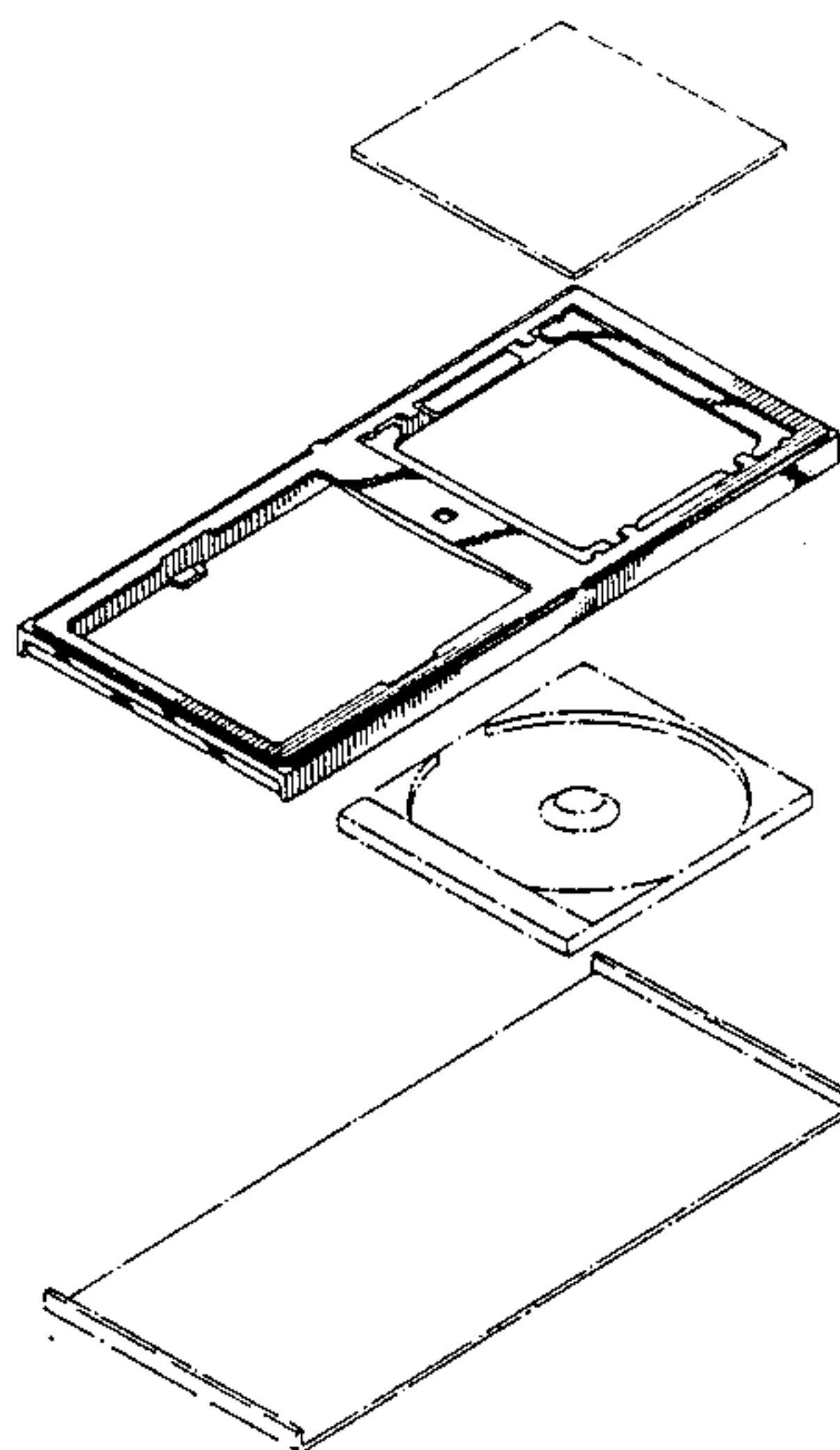


FIG. 1.

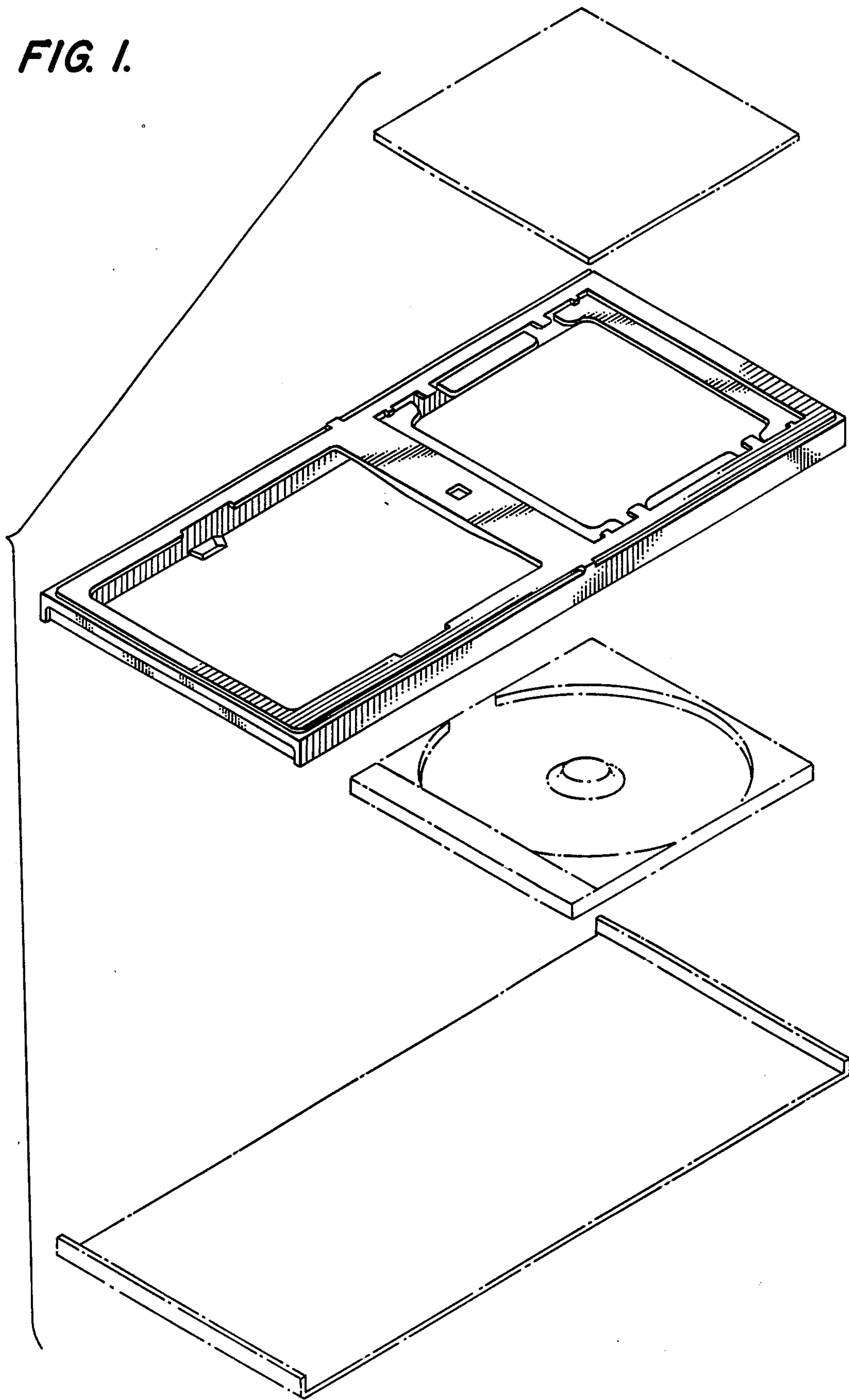


FIG. 2.

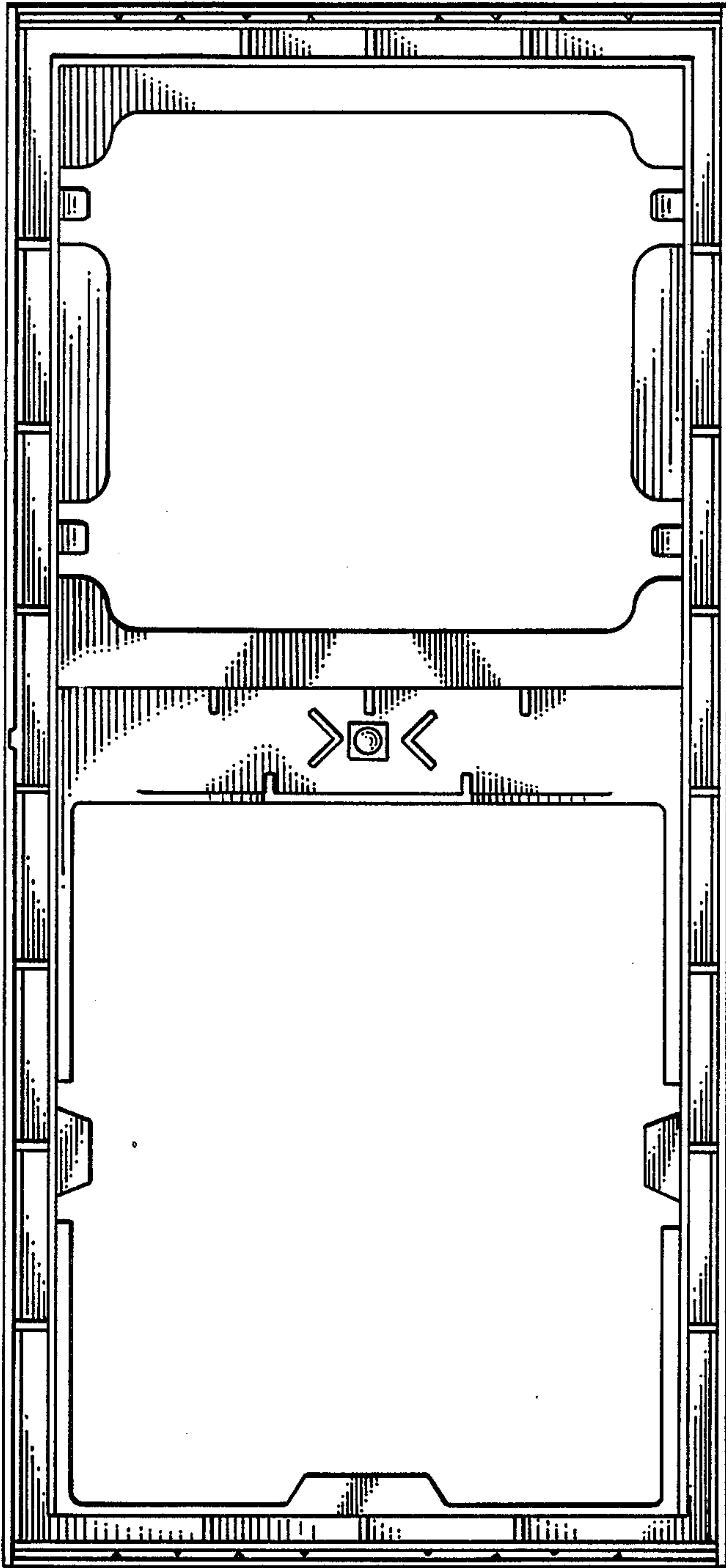


FIG. 3.



FIG. 4.

