

[54] **COMBINED NUT AND GUARD CAP**

[76] **Inventor: Toshihiko Saito, 12-6, Shimouma  
6-chome, Setagaya-ku, Tokyo, Japan**

[\*\*] **Term: 14 Years**

[21] **Appl. No.: 75,857**

[22] **Filed: Jul. 20, 1987**

[52] **U.S. Cl. .... D8/397**

[58] **Field of Search ..... D8/397; 411/427, 429,  
411/432, 955**

[56] **References Cited**

**U.S. PATENT DOCUMENTS**

D. 254,292	2/1980	Kruger	.....	D8/397
D. 295,370	4/1988	Carlo	.....	D8/397
1,830,787	11/1931	Ferry	.....	411/429
4,669,937	6/1987	Feldman	.....	411/429
4,715,756	12/1987	Danico et al.	.....	411/432

**OTHER PUBLICATIONS**

Product Engineering; 4/13/59; p. 118; Nut.

*Primary Examiner*—B. J. Bullock

*Attorney, Agent, or Firm*—Wenderoth, Lind & Ponack

[57] **CLAIM**

The ornamental design for a combined nut and guard cap, as shown and described.

**DESCRIPTION**

FIG. 1 is a top and front perspective view of a combined nut and guard cap, showing my new design;

FIG. 2 is a front elevational view thereof;

FIG. 3 is a right side elevational view thereof;

FIG. 4 is a top plan view thereof;

FIG. 5 is a bottom plan view thereof;

FIG. 6 is a top and front exploded perspective view thereof;

FIG. 7 is a longitudinal sectional view thereof, the panels and bolt being shown in broken lines for illustrative purposes only.

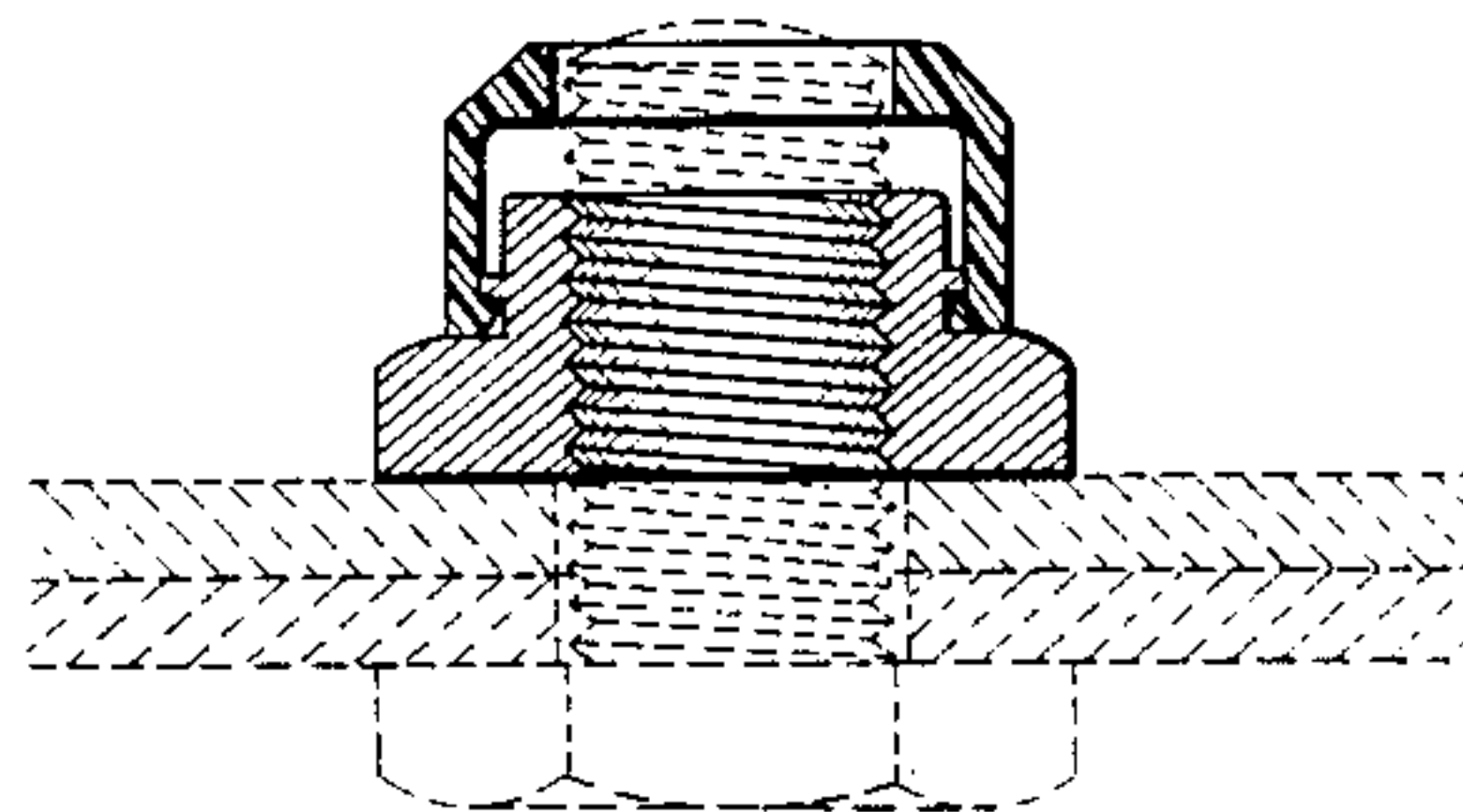
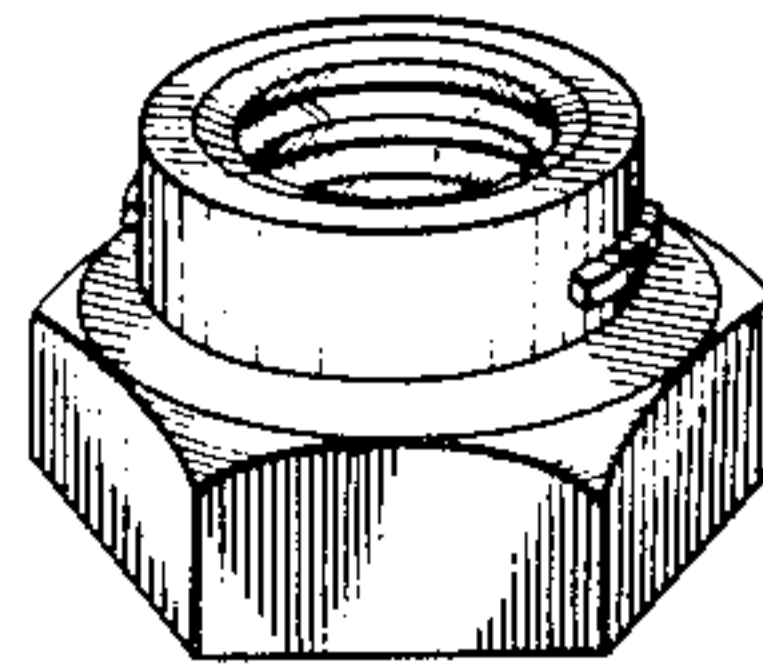
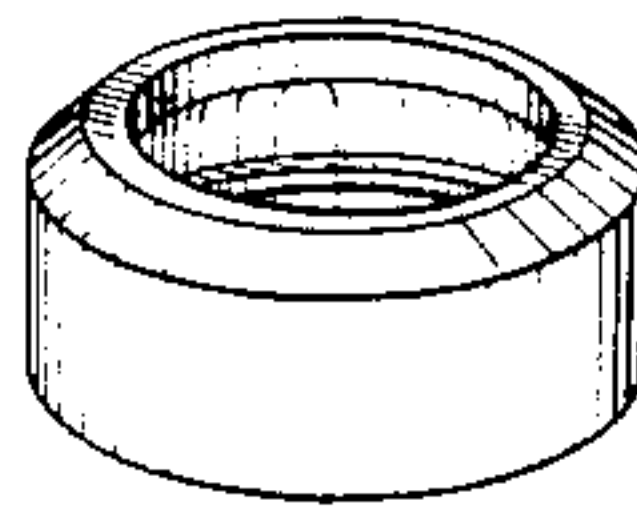


FIG. 1

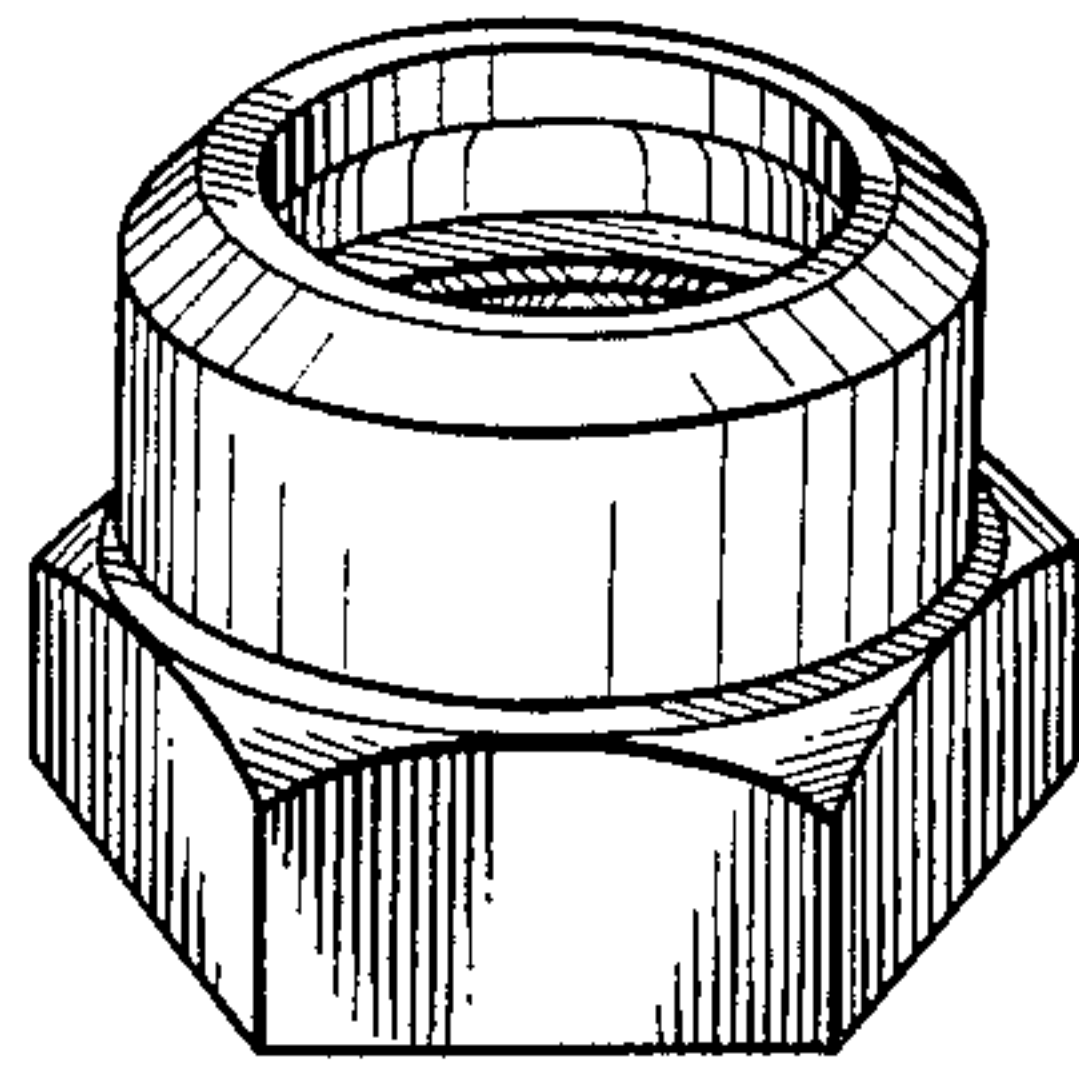


FIG. 2

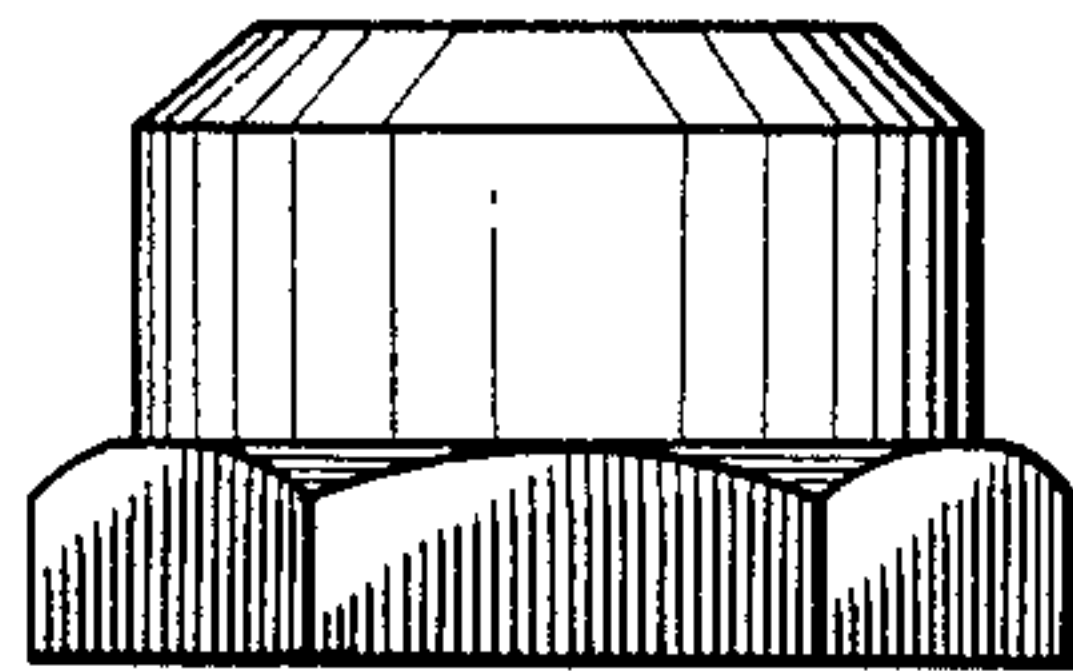


FIG. 3

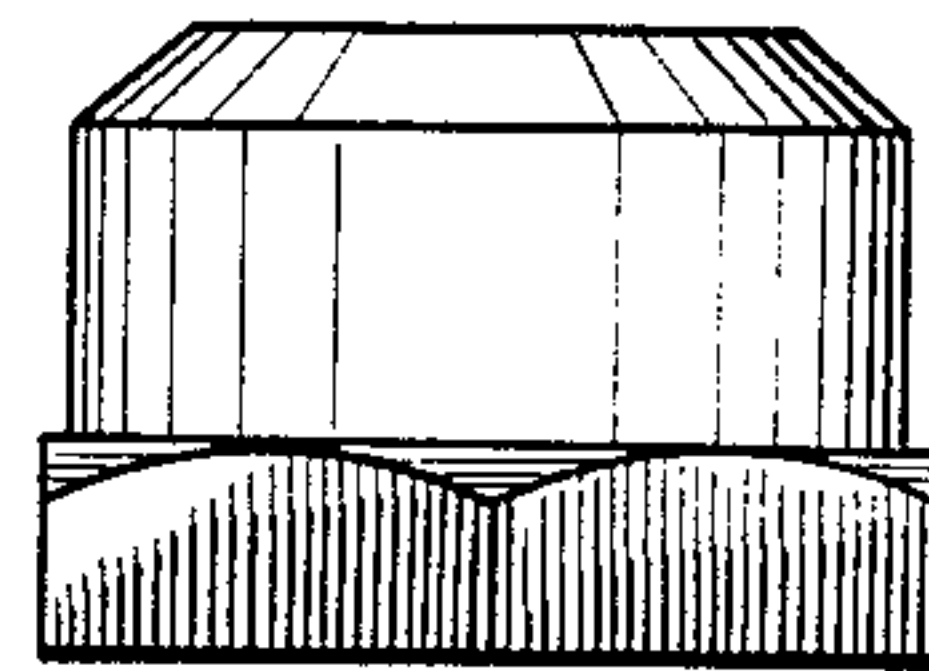


FIG. 4

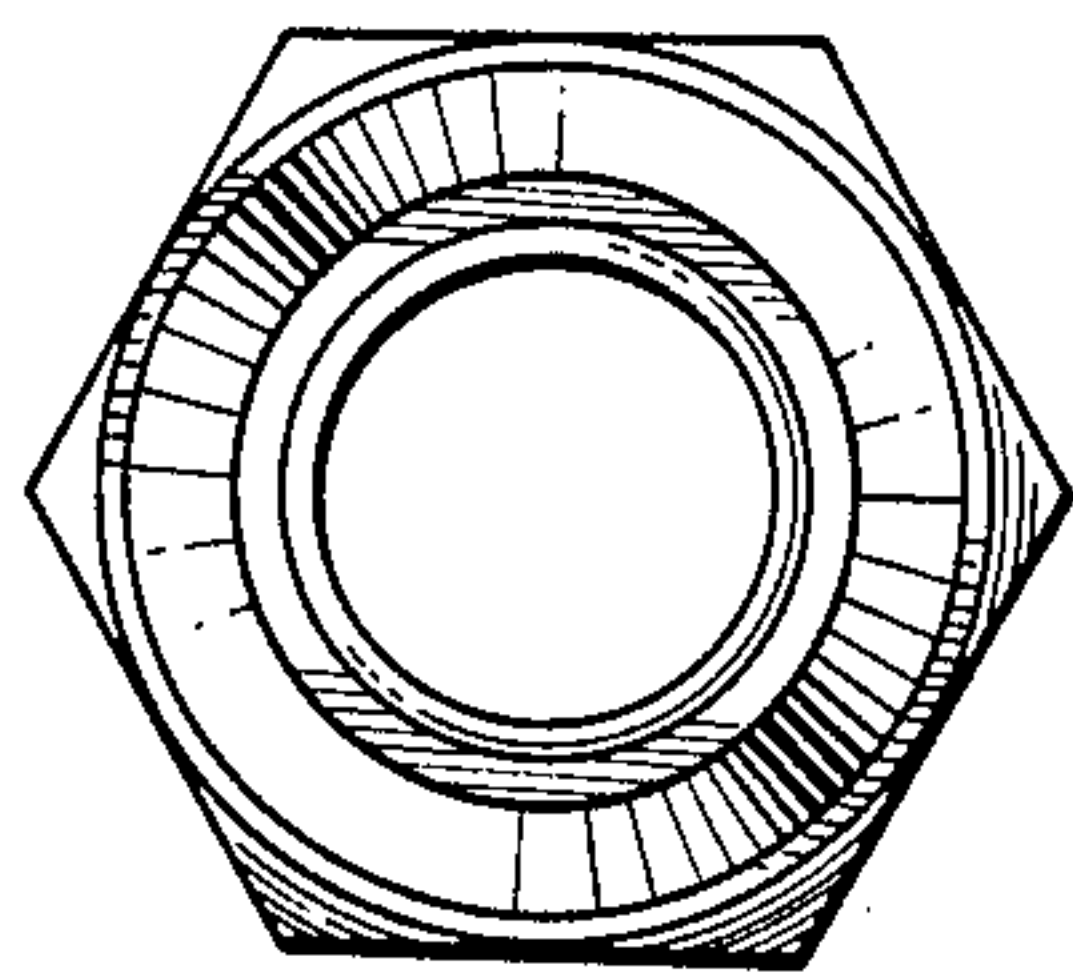


FIG. 5

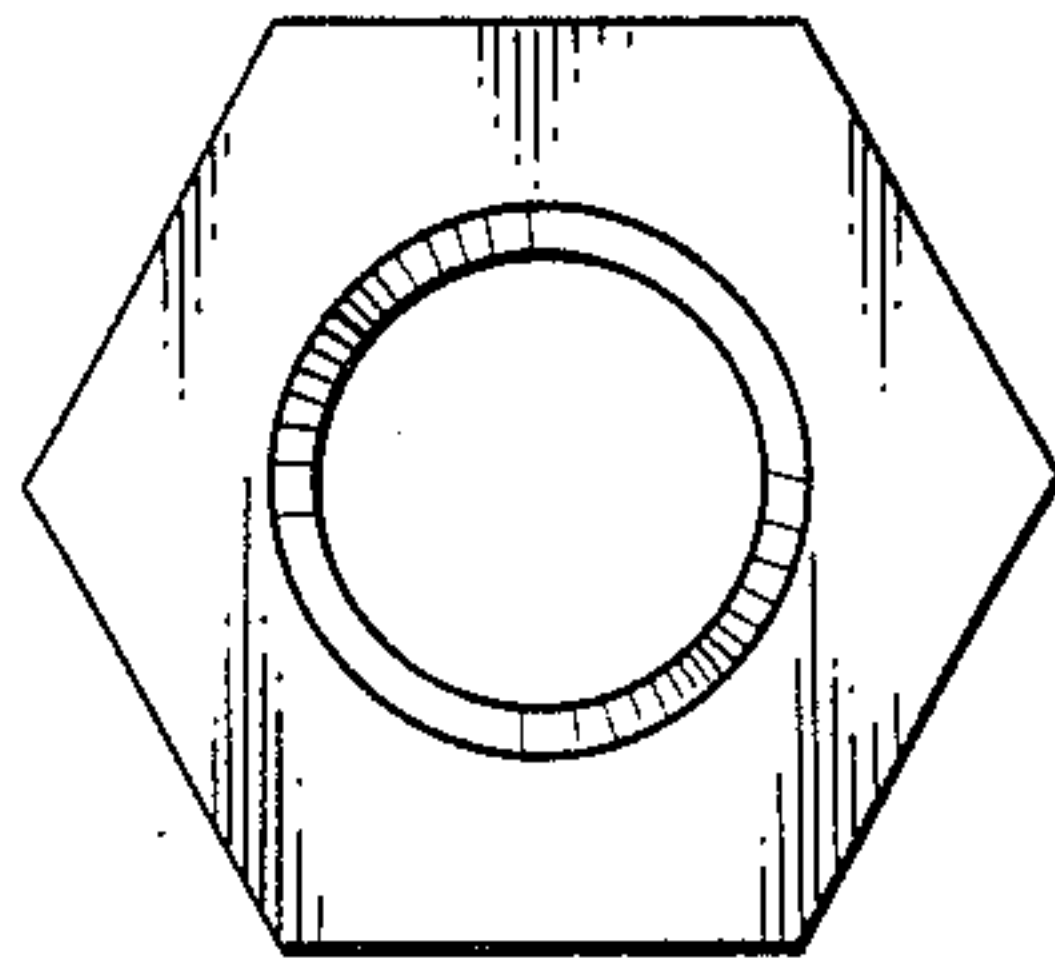


FIG. 6

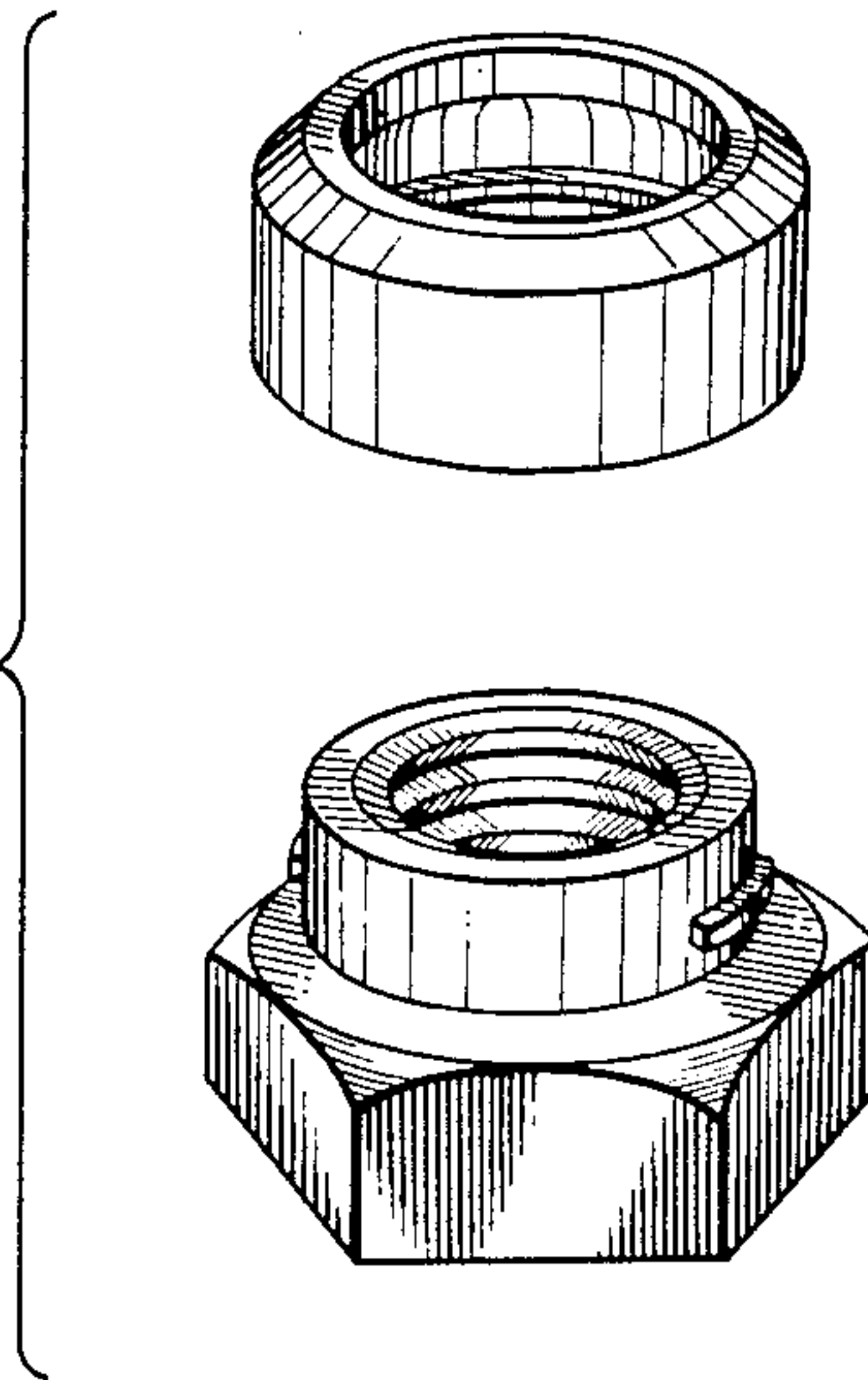


FIG. 7

