

United States Patent [19]

Whitaker

[11] Patent Number: **Des. 311,130**

[45] Date of Patent: **** Oct. 9, 1990**

[54] **WALL SUPPORT BRACKET**

[75] Inventor: **Richard J. Whitaker**, Channel Islands, Channel Islands

[73] Assignee: **Commercial Brains Limited**, Channel Islands, Channel Islands

[**] Term: **14 Years**

[21] Appl. No.: **156,664**

[22] Filed: **Feb. 17, 1988**

[30] **Foreign Application Priority Data**

Aug. 17, 1987 [GB] United Kingdom 1044222

[52] U.S. Cl. **D8/381**

[58] Field of Search D8/380, 381; 248/298, 248/292.1, 285, 290, 289.1; D6/556

[56] **References Cited**

U.S. PATENT DOCUMENTS

D. 227,219 6/1973 Rastocny D8/380
D. 266,461 10/1982 Helzen D8/380 X
D. 266,827 11/1982 Withrow D8/380 X
D. 275,431 9/1984 Dsab D8/380 X
D. 286,156 10/1986 Mastrodicasa D8/381

D. 292,264 10/1987 Staufenberg et al. D8/380
1,050,395 1/1913 Schleicher 248/298
3,705,610 12/1972 Baudras 248/292.1
4,500,251 2/1985 Kiryn et al. 248/292.1
4,685,649 11/1987 McKay 248/292.1 X
4,756,204 7/1988 Wittwer et al. 248/292.1

Primary Examiner—Horace B. Fay, Jr.

Attorney, Agent, or Firm—Wenderoth, Lind & Ponack

[57] **CLAIM**

The ornamental design for wall support bracket, as shown.

DESCRIPTION

FIG. 1 is a left side elevational view of a wall support bracket showing my new design;

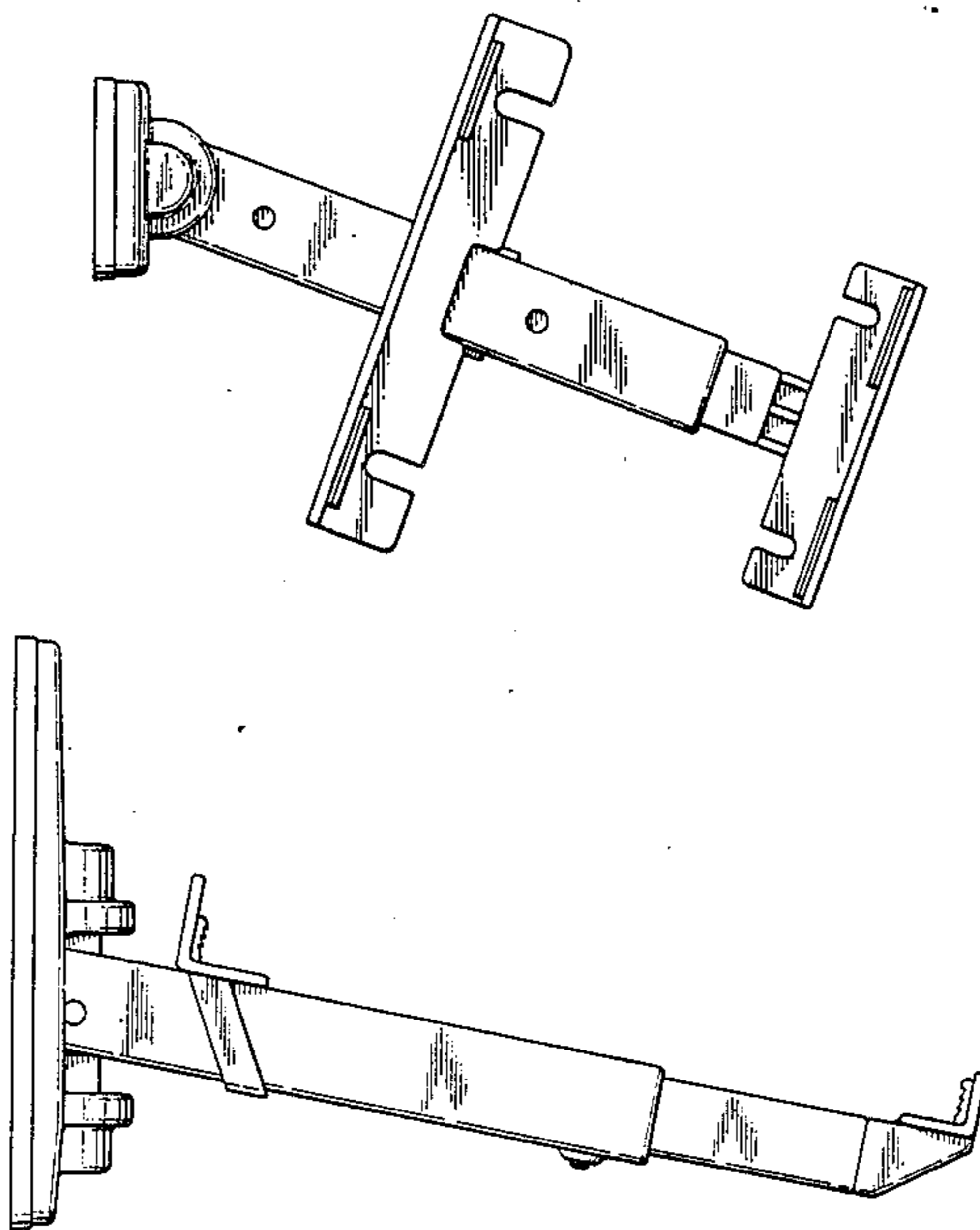
FIG. 2 is a top plan view thereof;

FIG. 3 is a front elevational view thereof;

FIG. 4 is a bottom plan view thereof;

FIG. 5 is a top plan view thereof with the arm in an alternative position, and with the bottom plan view being a mirror image; and

FIG. 6 is a left side elevational view thereof with adjustable clasp parts in alternative positions and with the arm extended and lowered, the side opposite thereof being a mirror image;



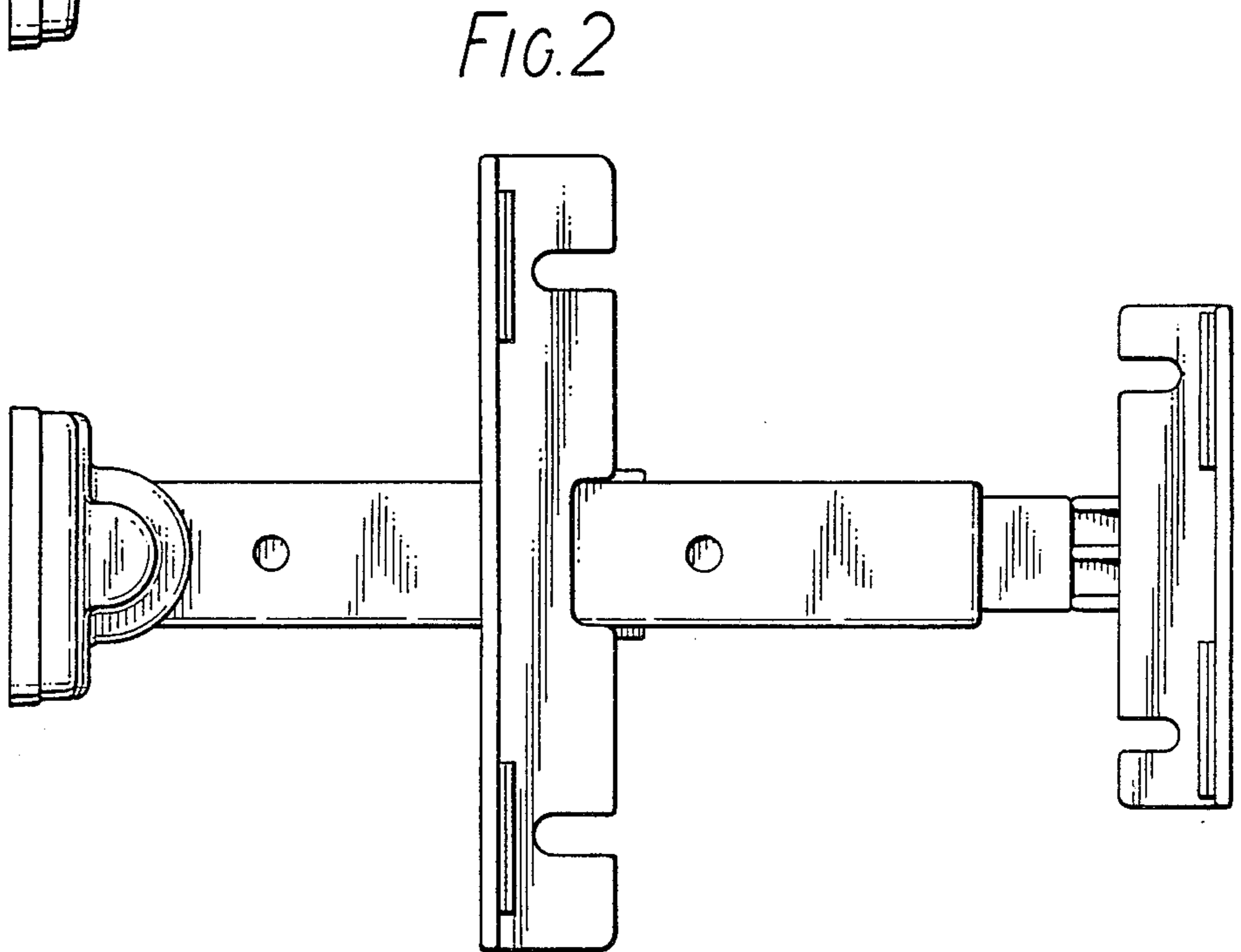
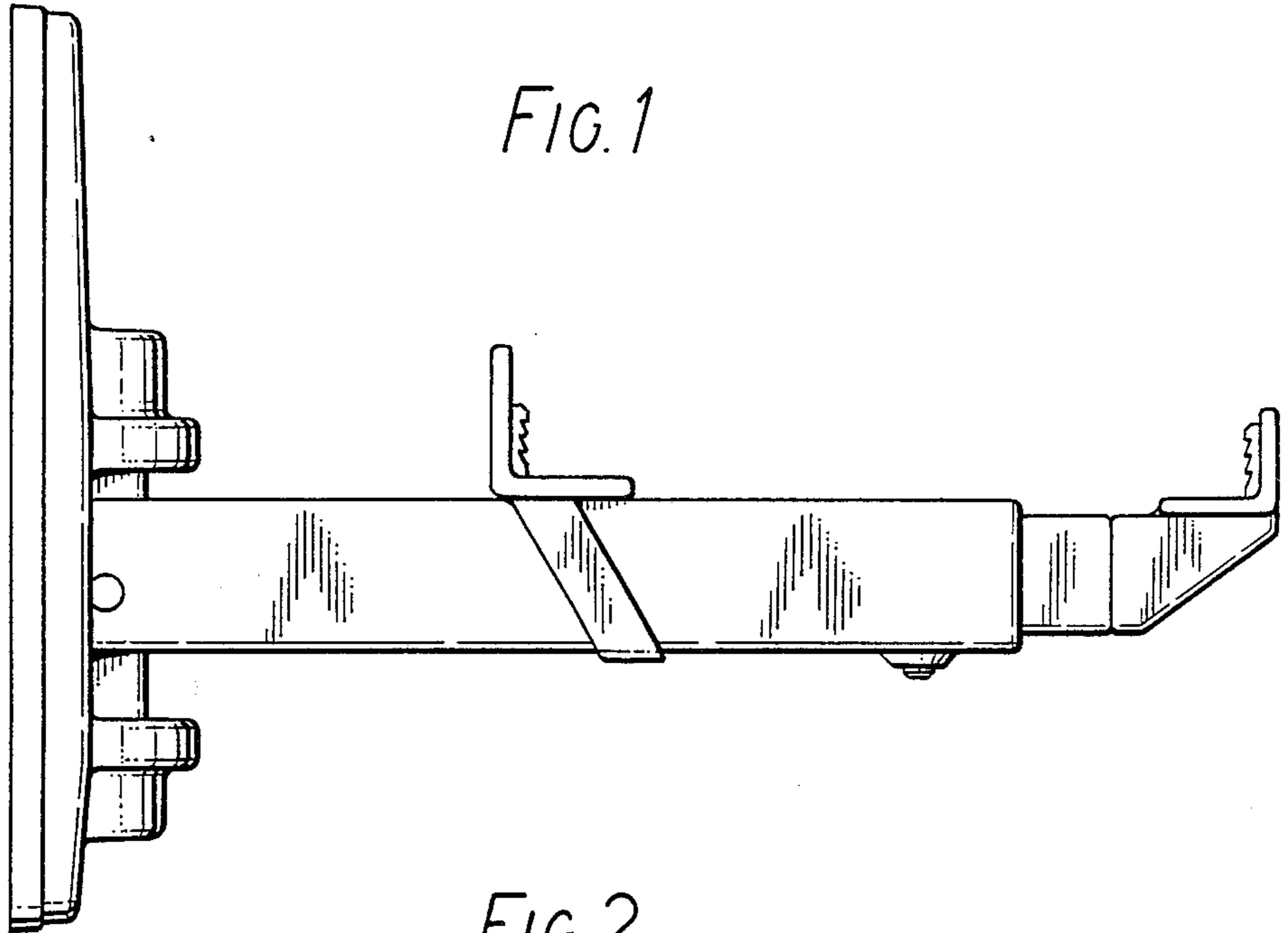


FIG. 3

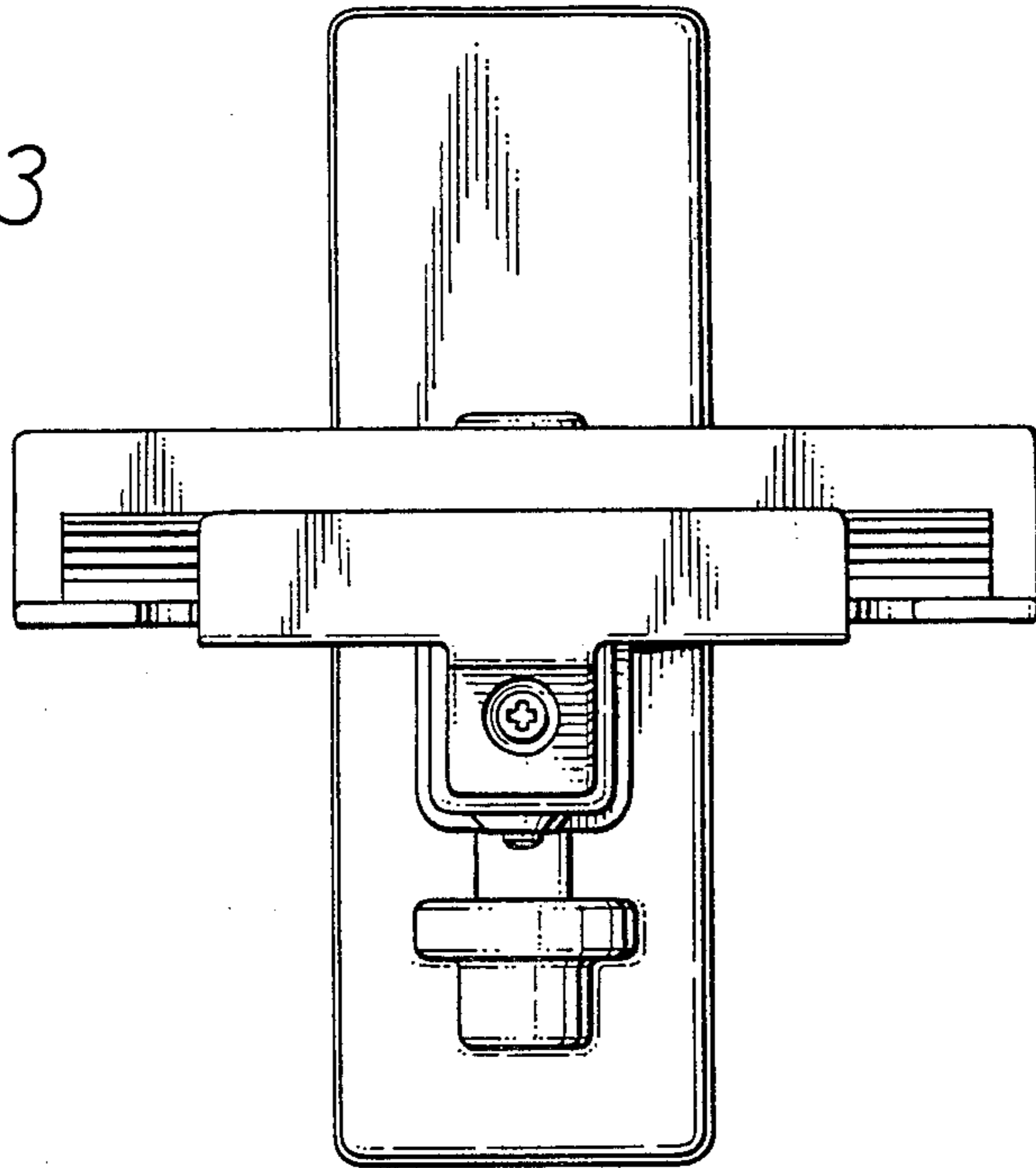
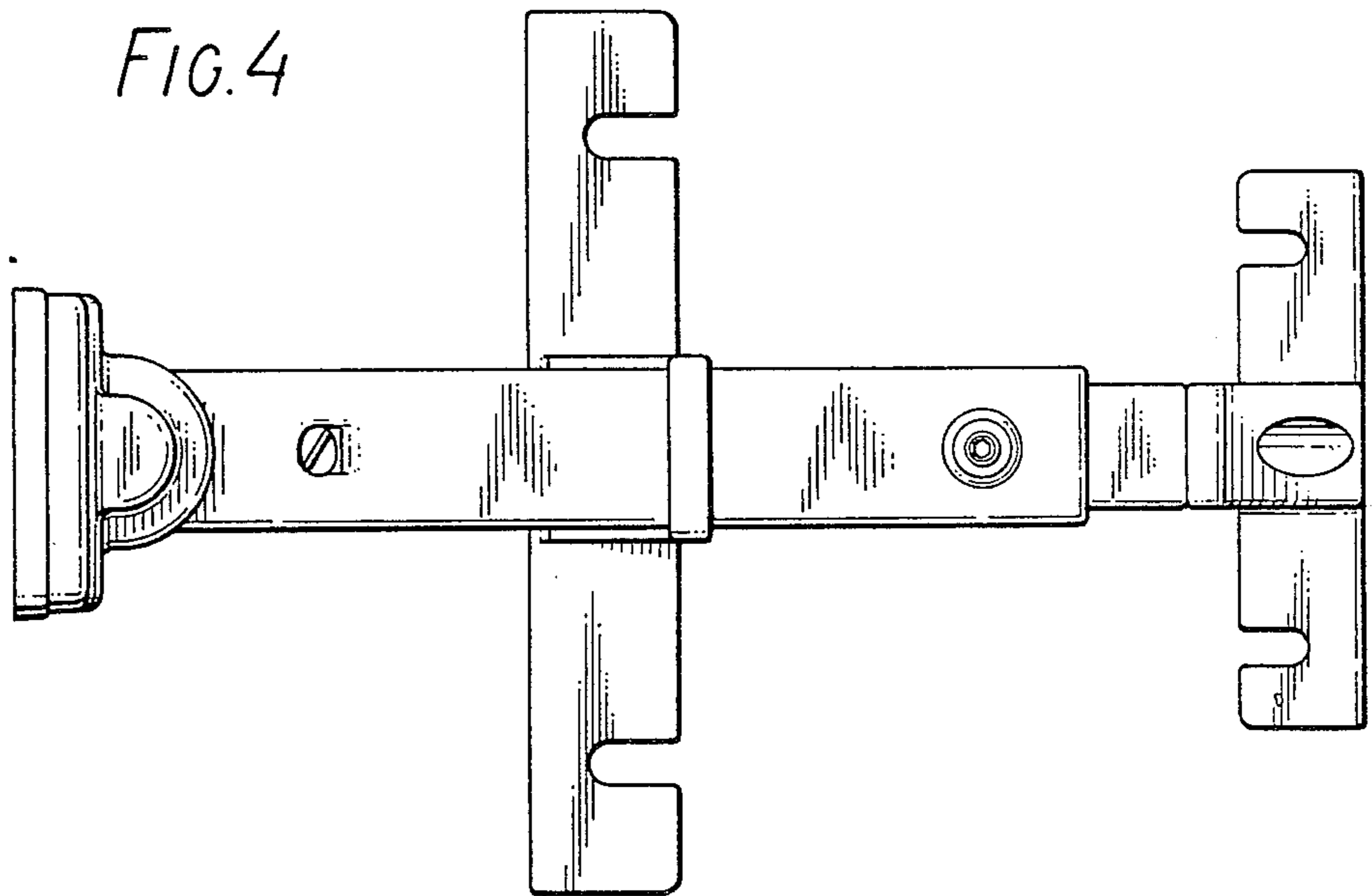


FIG. 4



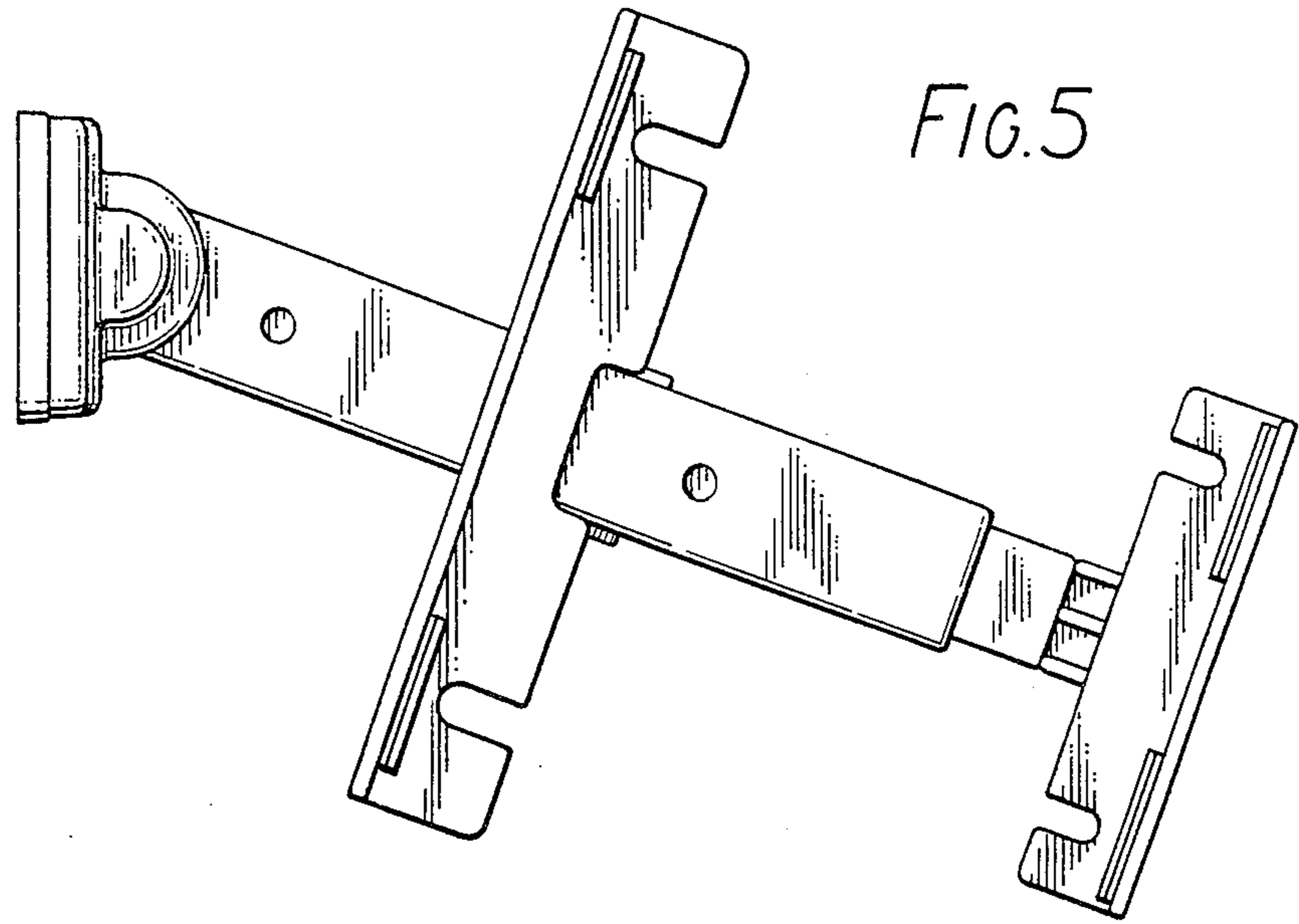


FIG. 5

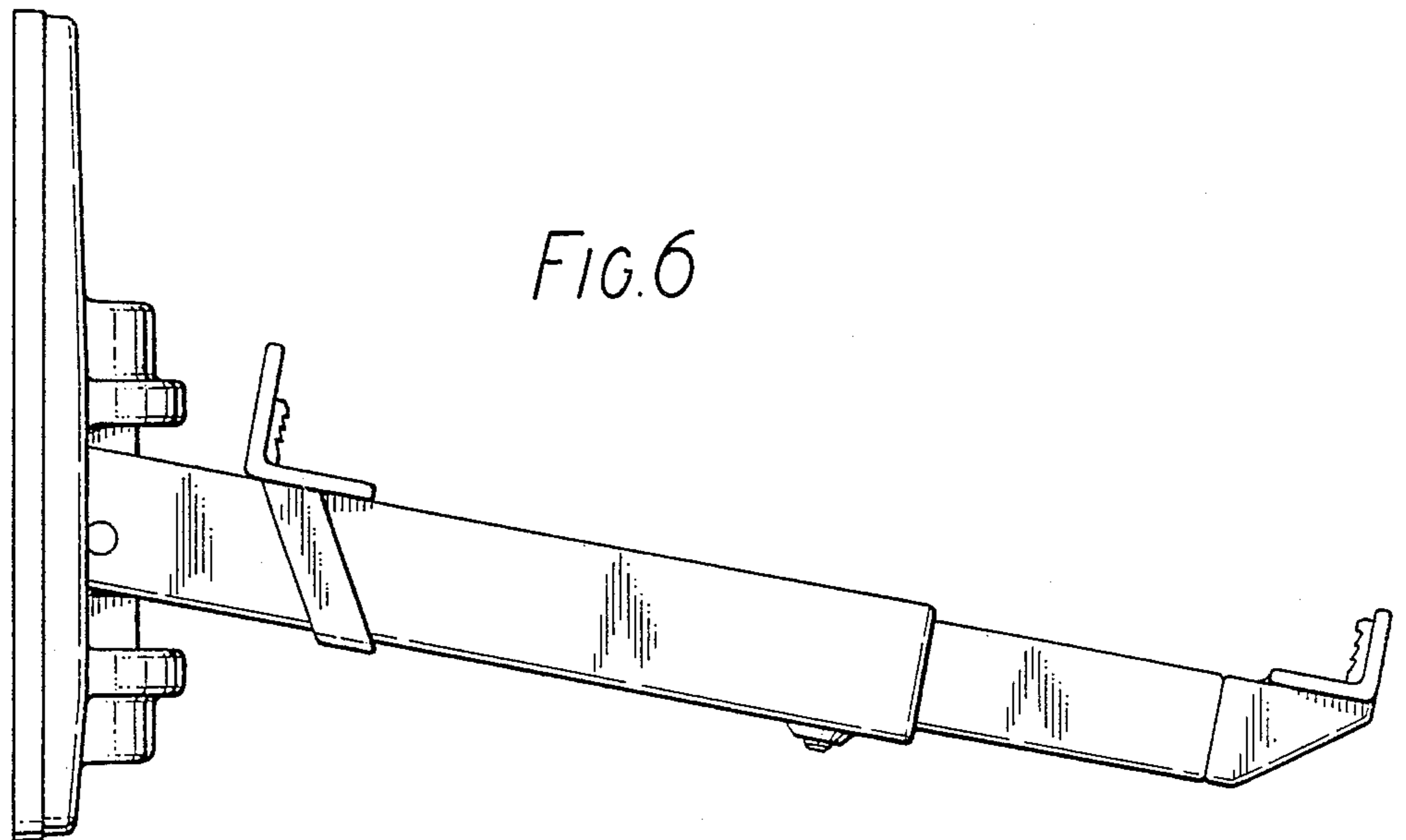


FIG. 6