

[54] **GOLF CART UMBRELLA BRACKET**
 [75] **Inventor: George T. Barnhill, III, Wilmington, Del.**
 [73] **Assignee: 911 Inc., Wilmington, Del.**
 [**] **Term: 14 Years**
 [21] **Appl. No.: 380,268**
 [22] **Filed: Jul. 17, 1989**
 [52] **U.S. Cl. D8/373; D12/16; D34/15; 248/514**
 [58] **Field of Search D8/373; D12/16; 248/514, 515; 280/DIG. 6**

418078 3/1910 France 248/514
 609843 5/1926 France 248/515
 13378 of 1896 United Kingdom 248/514

Primary Examiner—Horace B. Fay, Jr.
Attorney, Agent, or Firm—Connolly & Hutz

[57] **CLAIM**

The ornamental design for a golf cart umbrella bracket, as shown and described.

DESCRIPTION

FIG. 1 is a front elevational view of a golf cart umbrella bracket, mounted upon the seat assembly of a golf cart that is represented in broken lines showing my new design;

FIG. 2 is a right side elevational view thereof, the side opposite being a mirror image;

FIGS. 3 and 5 are respectively top and bottom plan views thereof;

FIG. 4 is a rear elevational view thereof;

FIG. 6 is a front elevational view of a second embodiment golf cart umbrella bracket attached to the front of a golf cart basket that is shown in broken lines;

FIG. 7 is a right side elevational view thereof, the side opposite being a mirror image;

FIGS. 8 and 10 are respectively top and bottom plan views thereof; and

FIG. 9 is a rear elevational view thereof.

The broken line showing of umbrella, seat assembly and golf cart basket in FIGS. 1, 2, 6 and 7 is for illustrative purposes only and forms no part of the claimed design.

[56] **References Cited**

U.S. PATENT DOCUMENTS

D. 184,547	3/1959	Walker	D12/16
D. 194,530	2/1963	Woock et al.	D12/16 X
923,596	6/1909	Staples	248/514
1,020,846	3/1912	Rauch	248/514
1,162,608	11/1915	Hohl et al.	248/514
2,605,778	8/1952	Clapper	248/514 X
2,618,285	11/1952	Heisig	248/514 X
2,822,143	2/1958	Johansen	D34/15 X
3,304,035	2/1967	Davis	248/514 X
4,008,874	2/1977	Conway, Sr.	280/DIG. 6 X
4,832,362	5/1989	Chen	D34/15 X

FOREIGN PATENT DOCUMENTS

9124	12/1905	Denmark	248/515
------	---------	---------	-------	---------

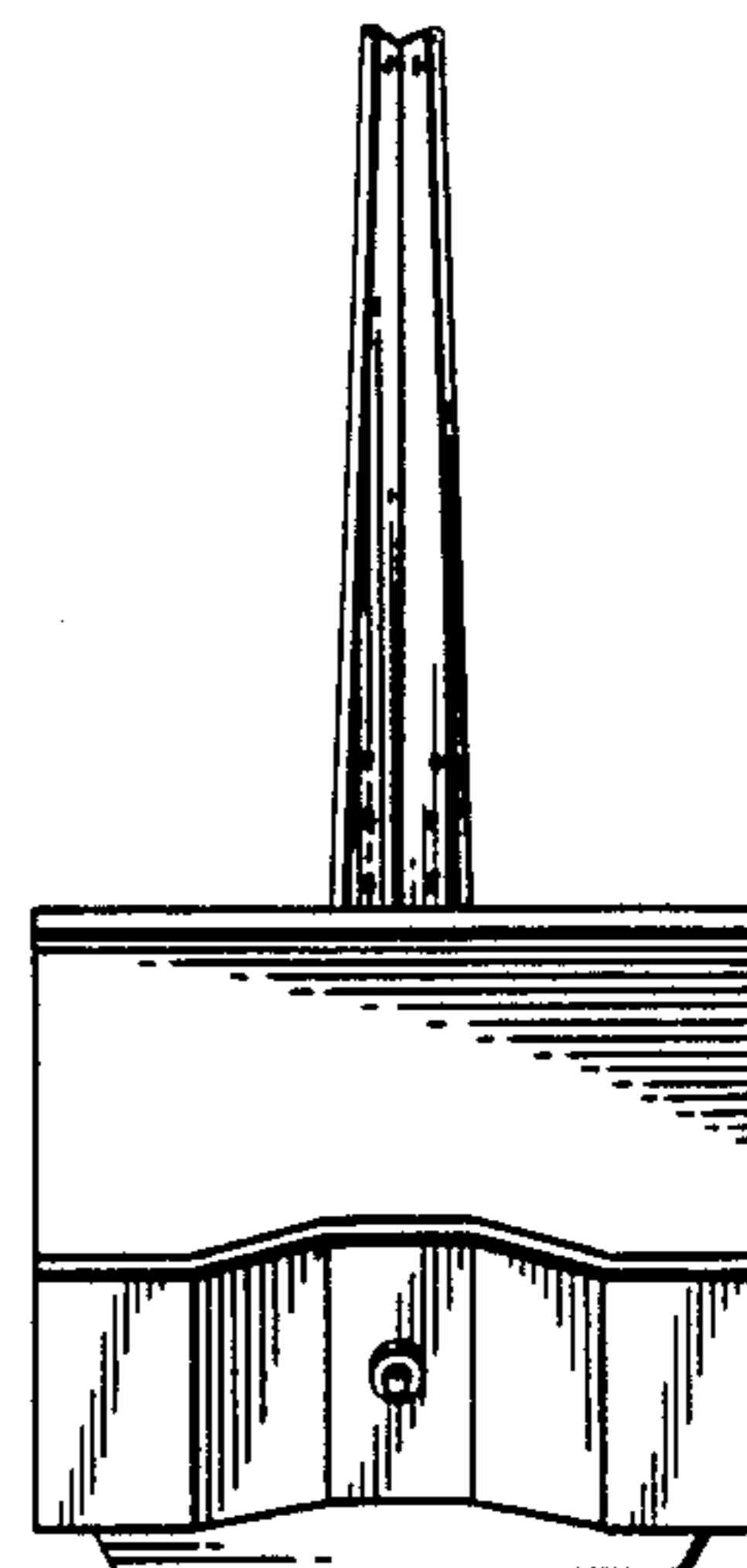
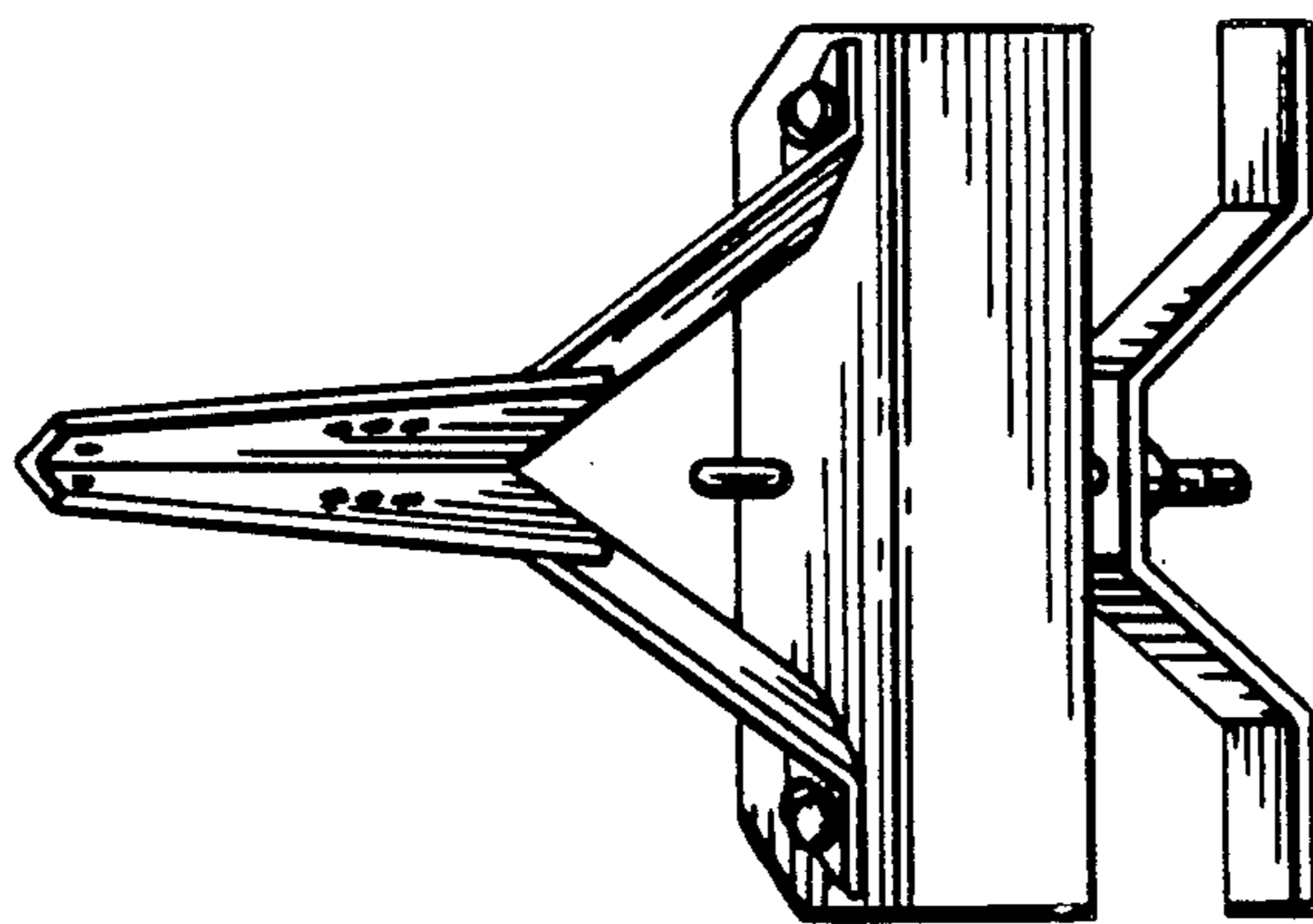


Fig. 1.

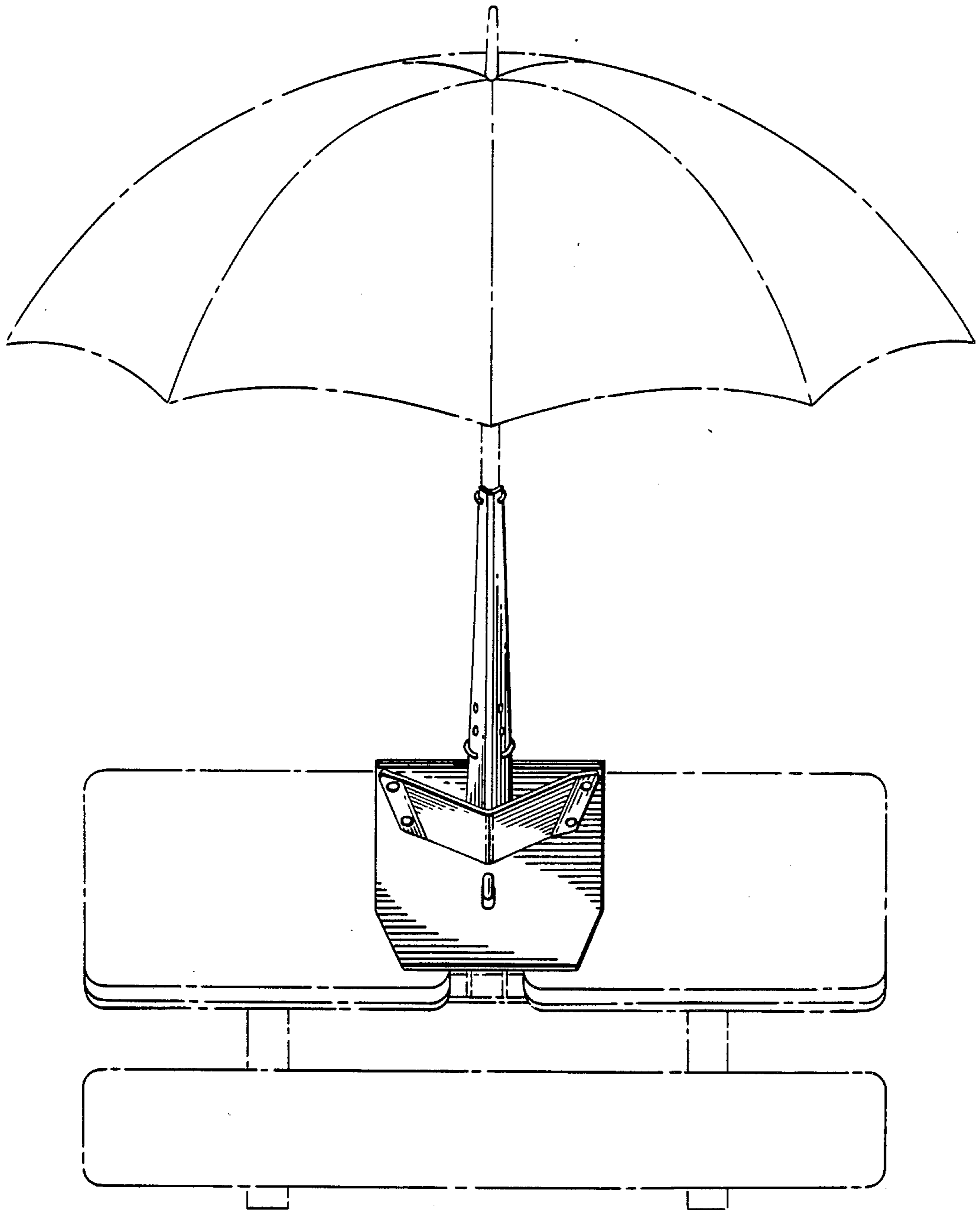


Fig. 3.

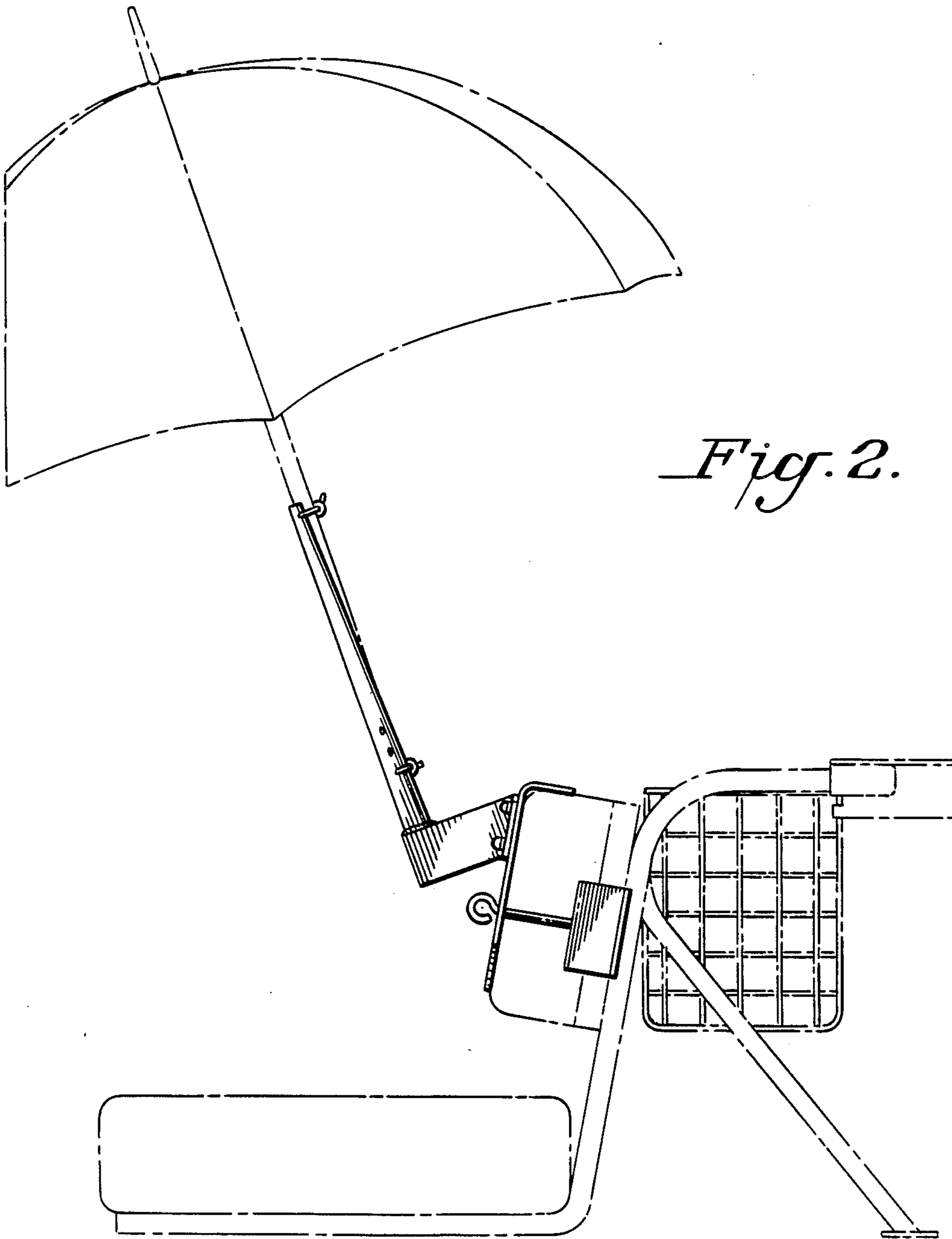
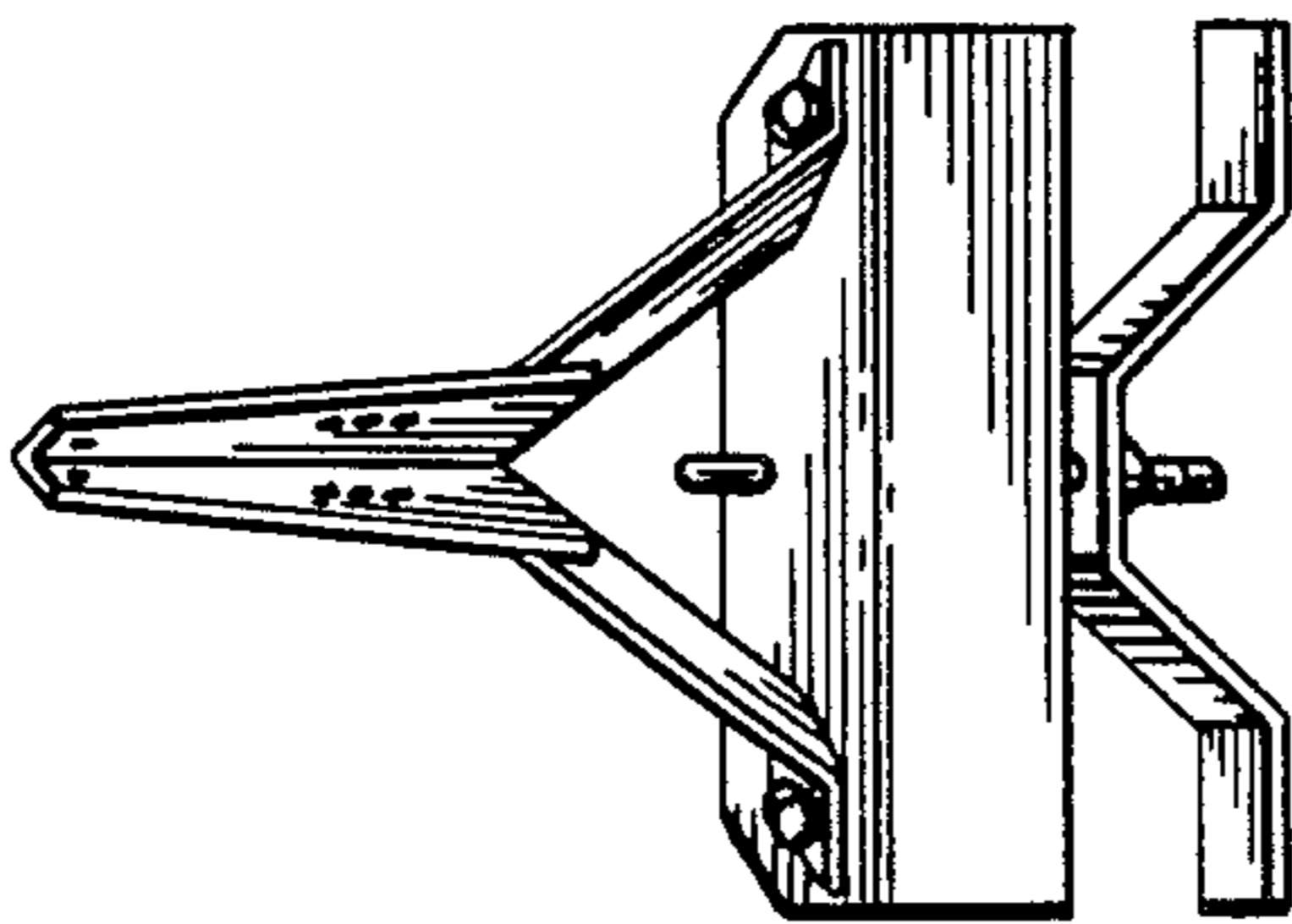


Fig. 2.

Fig. 4.

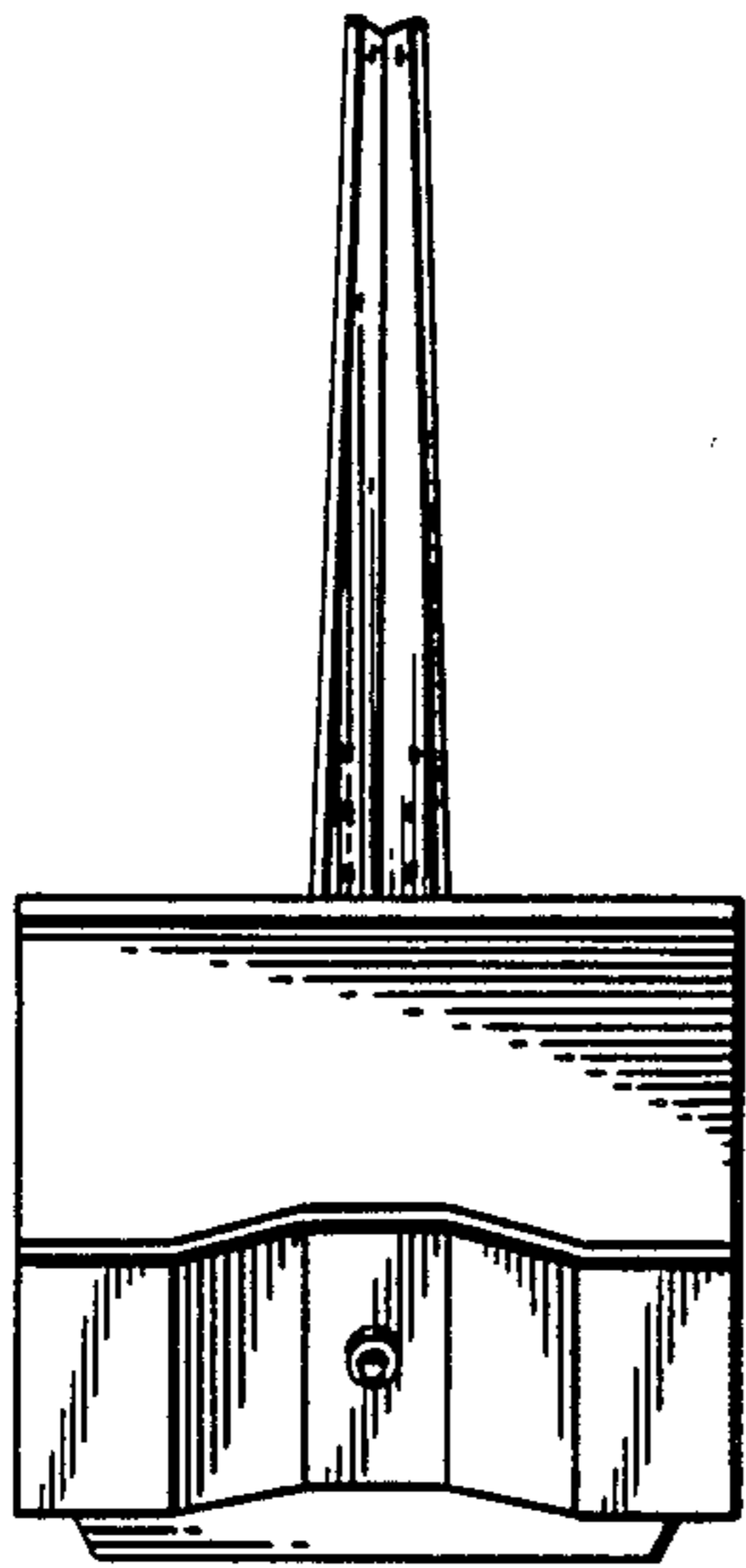


Fig. 5.

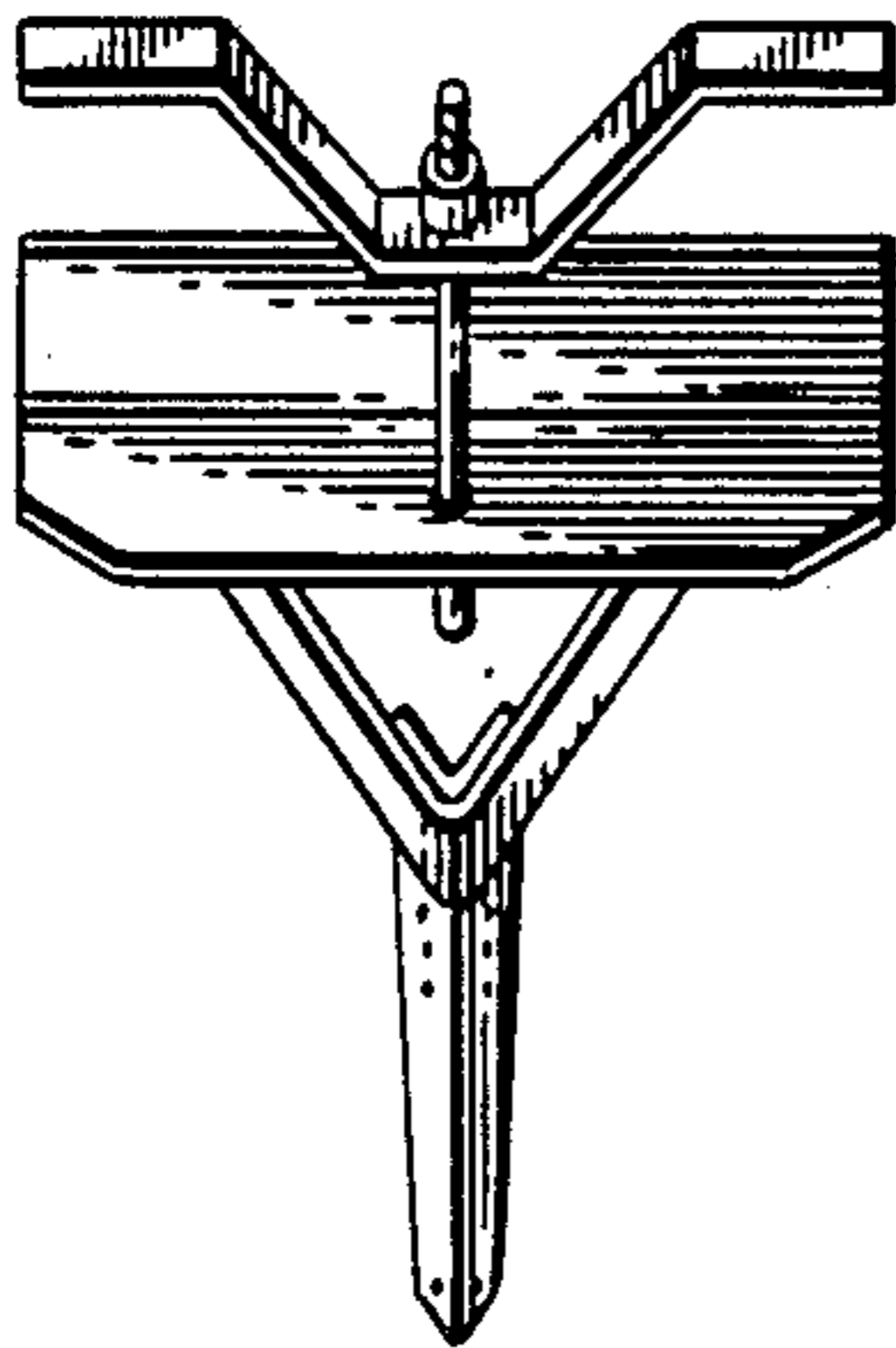


Fig. 6.

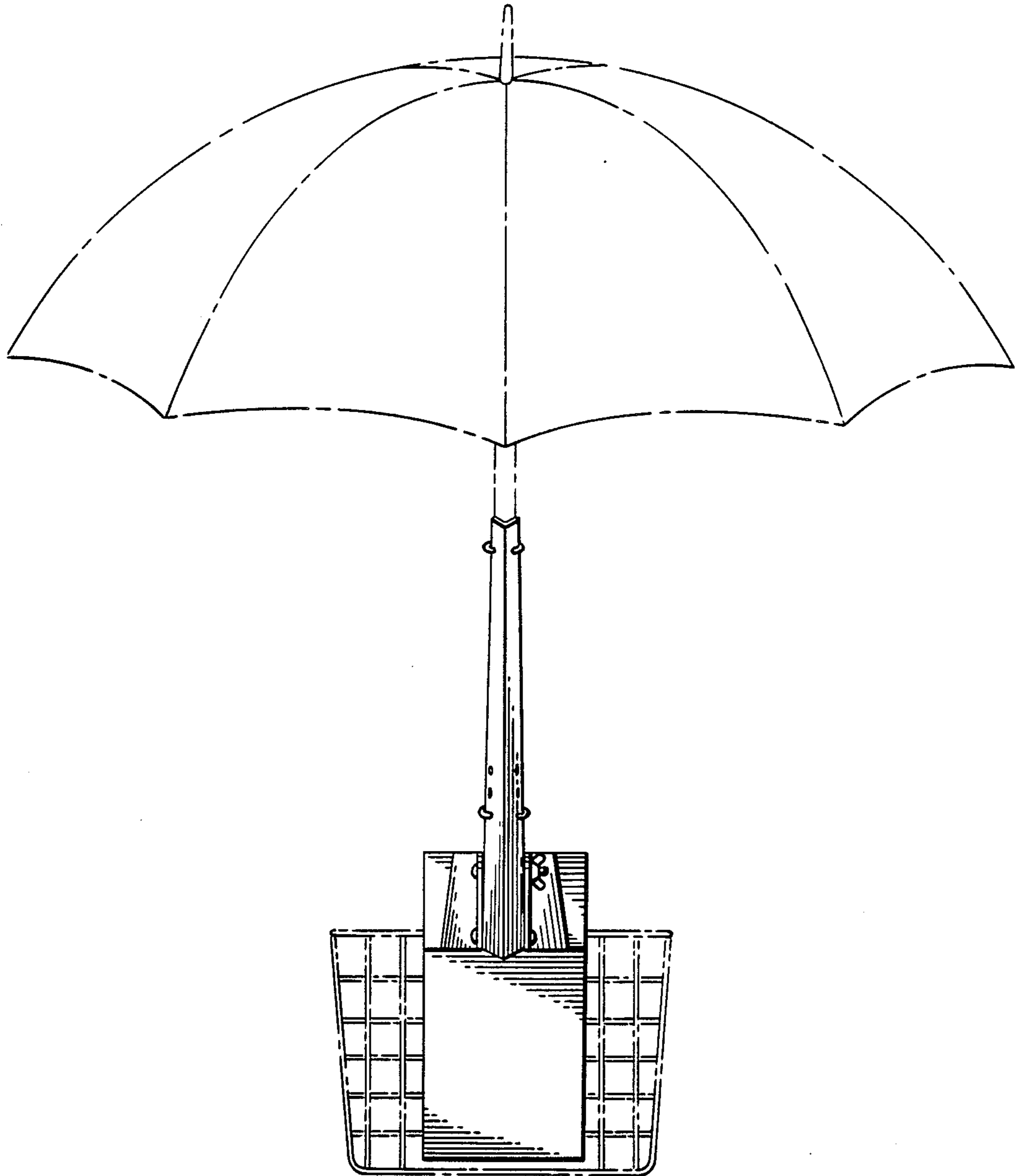


Fig. 8.

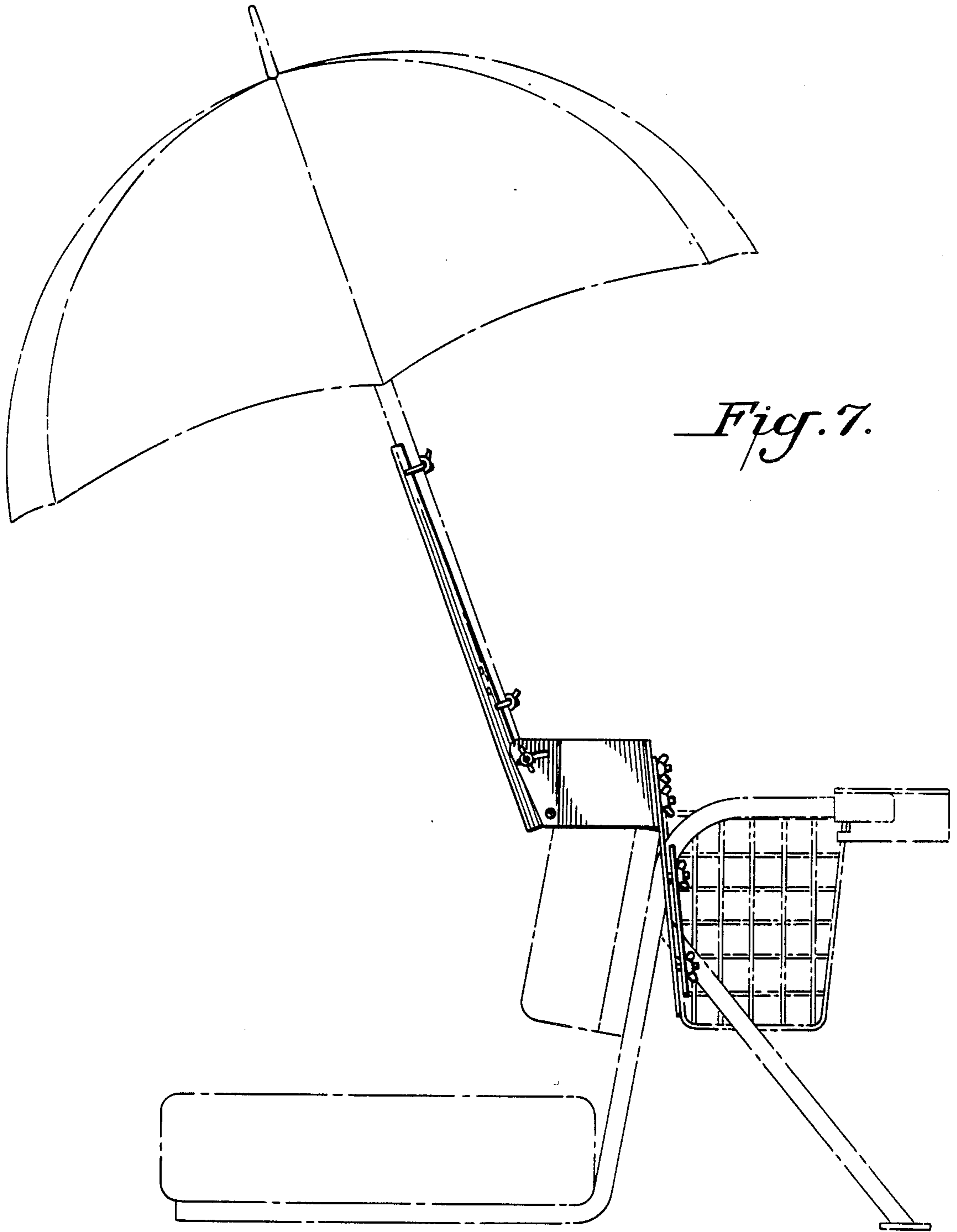
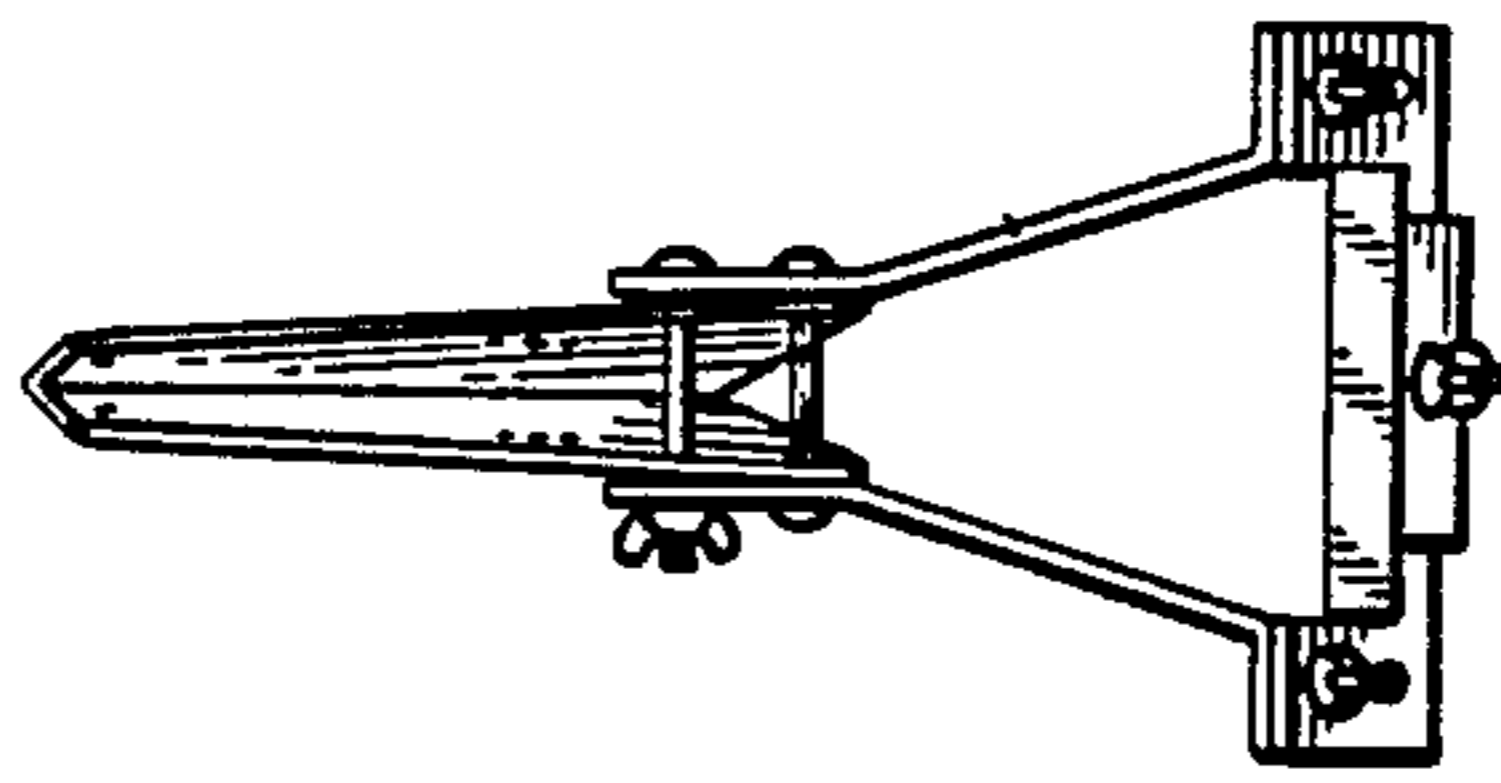


Fig. 7.

Fig. 9.

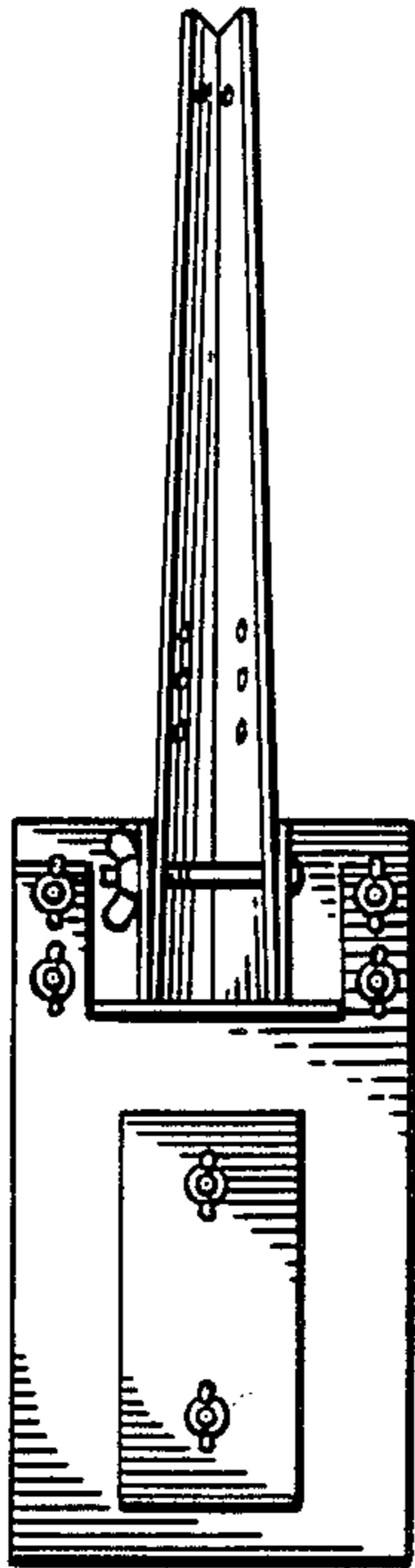


Fig. 10.

