

[54] **ARTICLE HOLDING DEVICE**

[75] **Inventor: Franklin L. Breveglieri, Spring Lake, Mich.**

[73] **Assignee: Geerpres, Inc., Muskegon, Mich.**

[**] **Term: 14 Years**

[21] **Appl. No.: 83,429**

[22] **Filed: Aug. 10, 1987**

[52] **U.S. Cl. D8/373; D6/554**

[58] **Field of Search D8/380, 173; D6/553; 248/113, 316.1, 316.2, 316.4, 66, 229; 211/65**

[56] **References Cited**

U.S. PATENT DOCUMENTS

D. 25,176	2/1896	Lovejoy	D6/554
D. 46,489	9/1914	Ziegmas	D8/373
120,818	11/1871	Isham .	
458,332	8/1891	Bulla	248/316 F
481,455	8/1892	Worden	211/65
489,678	1/1893	Griffin .	
515,817	3/1894	Burbank	248/316 F
867,199	9/1907	Jack .	
994,790	6/1911	Richards .	
1,139,595	5/1915	Starr	211/65
1,279,440	9/1918	Reimer	248/113
1,309,125	7/1919	Ford	211/65
1,380,932	6/1921	Shreve	248/113
1,393,265	10/1921	Cooper	211/65
1,414,541	5/1922	Arey et al.	211/65
1,444,874	2/1923	Hahn	211/65

1,485,092	2/1924	Rauchut	211/65
1,494,252	5/1924	Kane	248/113
1,674,581	6/1928	Webb .	
1,803,071	4/1931	Poulin	211/65
1,903,554	5/1933	Rauchut .	
2,518,289	8/1950	Cox	248/229
2,723,762	11/1955	Leiser	211/65
2,909,347	10/1959	Bass	248/113
3,013,756	12/1961	Boston	248/113
3,178,144	4/1965	Bloom	248/113
3,294,350	12/1966	Grottola	248/113
3,672,619	6/1972	Bowen	248/113
4,134,499	12/1979	Joswig	211/66
4,325,484	4/1982	Benny	D8/373 X

Primary Examiner—Horace B. Fay, Jr.
Attorney, Agent, or Firm—Harness, Dickey & Pierce

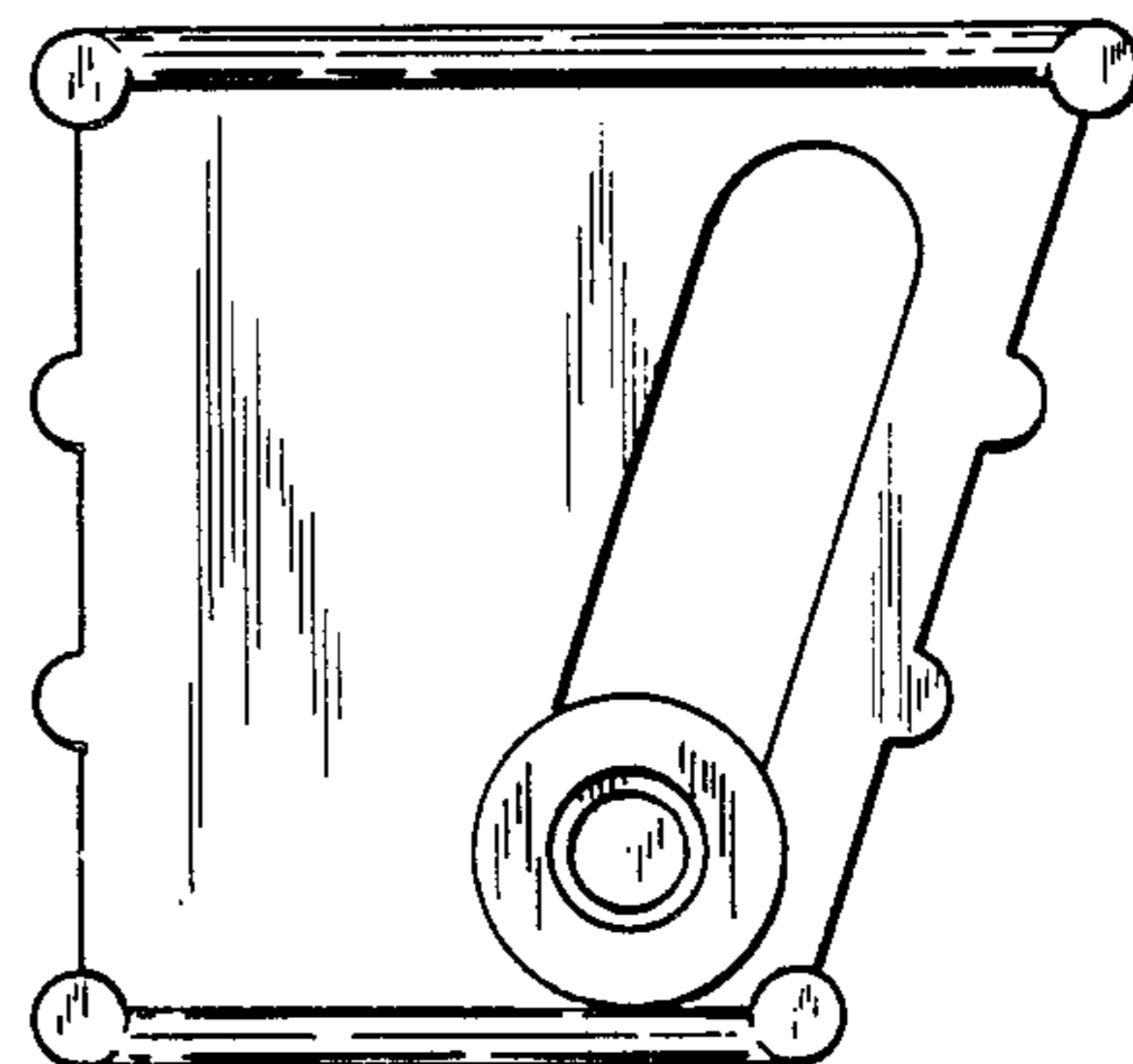
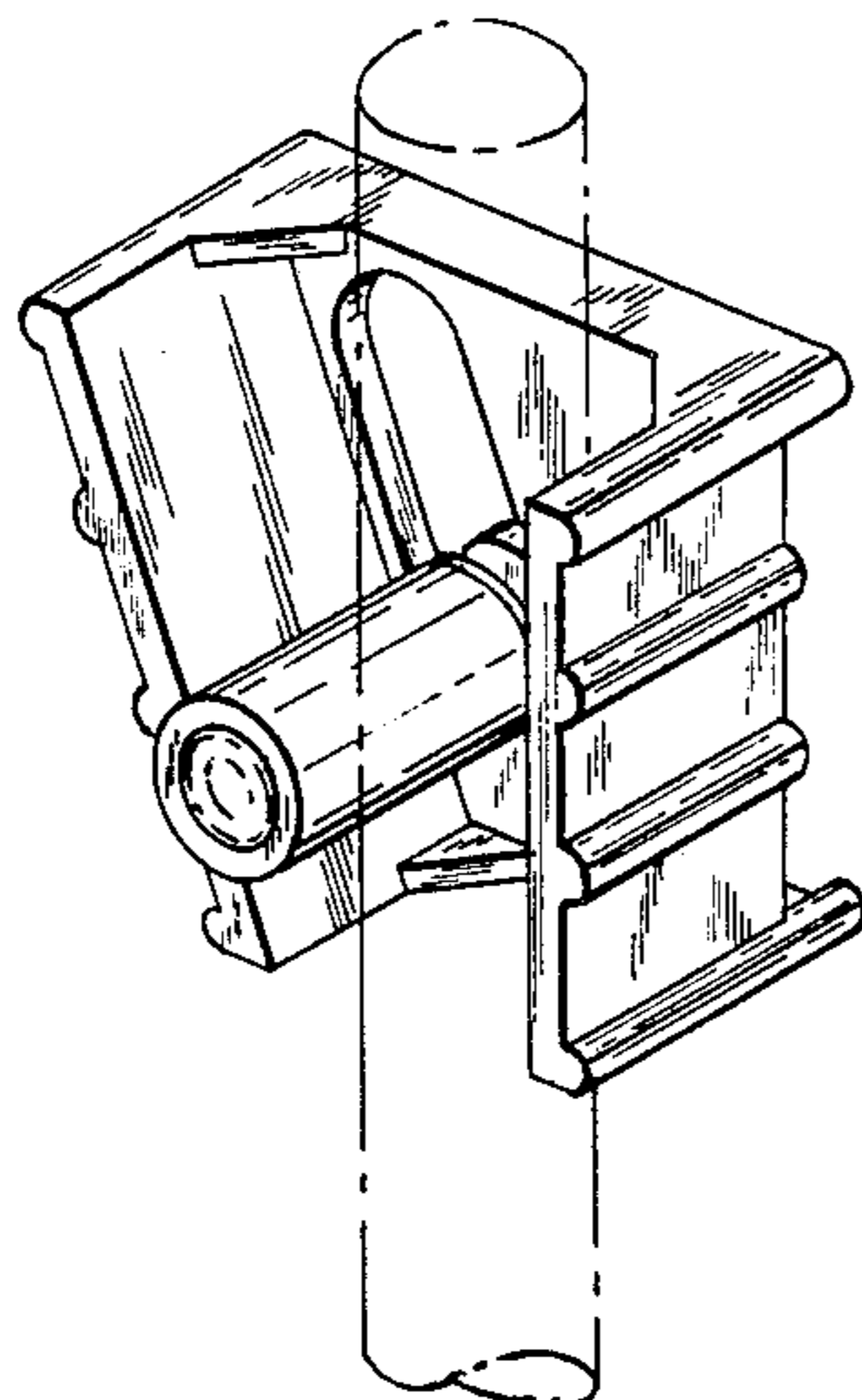
[57] **CLAIM**

The ornamental design for an article holding device, as shown and described.

DESCRIPTION

FIG. 1 is a front, top and right side perspective view of an article holding device showing my new design; FIG. 2 is a rear elevational view thereof; FIG. 3 is a right side elevational view thereof; FIG. 4 is a front elevational view thereof; FIG. 5 is a left side elevational view thereof; and FIGS. 6 and 7 are respectively top and bottom plan views thereof.

The broken line showing of a cylindrical article in FIG. 1 is for illustrative purposes only and forms no part of the claimed design.



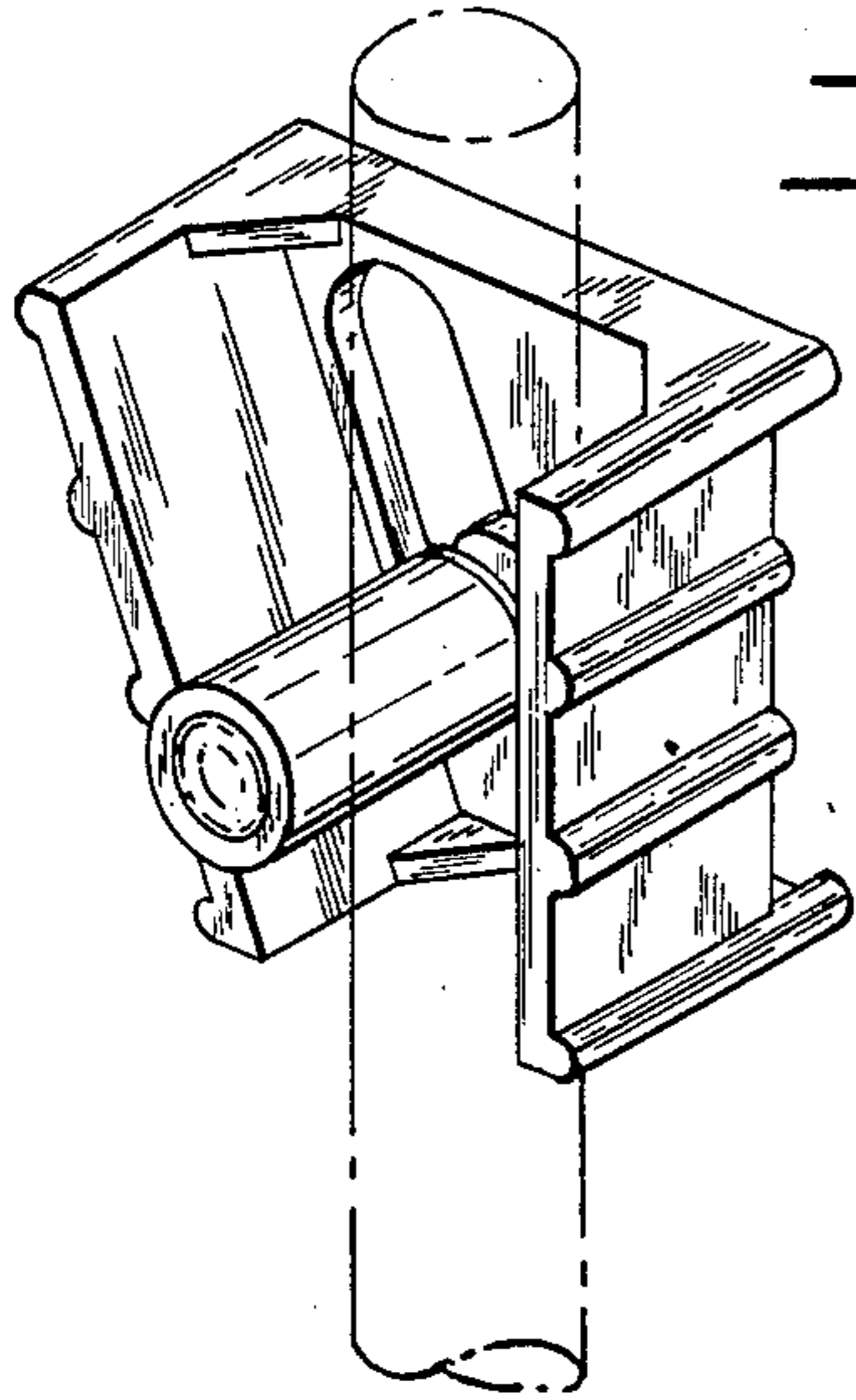


Fig. 1.

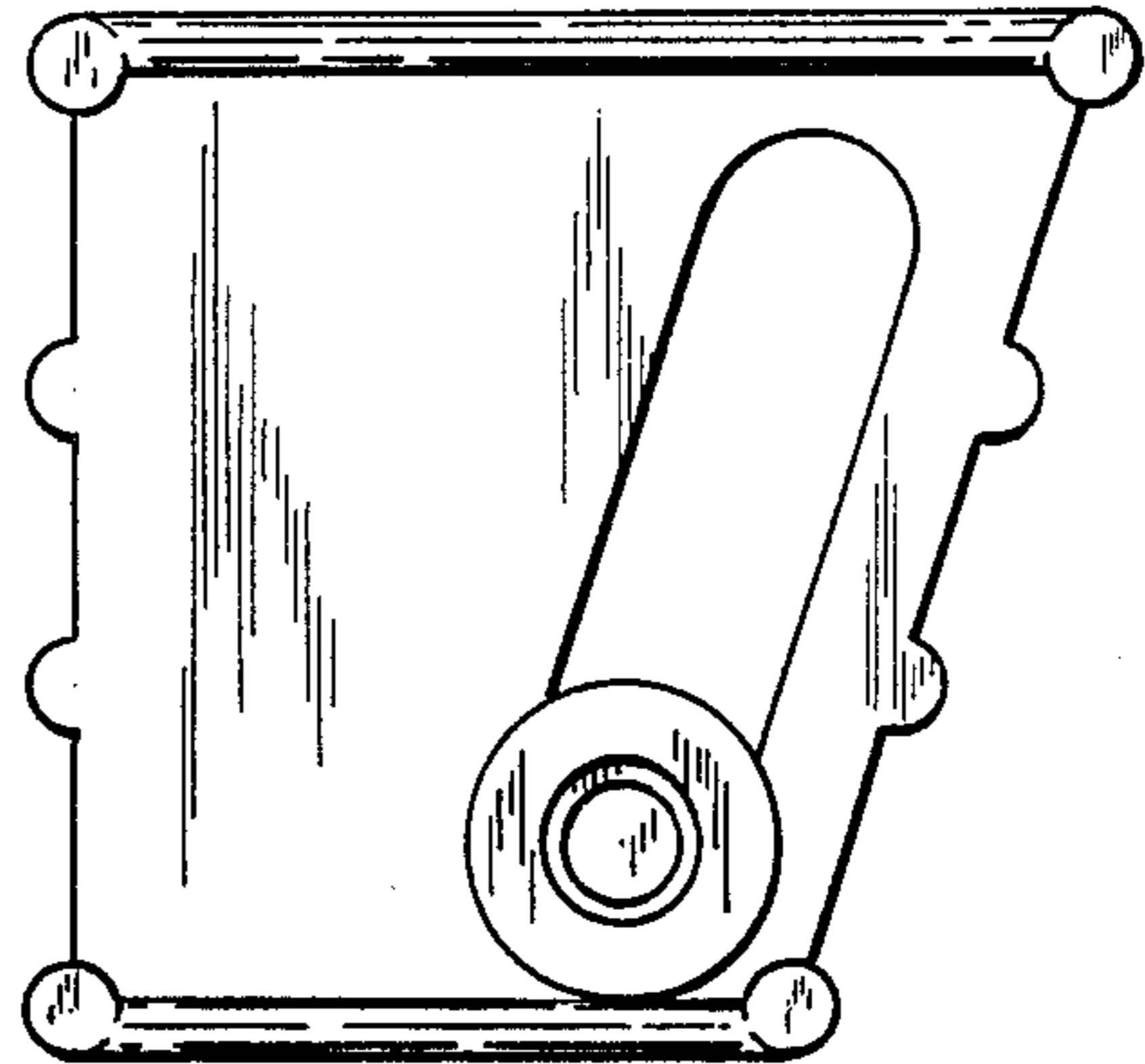


Fig. 2.

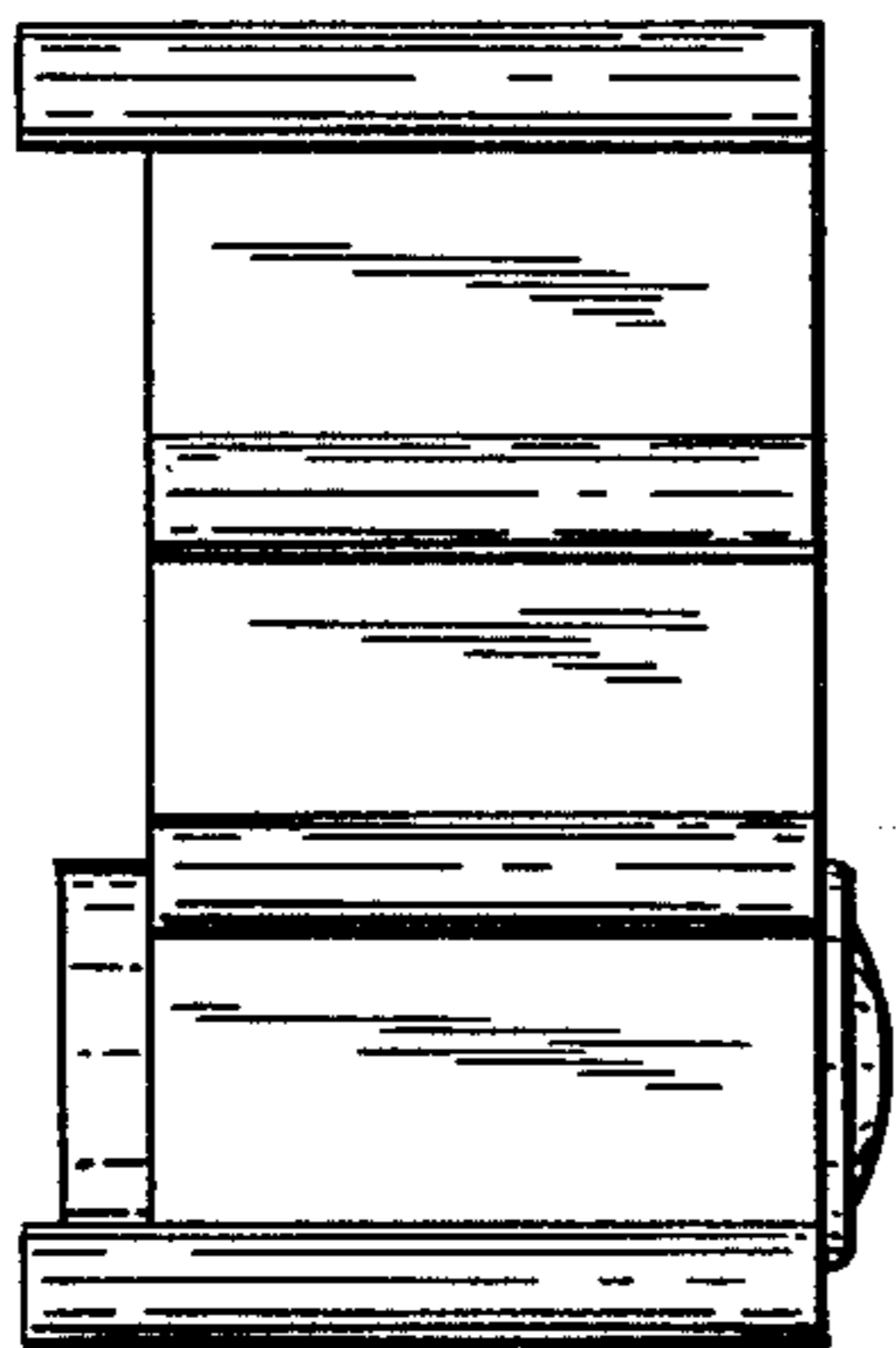


Fig. 3.

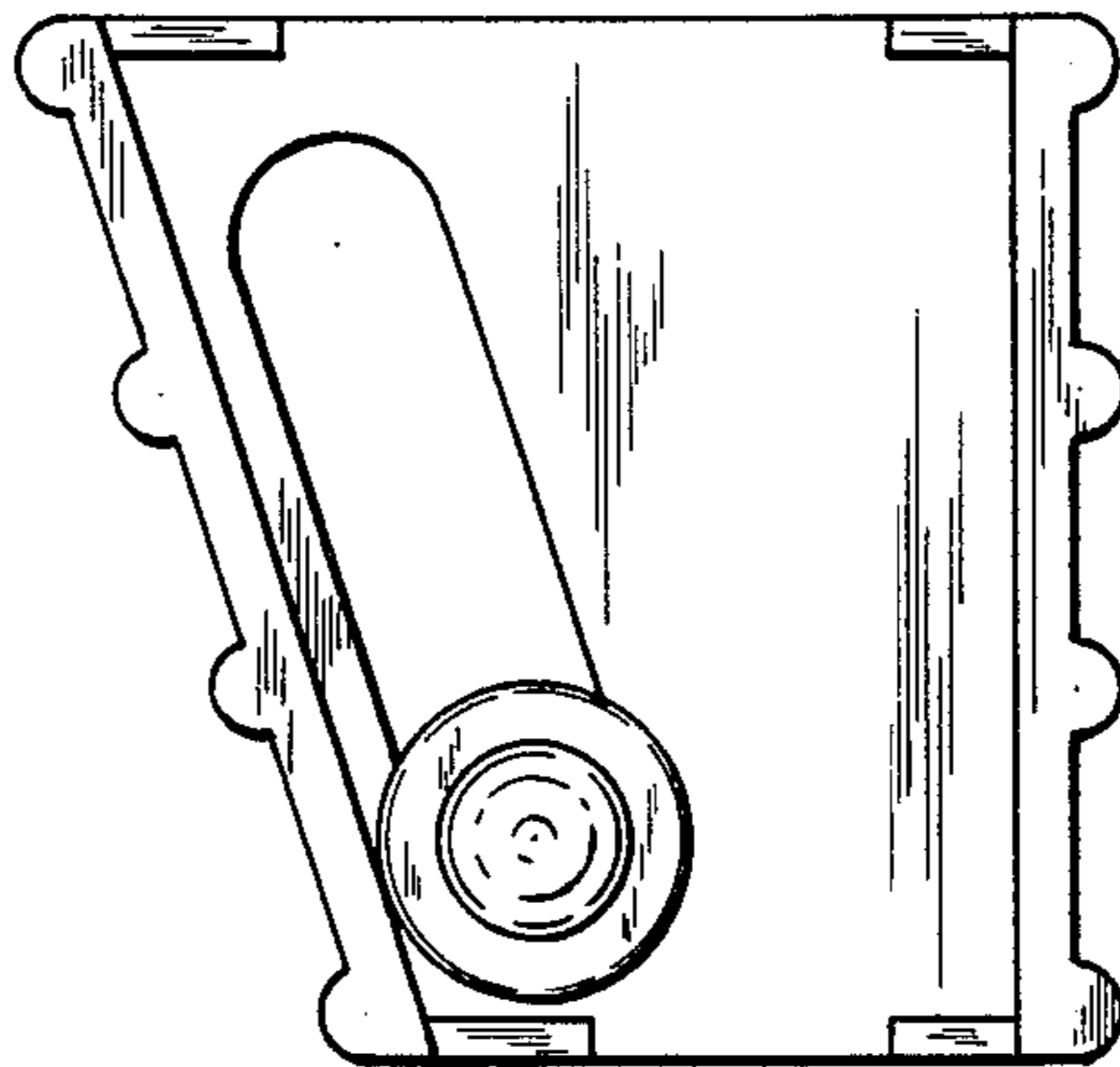


Fig. 4.

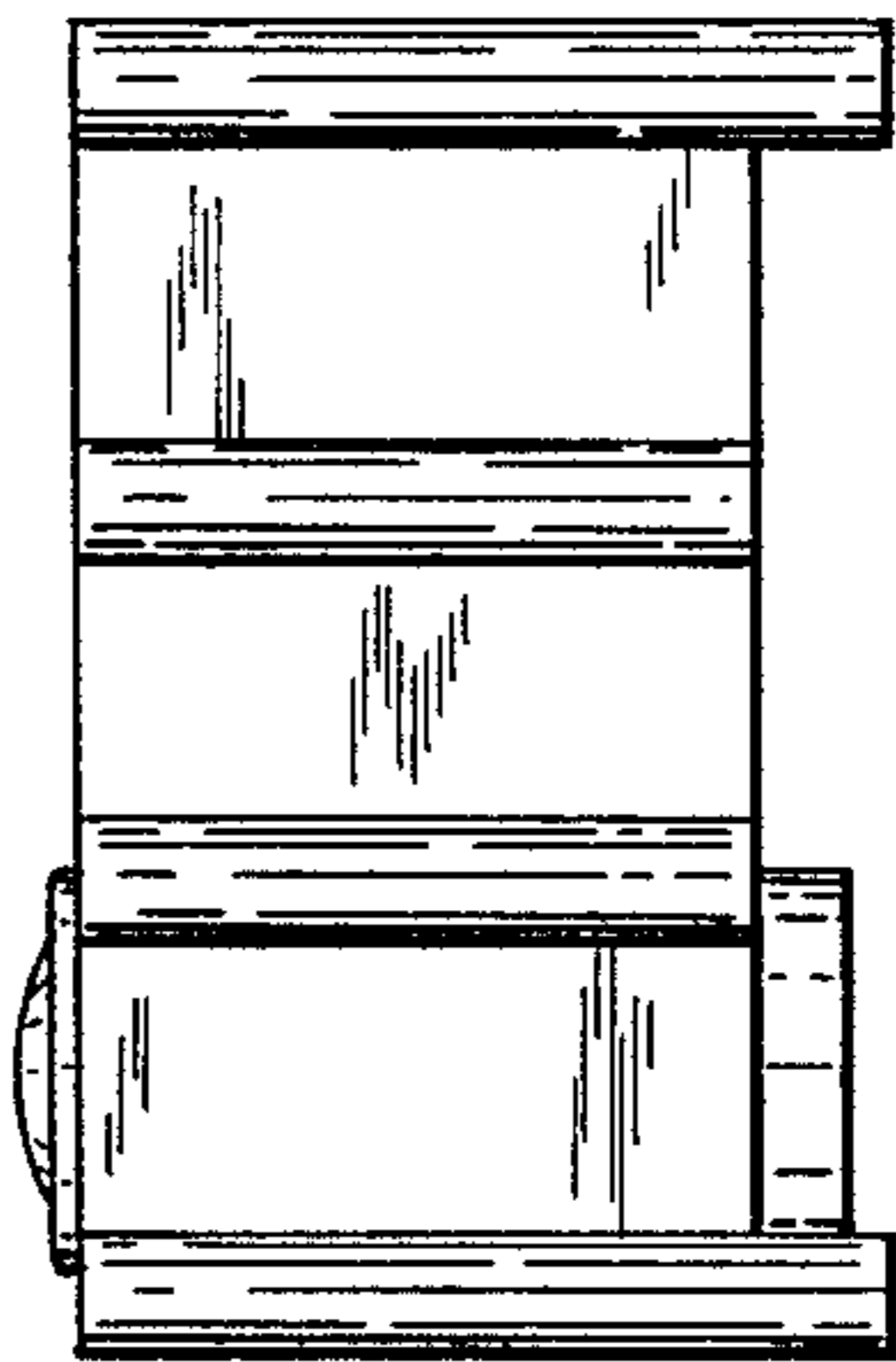


Fig. 5.

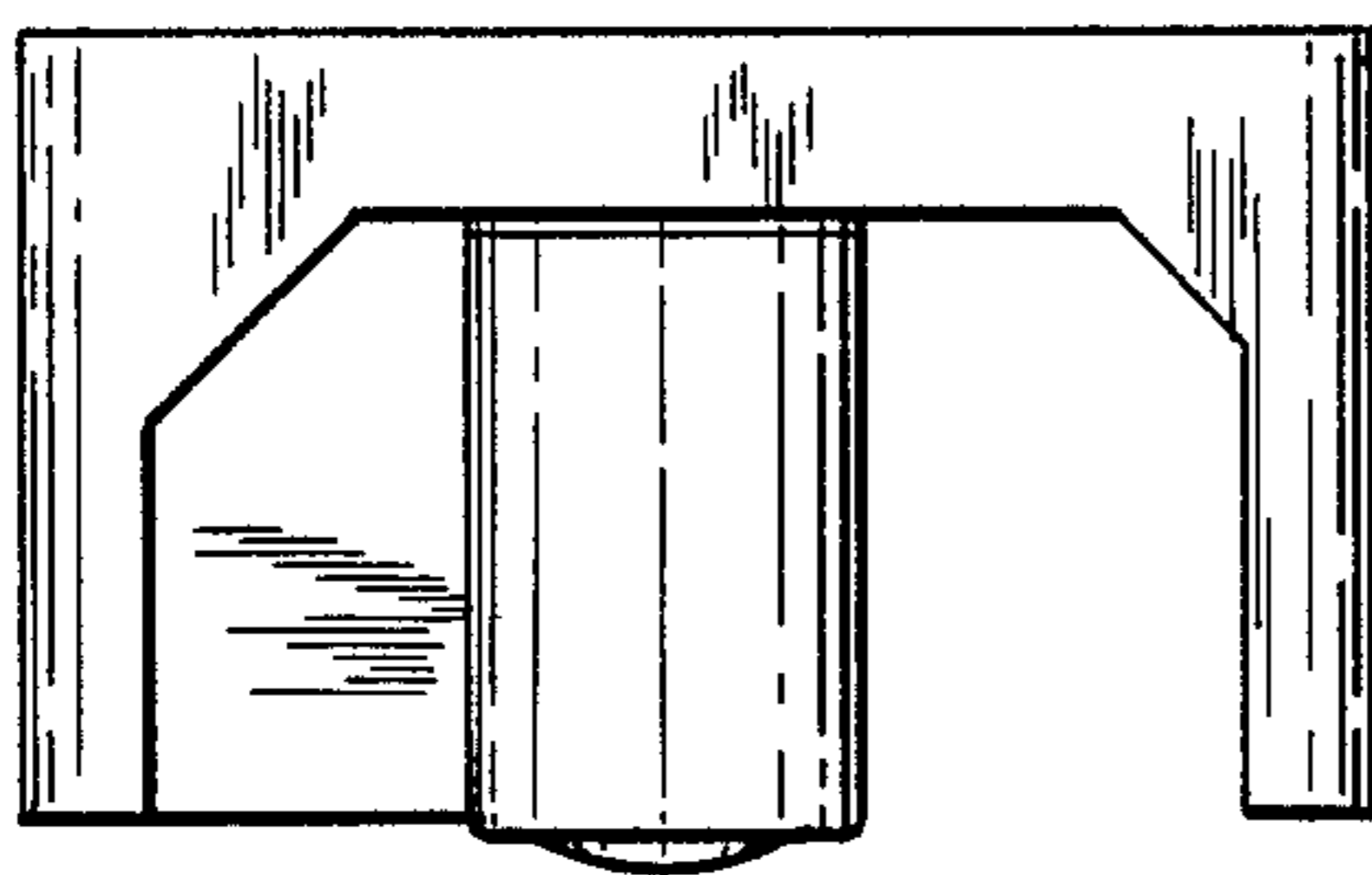


Fig. 6.

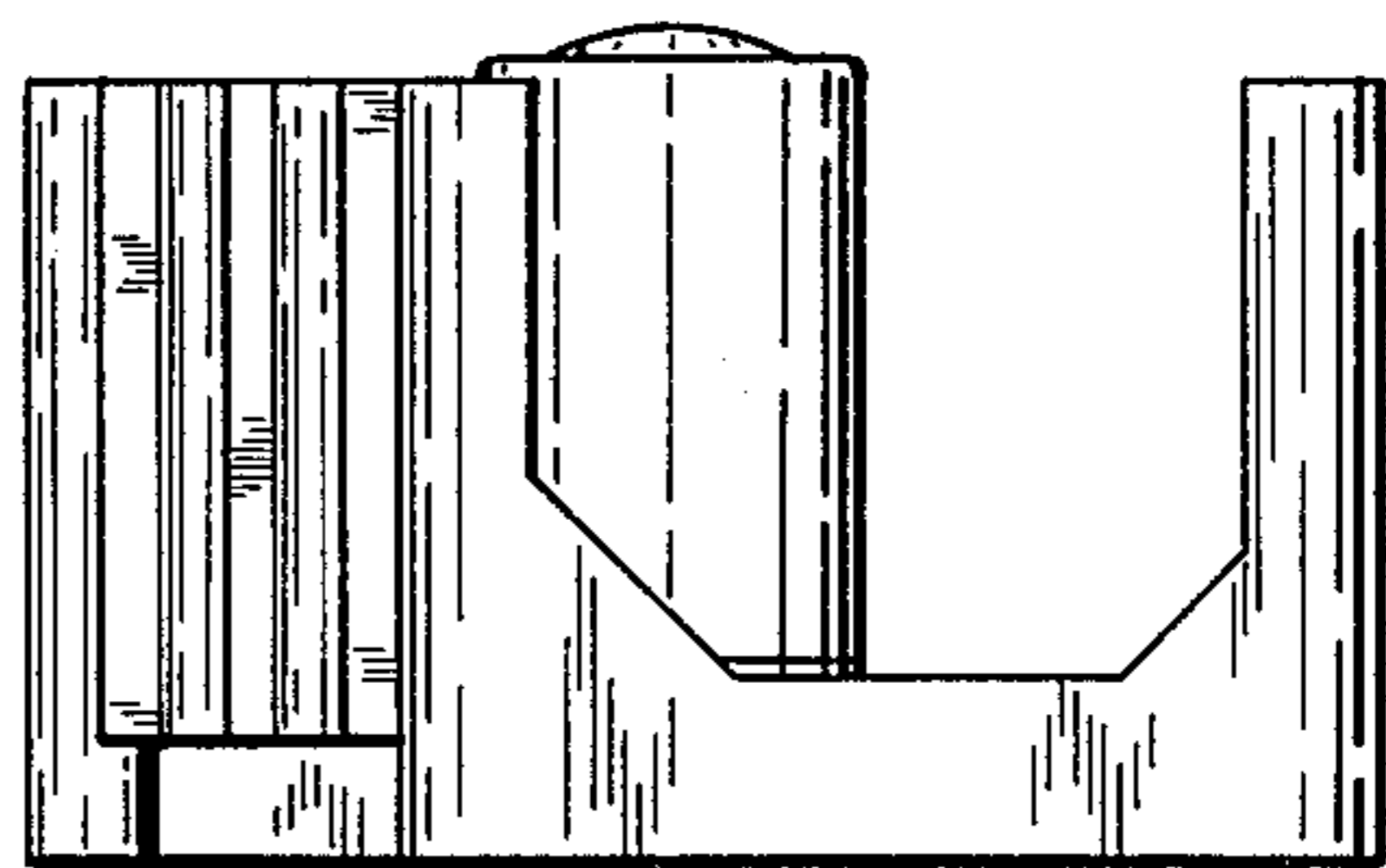


Fig. 7.