

[54] **CLIP**

[76] **Inventor: Forrest E. Strodtman, 12934 Hidden Castle, Houston, Tex. 77015**

[**] **Term: 14 Years**

[21] **Appl. No.: 267,916**

[22] **Filed: Nov. 7, 1988**

[52] **U.S. Cl. D8/356; D8/380; D8/395; D8/396**

[58] **Field of Search D8/380, 381, 394-396, D8/373, 356; 248/74.1, 74.2, 316.1, 316.7, 65; 24/545, 546, 549, 563**

[56] **References Cited**

U.S. PATENT DOCUMENTS

D. 242,986	1/1977	Inglis	D8/380
D. 247,216	2/1978	Mathews	D8/356
3,074,677	1/1963	Eckhardt	248/74.1
3,409,257	11/1968	Elm	248/65
3,491,971	1/1970	Fisher	348/65
4,856,739	8/1989	Takikawa	248/316.1

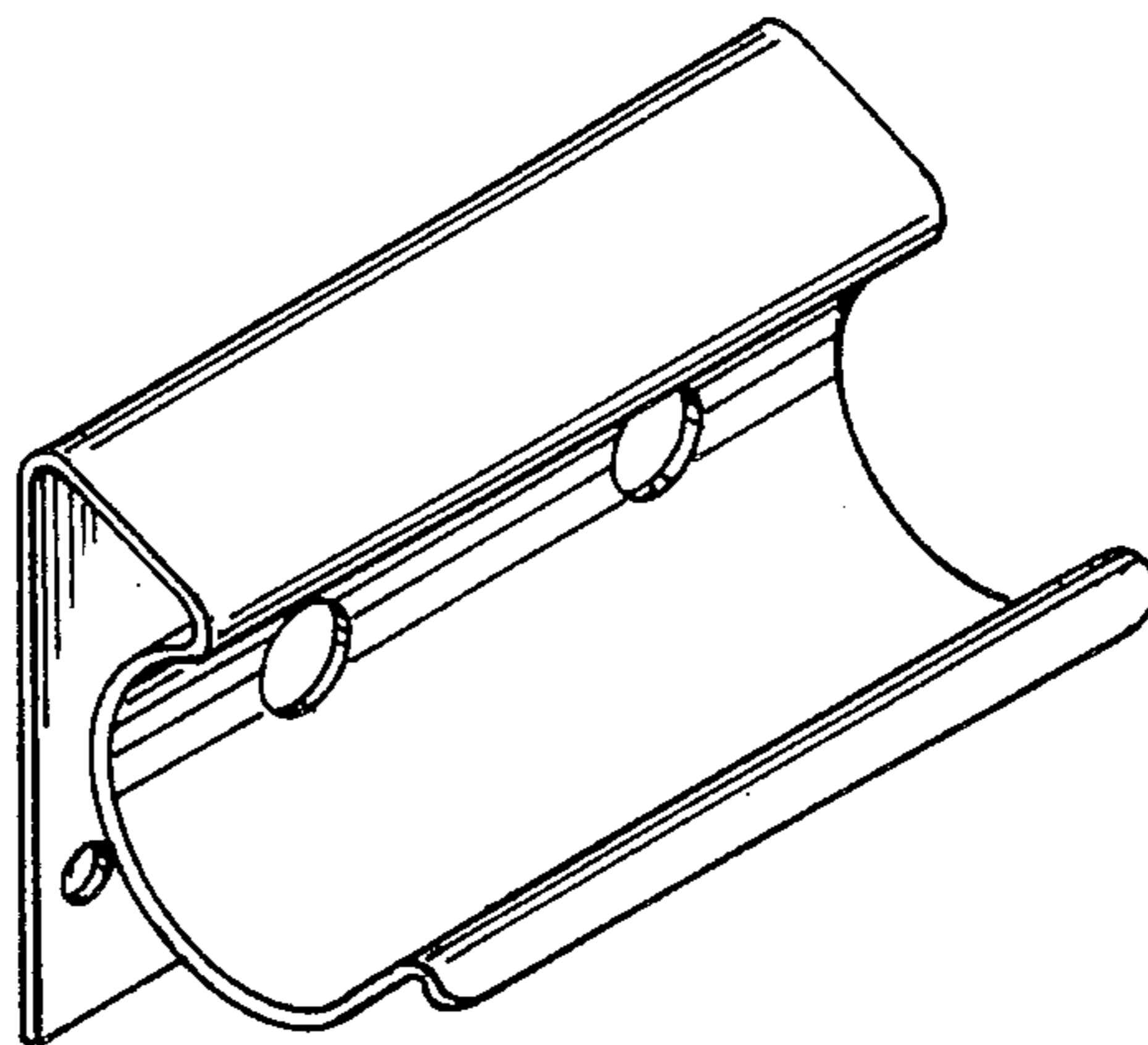
Primary Examiner—B. J. Bullock
Attorney, Agent, or Firm—Kenneth A. Roddy

[57] **CLAIM**

The ornamental design for a clip, as shown and described.

DESCRIPTION

FIG. 1 is an isometric view from the front, of a clip showing my new design; and
FIG. 2 is an isometric view thereof from the back.



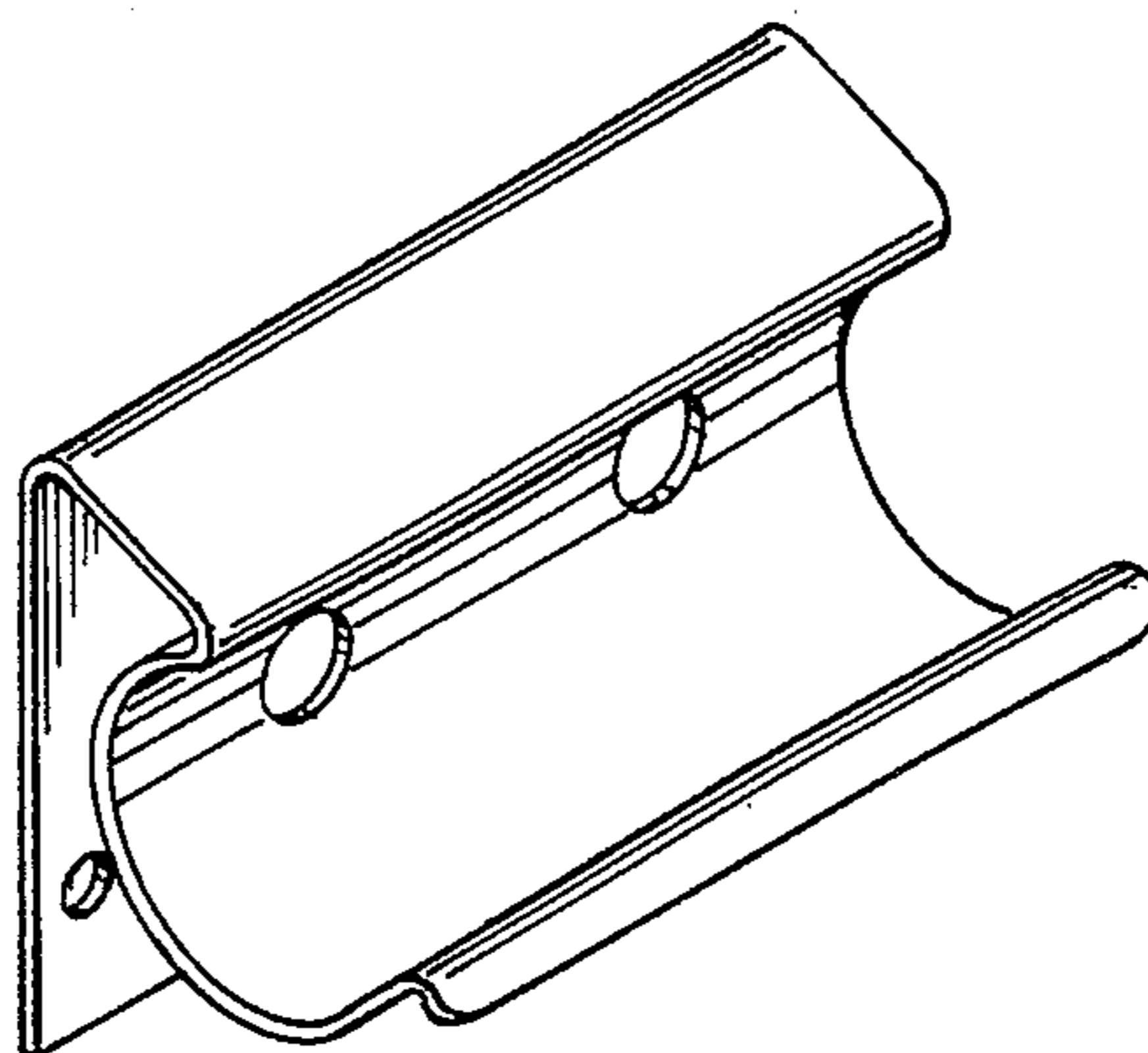


fig. 1

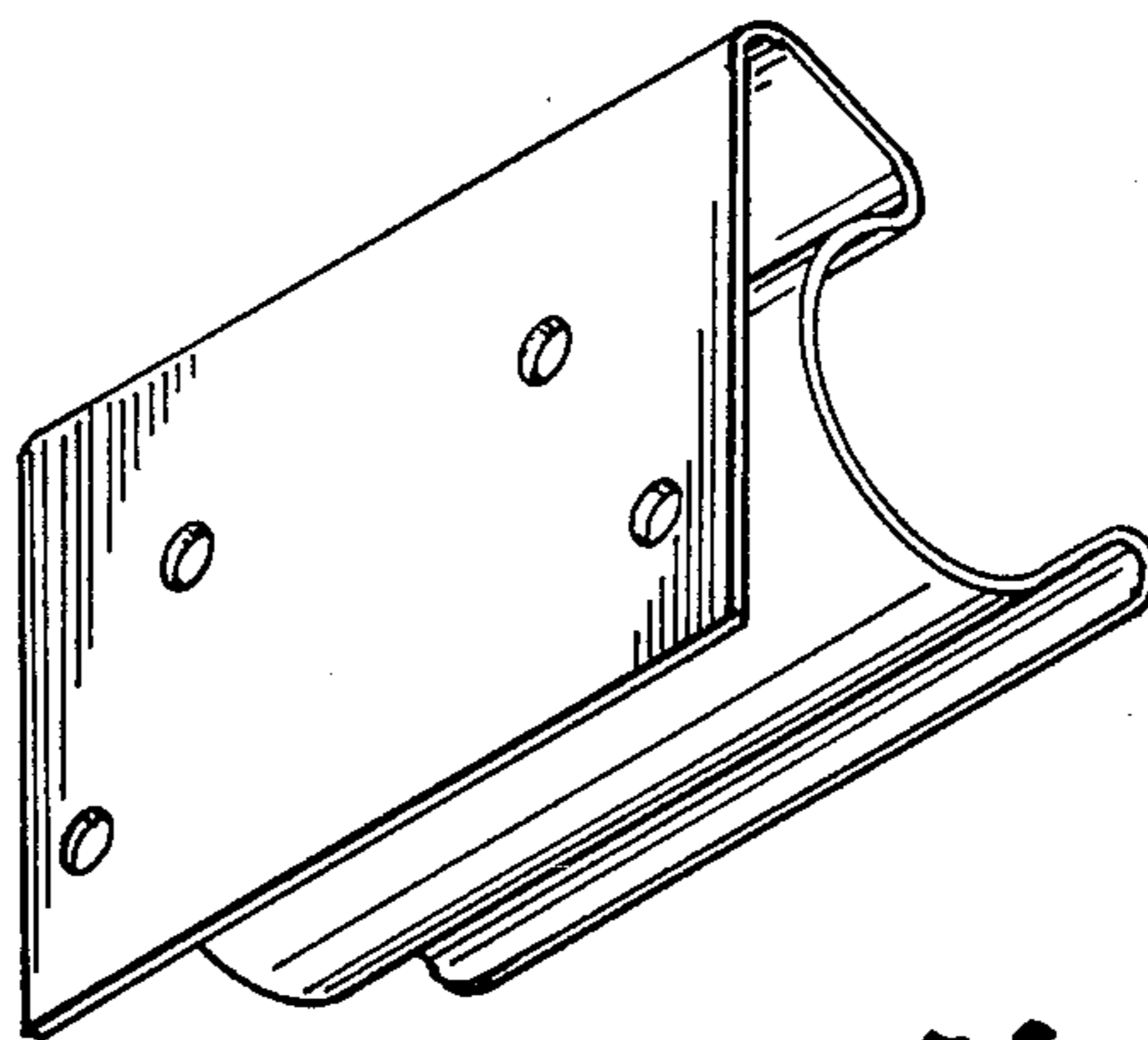


fig. 2