

[54] HANDLE POSITIONING ESCUTCHEON

[76] Inventor: Joseph Zimmerman, 21401 SW. 127th Ave., Miami, Fla. 33177

[**] Term: 14 Years

[21] Appl. No.: 69,938

[22] Filed: Jul. 6, 1987

[52] U.S. Cl. D8/352; D8/321

[58] Field of Search D8/300, 350, 321, 352; 312/244; 16/113, 114 R, 126; 292/357

[56] References Cited

U.S. PATENT DOCUMENTS

D. 281,858	12/1985	Barrows et al.	D8/352
550,429	11/1895	Weber	16/113
999,315	8/1911	Kimberley	16/113
1,312,135	8/1919	Schaffer	16/113
3,082,473	3/1963	West	16/126

3,924,775 12/1975 Andreaggi et al. 16/126

Primary Examiner—B. J. Bullock

Attorney, Agent, or Firm—Robert J. Van Der Wall

[57] CLAIM

The ornamental design for a handle positioning escutcheon, as shown and described.

DESCRIPTION

FIG. 1 is a front perspective view of the handle positioning escutcheon showing my new design, the broken line showing of the electronics housing, the handle, and the escutcheon on the right being for illustrative purposes only;

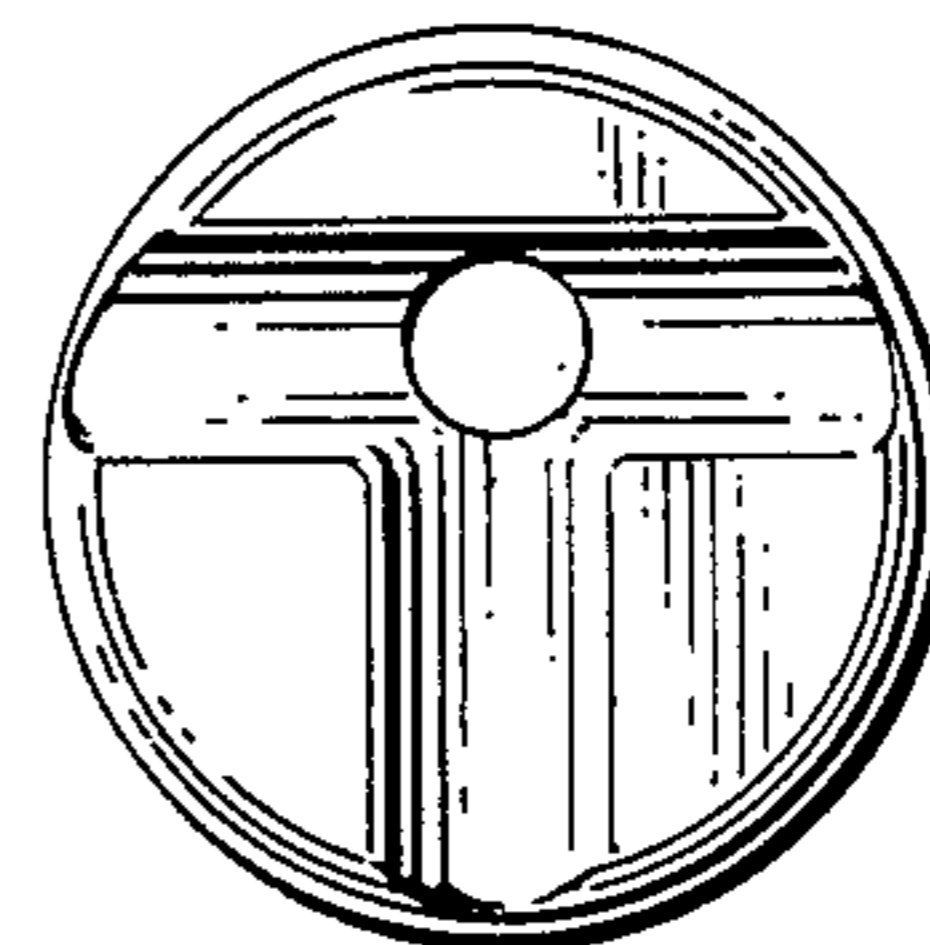
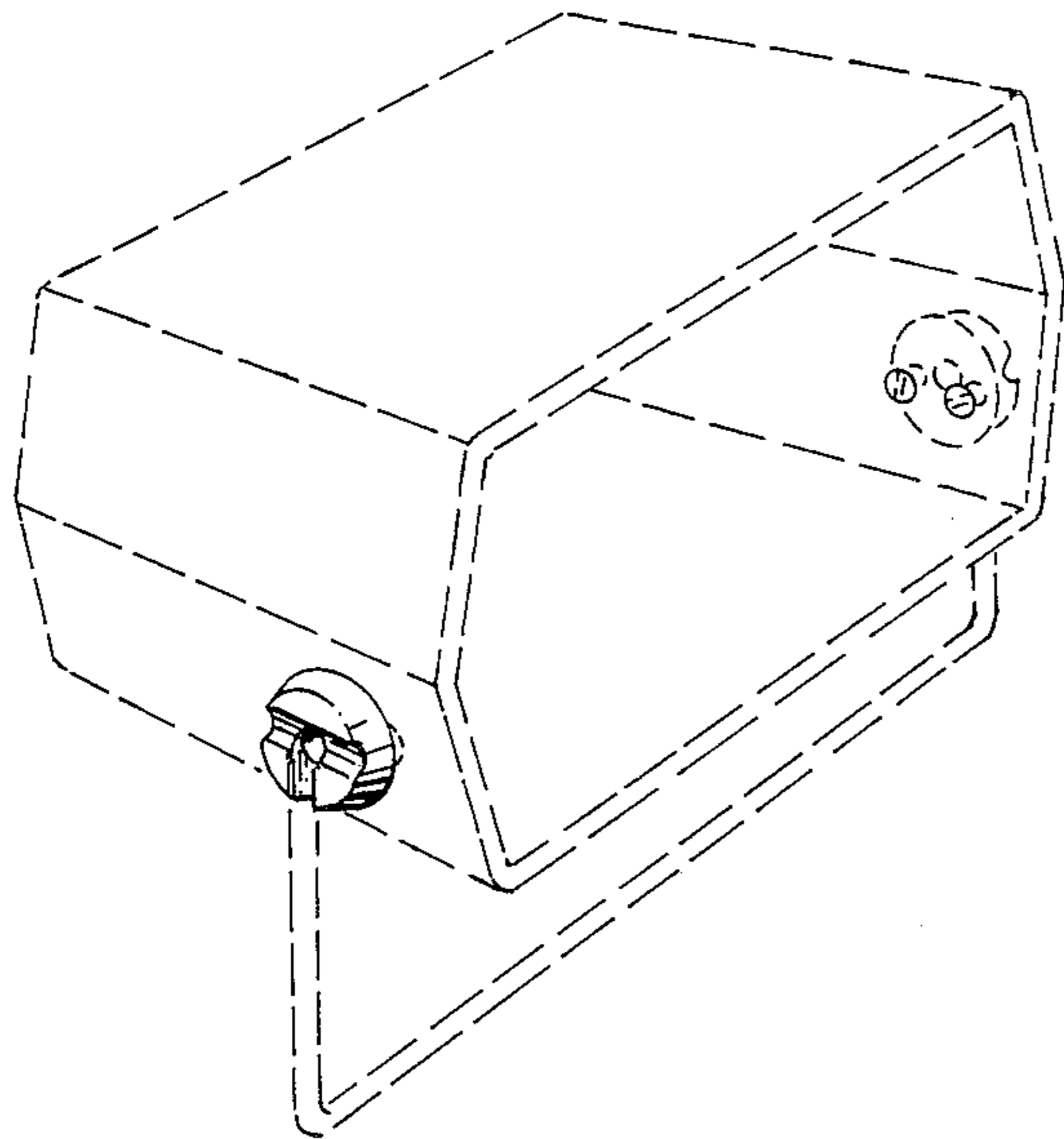
FIG. 2 is an enlarged front elevational view thereof;

FIG. 3 is an enlarged top plan view thereof;

FIG. 4 is an enlarged rear elevational view thereof;

FIG. 5 an enlarged left side elevational view thereof, the right side being a mirror image;

FIG. 6 is an enlarged bottom plan view thereof.



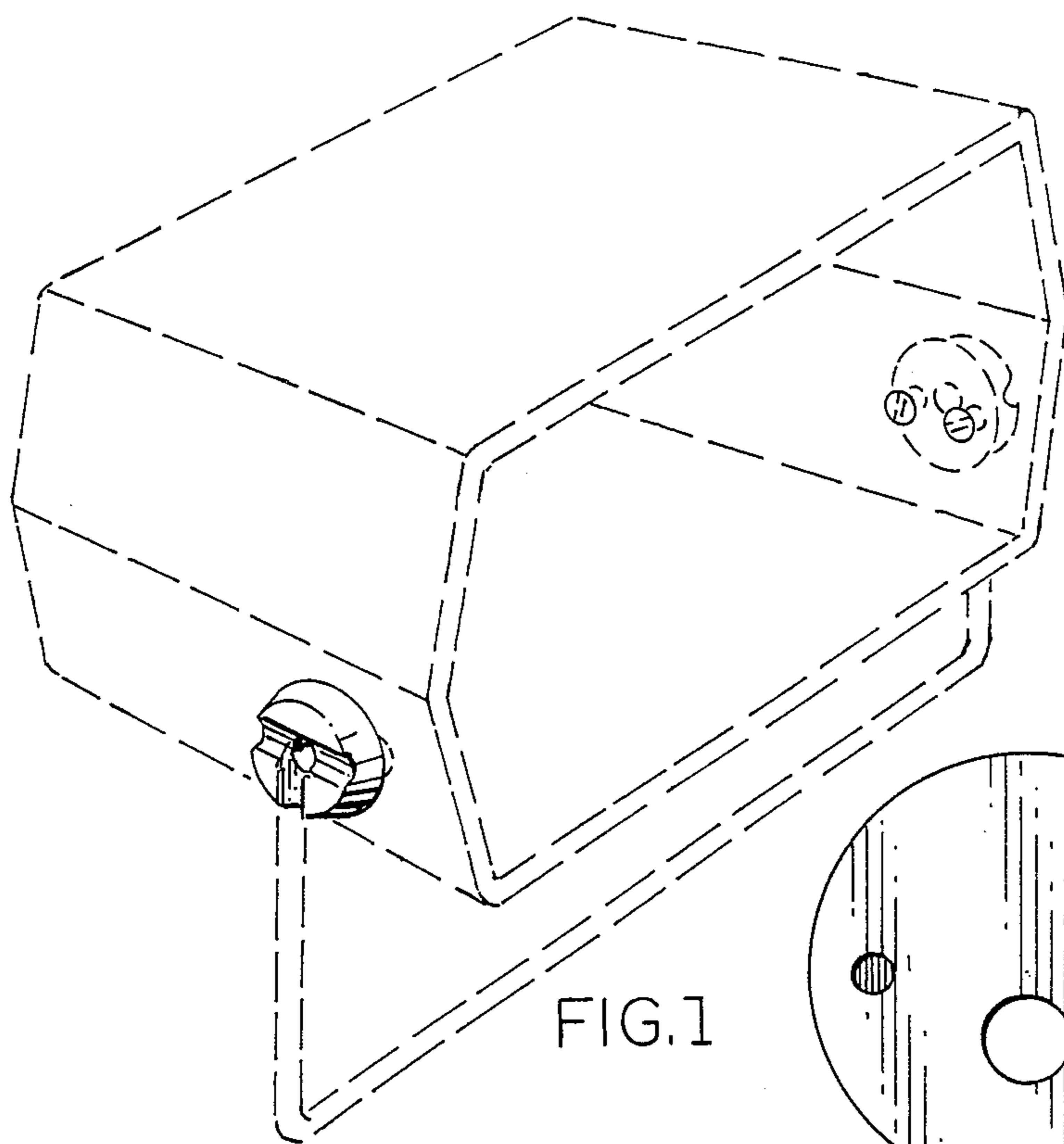


FIG. 1

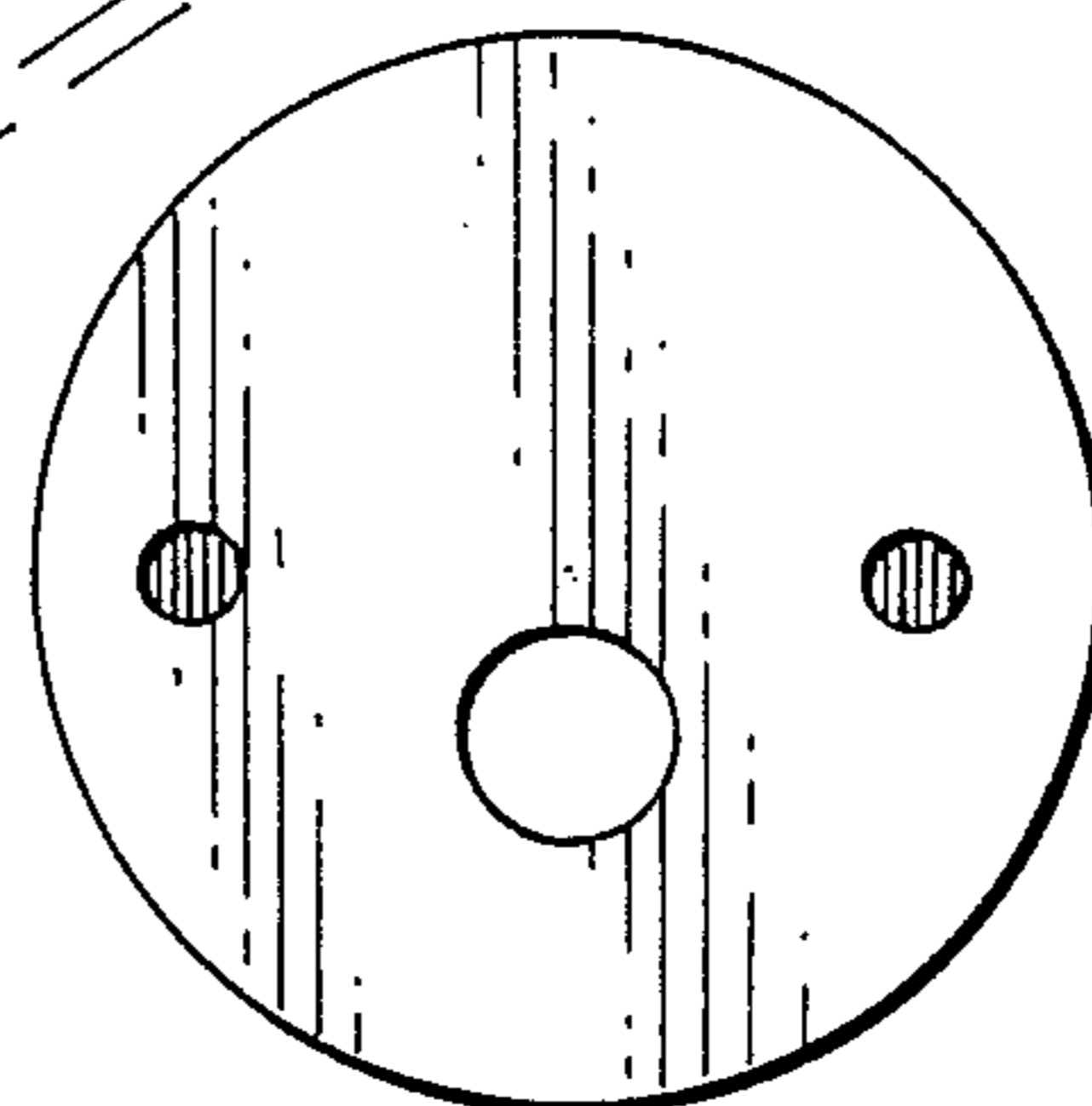


FIG. 4

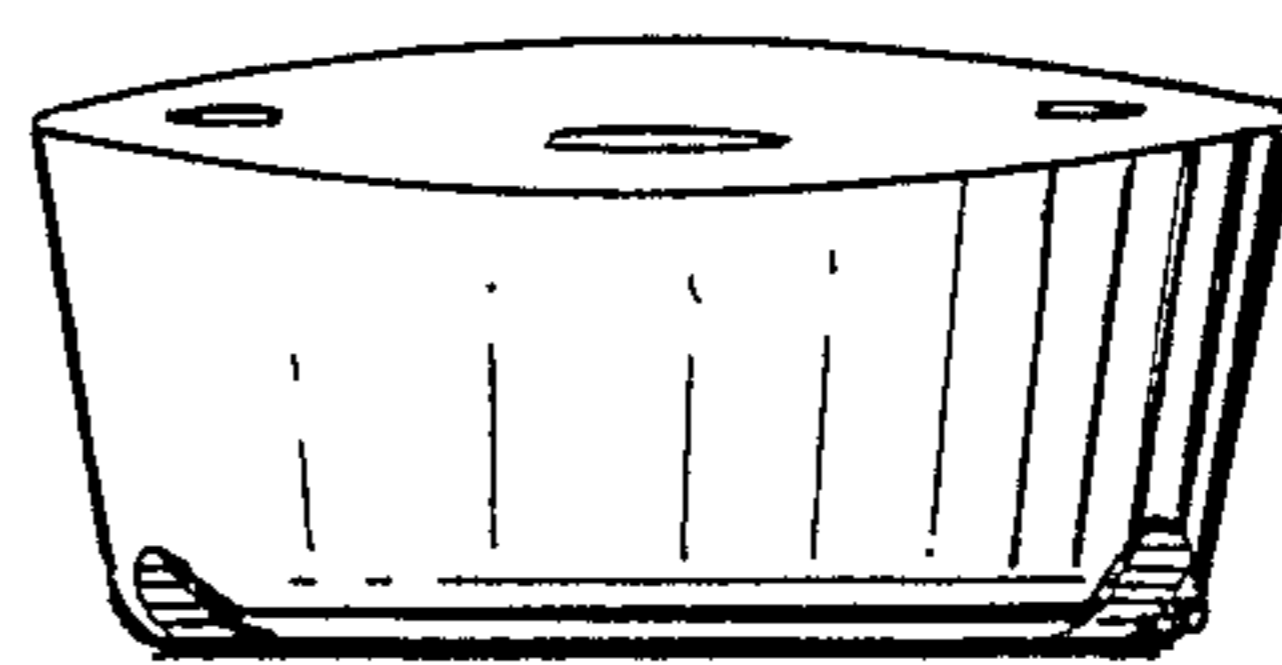


FIG. 3

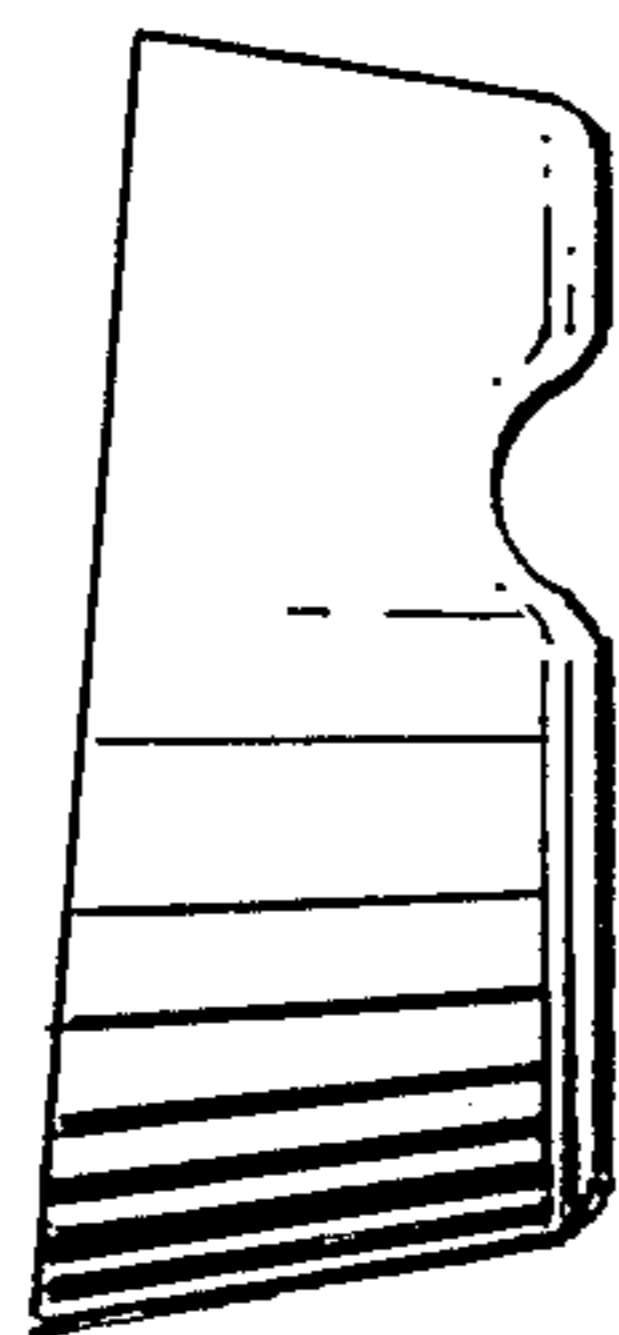


FIG. 5

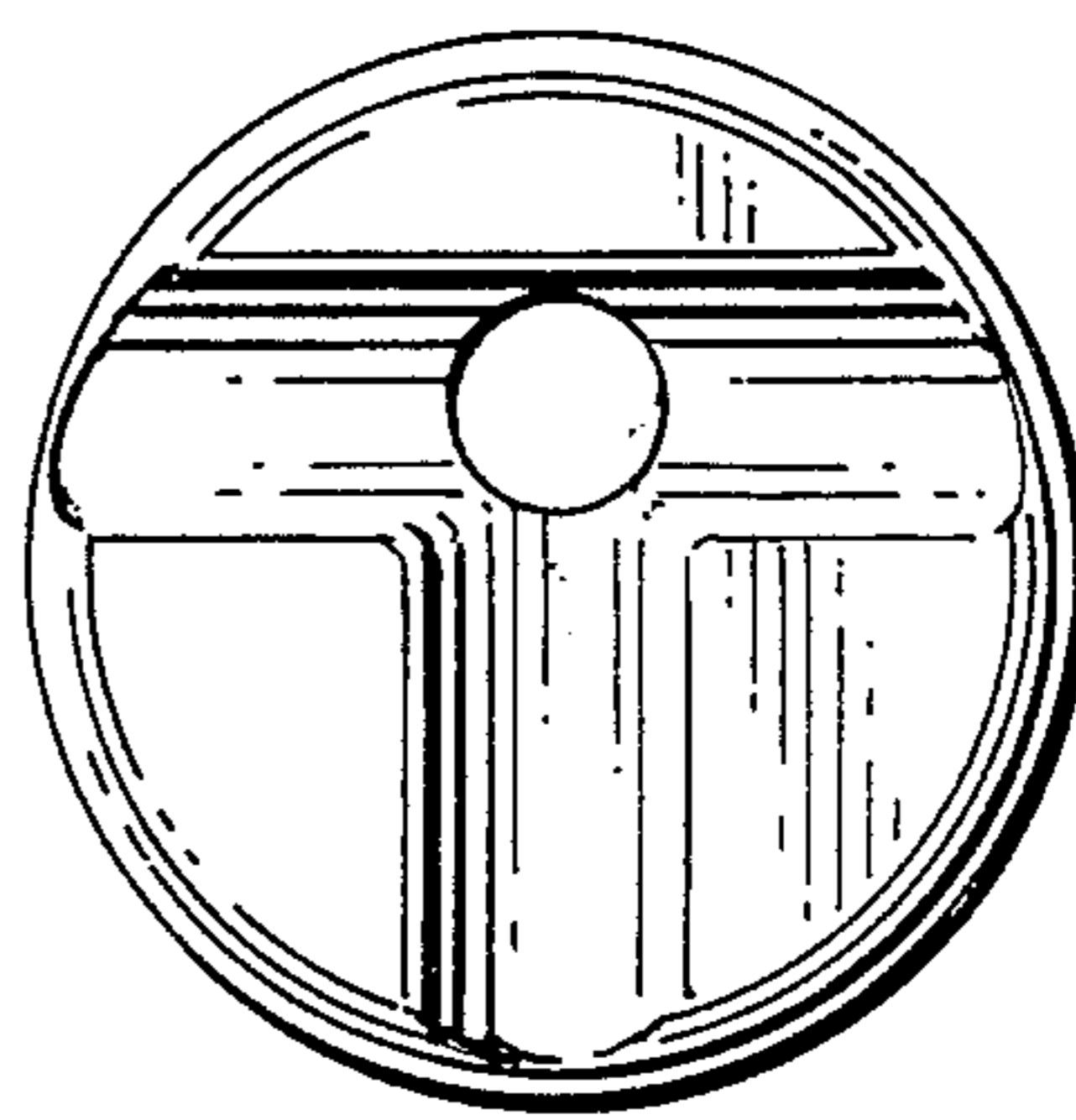


FIG. 2

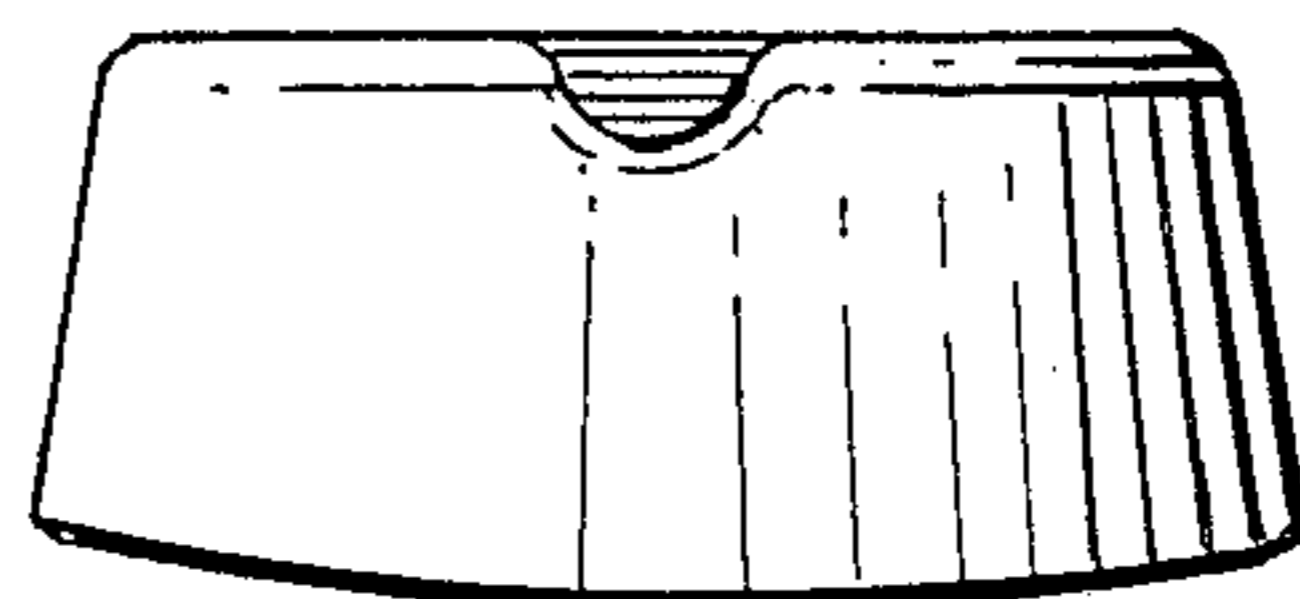


FIG. 6