

[54] COMBINATION POCKET TOOL

[76] Inventor: Alan P. Learney, 17 Totnes Avenue, Bramhall, Cheshire, United Kingdom, SJ7 3PH

[\*\*] Term: 14 Years

[21] Appl. No.: 13,621

[22] Filed: Feb. 11, 1987

[30] Foreign Application Priority Data

Aug. 19, 1986 [GB] United Kingdom ..... 1,036,204

[52] U.S. Cl. .... D8/105; D8/99

[58] Field of Search ..... D8/14, 99, 105, 107; 7/118, 119, 158, 160, 163, 164, 154; 30/154, 162

[56] References Cited

U.S. PATENT DOCUMENTS

90,855	6/1869	Krizek	7/118
313,414	3/1885	Freund	7/118
2,591,655	4/1952	Foley	7/118
2,632,244	3/1953	Belsky	30/162

FOREIGN PATENT DOCUMENTS

442469	9/1912	France	7/154
5845	of 1912	United Kingdom	7/118

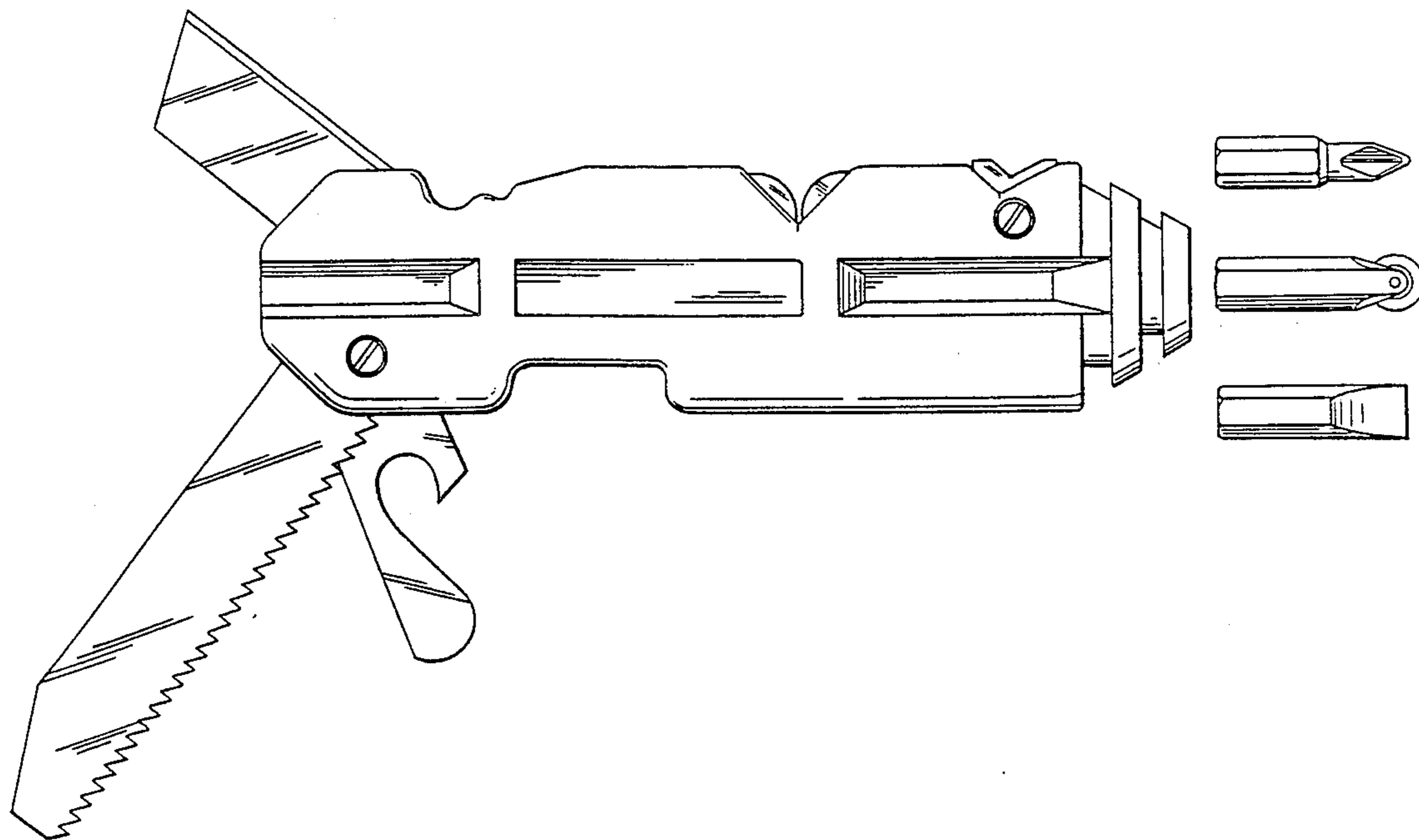
Primary Examiner—Bruce W. Dunkins  
Assistant Examiner—Clare E. Keflin  
Attorney, Agent, or Firm—Riches, McKenzie & Herbert

[57] CLAIM

The ornamental design for a combination pocket tool, as shown and described.

DESCRIPTION

FIG. 1 is a perspective view of a combination pocket tool showing my new design;  
FIG. 2 is a left side elevational view thereof;  
FIG. 3 is a right side elevational view thereof;  
FIG. 4 is a top plan view thereof;  
FIG. 5 is a bottom plan view thereof;  
FIG. 6 is a left end elevational view thereof; and  
FIG. 7 is an exploded left side elevational view thereof, showing the pivoted blades in the open position and the tool bits separated for illustrative purposes only.



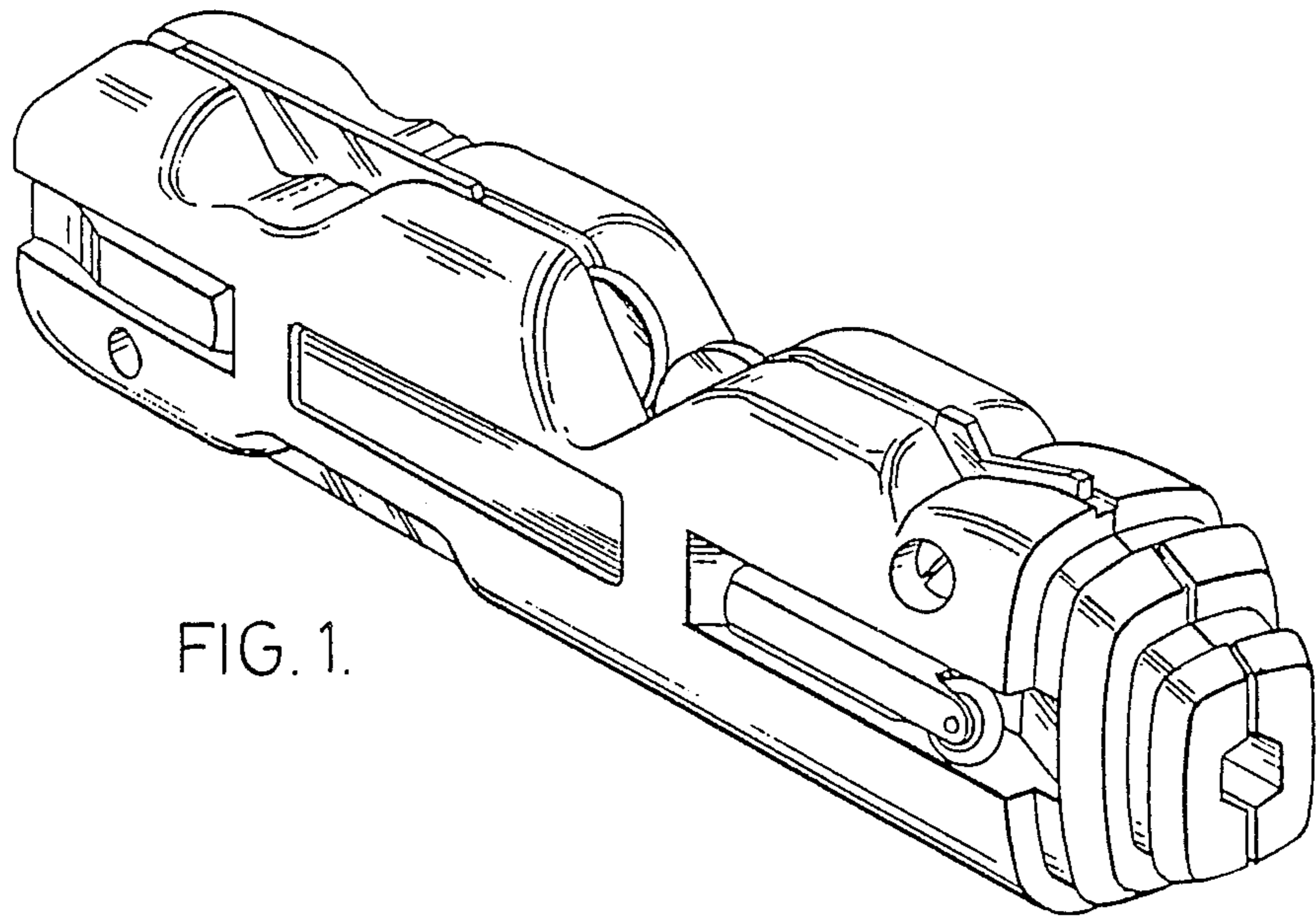


FIG. 1.

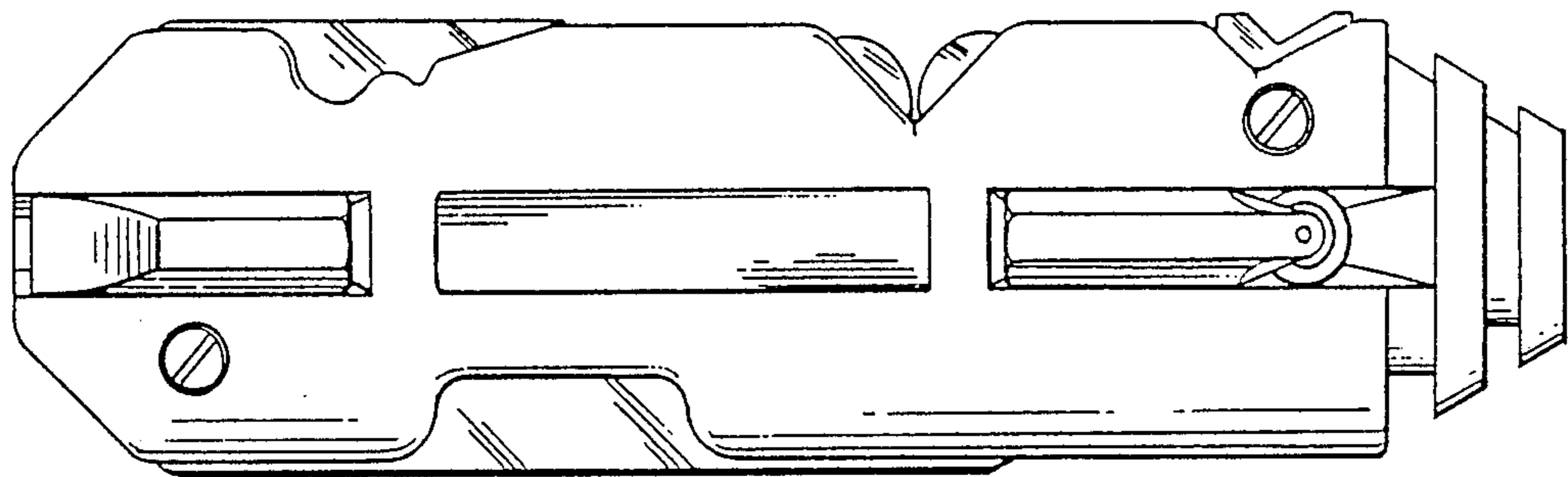


FIG. 2.

FIG. 3.

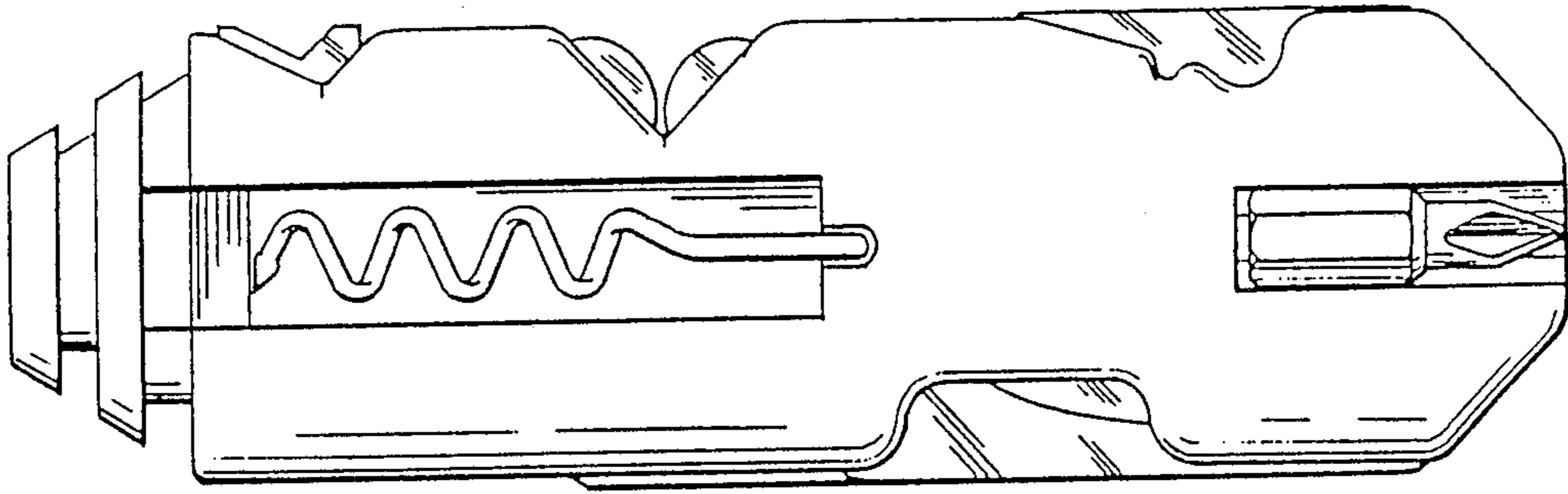


FIG. 4.

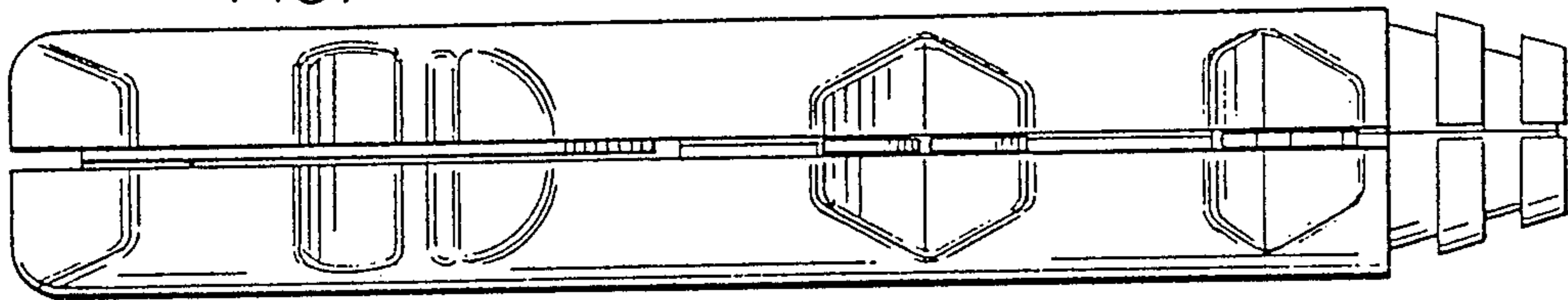


FIG. 5.

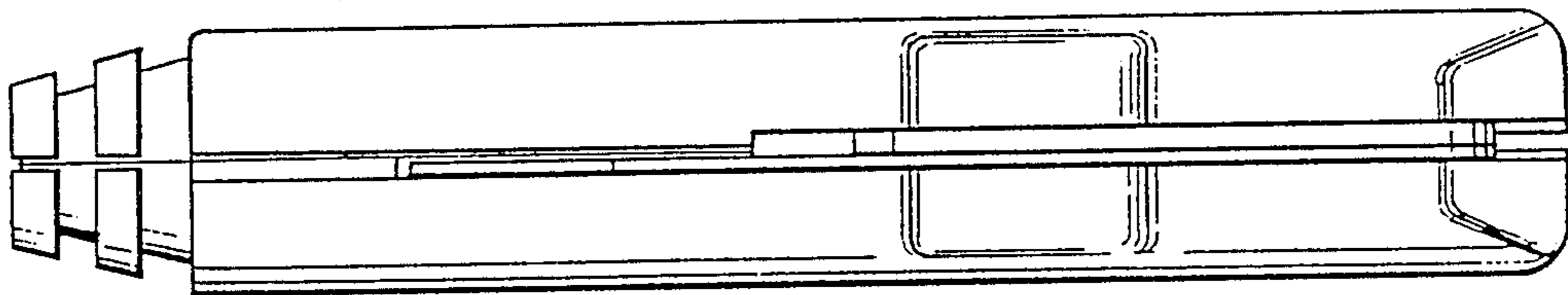


FIG. 6.

