

[54] ELECTRIC STAPLER

[75] Inventors: Michael J. Mercadante, Quincy;  
James S. MacConkey, Winchester,  
both of Mass.

[73] Assignee: Parker Manufacturing Company,  
Mass.

[\*\*] Term: 14 Years

[21] Appl. No.: 176,984

[22] Filed: Apr. 4, 1988

[52] U.S. Cl. .... D8/69; D8/49

[58] Field of Search ..... D8/49, 50, 61, 67, 68,  
D8/69; 227/8, 10, 120, 130, 131, 132

[56] References Cited

U.S. PATENT DOCUMENTS

D. 266,221	9/1982	Ewig	.....	D8/61	X
D. 288,060	2/1987	Somers	.....	D8/49	X
D. 288,404	2/1987	Somers et al.	.....	D8/49	
4,676,423	6/1987	Ghibely	.....	227/120	X

Primary Examiner—Winifred E. Herrmann  
Assistant Examiner—John Warchol  
Attorney, Agent, or Firm—Samuels, Gauthier & Stevens

[57] CLAIM

The ornamental design for electric stapler, as shown and described.

DESCRIPTION

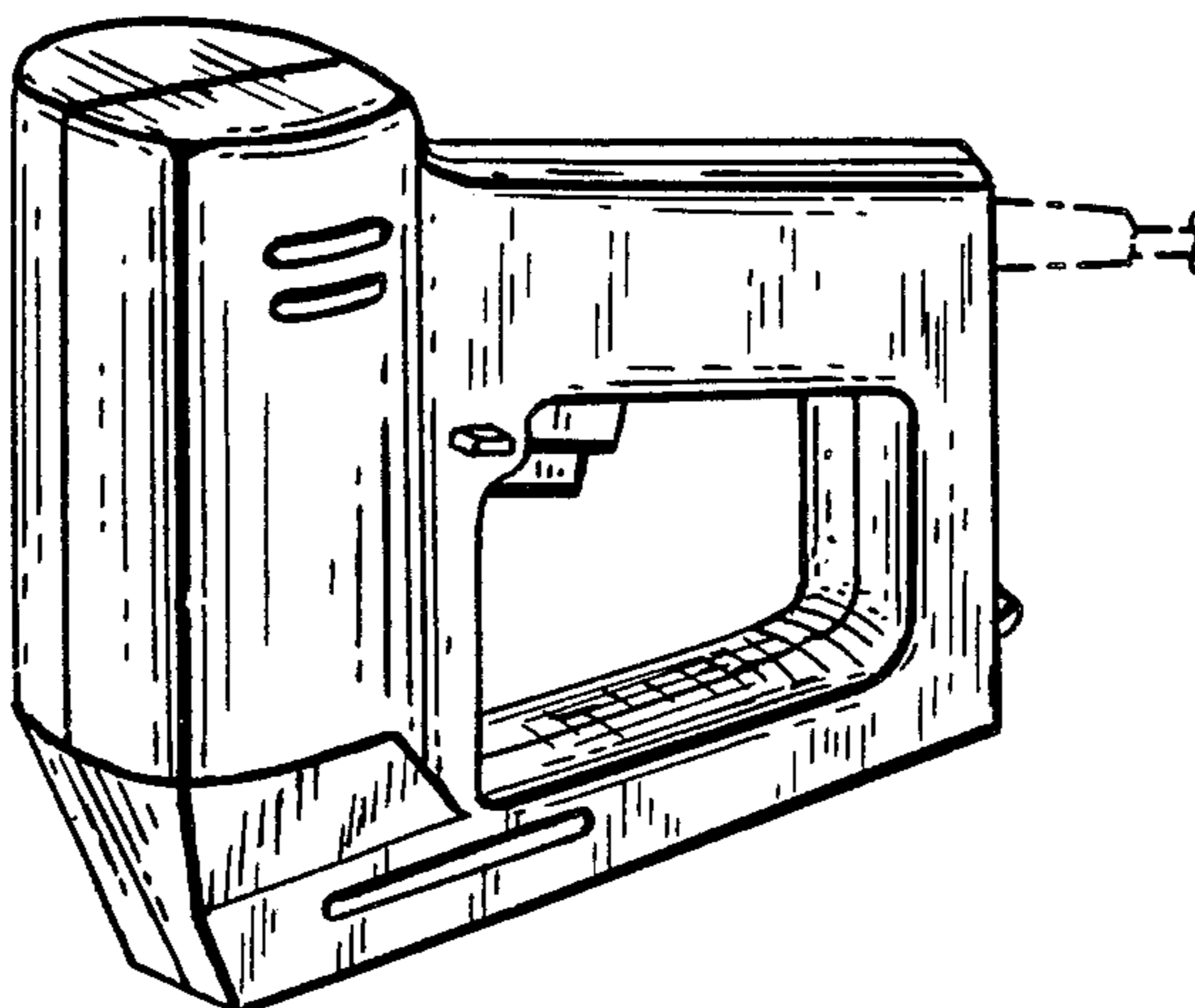
FIG. 1 is a top, front and right side perspective view of an electric stapler showing our new design, the broken line showing of a power cord fragment is illustrative of environmental structure only and forms no part of the claimed design;

FIG. 2 is a top plan view thereof on an enlarged scale; FIG. 3 is a right side elevational view thereof on an enlarged scale, the left side is a mirror image thereof.

FIG. 4 is a bottom plan view thereof on an enlarged scale;

FIG. 5 is a front end elevational view thereof on an enlarged scale; and

FIG. 6 is a rear end elevational view thereof on an enlarged scale.



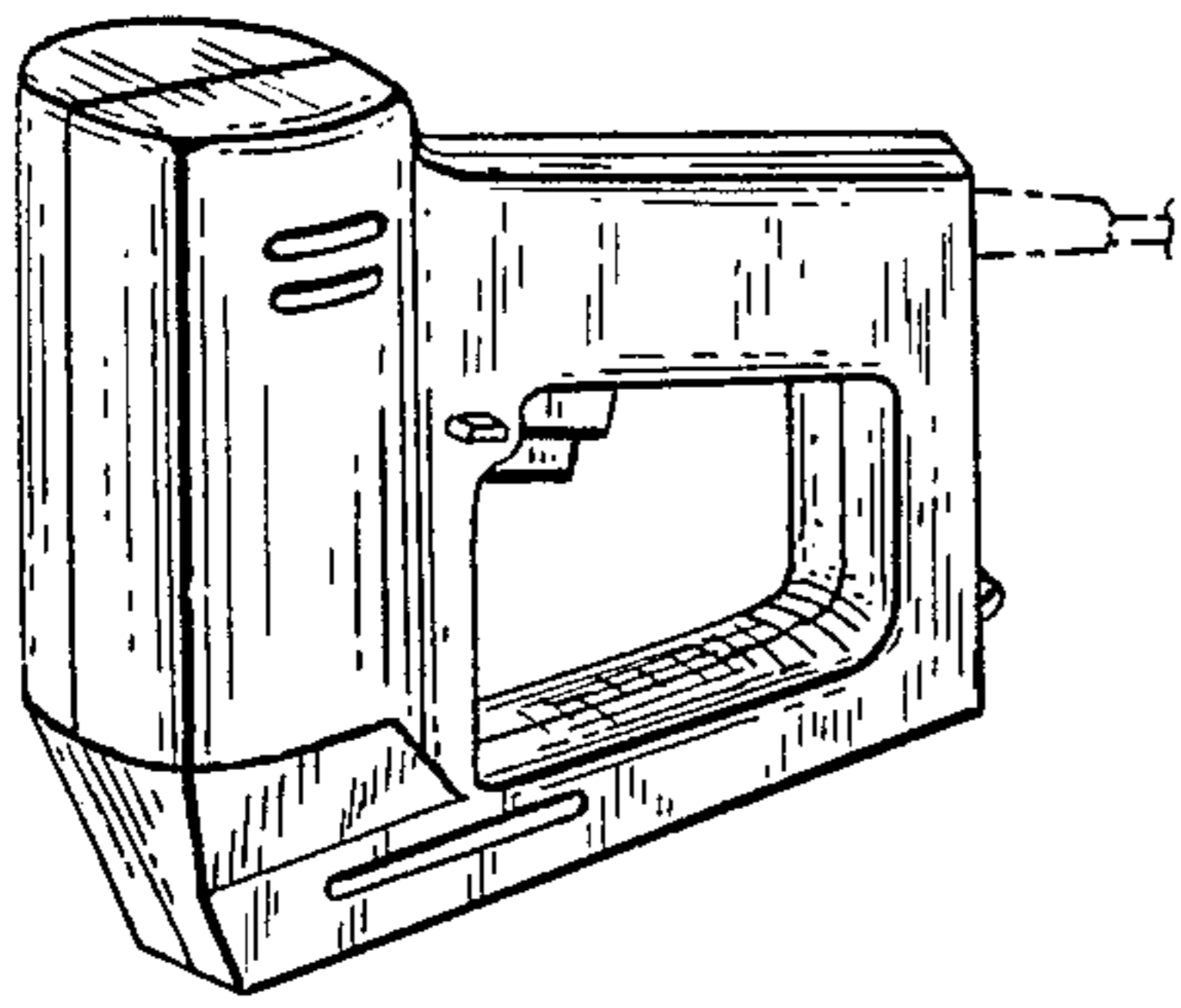


FIG. 1

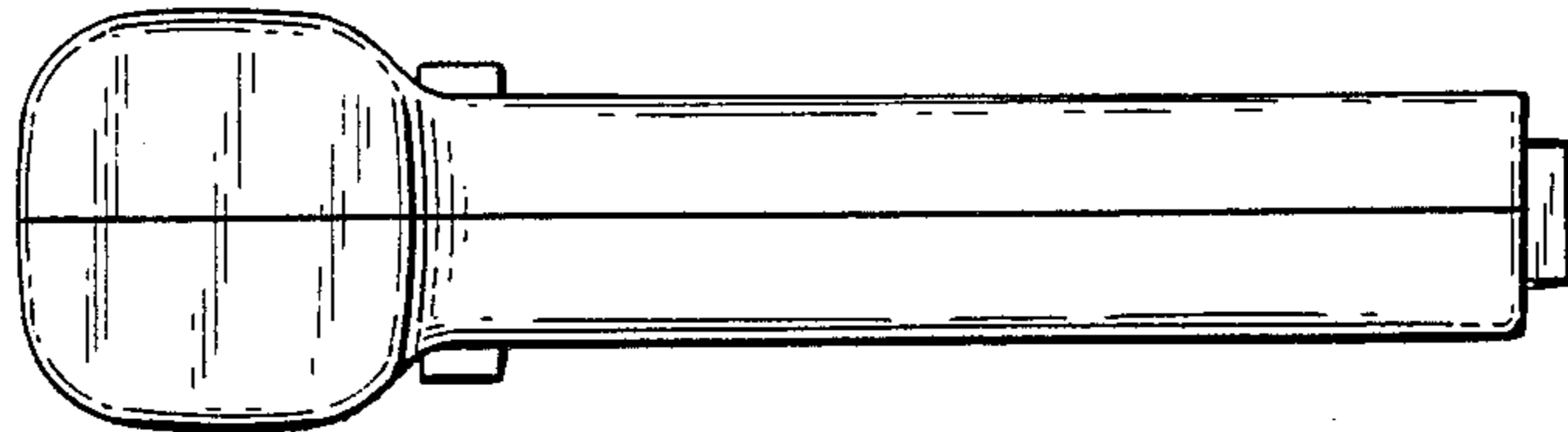


FIG. 2

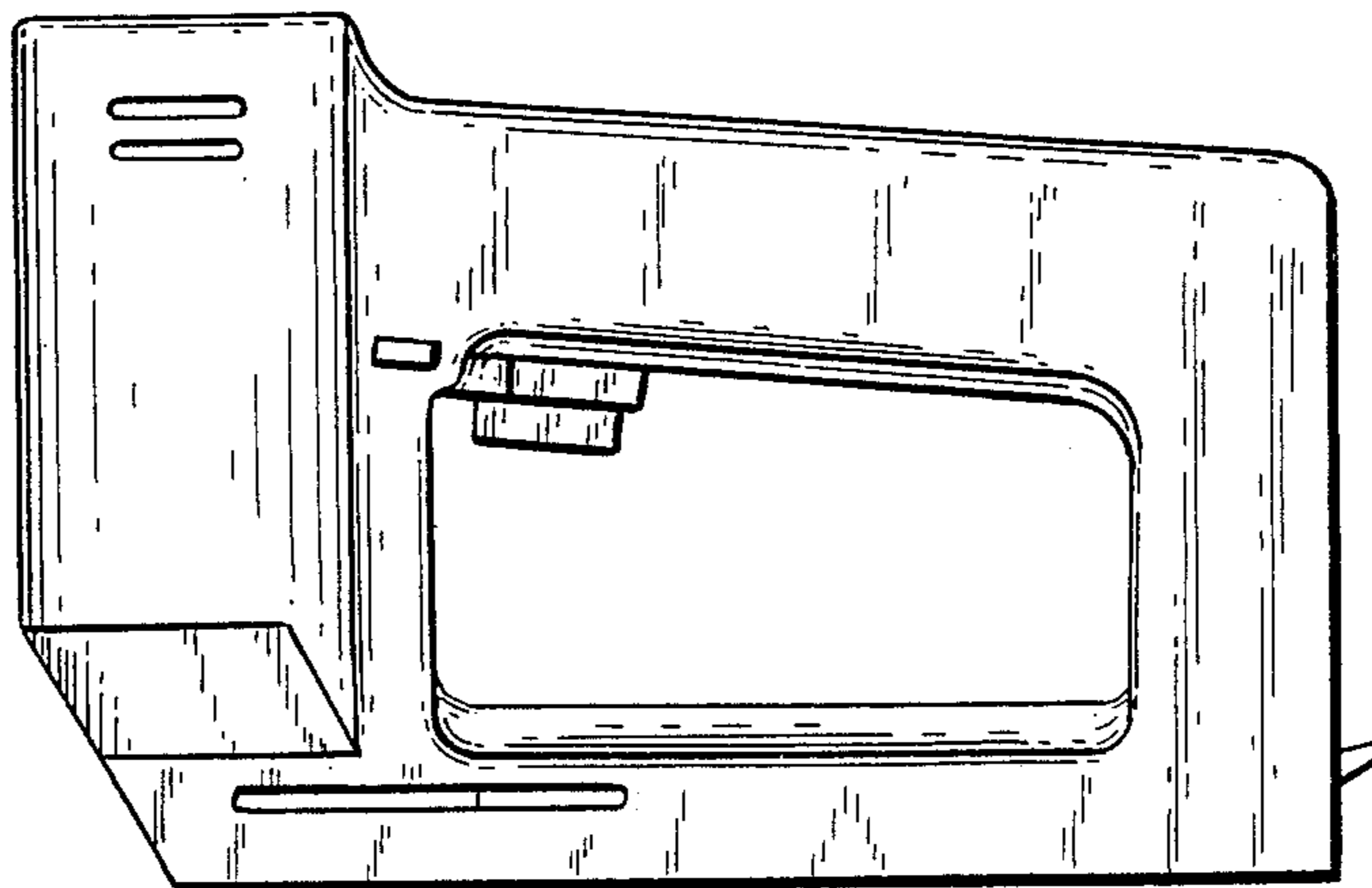


FIG. 3

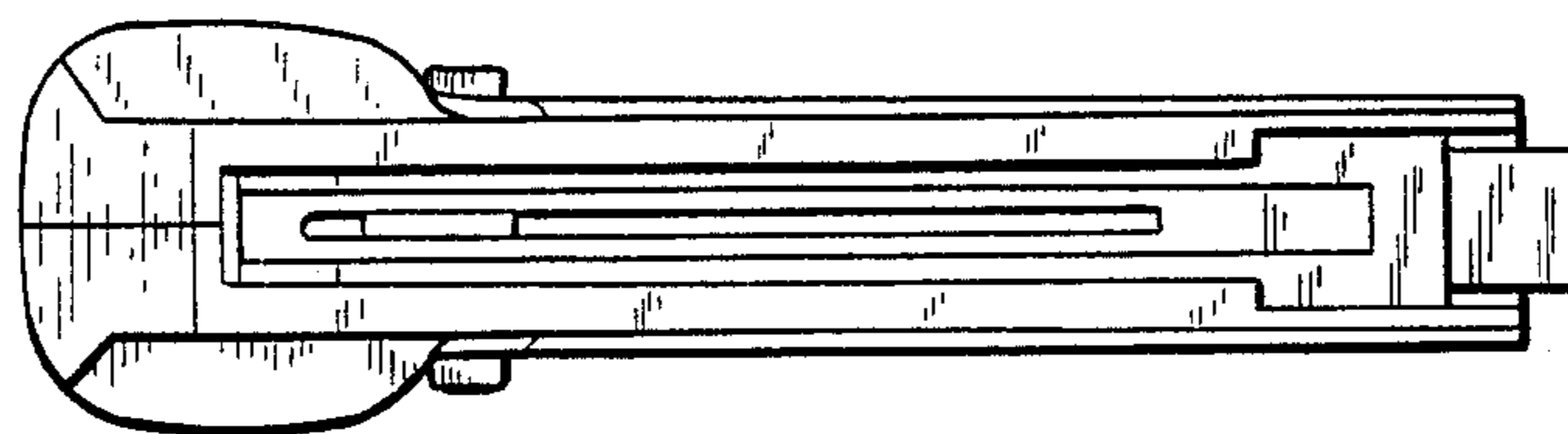


FIG. 4

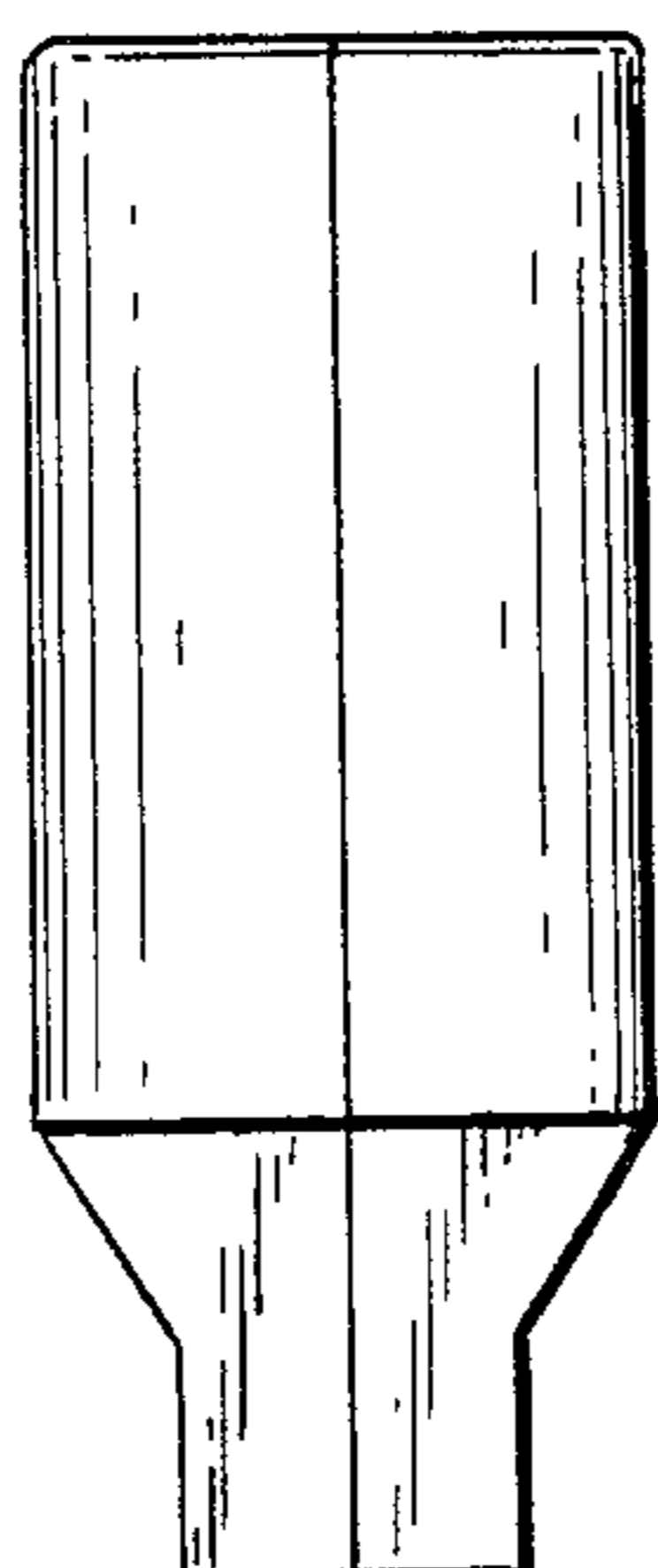


FIG. 5

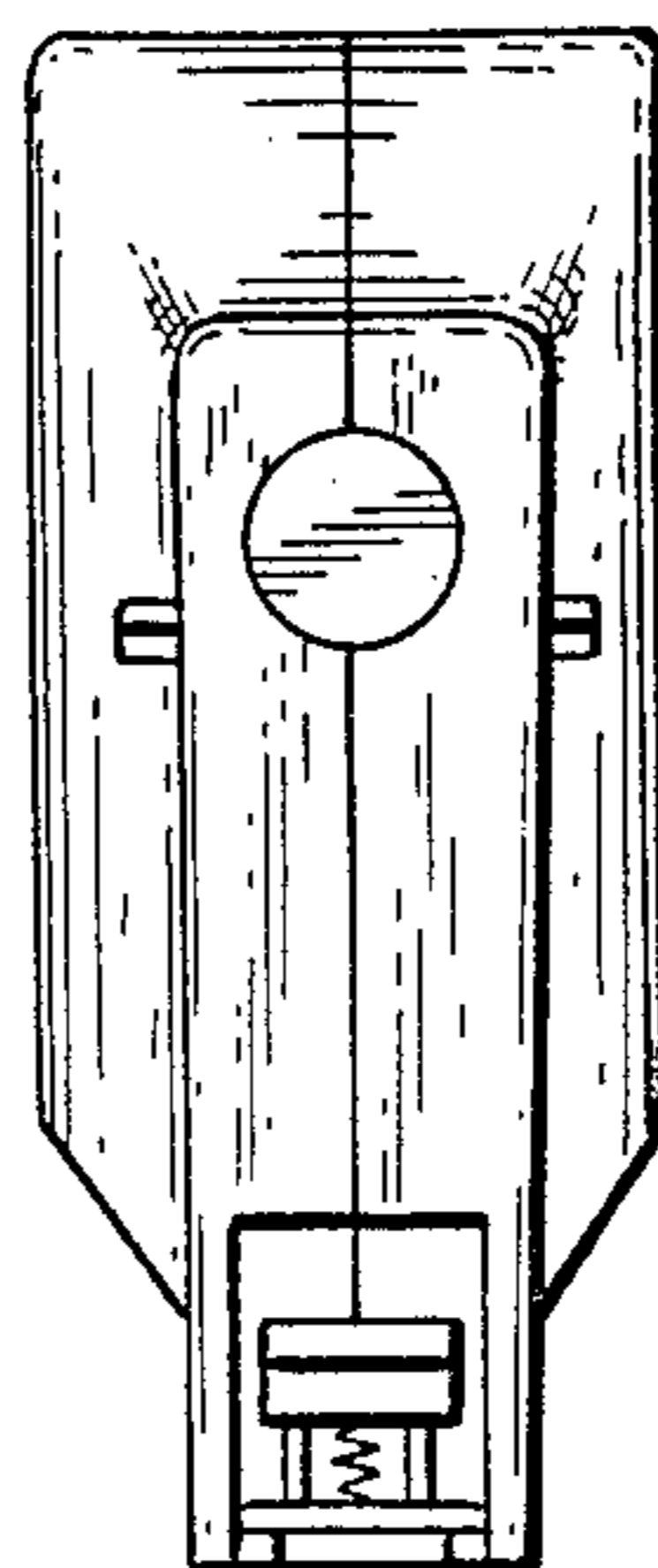


FIG. 6