

United States Patent [19]

Johnsson et al.

[11] Patent Number: **Des. 311,122**

[45] Date of Patent: **** Oct. 9, 1990**

[54] **STAPLE GUN**

[75] Inventors: **Nils Johnsson, Axvall; Börje Eriksson, Hjo; Lars G. Rosenblad, Skärstad, all of Sweden**

[73] Assignee: **Josef Kihlberg AB, Hjo, Sweden**

[**] Term: **14 Years**

[21] Appl. No.: **154,619**

[22] Filed: **Feb. 10, 1988**

[30] **Foreign Application Priority Data**

Aug. 13, 1987 [SE] Sweden 87-1770

[52] U.S. Cl. **D8/49**

[58] Field of Search D8/49, 50, 61, 69; 227/120, 127-128, 130-132; 173/117, 169, 119

[56] **References Cited**

U.S. PATENT DOCUMENTS

D. 266,221 9/1982 Ewig D8/49
D. 282,345 1/1986 Fehrs D8/49
4,230,249 10/1980 Nasiatka D8/49 X

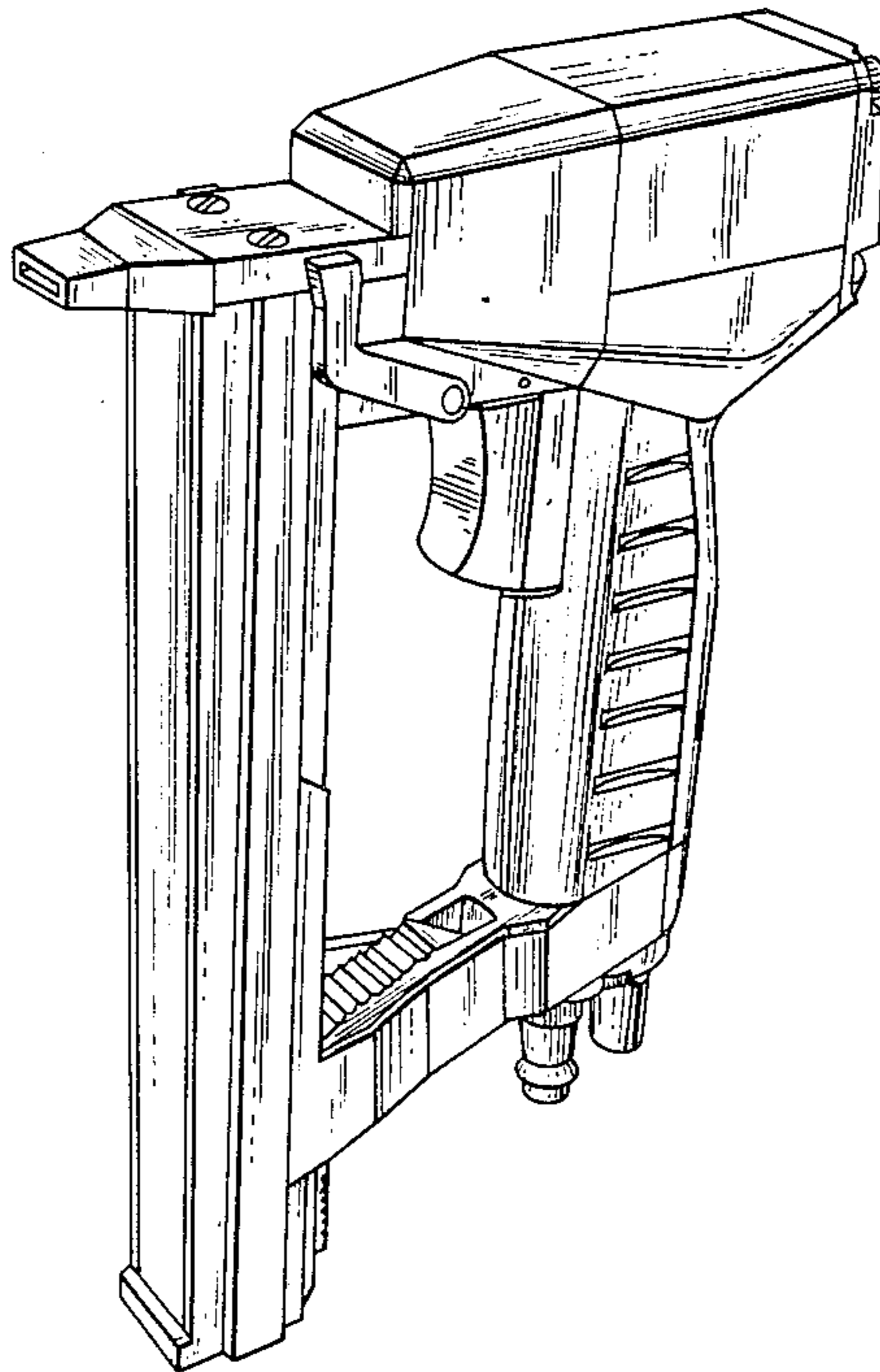
Primary Examiner—Bernard Ansher
Assistant Examiner—Terry A. Pfeffer

[57] **CLAIM**

The ornamental design for a staple gun, as shown and described.

DESCRIPTION

FIG. 1 is a top, rear, right side perspective view of a staple gun showing our new design; and FIG. 2 is a bottom, front, left side perspective view thereof.



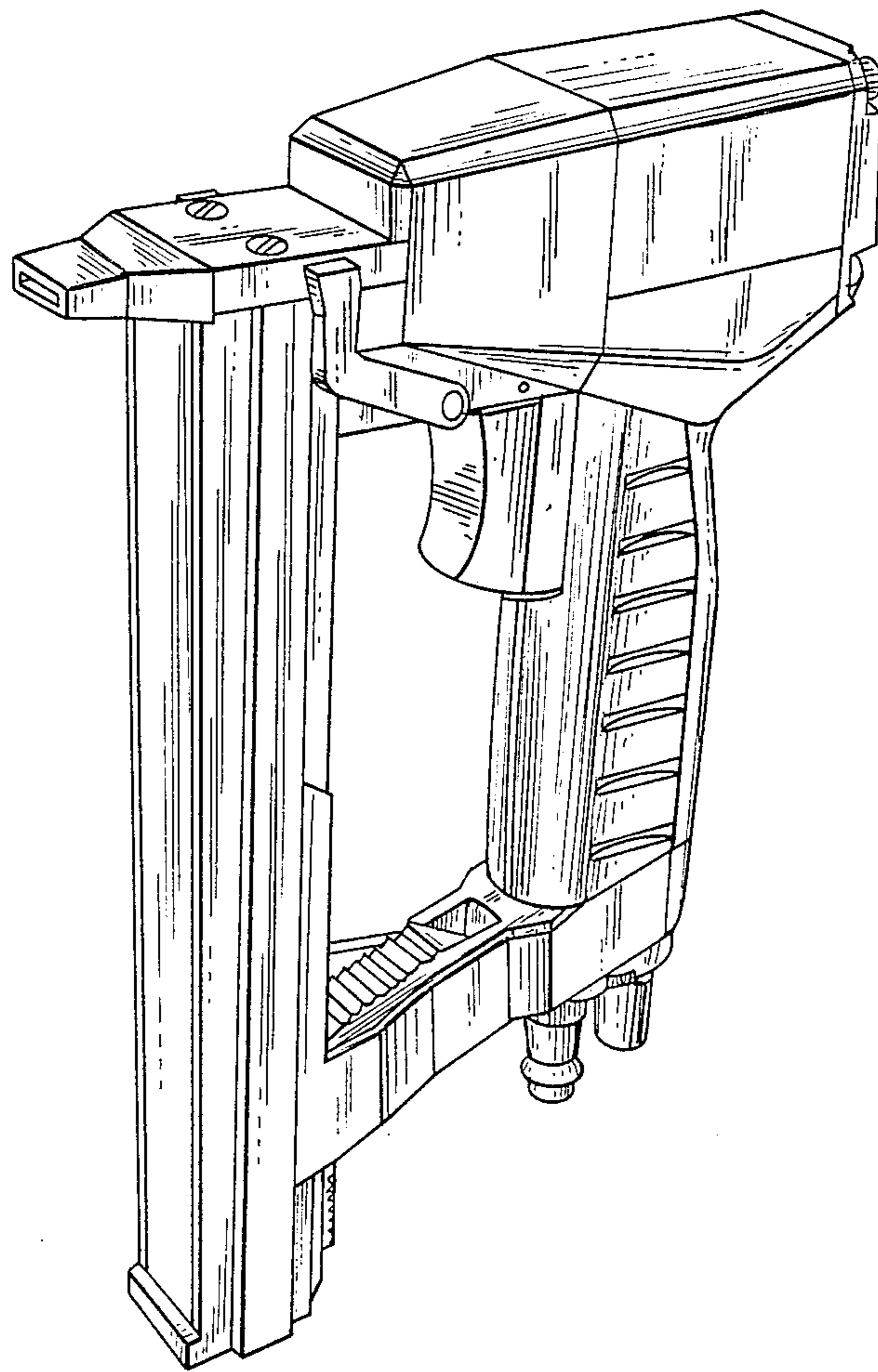


FIG. 1

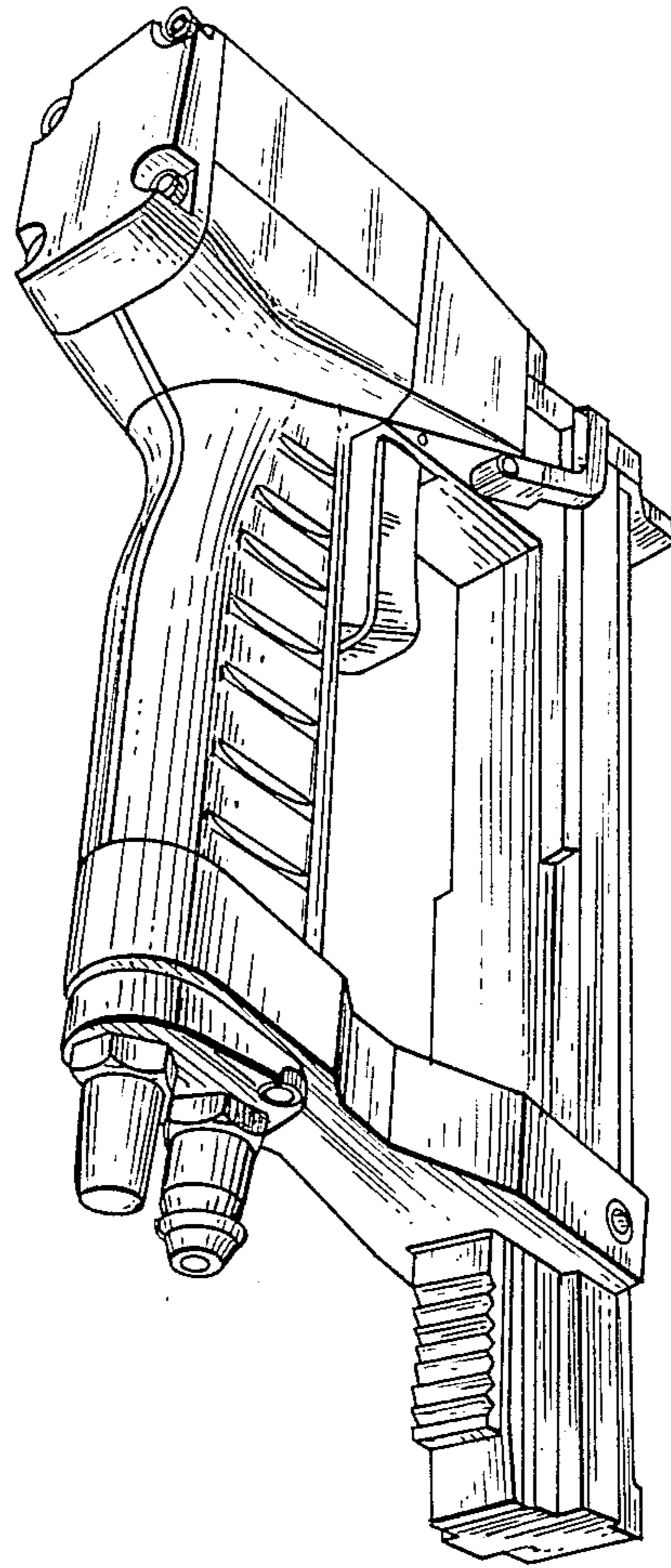


FIG. 2