

- [54] HEDGE TRIMMER
- [75] Inventors: Edward J. Pilatowicz, Woodland Hills; Anthony Carsello, Chino; Richard Landy, Saugus, all of Calif.
- [73] Assignee: Allegretti & Company, Chatsworth, Calif.
- [**] Term: 14 Years
- [21] Appl. No.: 237,234
- [22] Filed: Aug. 26, 1988
- [52] U.S. Cl. D8/8
- [58] Field of Search D8/1, 7-9; 56/233-237; 30/194, 208-210, 228, 144, 223-224

3,309,769 3/1967 Maxson 30/144

Primary Examiner—Wallace R. Burke
Assistant Examiner—Brian N. Vinson
Attorney, Agent, or Firm—Lyon & Lyon

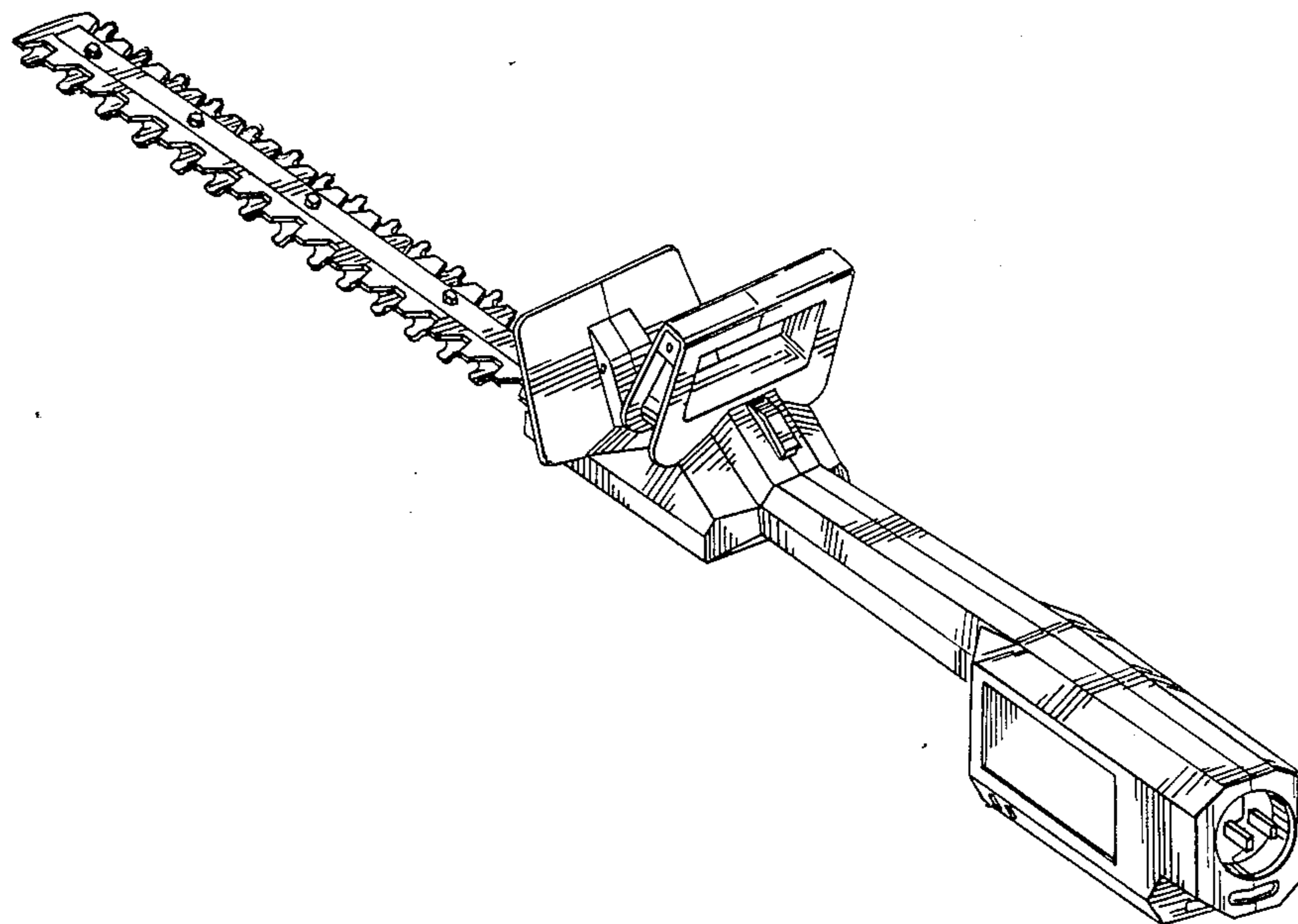
[57] CLAIM

The ornamental design for a hedge trimmer, as shown and described.

DESCRIPTION

FIG. 1 is a perspective view of a hedge trimmer showing our new design;
FIG. 2 is an enlarged top plan view thereof;
FIG. 3 is an enlarged vertical cross-sectional view thereof, taken along line 3—3 of FIG. 2;
FIG. 4 is an enlarged side elevational view thereof, the opposite side being a mirror image of that shown;
FIG. 5 is an enlarged rear elevational view thereof;
FIG. 6 is an enlarged bottom plan view thereof; and
FIG. 7 is an enlarged fragmentary horizontal cross-sectional view thereof, taken along line 7—7 of FIG. 4.
The blade portion has been omitted for convenience of illustration of FIGS. 4-6.

- [56] References Cited
- U.S. PATENT DOCUMENTS
- D. 186,676 11/1959 Katzfey et al. D8/8
- D. 226,420 3/1973 Bartasevich, Jr. et al. D8/8
- D. 285,894 9/1986 Kawakami et al. D8/8



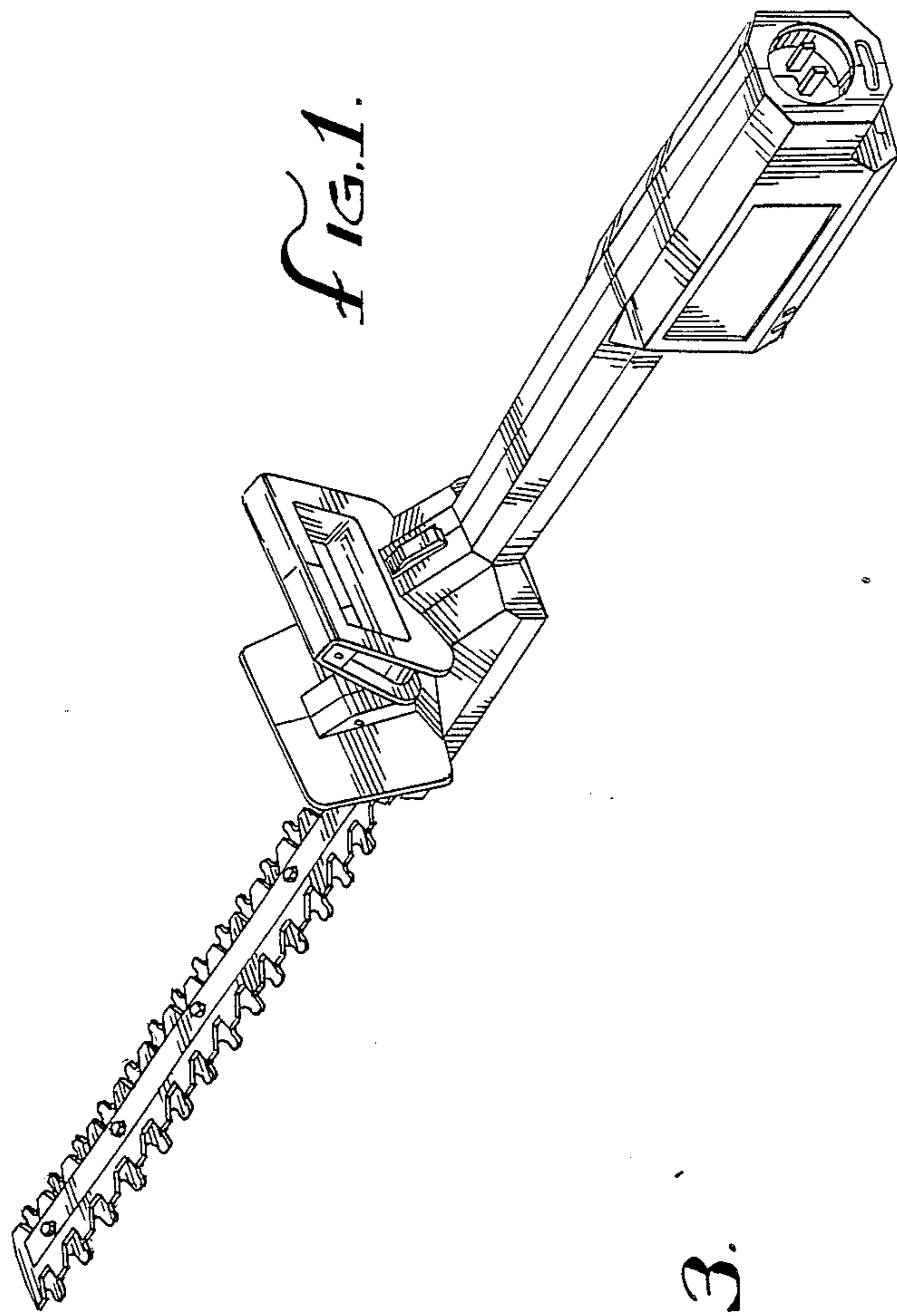


FIG. 1.

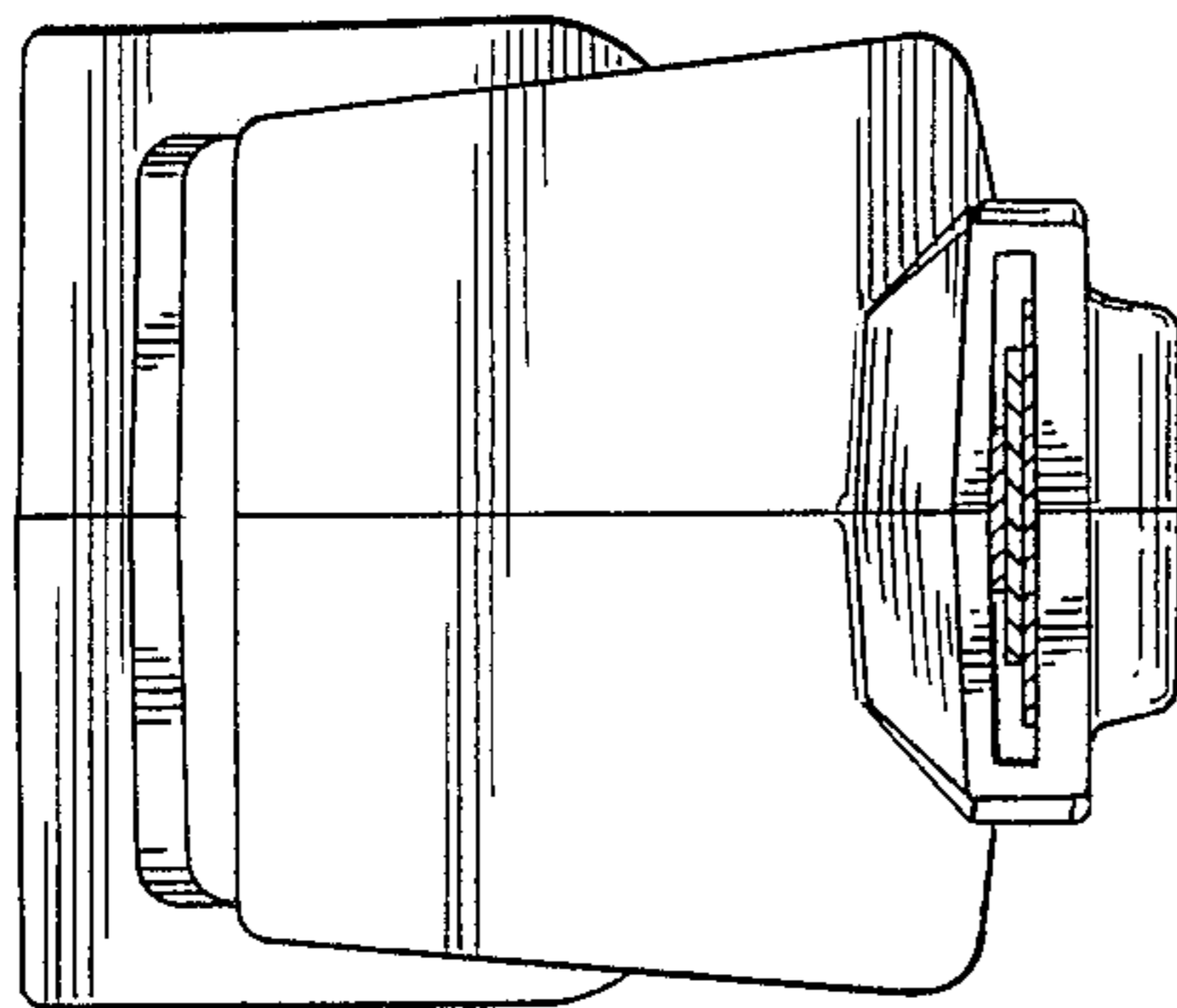


FIG. 3.

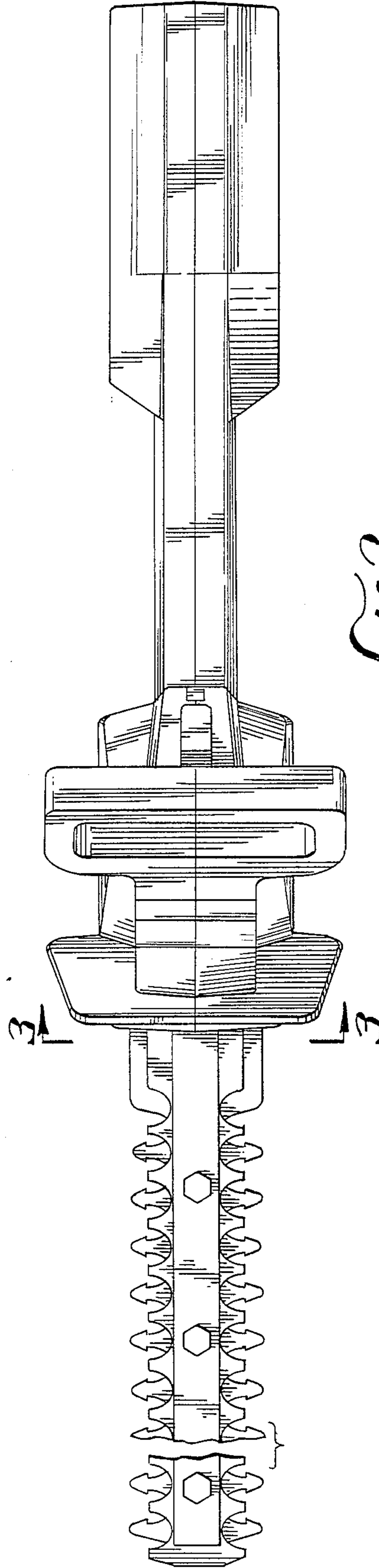


FIG. 2.

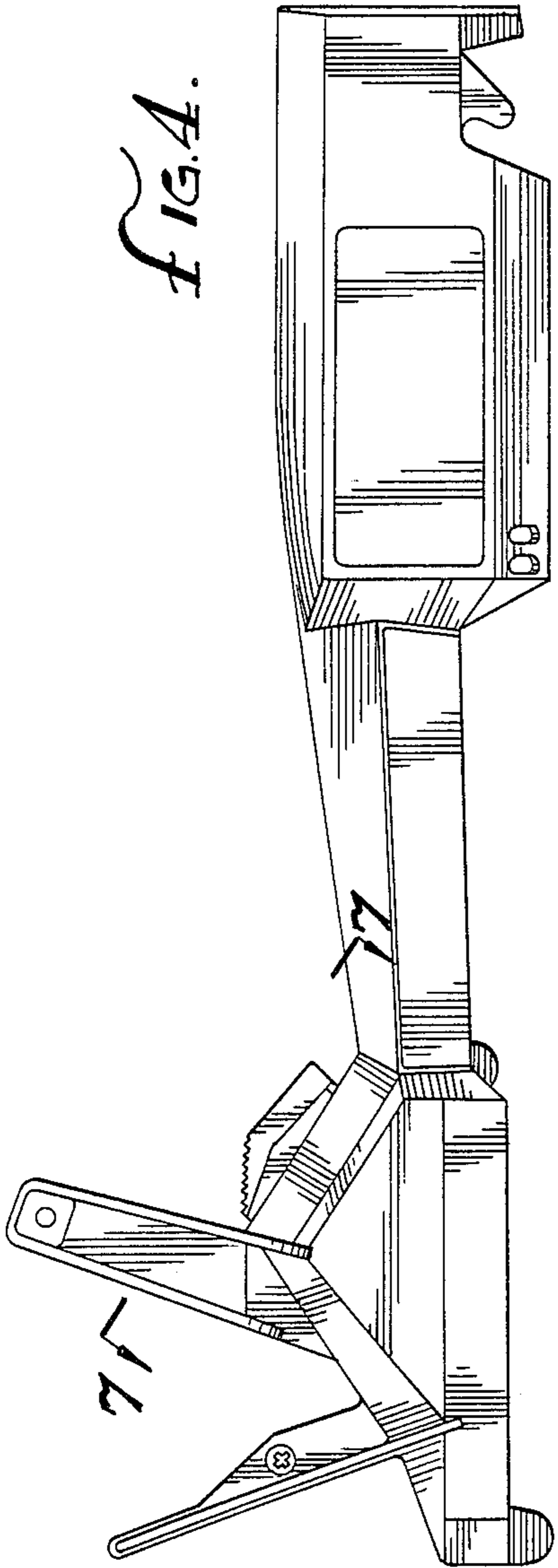


FIG. 4.

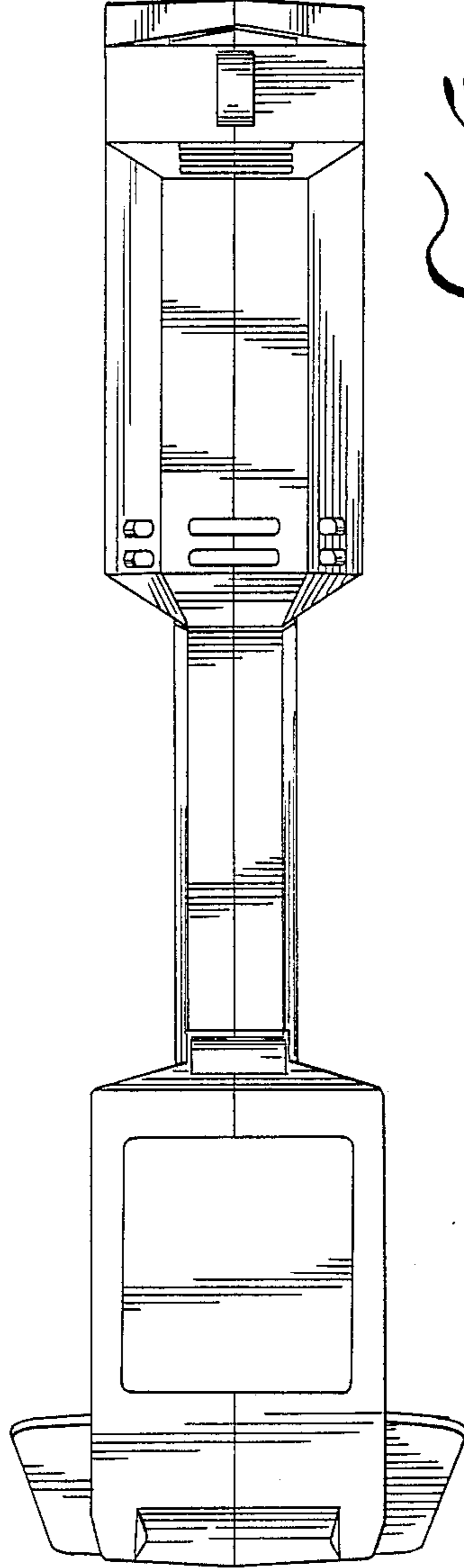


FIG. 6.

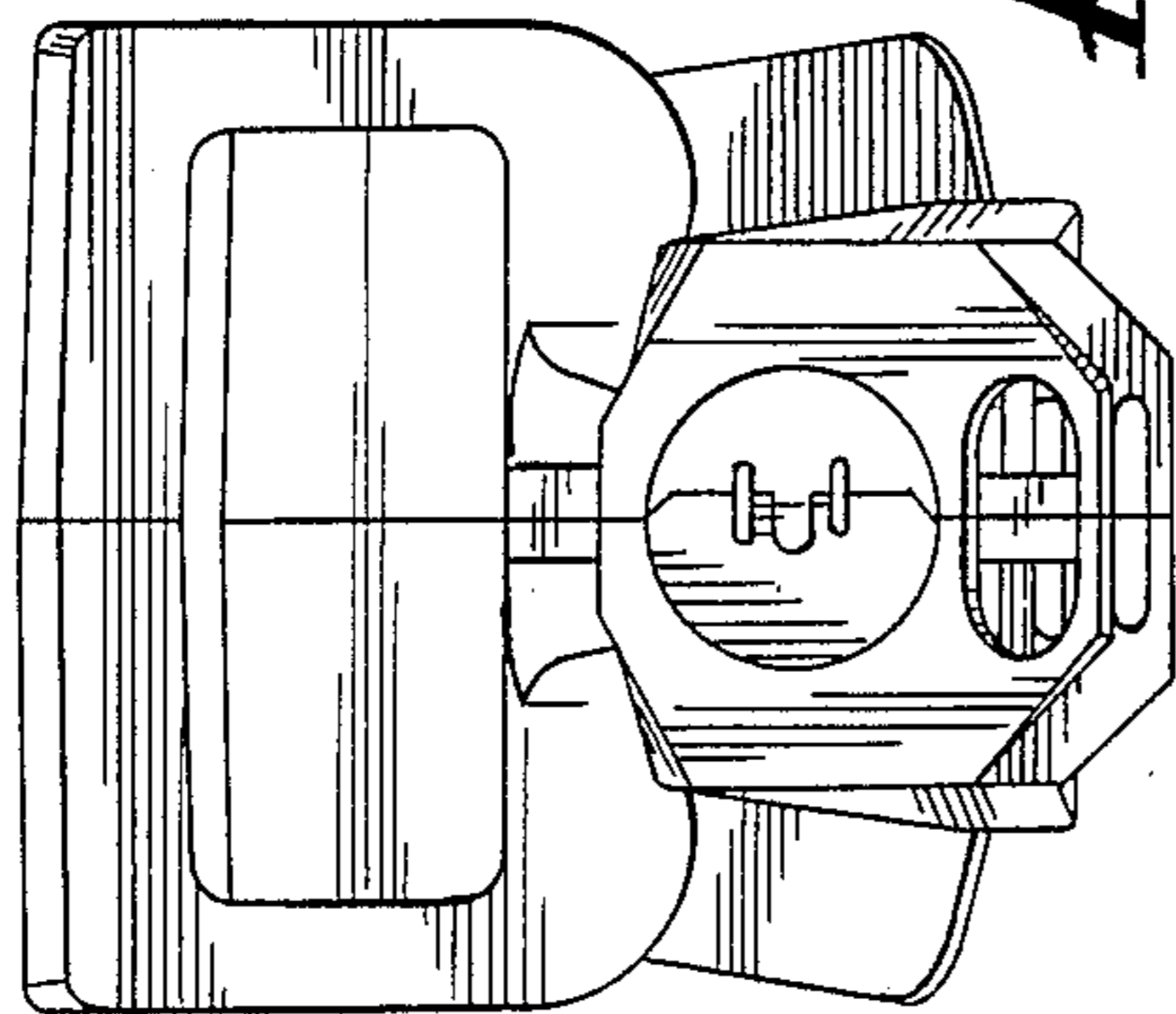


FIG. 5.

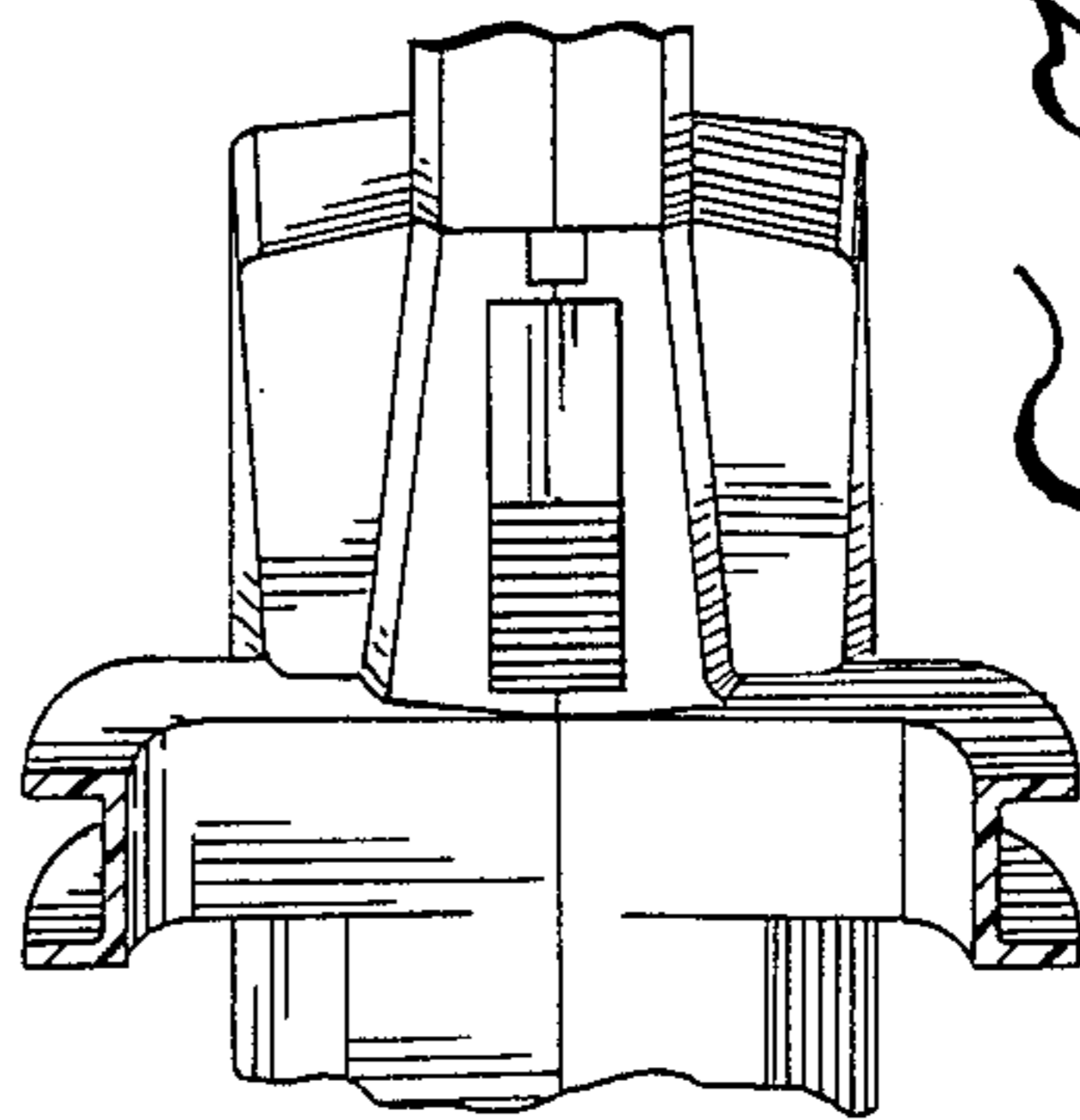


FIG. 7.