

[54] KITCHEN UTENSIL OR THE LIKE

3,596,965 8/1971 Woofter .

[75] Inventors: Victor J. J. Cautereels, Borsbeek; Pieter K. J. DeCoster, Aalst; Robert H. C. M. Daenen, Erembodegem, all of Belgium

OTHER PUBLICATIONS

Housewares, 4/1/87, p. 42, Handle to Utensils. Ingrid, Ltd. Catalog, Jan. 9, 1978, p. 94, Kitchen Utensils.

[73] Assignee: Dart Industries Inc., Deerfield, Ill.

Primary Examiner—Bernard Ansher  
Assistant Examiner—Terry A. Pfeffer  
Attorney, Agent, or Firm—John A. Doniger

[\*\*] Term: 14 Years

[21] Appl. No.: 206,165

[57] CLAIM

The ornamental design for a kitchen utensil or the like, as shown.

[22] Filed: Jun. 10, 1988

[52] U.S. Cl. .... D7/688

[58] Field of Search ..... D7/99-106, D7/140, 142; 30/324-328, 142; 294/7, 8

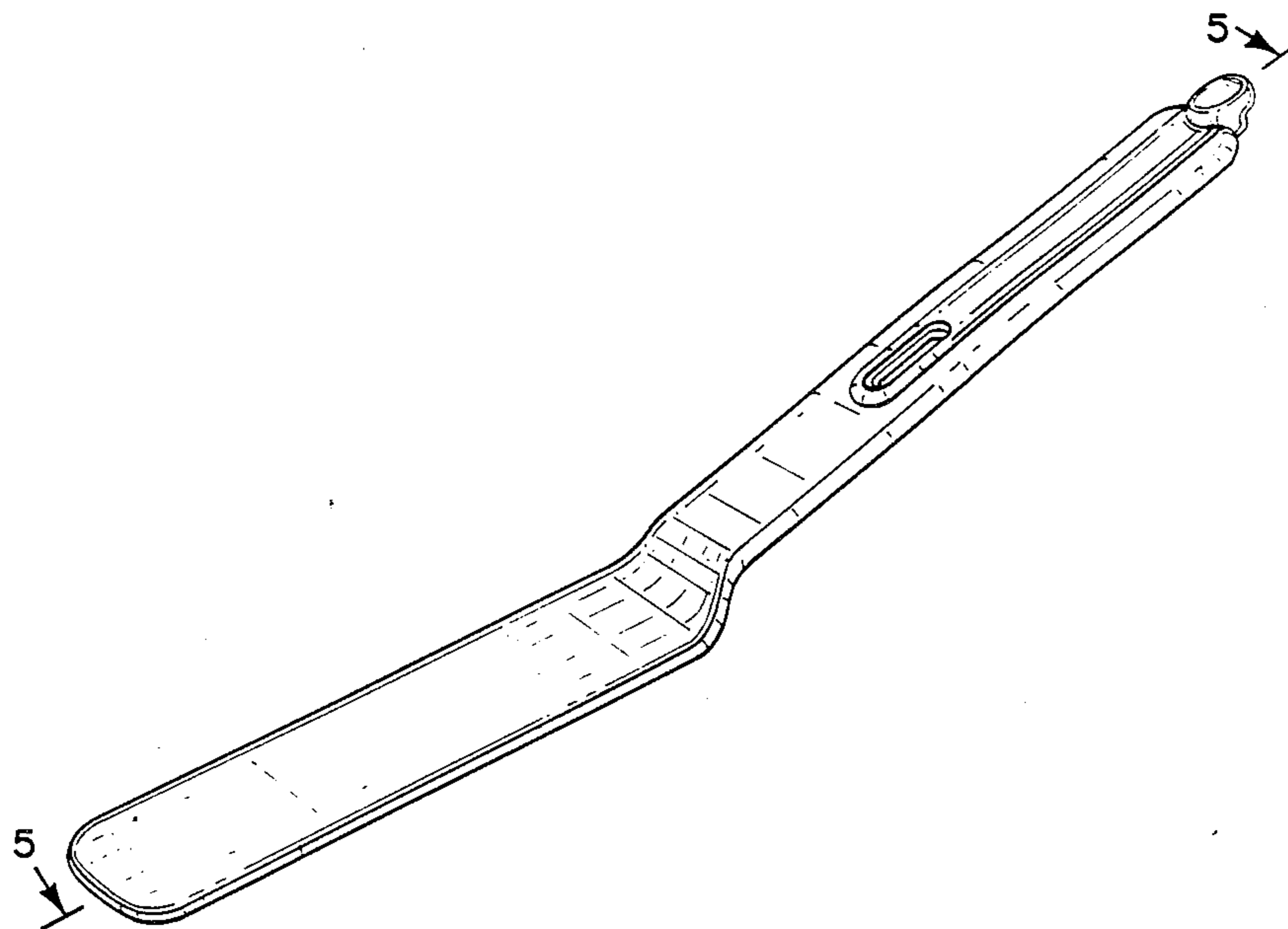
DESCRIPTION

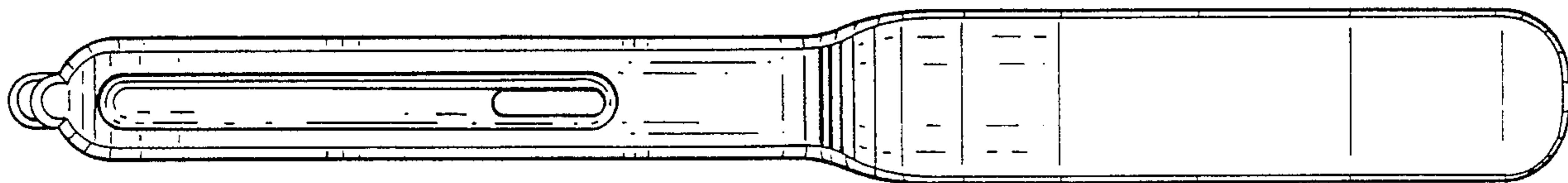
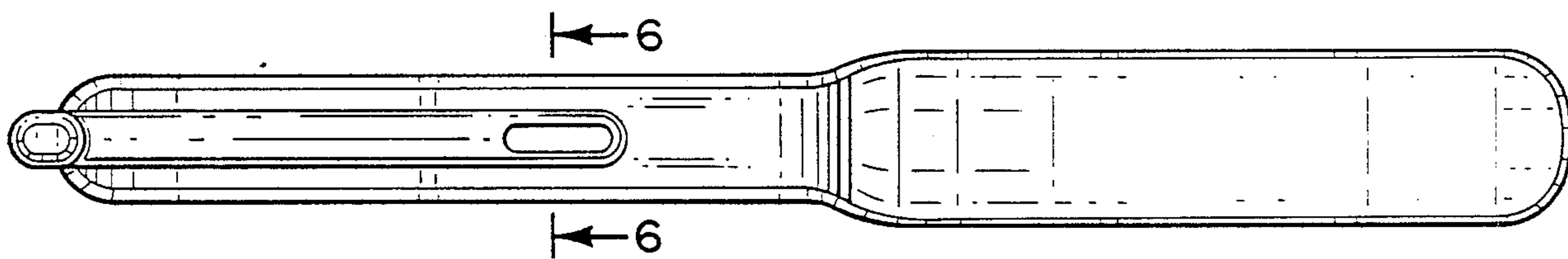
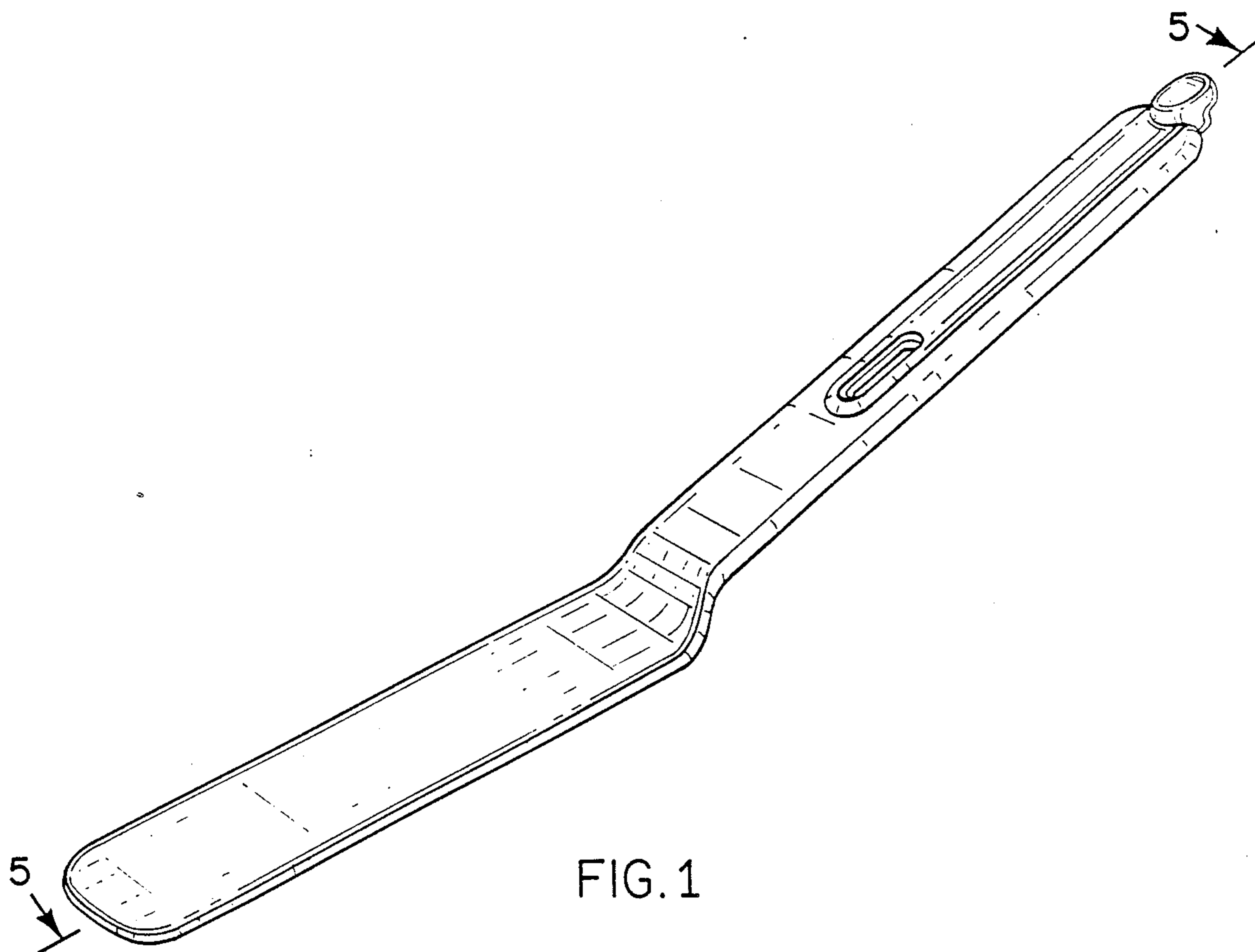
FIG. 1 is a top perspective view of a kitchen utensil or the like showing our new design;  
FIG. 2 is a top plan view thereof;  
FIG. 3 is a bottom plan view thereof;  
FIG. 4 is a side elevational view thereof;  
FIG. 5 is a cross-sectional view taken along line 5—5 of FIG. 1;  
FIG. 6 is a cross-sectional view taken along line 6—6 of FIG. 2.

[56] References Cited

U.S. PATENT DOCUMENTS

- D. 237,449 11/1975 Montesi .
- D. 268,243 3/1983 Morin ..... D7/102
- D. 268,244 3/1983 Morin ..... D7/104
- D. 297,092 8/1988 Leung ..... D7/102
- 885,444 4/1908 Cram .
- 2,923,059 2/1960 Campagna ..... 30/325





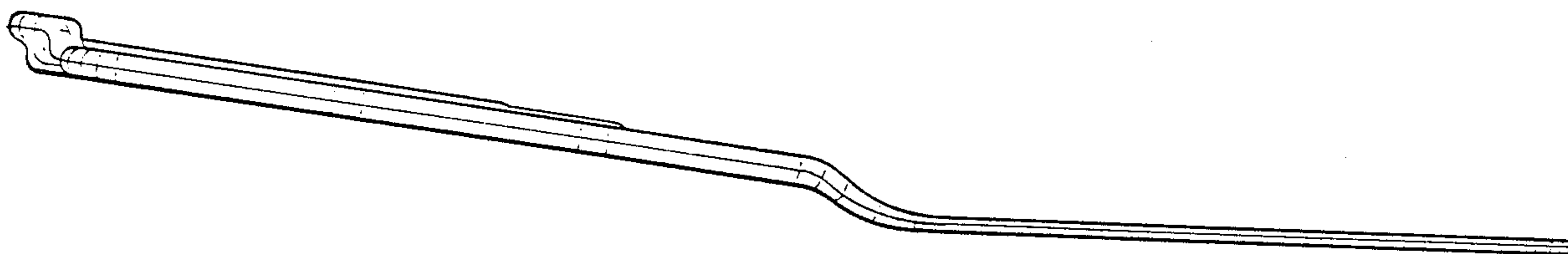


FIG. 4

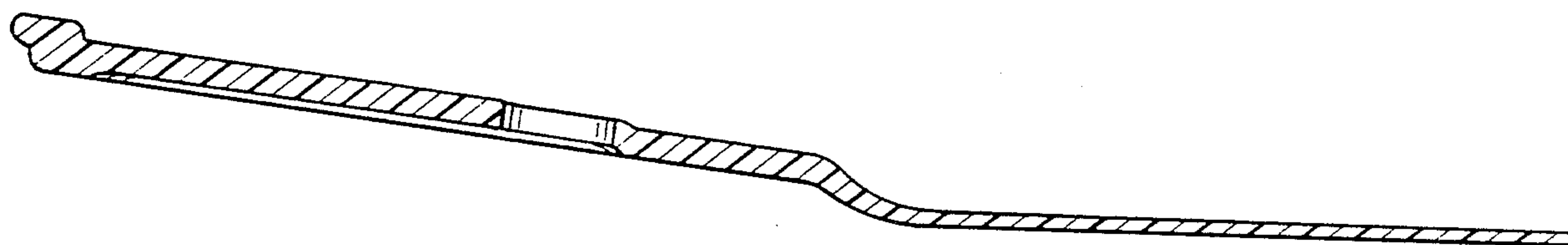


FIG. 5

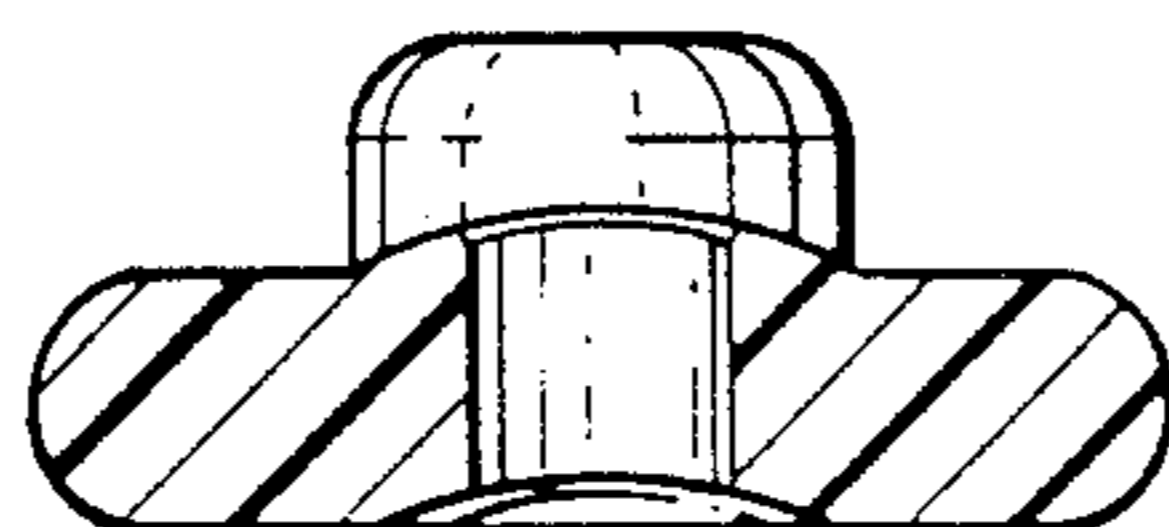


FIG. 6