

[54] **TUNA CAN SQUEEZER**

4,355,574 10/1982 Bond et al. D7/666 X

[76] **Inventor: Robert A. Pentland, 24625 Military Rd. S., Kent, Wash. 98032**

Primary Examiner—Bernard Ansher
Assistant Examiner—Terry A. Pfeffer
Attorney, Agent, or Firm—Jerry T. Kearns

[**] **Term: 14 Years**

[57] **CLAIM**

[21] **Appl. No.: 176,378**

The ornamental design for a tuna can squeezer, as shown and described.

[22] **Filed: Mar. 31, 1988**

[52] **U.S. Cl. D7/666; D7/686**

DESCRIPTION

[58] **Field of Search D7/665-666, D7/687, 686; D8/56, 52; 100/234, 243, 104, 125; 294/12, 16, 28-29, 32, 6, 8.5, 7**

FIG. 1 is a front elevational view of a tuna can squeezer showing my new design;

FIG. 2 is a rear elevational view thereof;

FIG. 3 is a left side elevational view thereof;

FIG. 4 is a right side elevational view thereof;

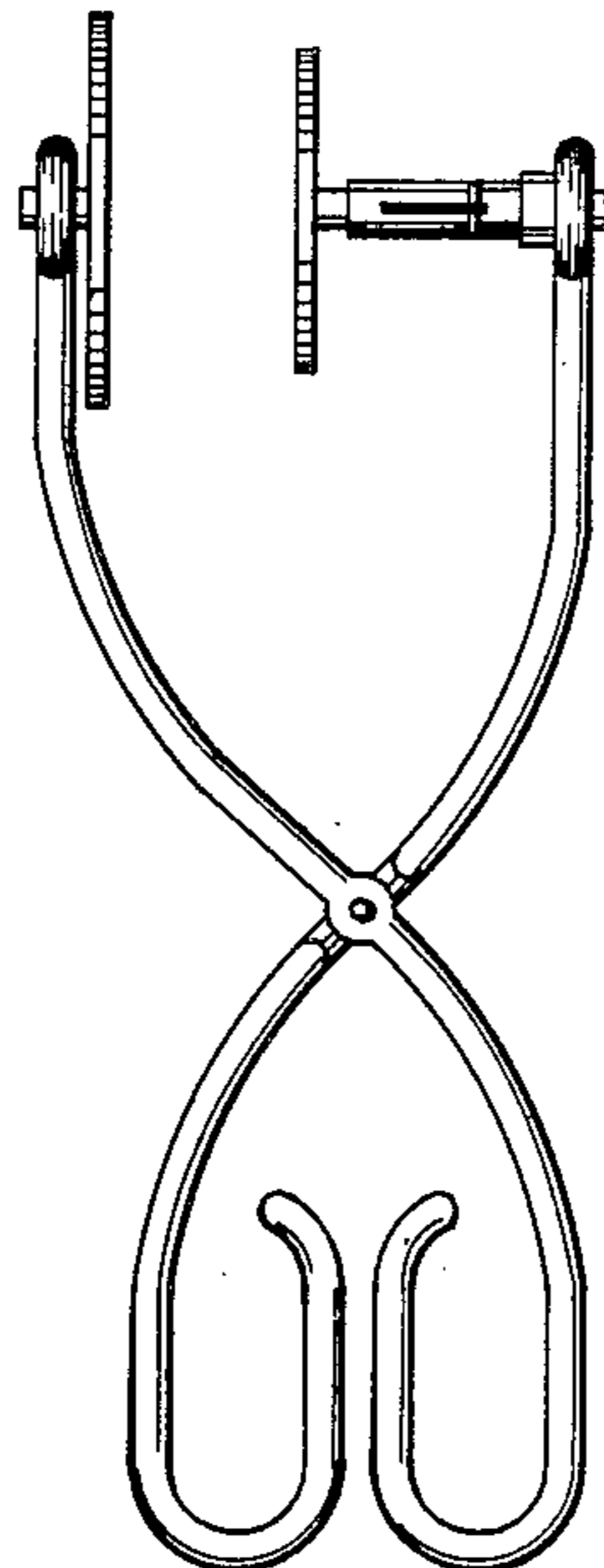
FIG. 5 is a top plan view thereof; and,

FIG. 6 is a bottom plan view thereof.

[56] **References Cited**

U.S. PATENT DOCUMENTS

D. 244,118 4/1977 Dick D7/686



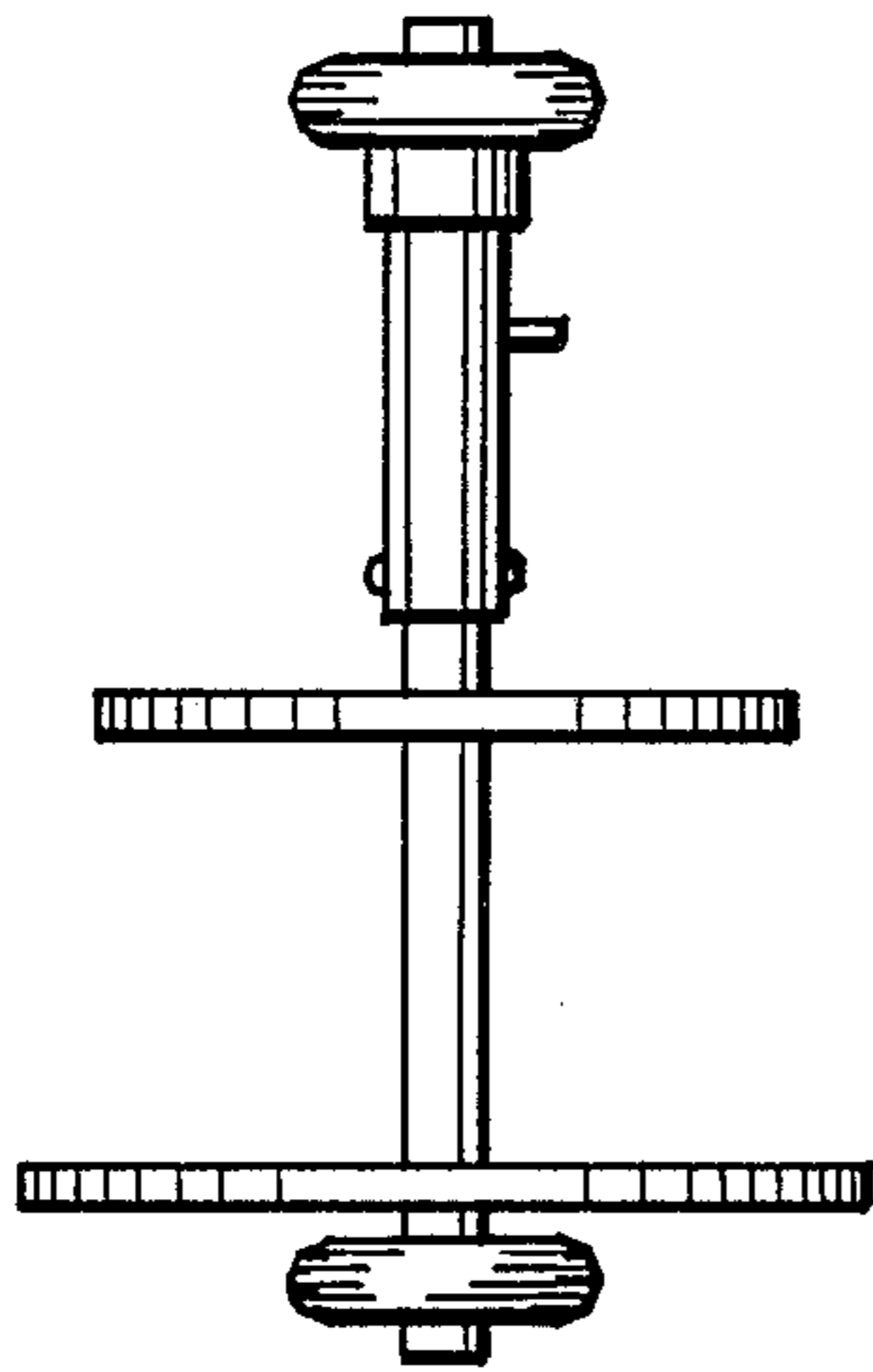


Fig. 1

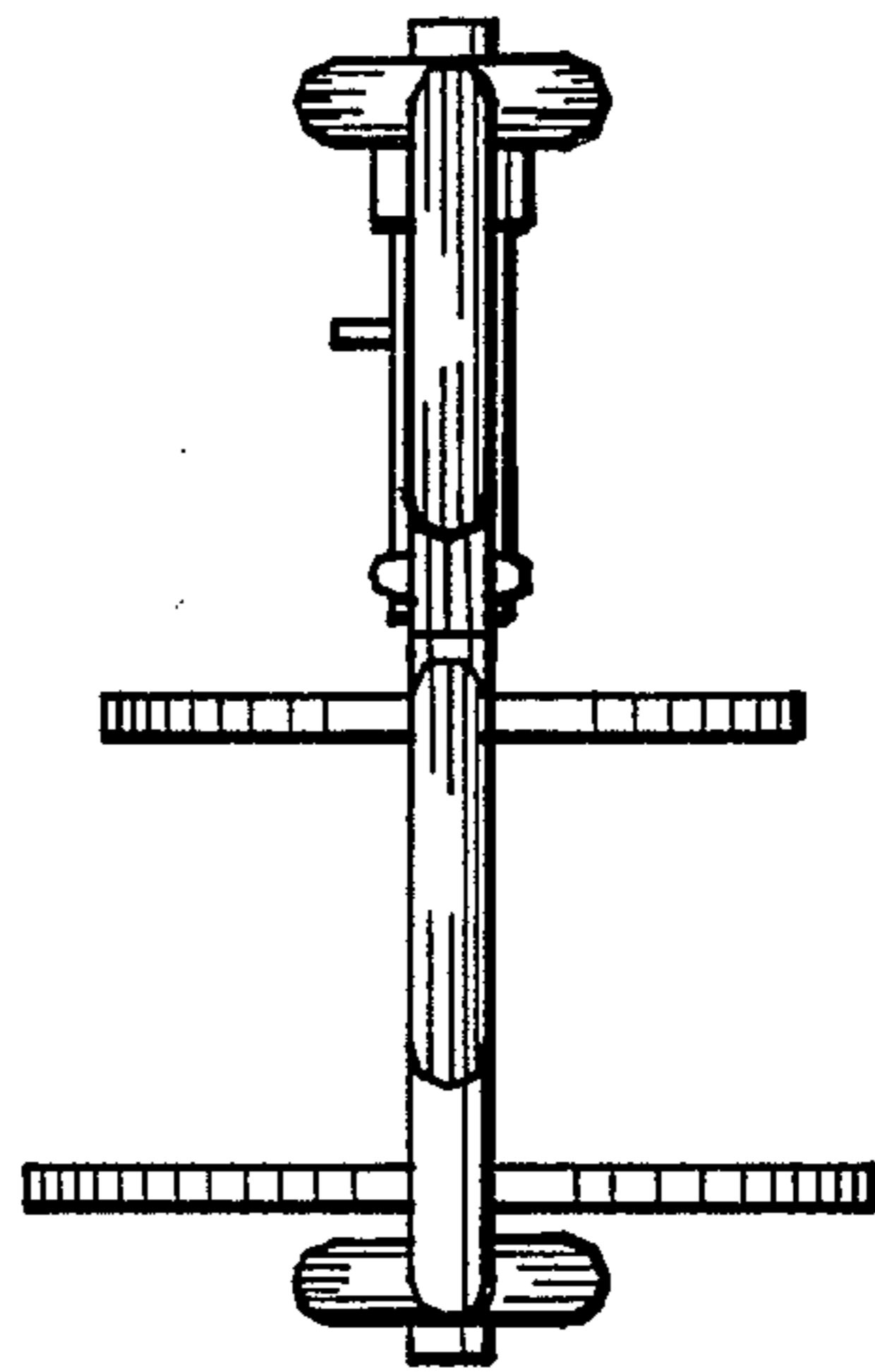


Fig. 2

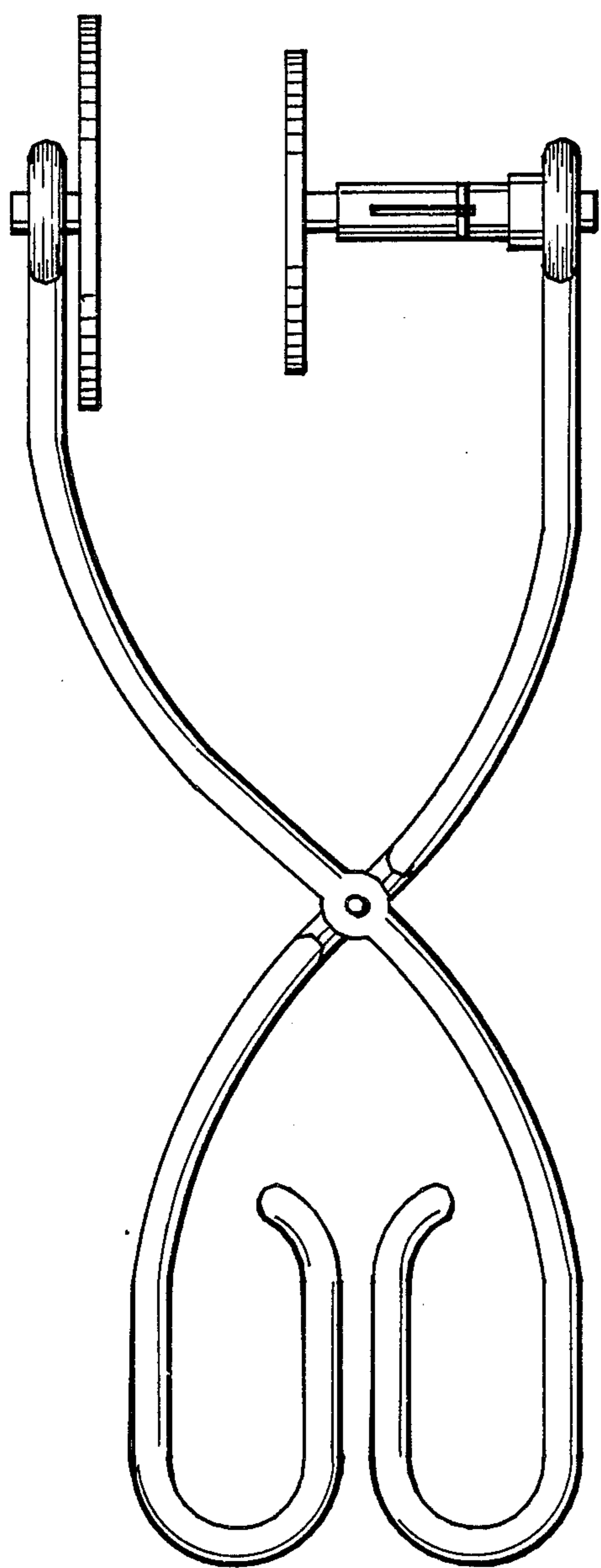


Fig. 3

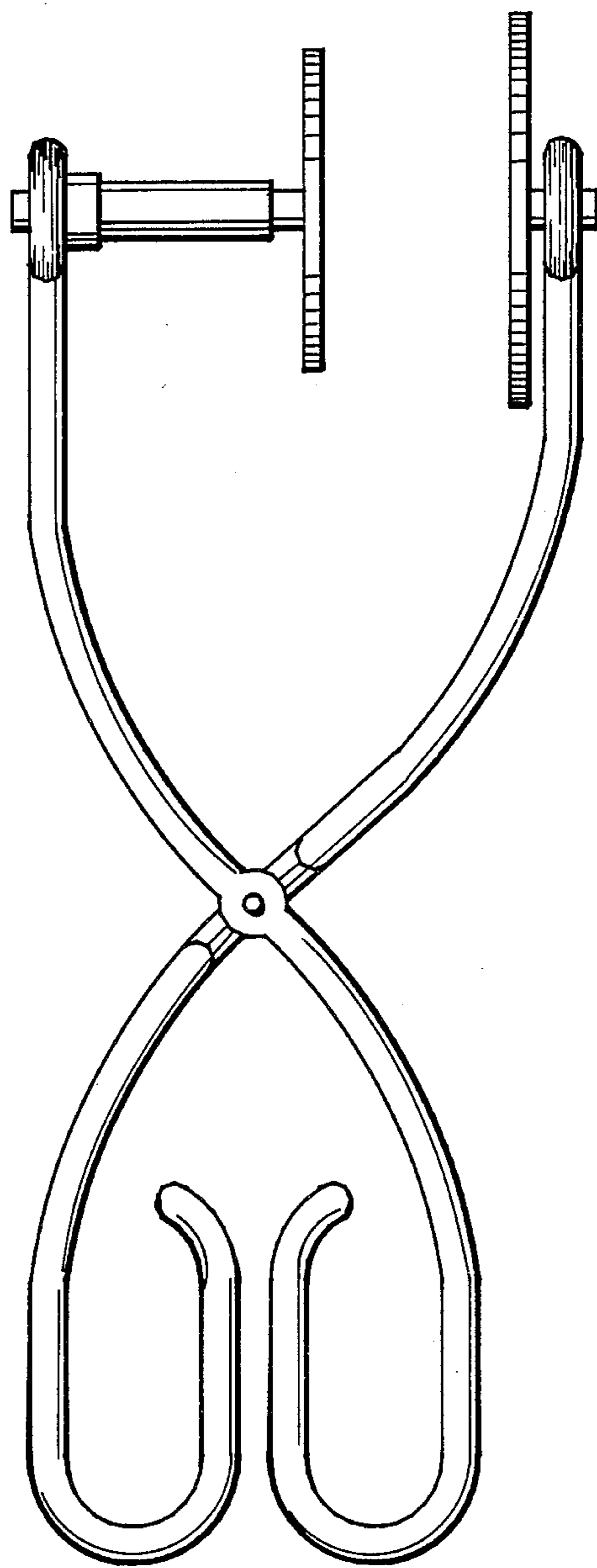


Fig. 4

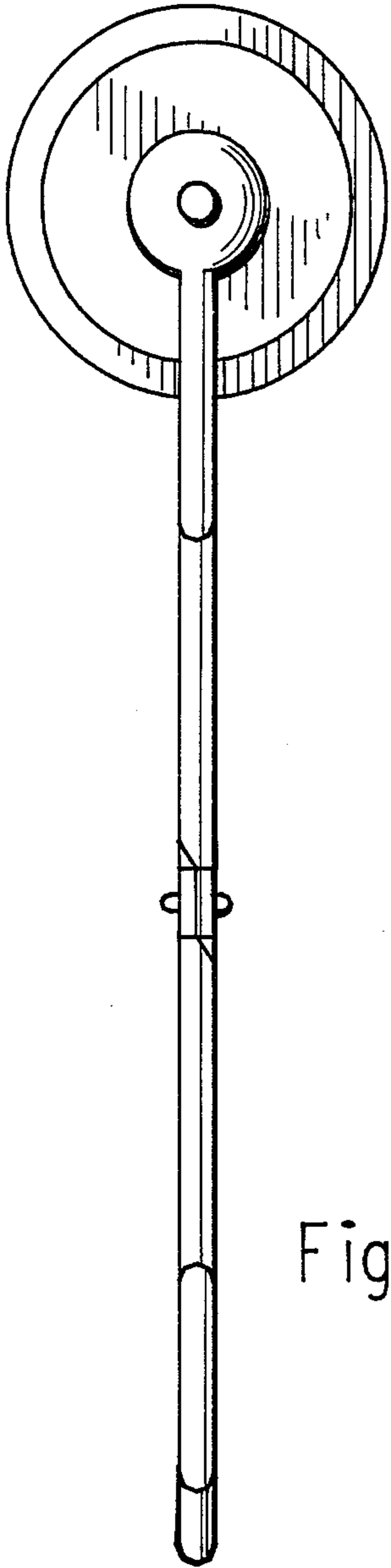


Fig. 5

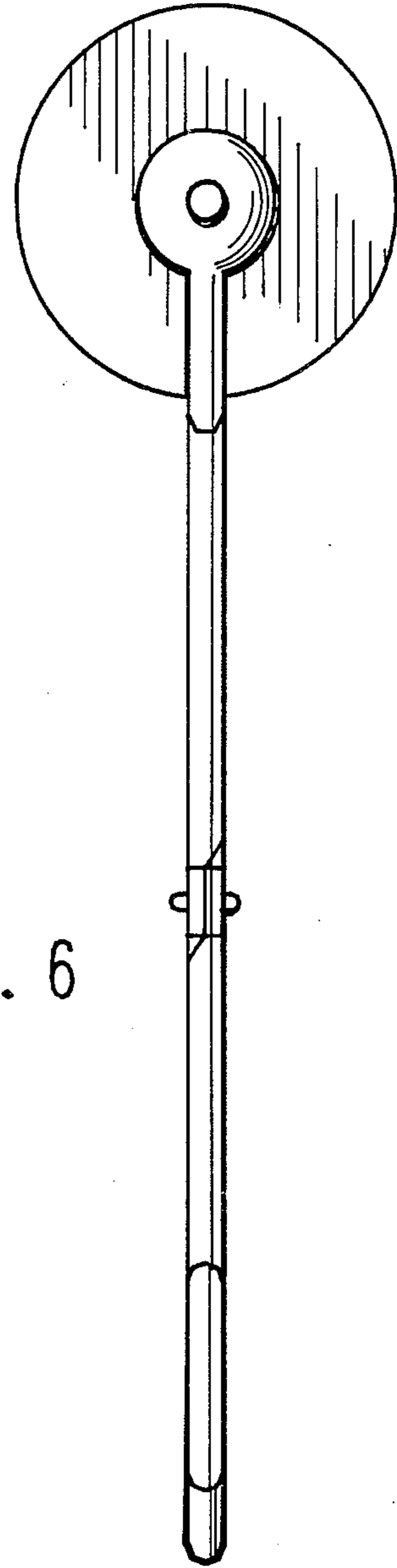


Fig. 6