

[54] **FLOATING BEVERAGE CARRIER**

4,836,403 6/1989 Blackman ..... 211/75 X

[76] **Inventor: Tim Abraham, 700 E. Union Ct.,  
Broken Arrow, Okla. 74011**

*Primary Examiner*—Bernard Ansher  
*Assistant Examiner*—Terry A. Pfeffer  
*Attorney, Agent, or Firm*—Henderson & Sturm

[\*\*] **Term: 14 Years**

[57] **CLAIM**

[21] **Appl. No.: 241,273**

The ornamental design for a floating beverage carrier,  
as shown and described.

[22] **Filed: Sep. 7, 1988**

[52] **U.S. Cl. .... D7/616**

**DESCRIPTION**

[58] **Field of Search** ..... D7/616, 619, 553;  
D6/527, 531, 535, 569; D9/455; 211/74-75;  
206/203, 194, 503

FIG. 1 is a perspective view of the floating beverage carrier showing my new design;  
FIG. 2 is a top plan view thereof;  
FIG. 3 is a bottom plan view thereof;  
FIG. 4 is a right side elevational view thereof; and  
FIG. 5 is a rear elevational view thereof.

[56] **References Cited**

**U.S. PATENT DOCUMENTS**

3,315,858 4/1967 Horne ..... D7/616  
3,904,041 9/1975 Madgebow ..... 211/75 X

The cups shown in broken lines for illustrative purposes only.

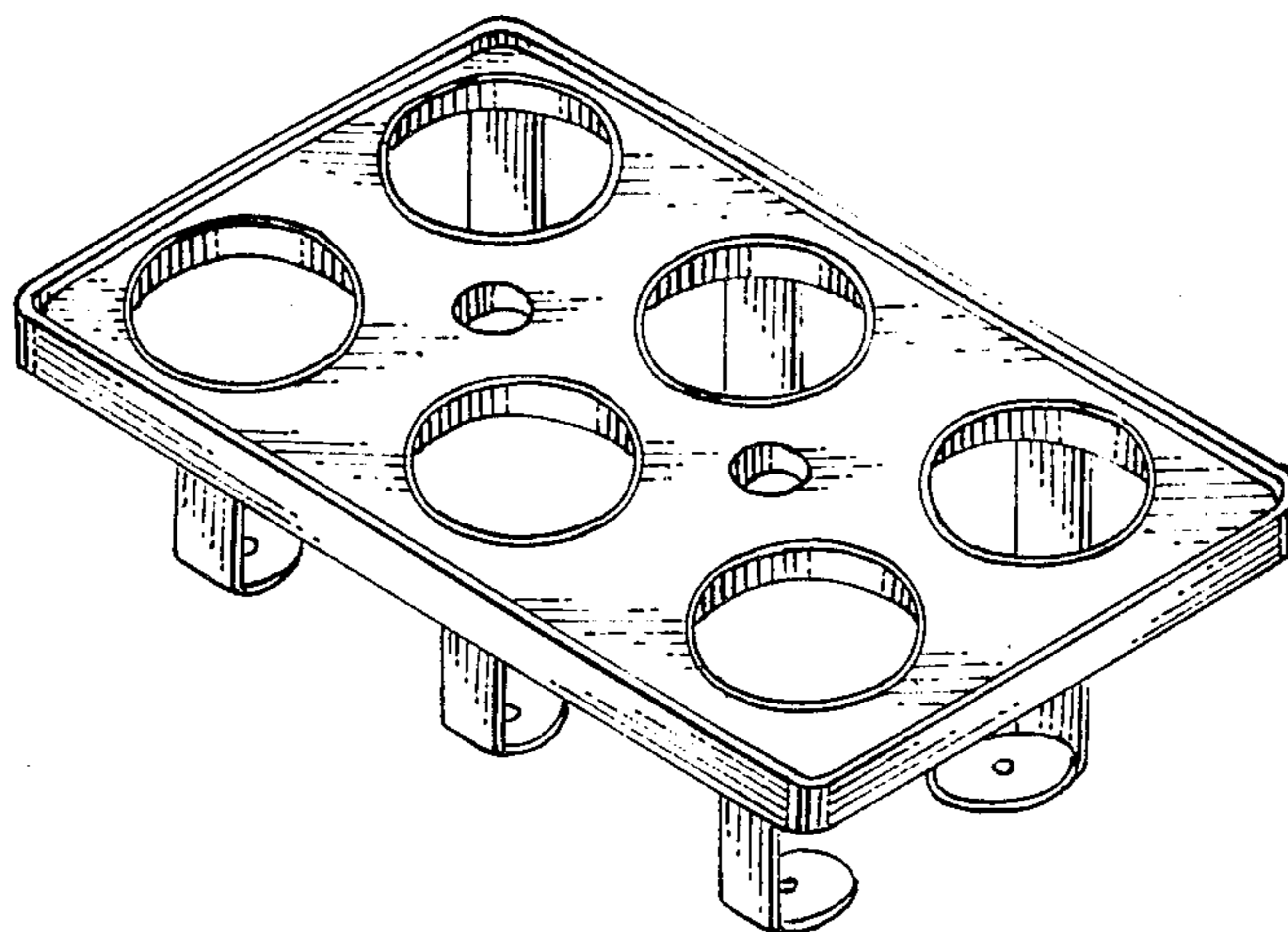


FIG. 1.

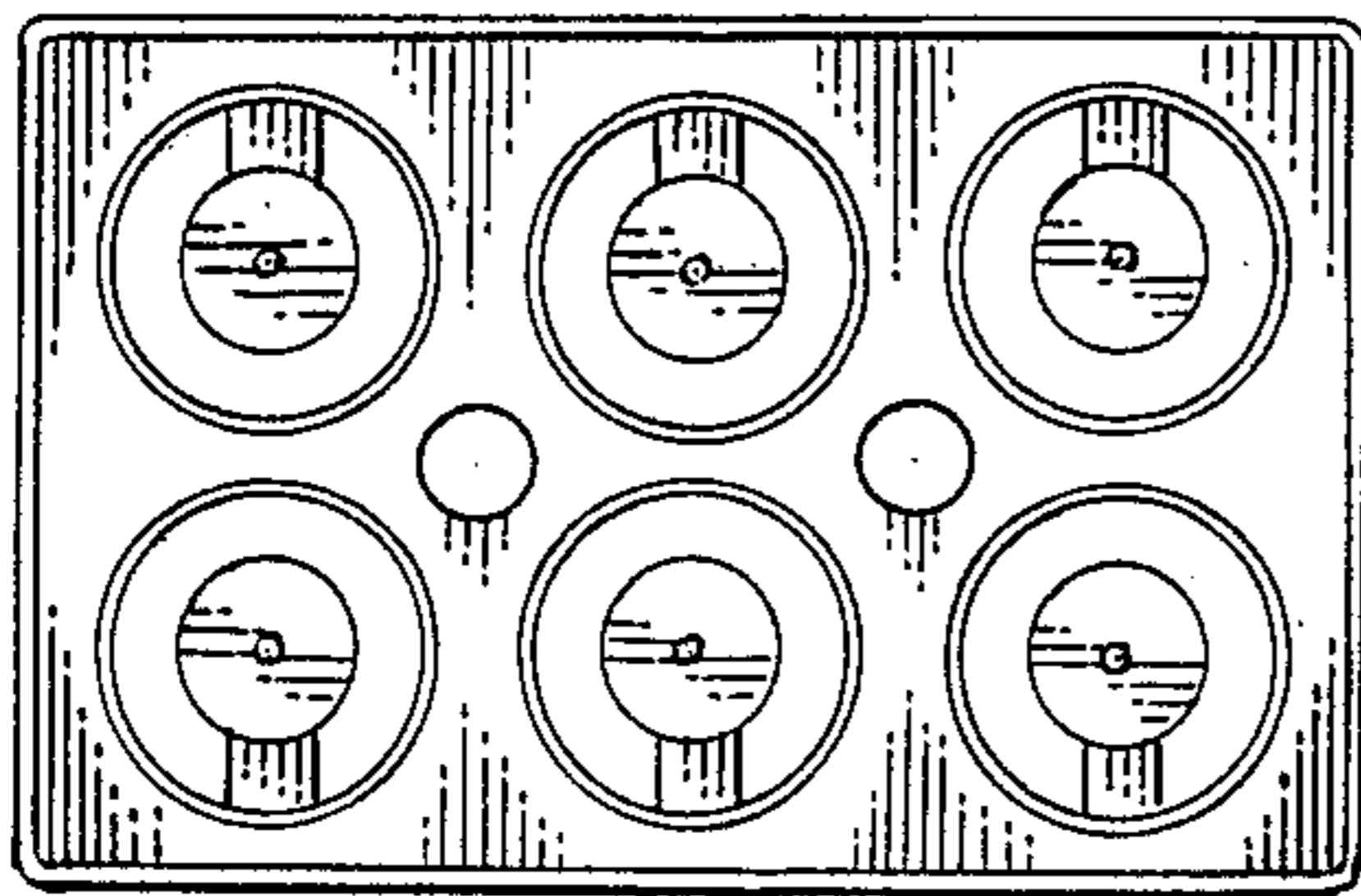
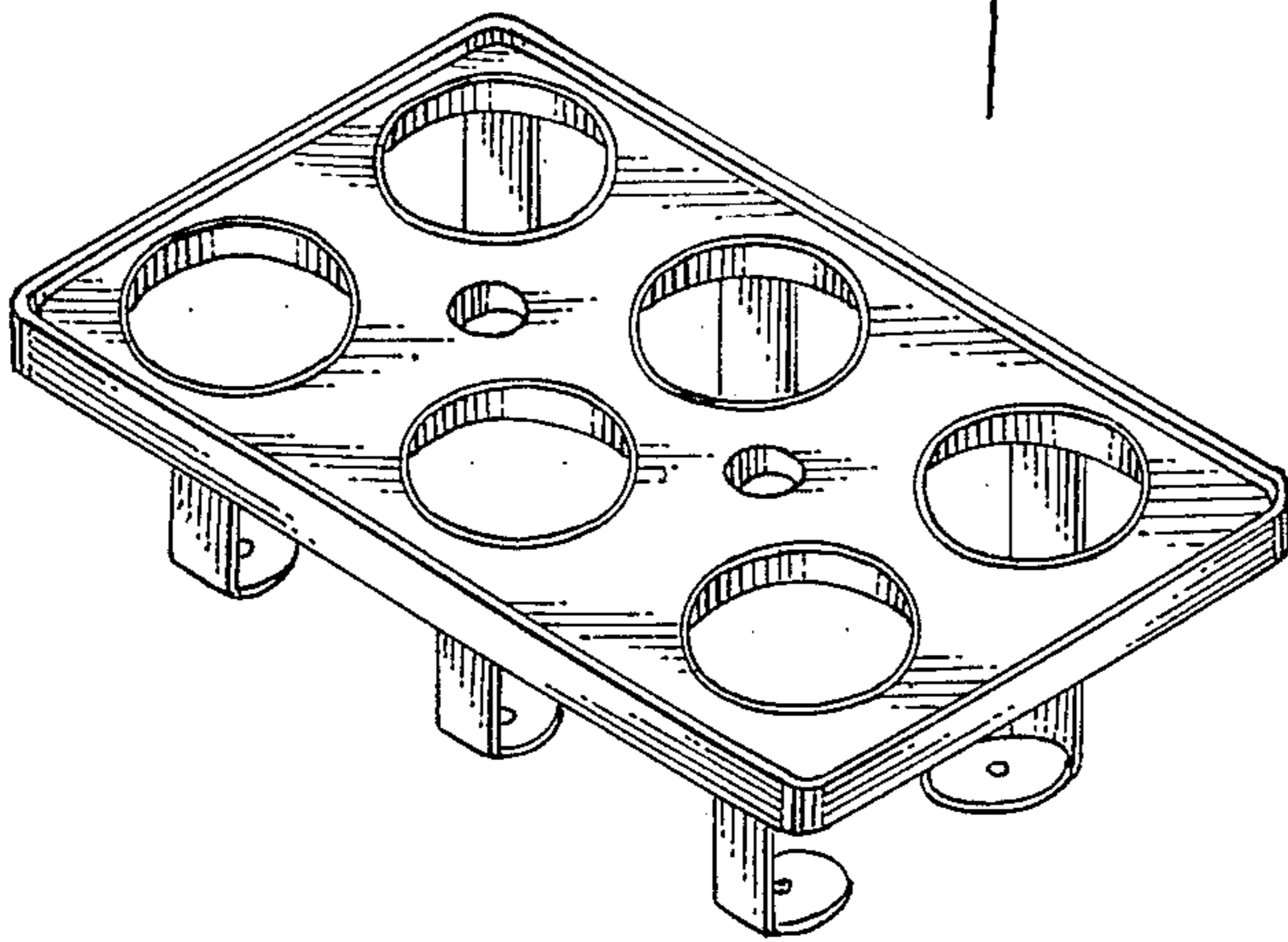


FIG. 2.

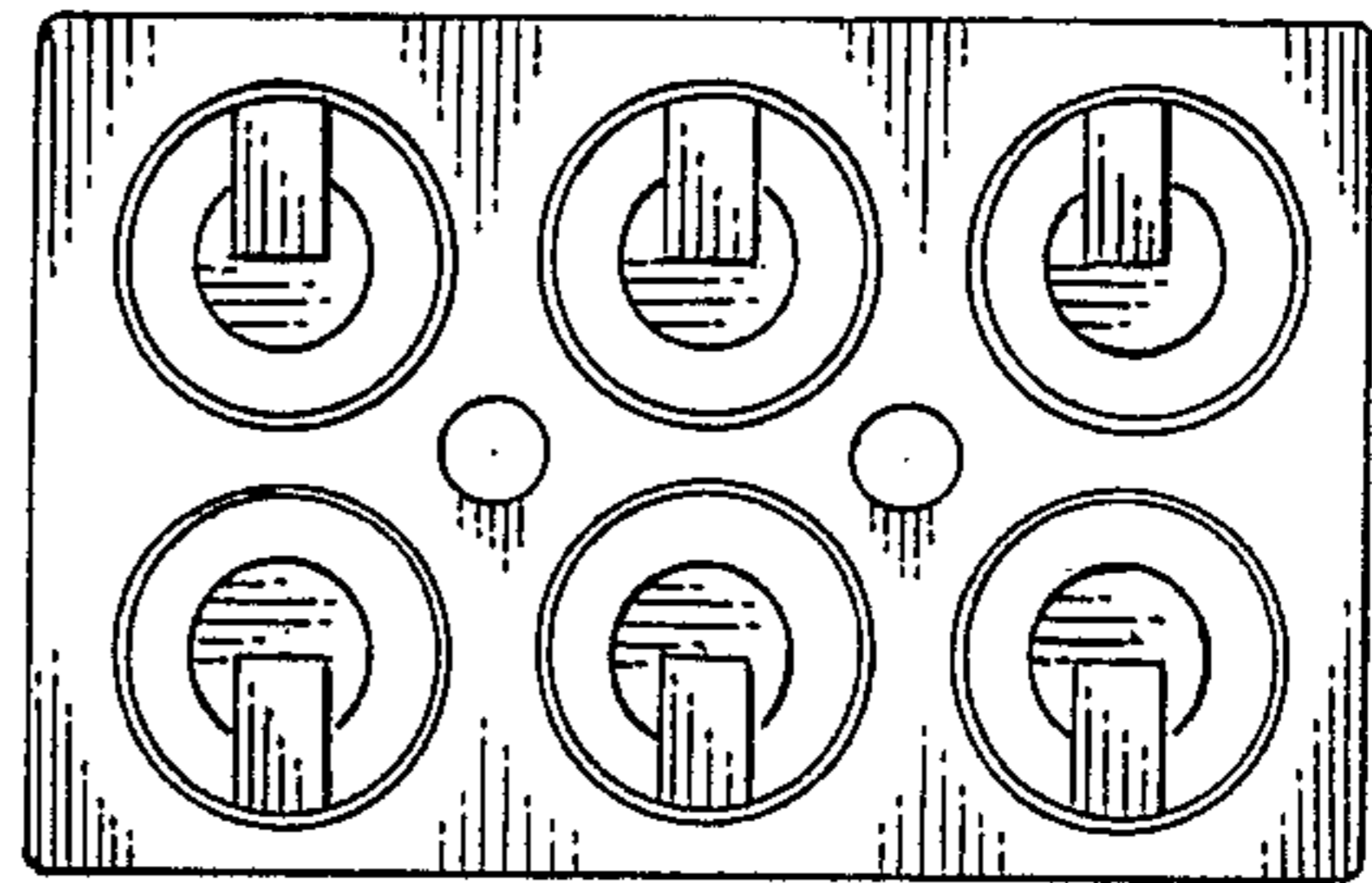


FIG. 3.

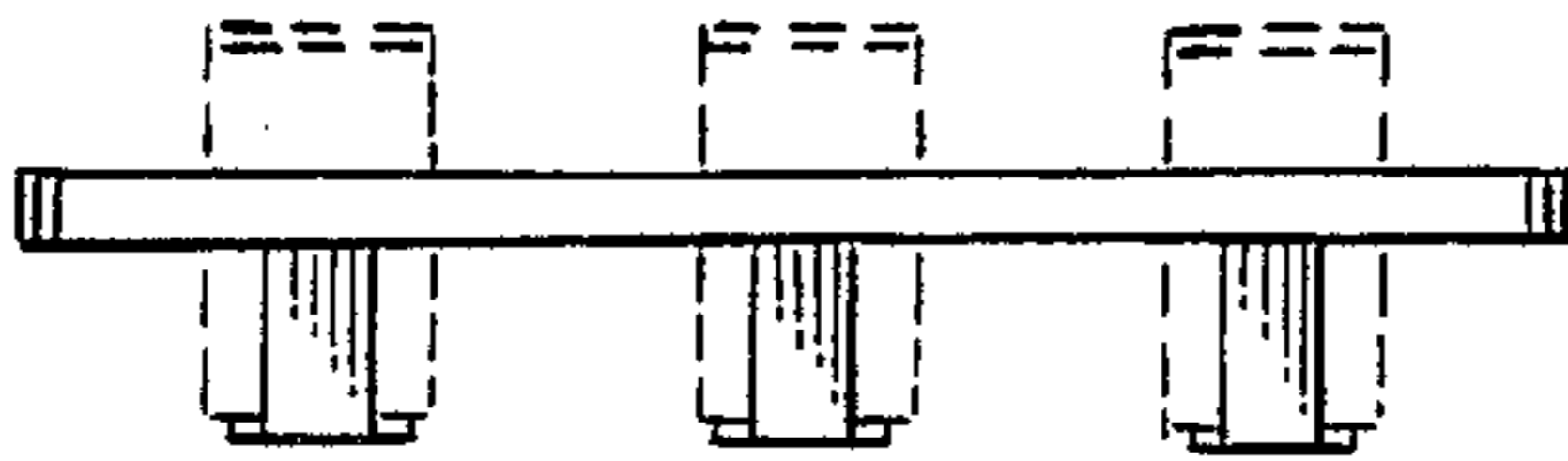


FIG. 4.

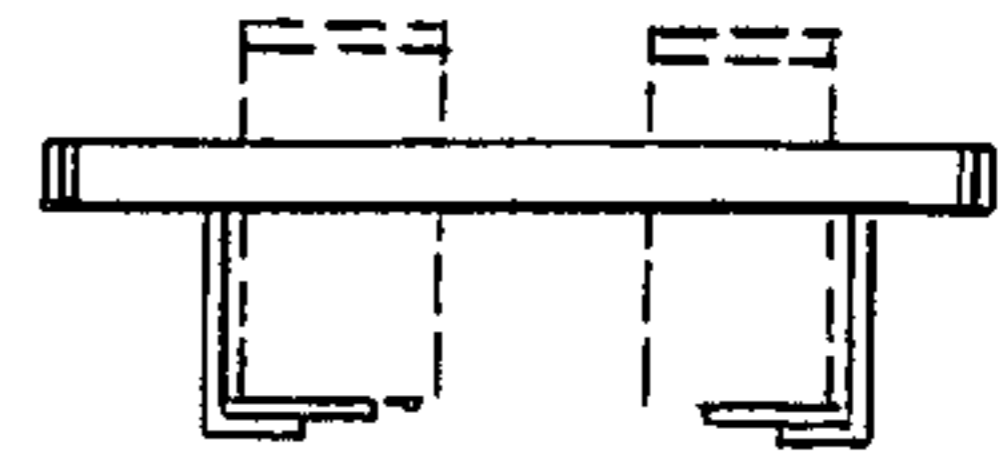


FIG. 5.