

[54] **TAILGATER PORTABLE KITCHEN**

[76] **Inventor: Vicki A. Orton, 630 S. 170 West, Springville, Utah 84663**

[**] **Term: 14 Years**

[21] **Appl. No.: 89,621**

[22] **Filed: Aug. 26, 1987**

[52] **U.S. Cl. D7/605**

[58] **Field of Search D7/76, 77; 220/412; 62/457.1, 457.7, 371; 206/545, 541; 190/12 R; D15/83**

[56] **References Cited**

U.S. PATENT DOCUMENTS

1,924,494 8/1933 Gelinis D7/77 X

OTHER PUBLICATIONS

Restaurants & Institutions, 5/15/81, p. 12, Meal Carriers.

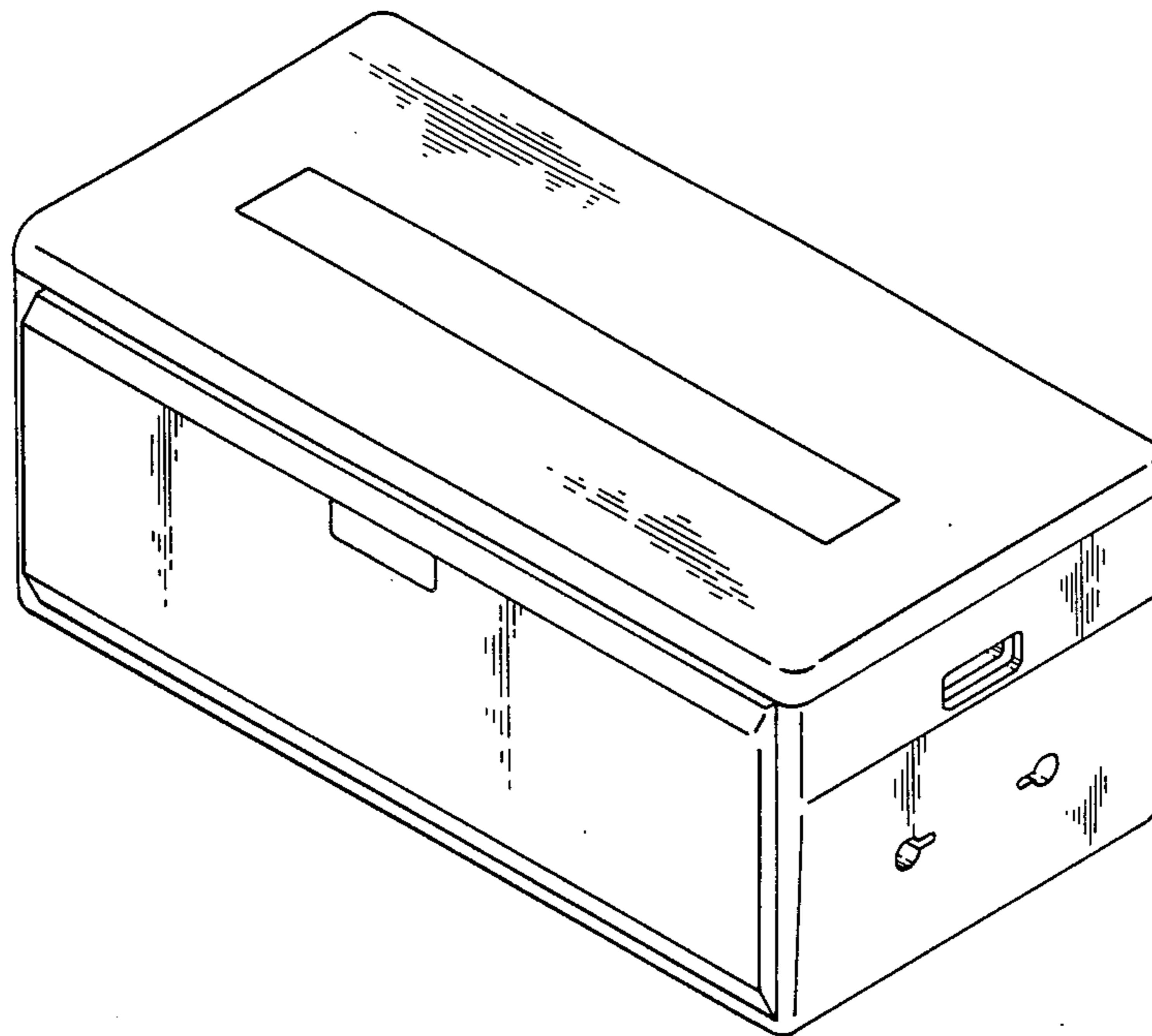
Primary Examiner—Bernard Ansher
Assistant Examiner—Terry A. Pfeffer
Attorney, Agent, or Firm—L. Arnold Thaxton

[57] **CLAIM**

The ornamental design for a tailgater portable kitchen, as shown and described.

DESCRIPTION

FIG. 1 is a perspective view of a tailgater portable kitchen showing my design;
FIG. 2 is a right side elevational view thereof;
FIG. 3 is a left side elevational view thereof;
FIG. 4 is a rear elevational view thereof;
FIG. 5 is a bottom plan view thereof;
FIG. 6 is a perspective view thereof, with the door in an open position; and
FIG. 7 is a front elevational view of FIG. 6.



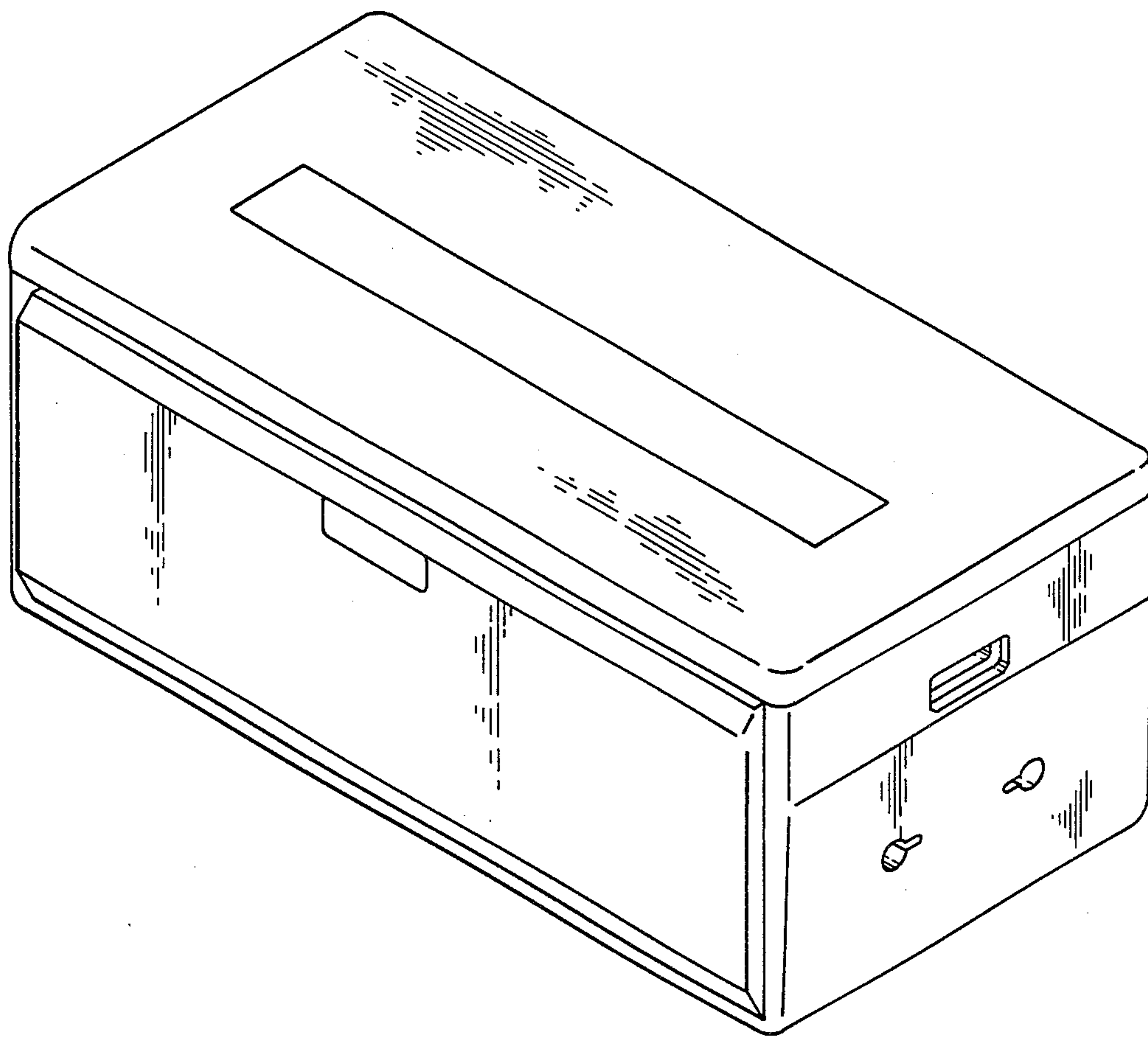


Fig. 1

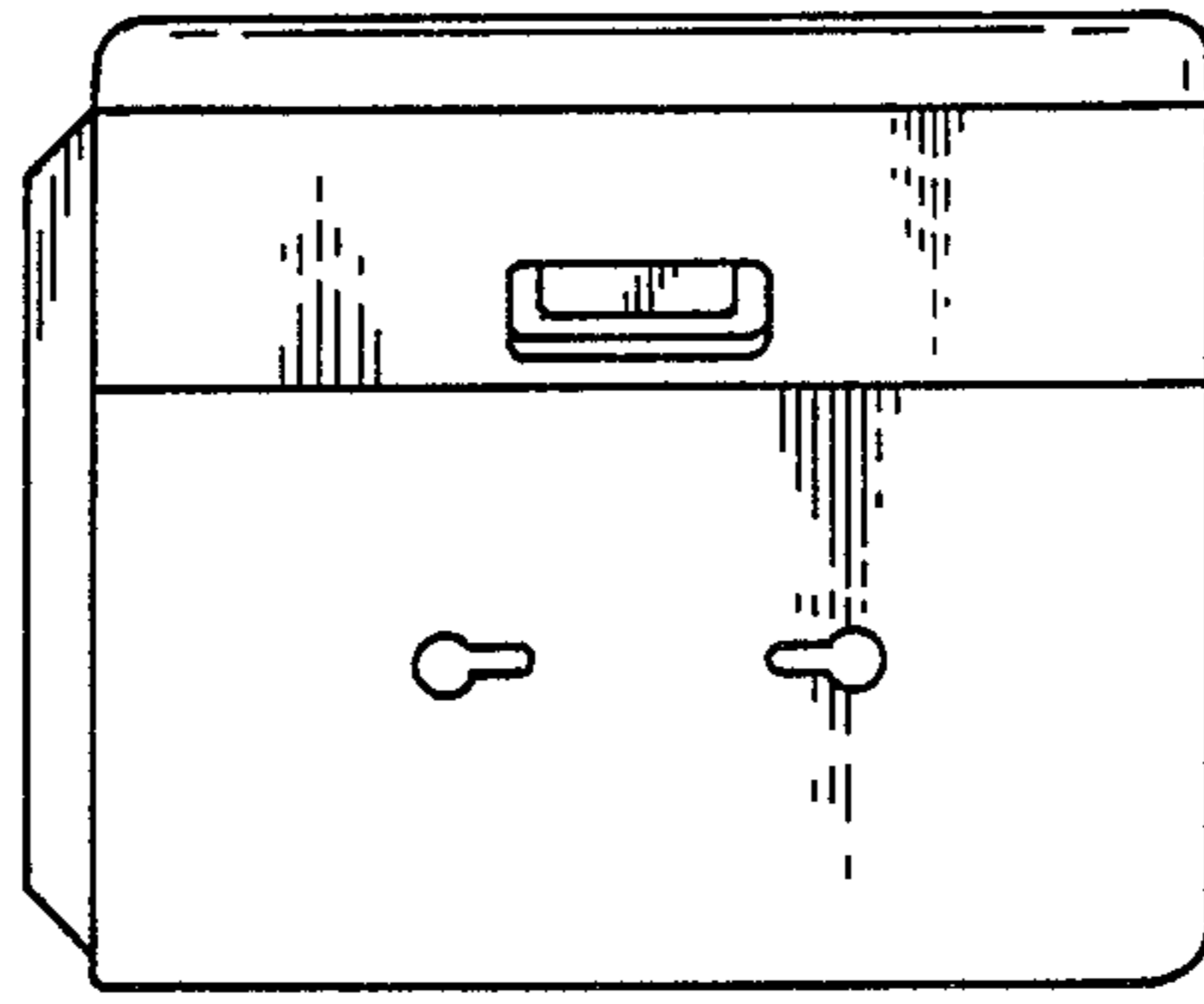


Fig. 2

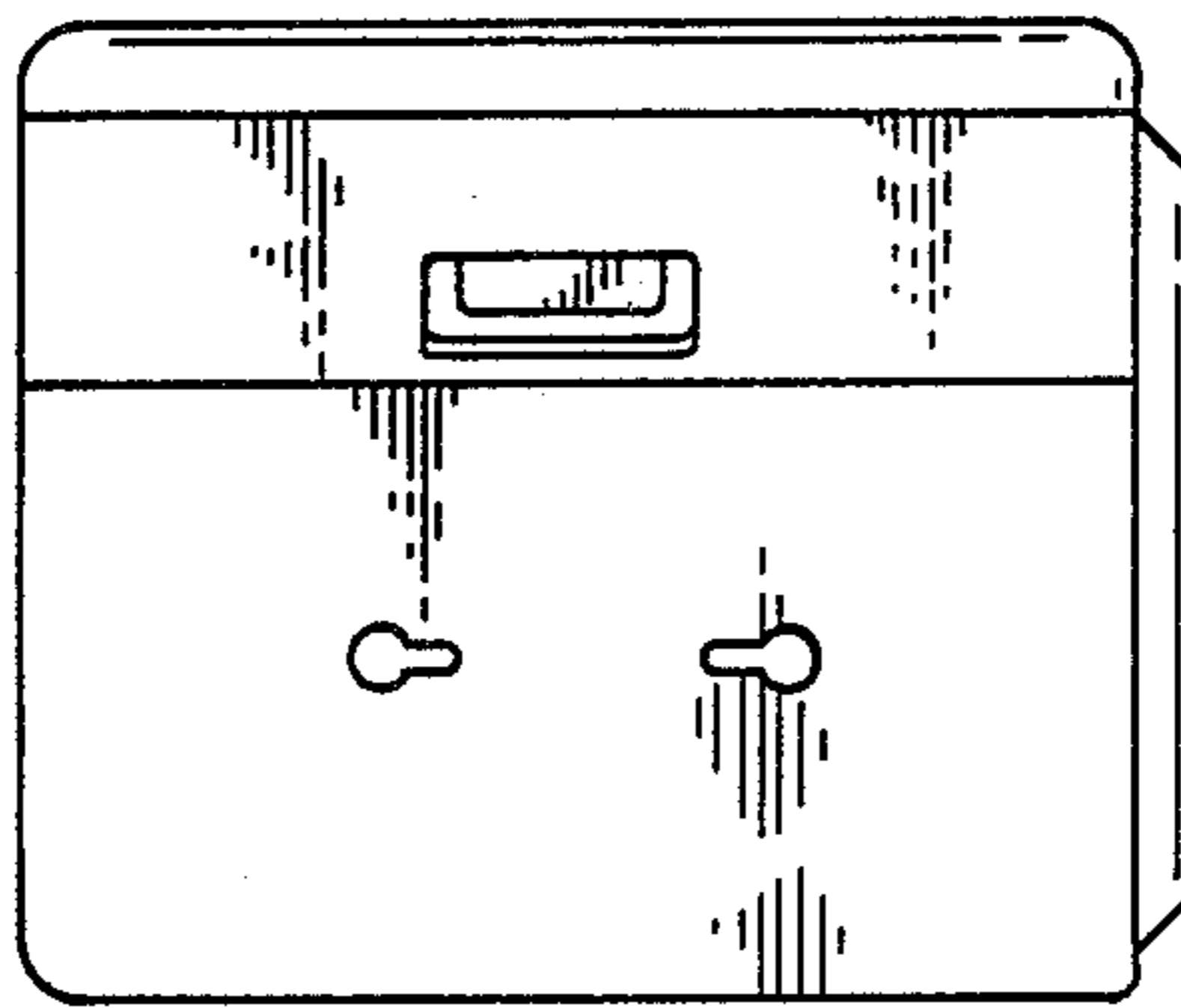


Fig. 3

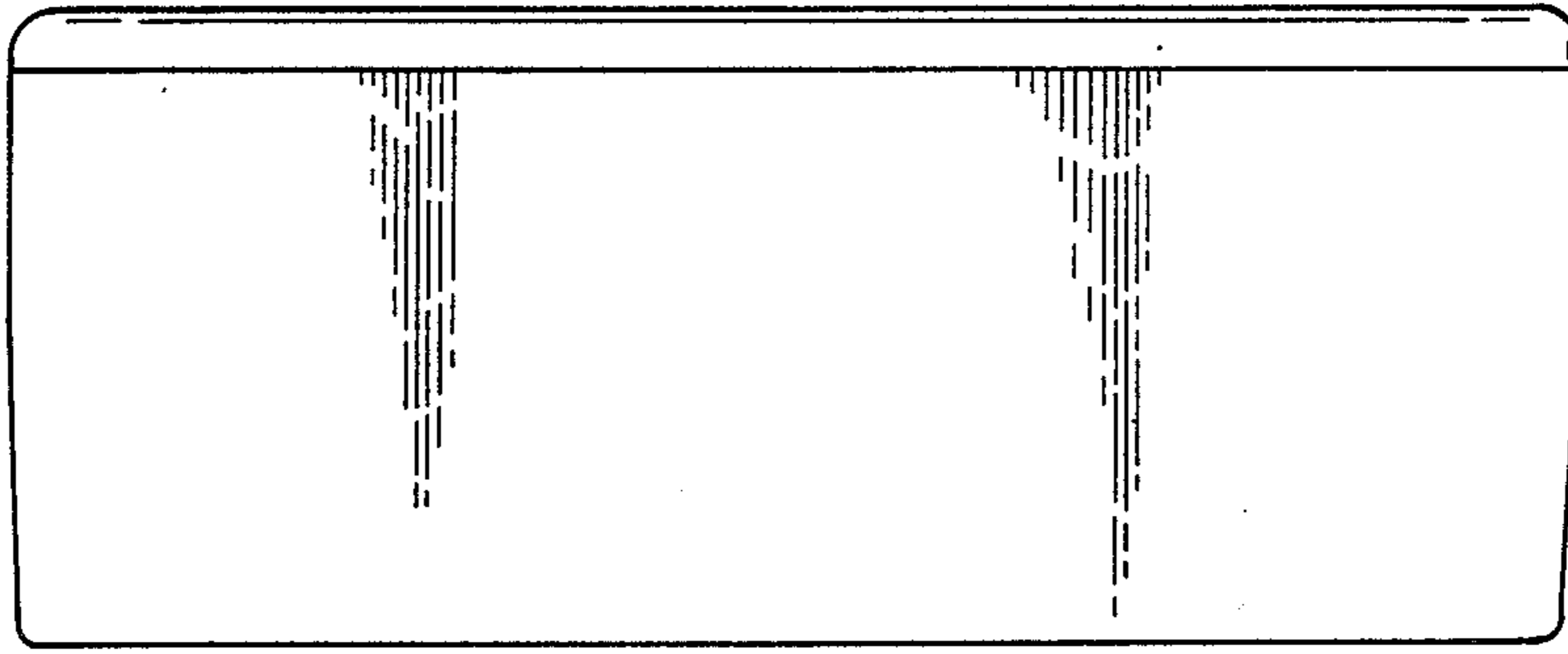


Fig. 4

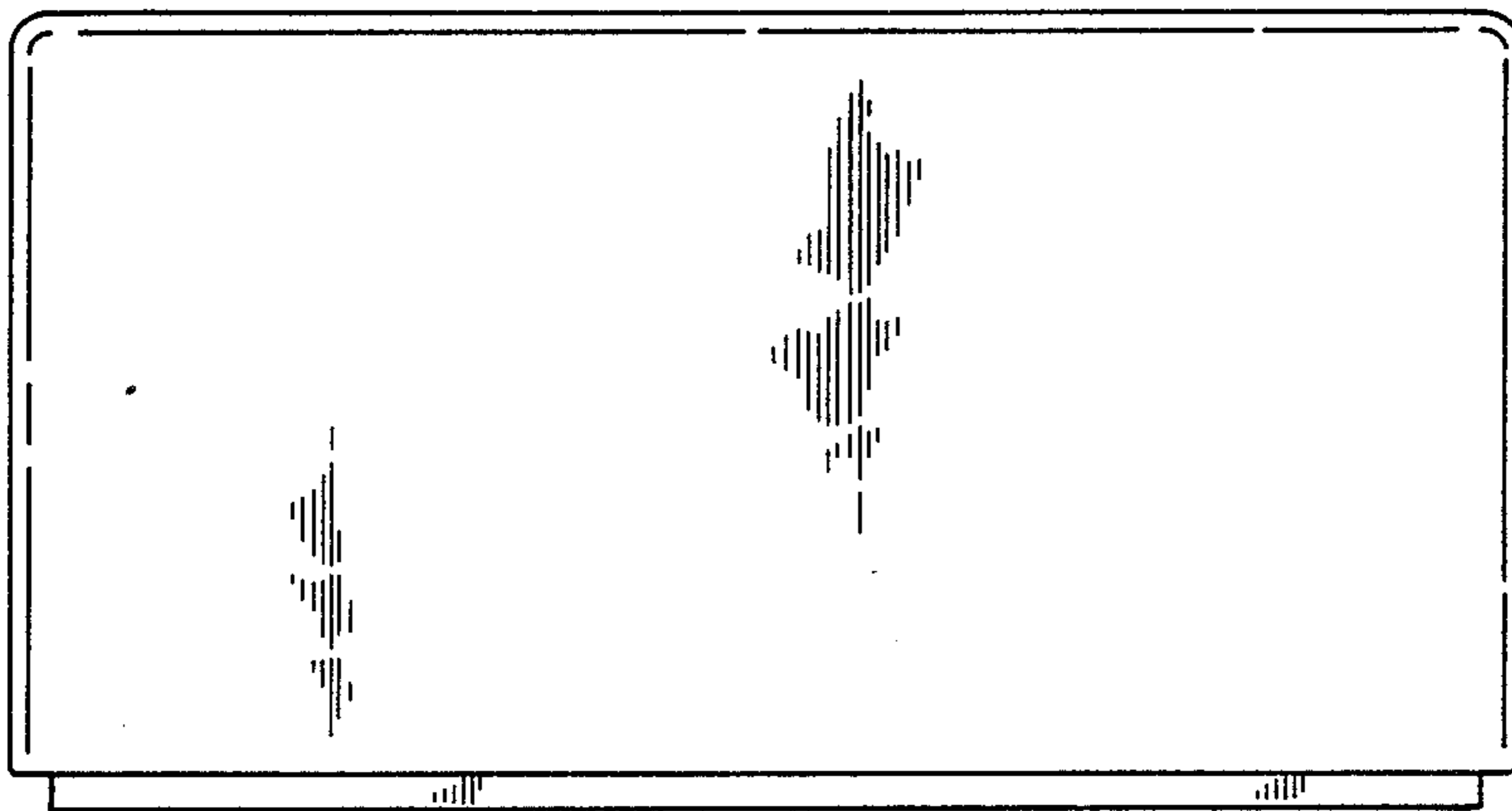


Fig. 5

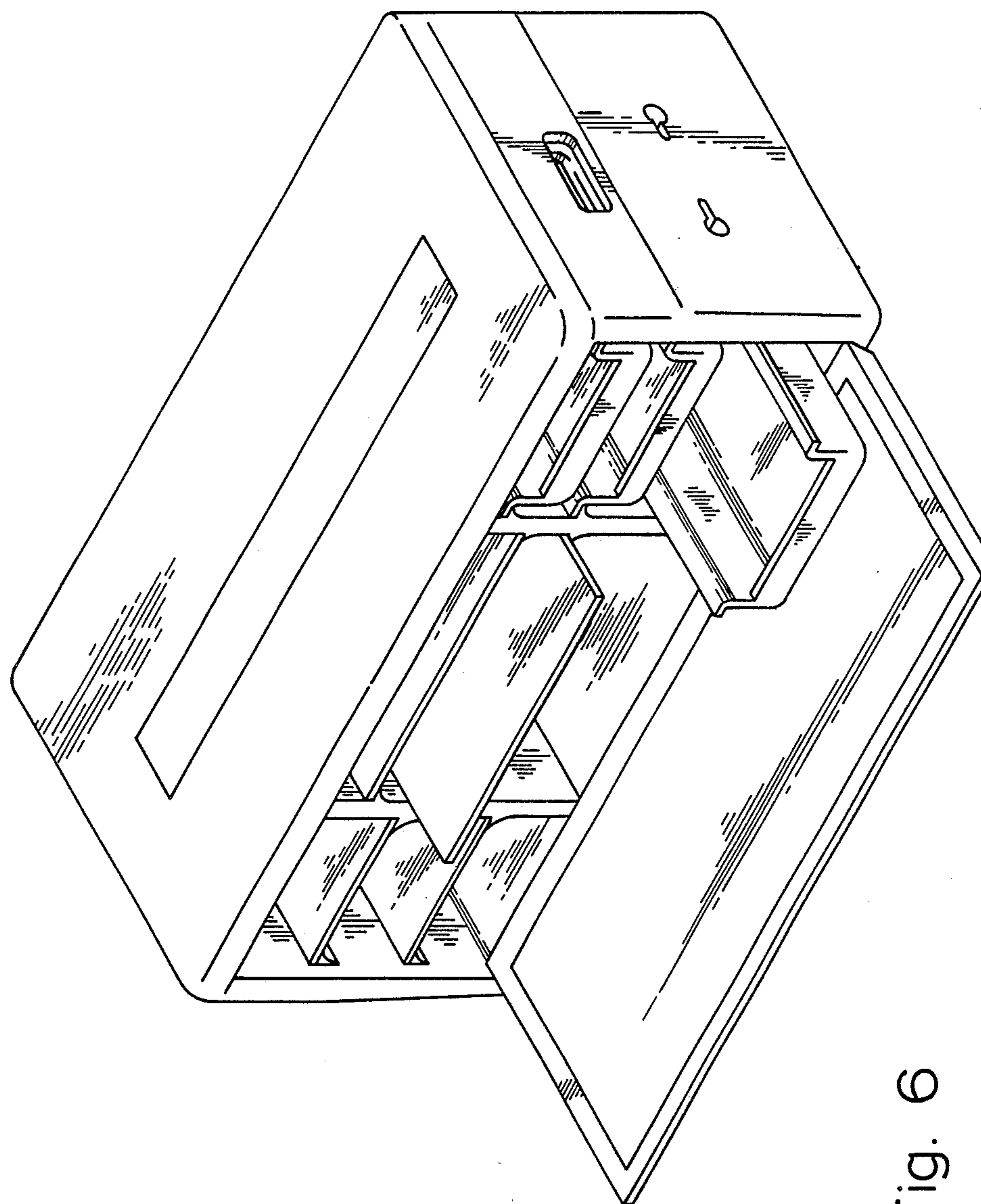


Fig. 6