

[54] SUPPORT STAND FOR USE IN BAKING POTATOES

[75] Inventors: William D. Hiscott, Chicago, Ill.; Ina Witlin, North Miami Beach, Fla.; Theodore J. Hasler; Andrew T. Jastrzebski, both of Chicago, Ill.

[73] Assignee: Ekco Housewares, Inc., Franklin park, Ill.

[**] Term: 14 Years

[21] Appl. No.: 46,306

[22] Filed: May 5, 1987

[52] U.S. Cl. D7/409

[58] Field of Search D7/354, 409, 388; 219/10.55 E; 99/419, DIG. 14

[56] References Cited
U.S. PATENT DOCUMENTS

D. 268,075 3/1983 Pomeroy, Jr. D7/388 X

OTHER PUBLICATIONS

Nupac Ad, Bacon Maker, left center.

Primary Examiner—Bruce W. Dunkins

Assistant Examiner—Janice Seeger

Attorney, Agent, or Firm—Robert D. Teichert

[57] CLAIM

The ornamental design for support stand for use in baking potatoes, as shown.

DESCRIPTION

FIG. 1 is a top plan view of a support stand for use in baking potatoes showing our new design;

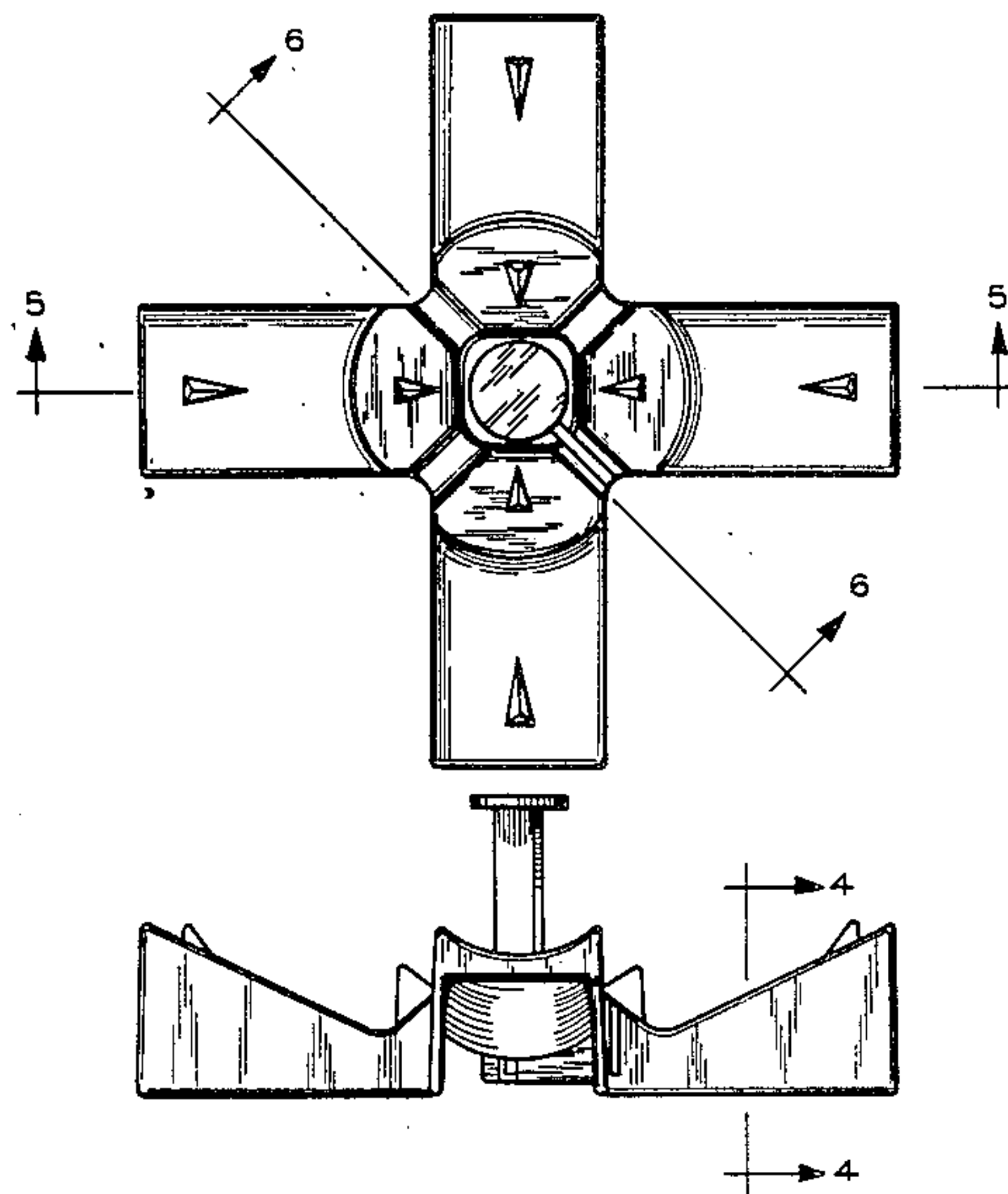
FIG. 2 is a side elevational view thereof;

FIG. 3 is a bottom plan view thereof;

FIG. 4 is a sectional view taken along line 4—4 of FIG. 2;

FIG. 5 is a sectional view taken along line 5—5 of FIG. 1; and

FIG. 6 is a sectional view taken along line 6—6 of FIG. 1.



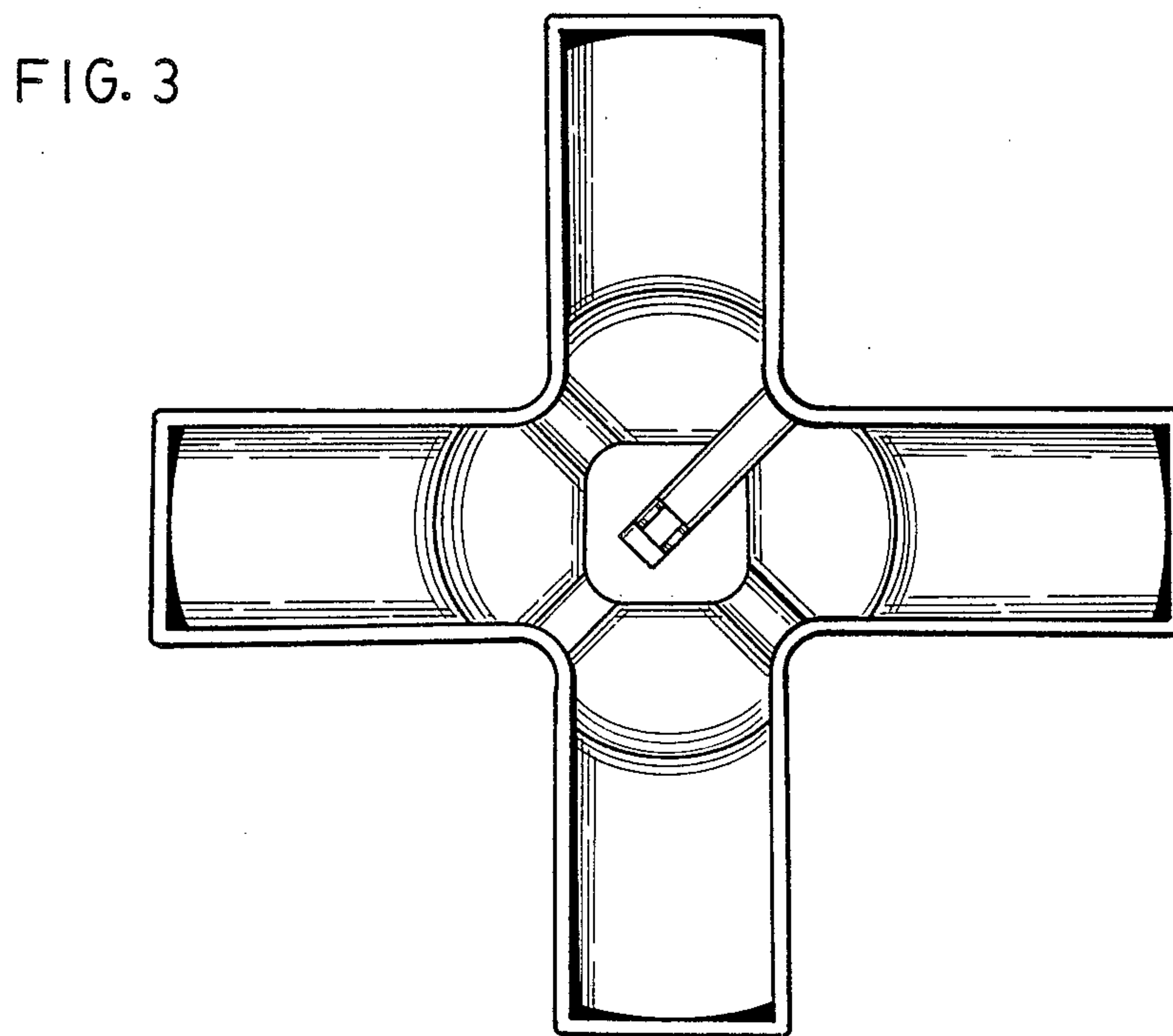
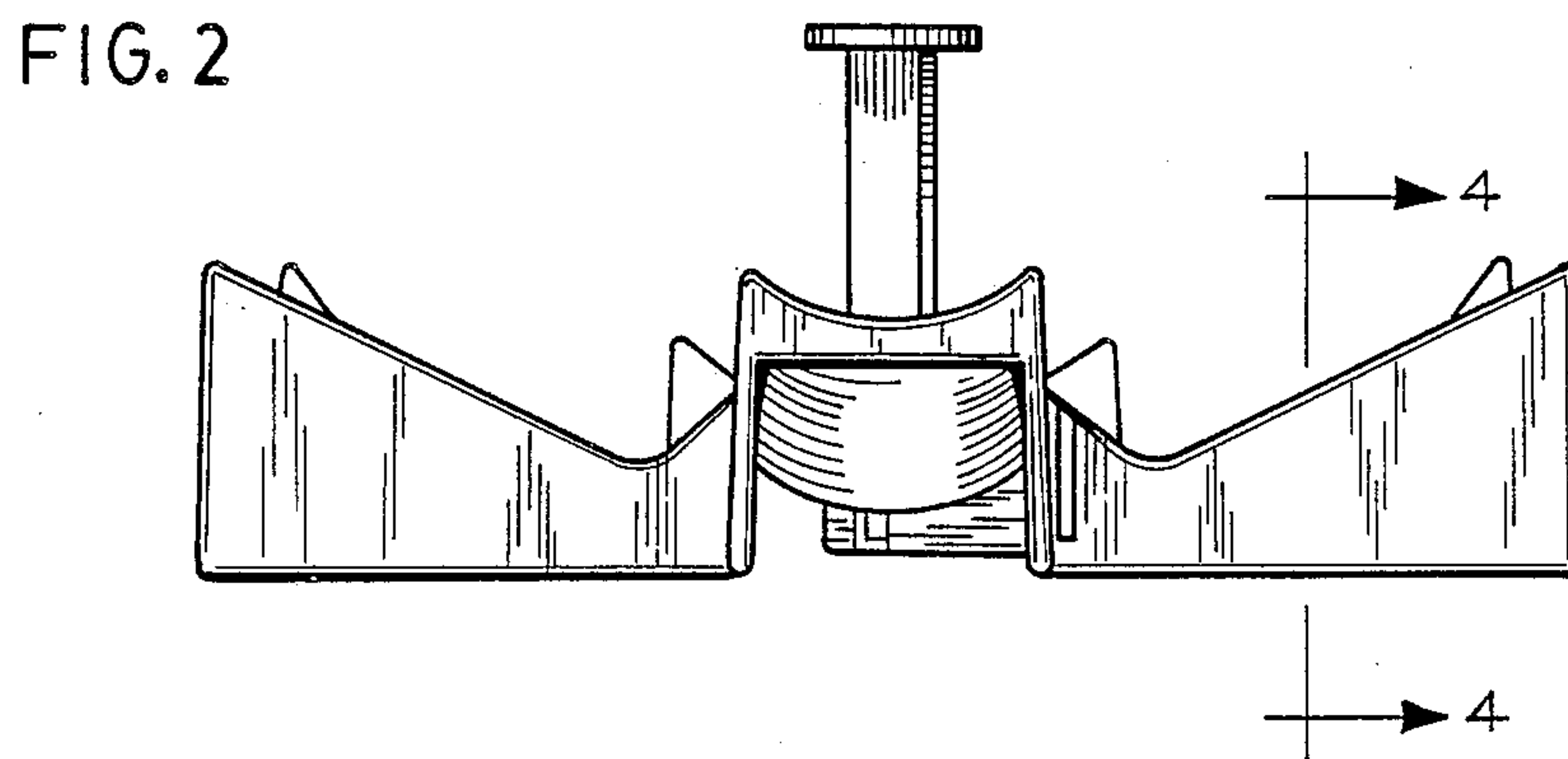
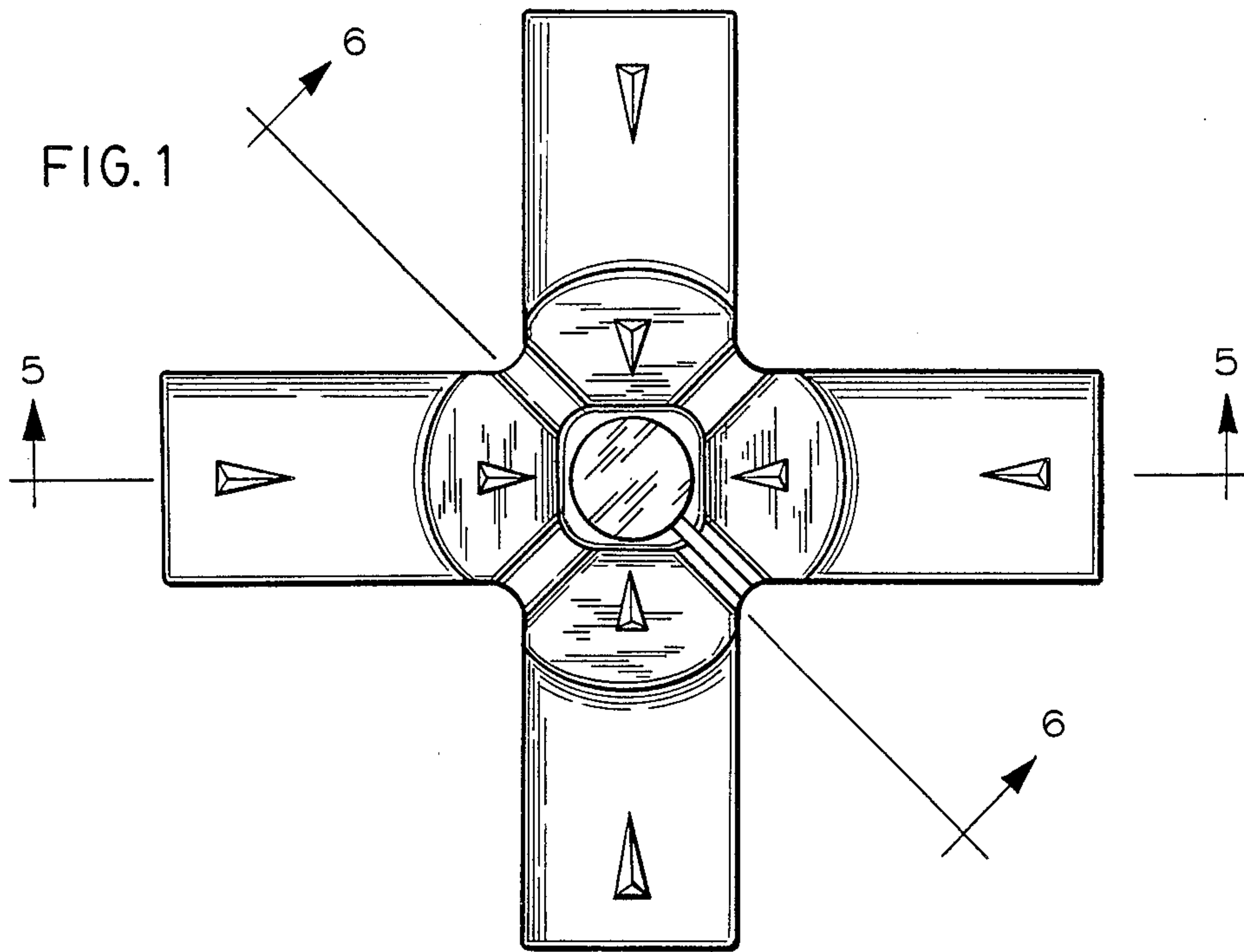


FIG. 4

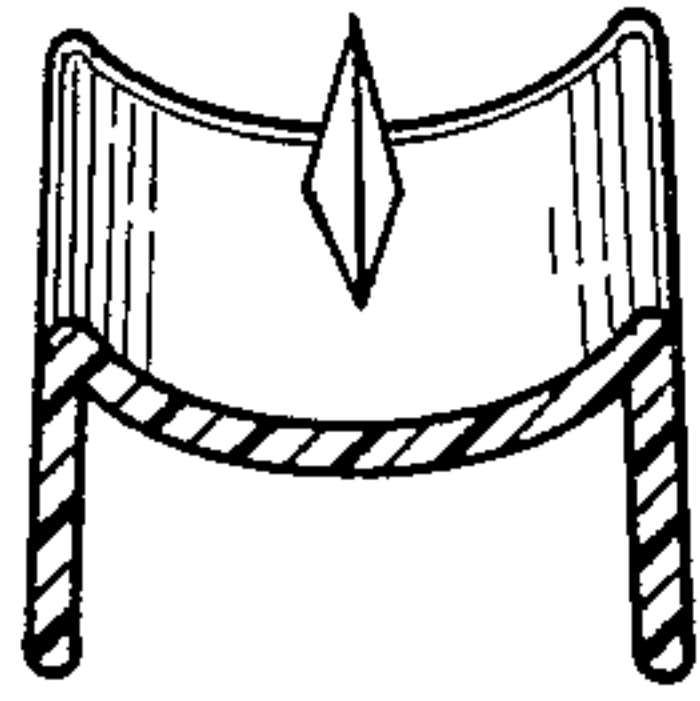


FIG. 5

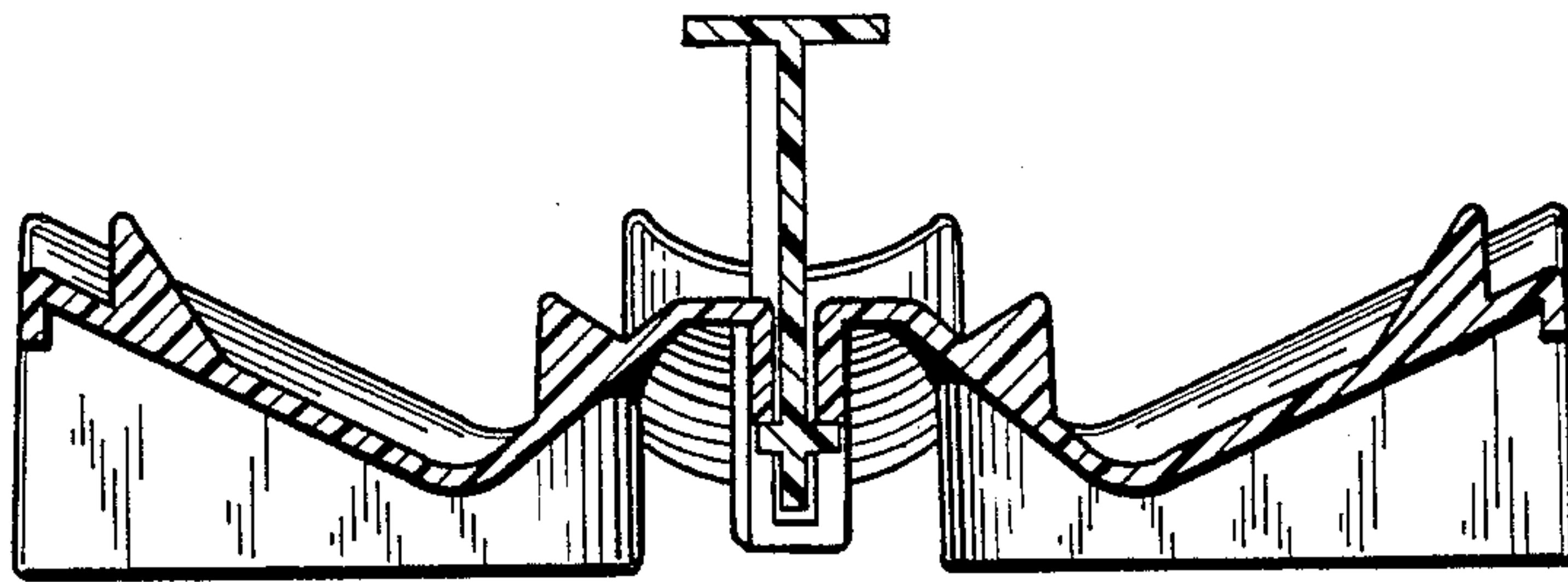


FIG. 6

