

[54] **TEA KETTLE**

[75] **Inventor: Milo Hess, Forest Hills, N.Y.**

[73] **Assignee: M. Kamenstein, Inc., White Plains, N.Y.**

[\*\*] **Term: 14 Years**

[21] **Appl. No.: 463,960**

[22] **Filed: Jan. 10, 1990**

[52] **U.S. Cl. .... D7/302; D7/321**

[58] **Field of Search ..... D7/305, 300, 312, 320-322, D7/397, 398, 399, 301-303**

[56] **References Cited**

**U.S. PATENT DOCUMENTS**

D. 19,256	8/1889	Jeffords .....	D7/322
D. 62,417	5/1923	Sander .....	D7/322
D. 88,228	11/1932	Guild et al. ....	D7/321
D. 95,621	5/1935	Zettler .	
D. 133,823	9/1942	Schneider .....	D7/312
D. 163,725	6/1951	Welden .....	D7/322
D. 164,413	9/1951	Finch .....	D7/322
D. 166,603	4/1952	Hartman .....	D7/302
D. 178,658	9/1956	Guild et al. ....	D7/321
D. 191,005	8/1961	Jepson .....	D7/322
D. 215,168	9/1969	Beckman .....	D7/318
D. 217,179	4/1970	Rakock .....	D7/318
D. 247,016	1/1978	Breger .....	D7/317
D. 282,436	2/1986	Thurlow .....	D7/322

D. 288,890	3/1987	Lebowitz .....	D7/322
41,095	1/1864	Ripley .....	222/465.1
673,371	4/1901	Thorp .....	D7/302 X
3,218,435	11/1965	Mandziak .....	D7/312 X
3,536,496	10/1970	Paoloni .....	426/397

**OTHER PUBLICATIONS**

*Ceramic World*, Sep. 1984, back cover, Alberta's Molds, Inc.; Cat Mug at bottom left.  
*HFD*, May 2, 1988, p. 135, National Housewares TM /A Towle ® Co., Bird on Spout of top center Kettle.  
*Gifts & Decorative Accessories*, Jan. 1988, p. 226, Whistling Chicken Tea Kettle by Edgar Watkins-National Housewares TM.  
*Hong Kong Enterprise*, vol. 9, 1980, p. 142, "Electric Boiler"-1008 Mark I-Elec. Kettle.

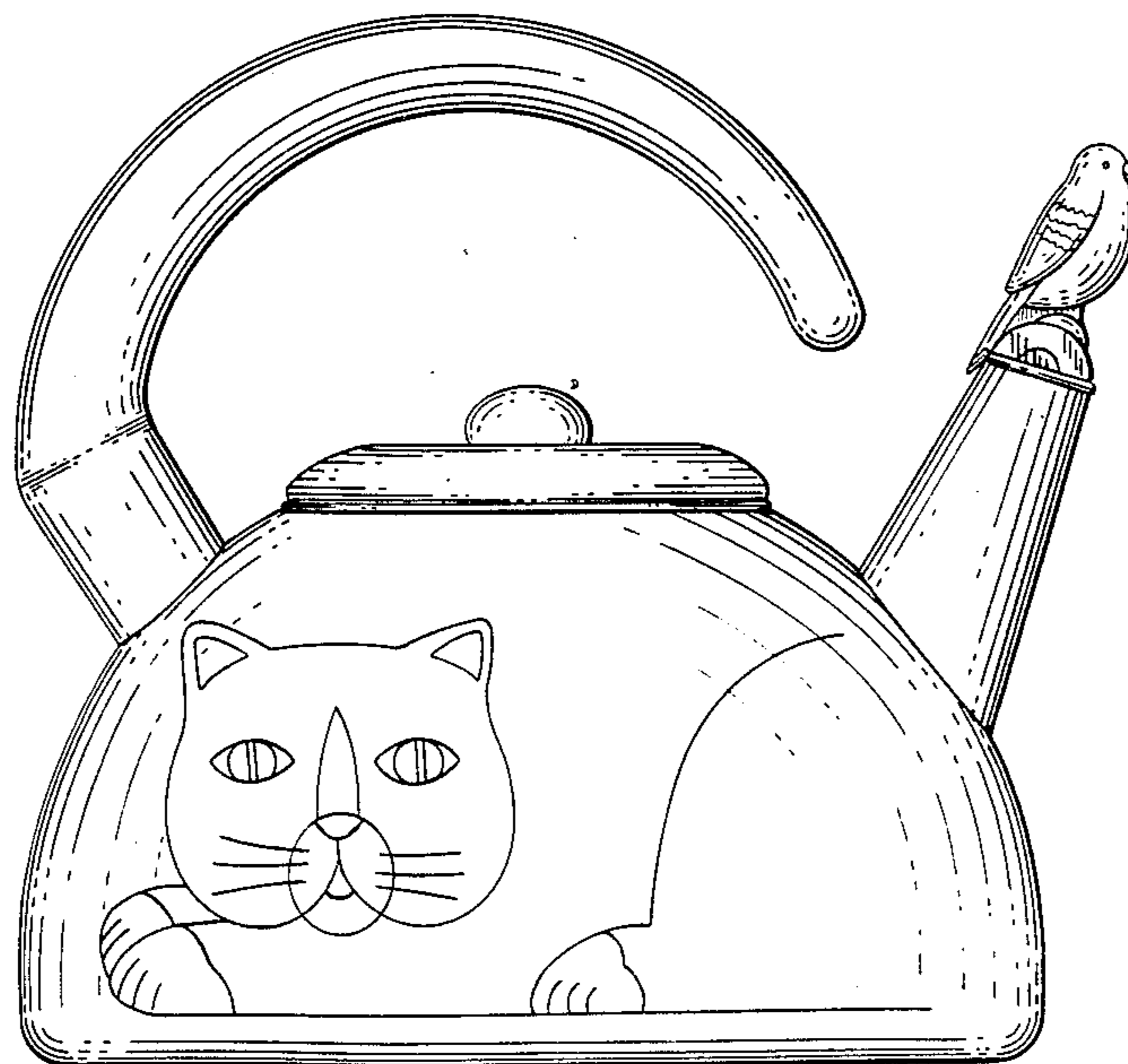
*Primary Examiner*—Winifred E. Herrmann  
*Attorney, Agent, or Firm*—Henry R. Lerner

[57] **CLAIM**

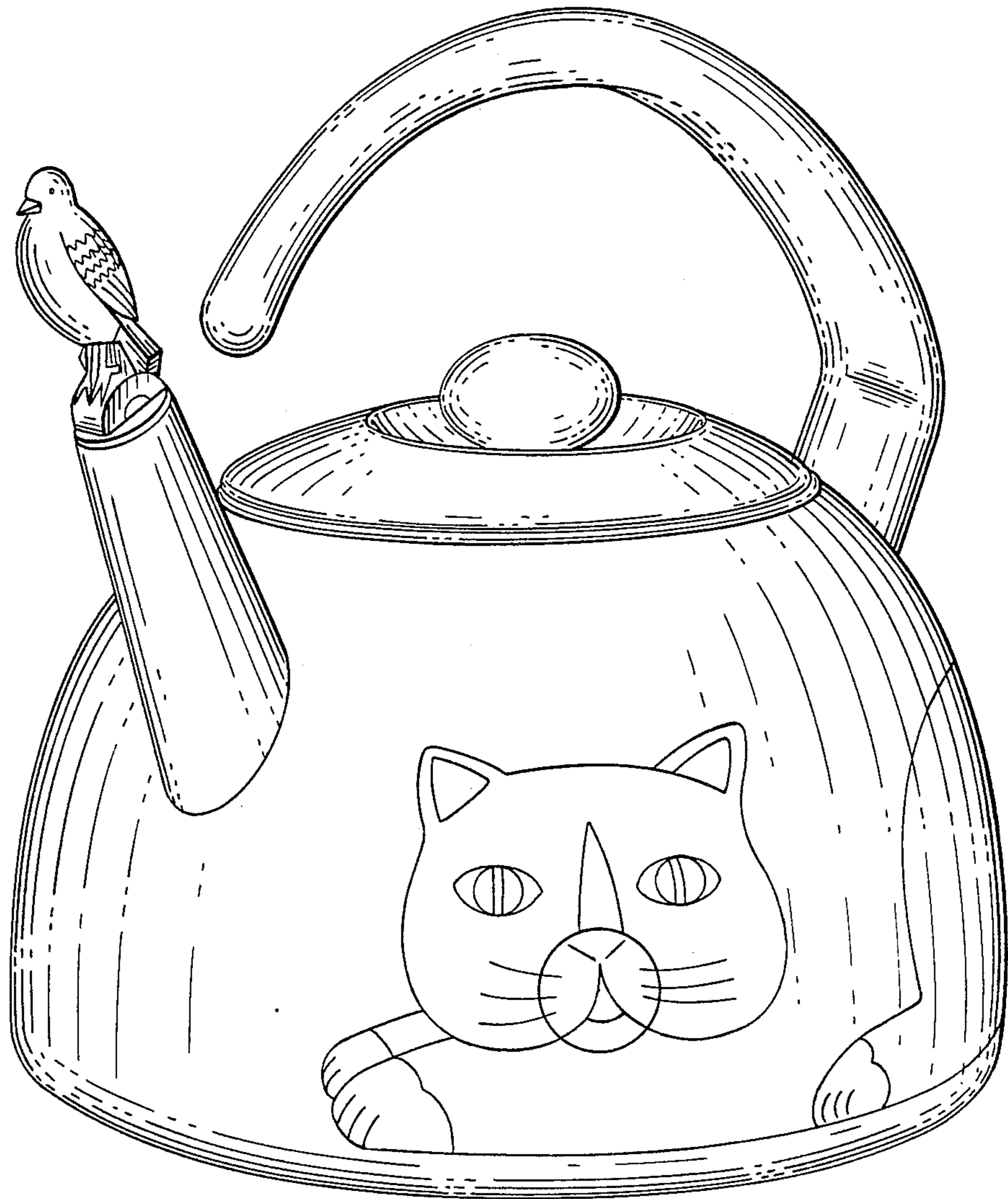
The ornamental design for a tea kettle, as shown.

**DESCRIPTION**

FIG. 1 is a top, front, and right side perspective view of a tea kettle showing my new design;  
 FIG. 2 is a front elevational view thereof;  
 FIG. 3 is a top plan view thereof;  
 FIG. 4 is a left side elevational view thereof;  
 FIG. 5 is a rear elevational view thereof; and  
 FIG. 6 is a bottom plan view thereof.



*FIG. 1*



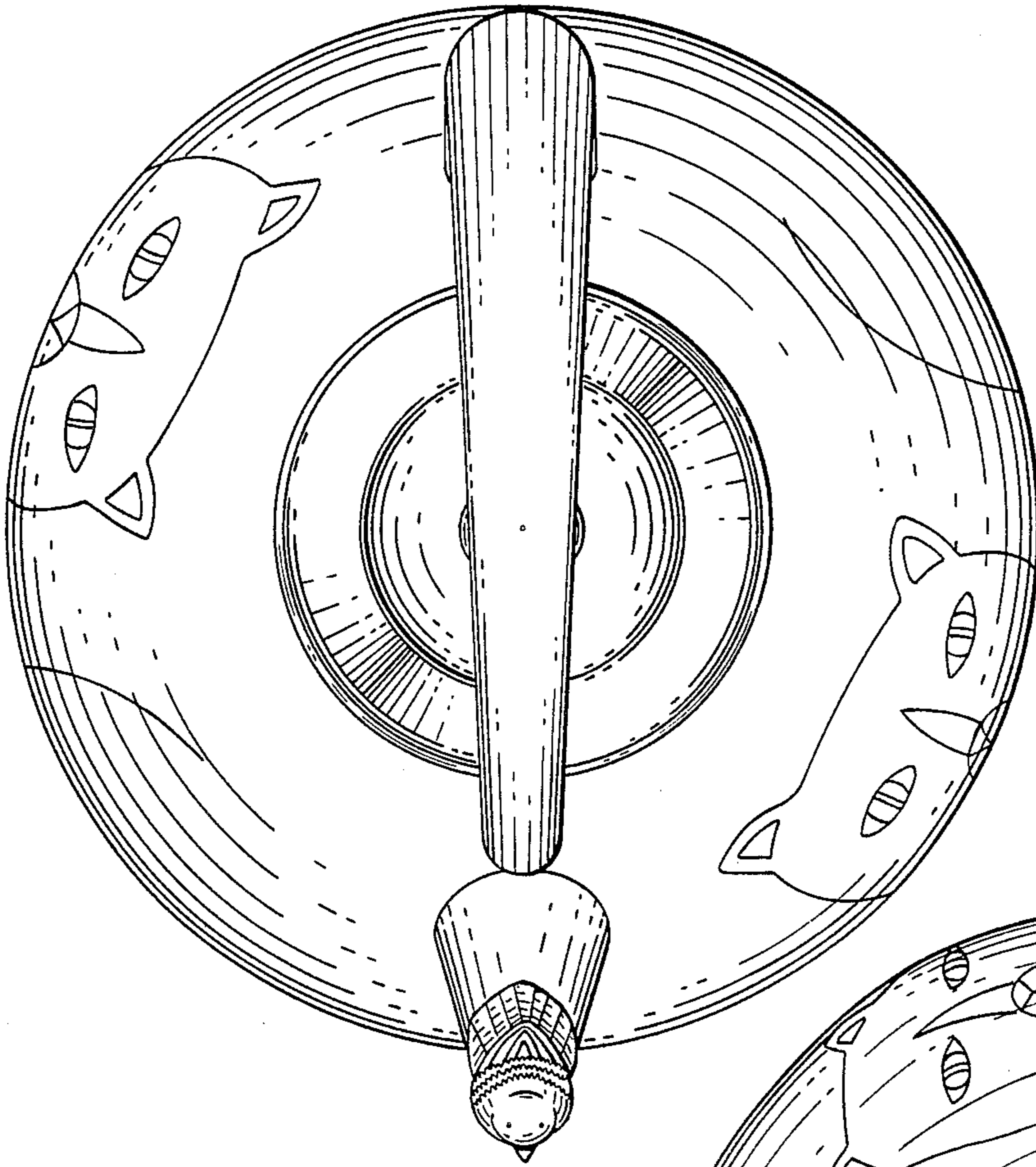


FIG. 3

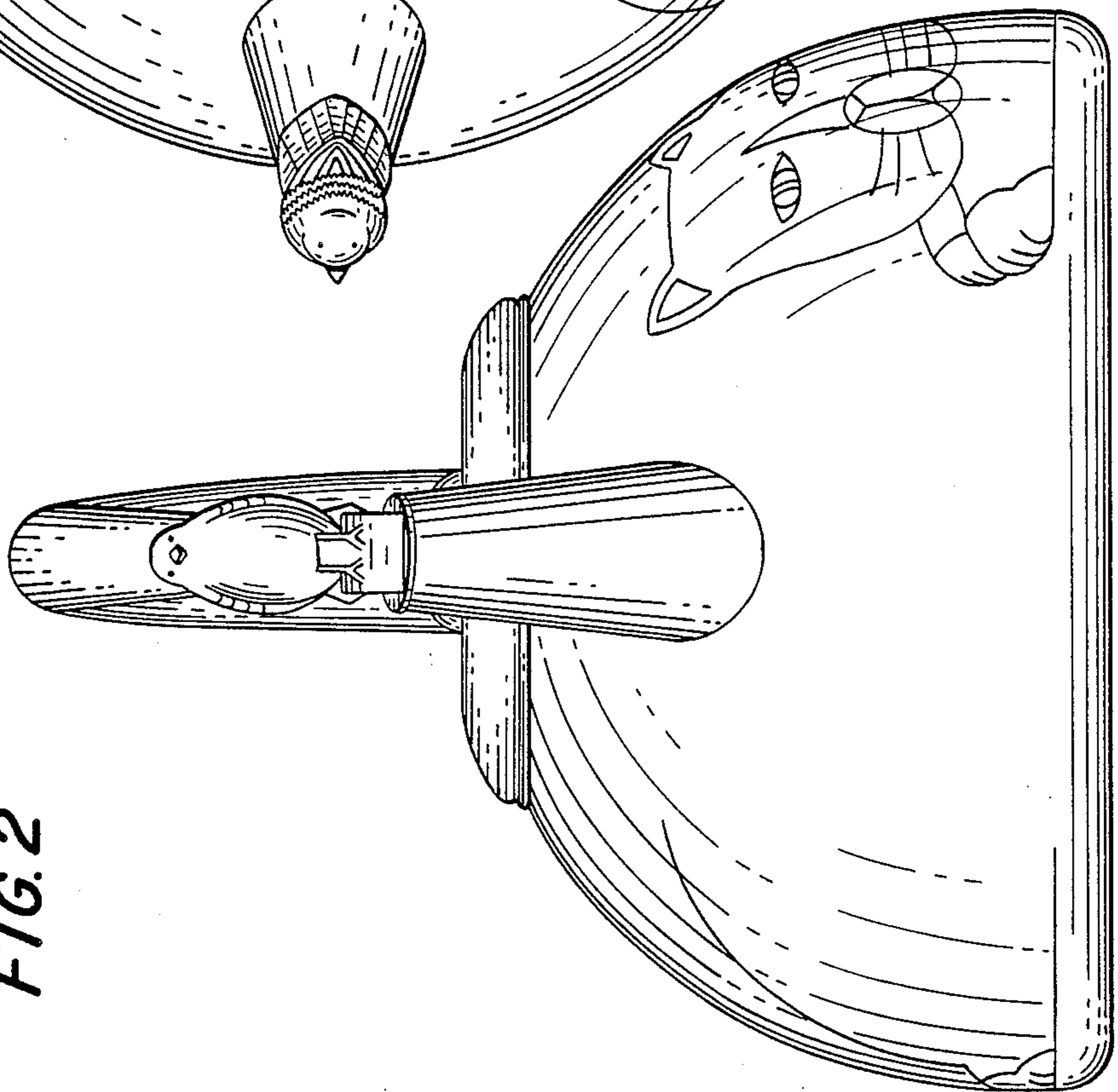


FIG. 2

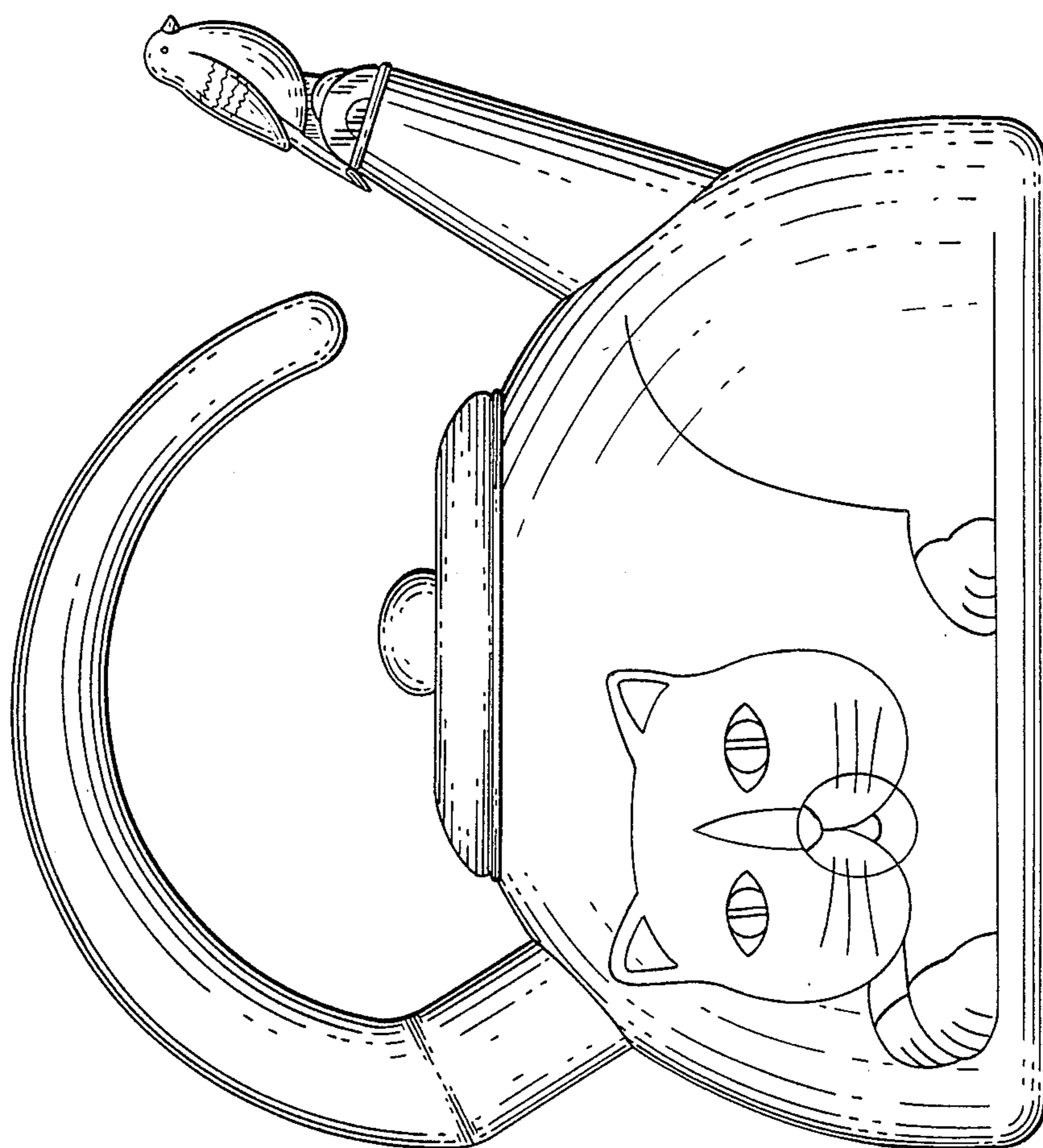


FIG. 4

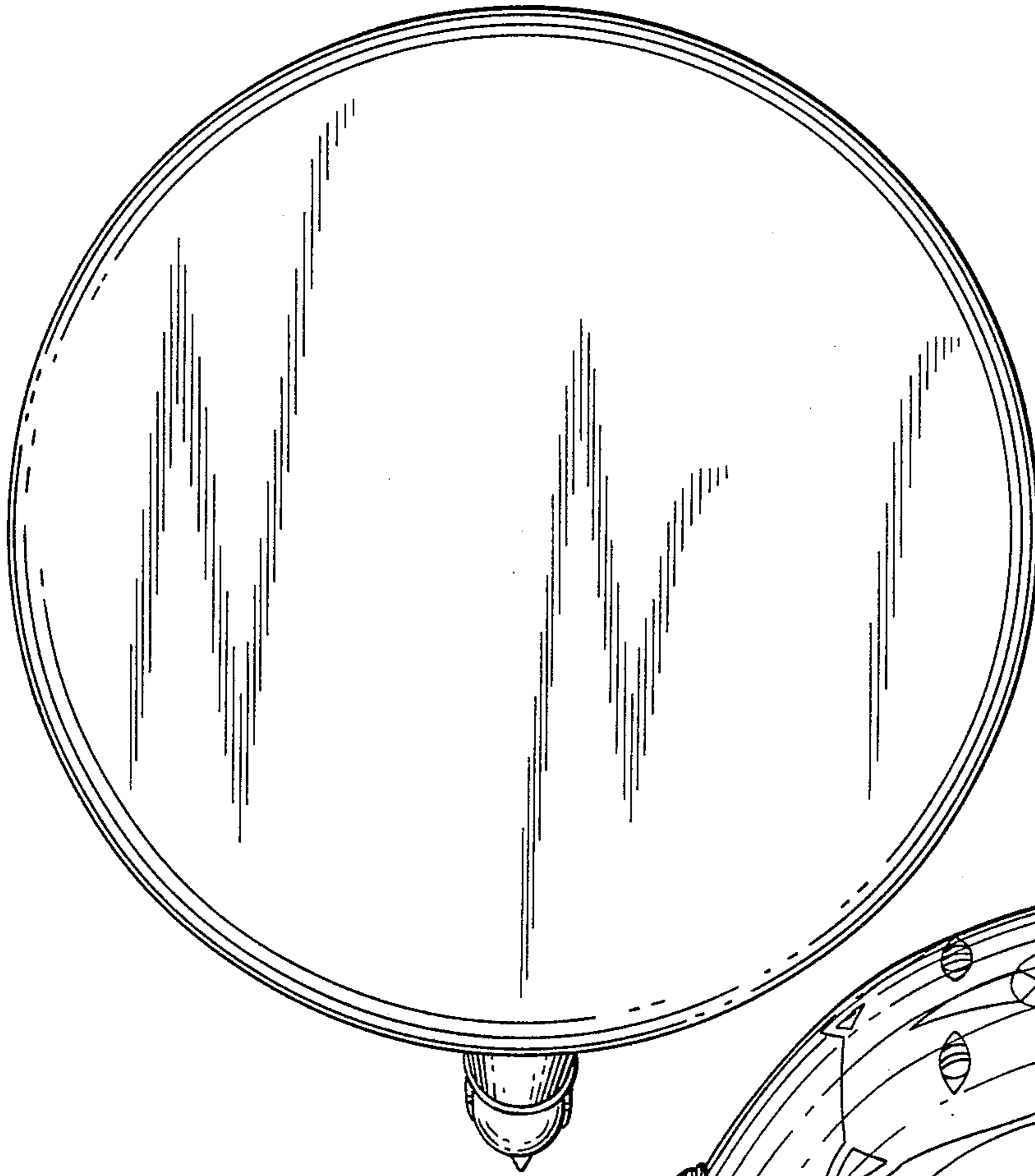


FIG. 6

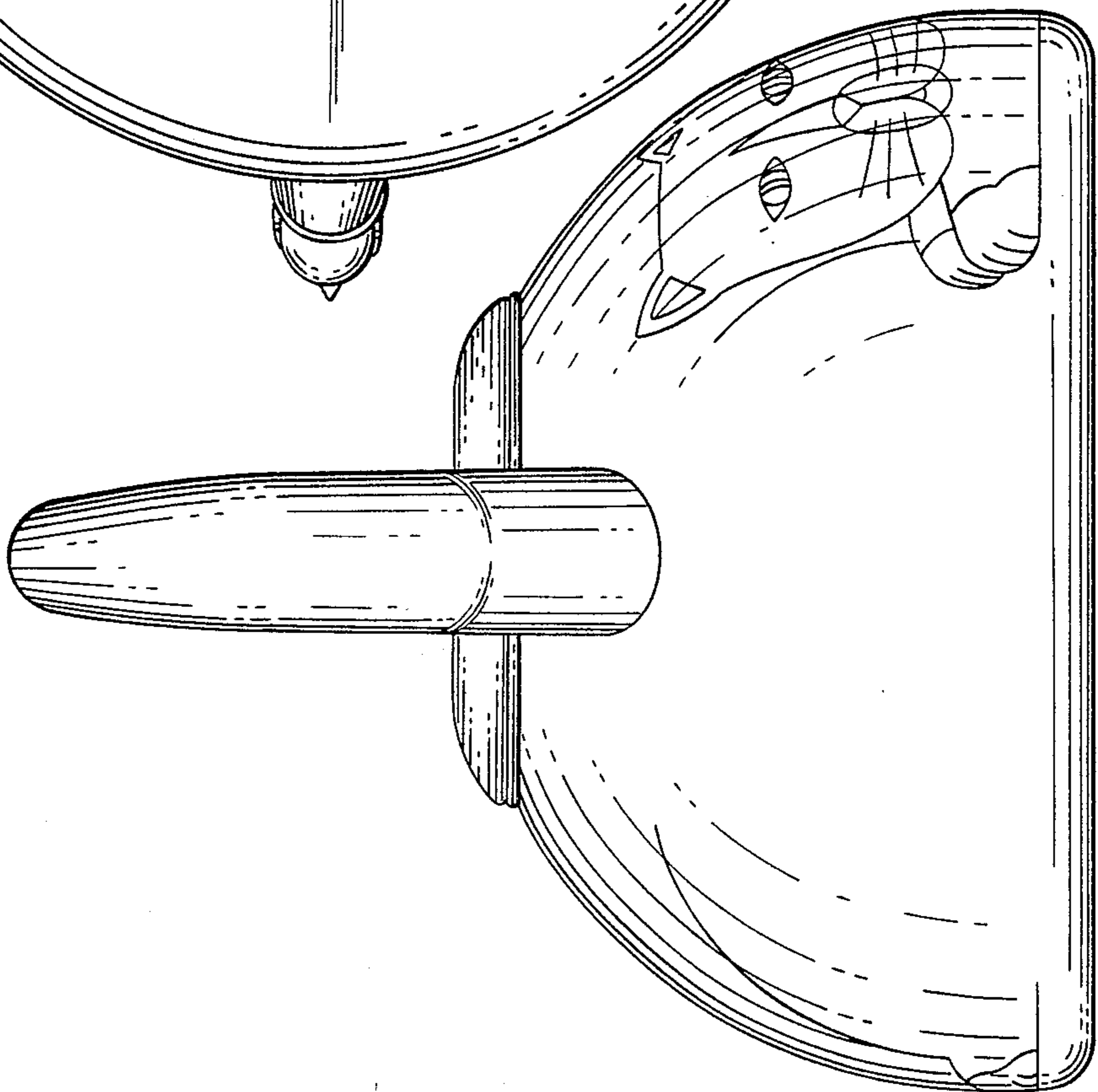


FIG. 5