

# United States Patent [19]

Stern et al.

[11] Patent Number: **Des. 311,105**

[45] Date of Patent: **\*\* Oct. 9, 1990**

[54] **COMBINED ARMREST AND CONTAINER HOLDER**

[75] Inventors: **Jon L. Stern, Beverly Hills; Richard S. Katz, Jr., Los Angeles; Keith A. Hippely, Manhattan Beach, all of Calif.**

[73] Assignee: **Cine Coasters Inc., Los Angeles, Calif.**

[\*\*] Term: **14 Years**

[21] Appl. No.: **49,412**

[22] Filed: **May 14, 1987**

[52] U.S. Cl. .... **D6/501**

[58] Field of Search ..... **D6/500-502, D6/491; 297/411**

[56] **References Cited**

**U.S. PATENT DOCUMENTS**

- D. 26,991 4/1897 Hoyt ..... D6/500
- D. 159,514 8/1950 Perlmutter ..... D6/501
- D. 238,488 1/1976 Vinson ..... D6/501 X

- D. 294,136 2/1988 Eide ..... D6/501 X
- 3,533,590 10/1970 Swire ..... 248/311.2
- 3,807,674 4/1974 Justen ..... 248/311.2
- 4,867,500 9/1989 Oosterbaan et al. .... 297/411 X

*Primary Examiner*—Bruce W. Dunkins  
*Assistant Examiner*—Janice Seeger  
*Attorney, Agent, or Firm*—Fulwider, Patton, Lee & Utecht

[57] **CLAIM**

The ornamental design for a combined armrest and container holder, as shown and described.

**DESCRIPTION**

FIG. 1 is a perspective view of a combined armrest and container holder showing our new design; FIG. 2 is a top plan view on an enlarged scale; FIG. 3 is a bottom plan view on an enlarged scale; FIG. 4 is a side elevational view on an enlarged scale, the opposite side being a mirror image thereof; FIG. 5 is a front elevational view on an enlarged scale; and FIG. 6 is a rear elevational view on an enlarged scale thereof.

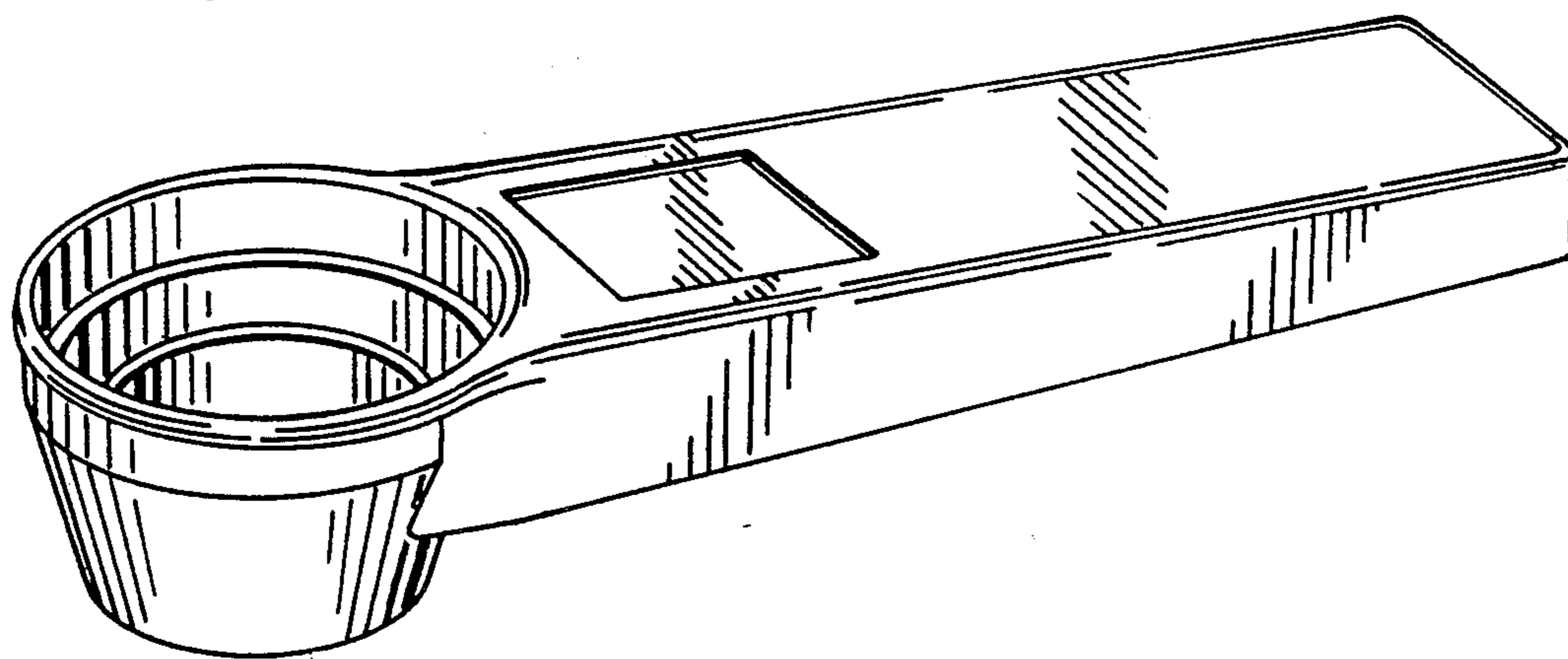


FIG. 1

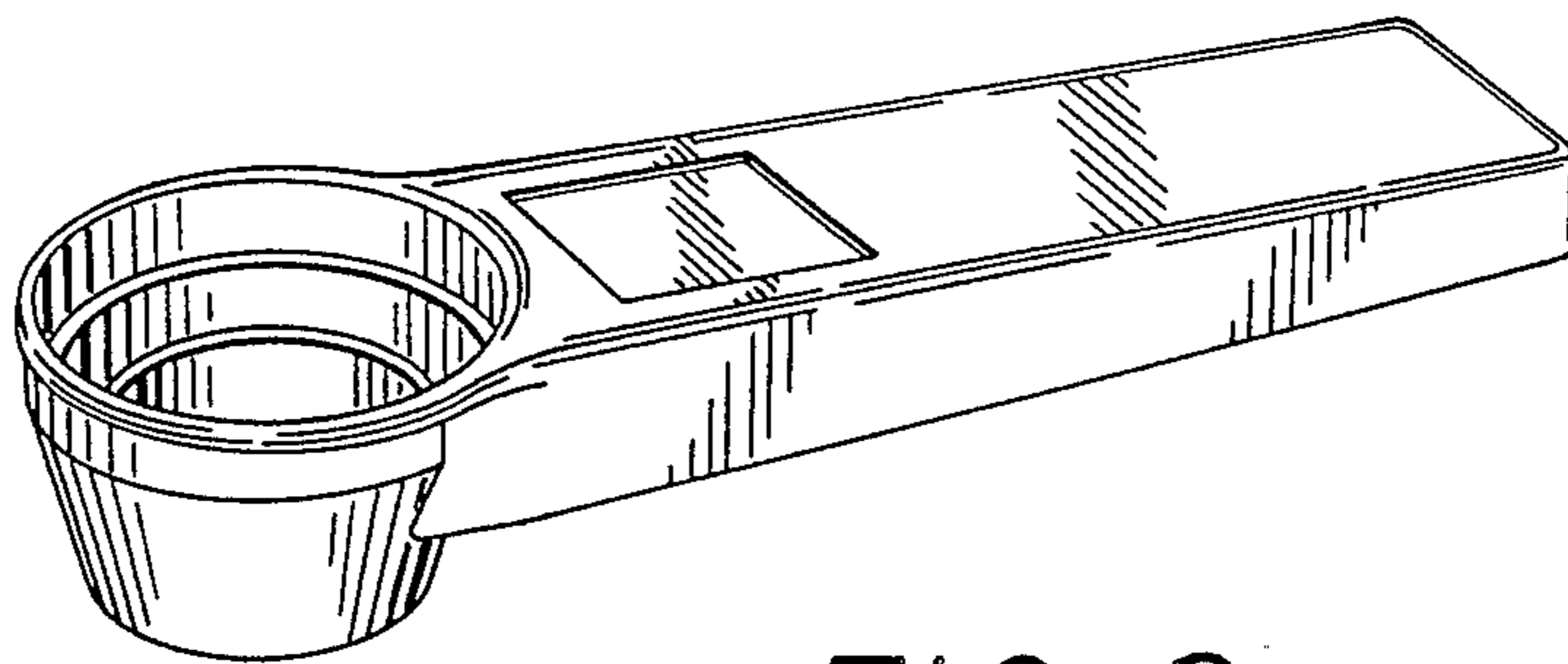


FIG. 2

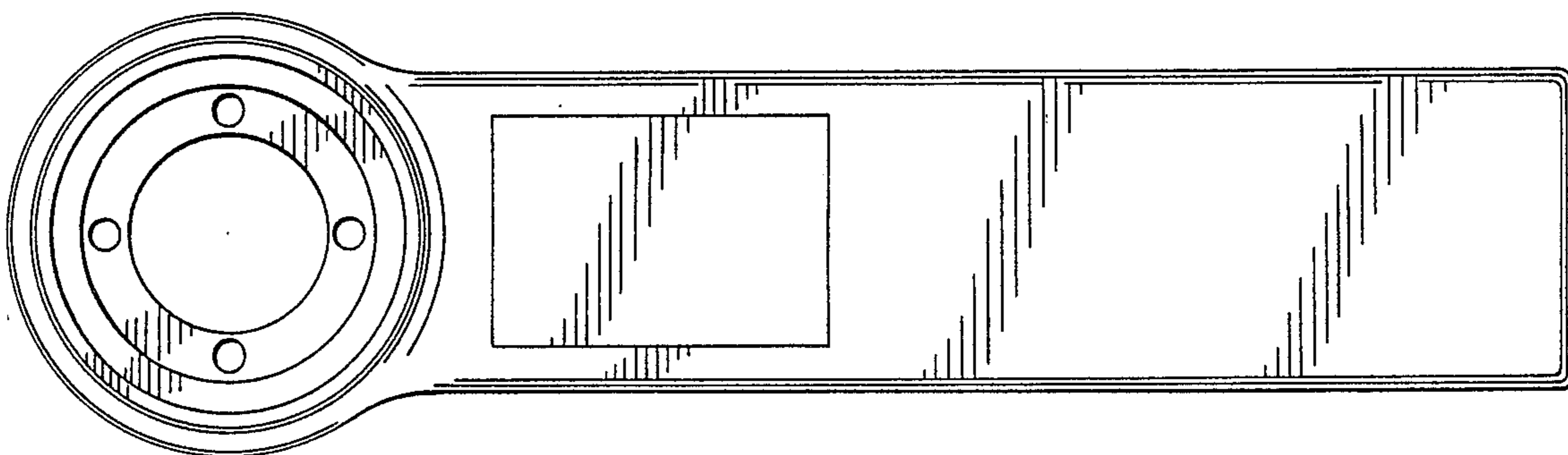


FIG. 3

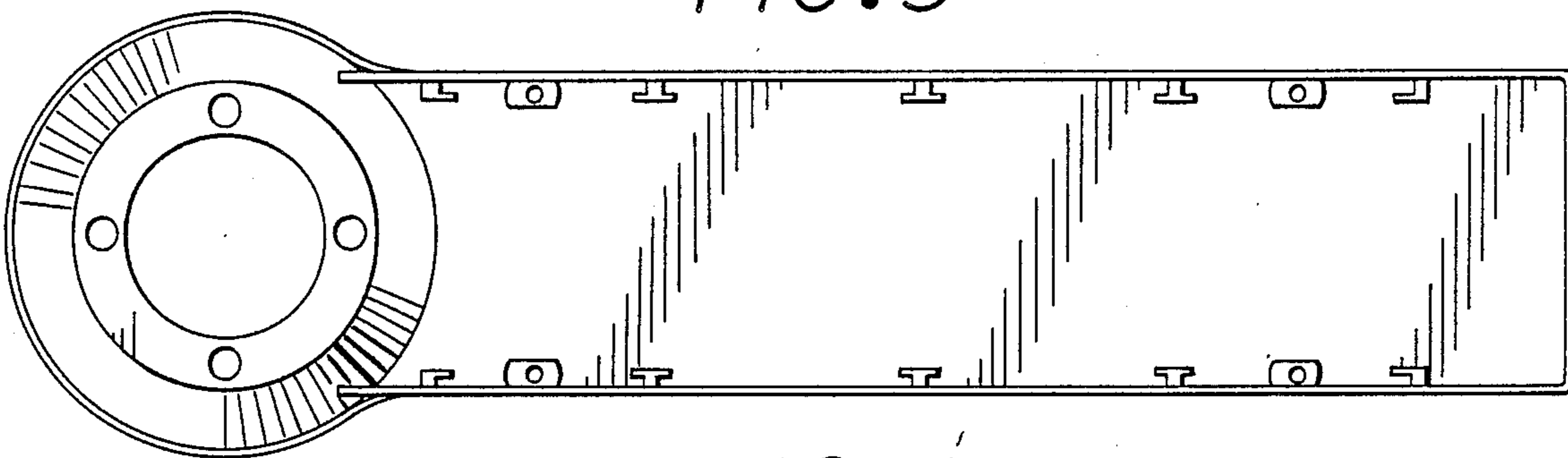


FIG. 4

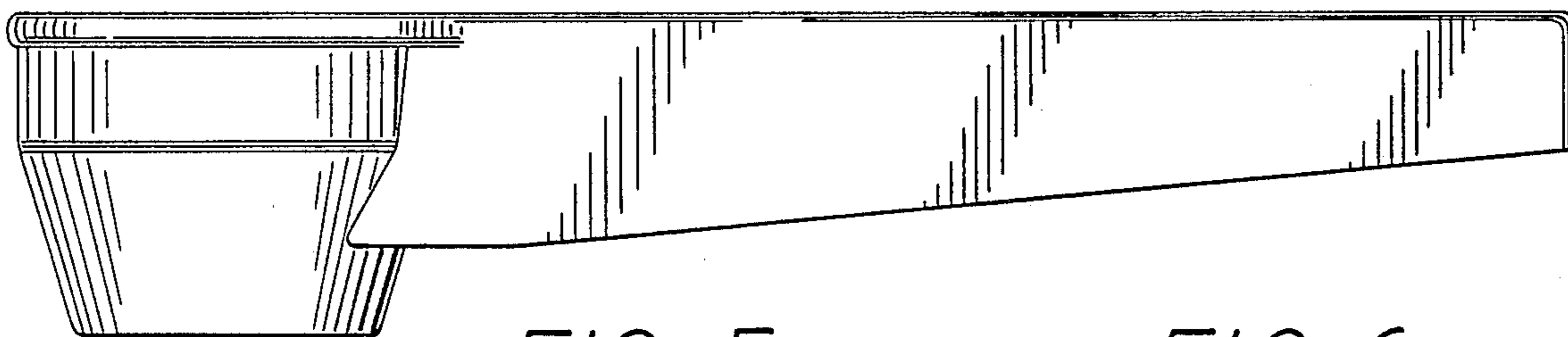


FIG. 5

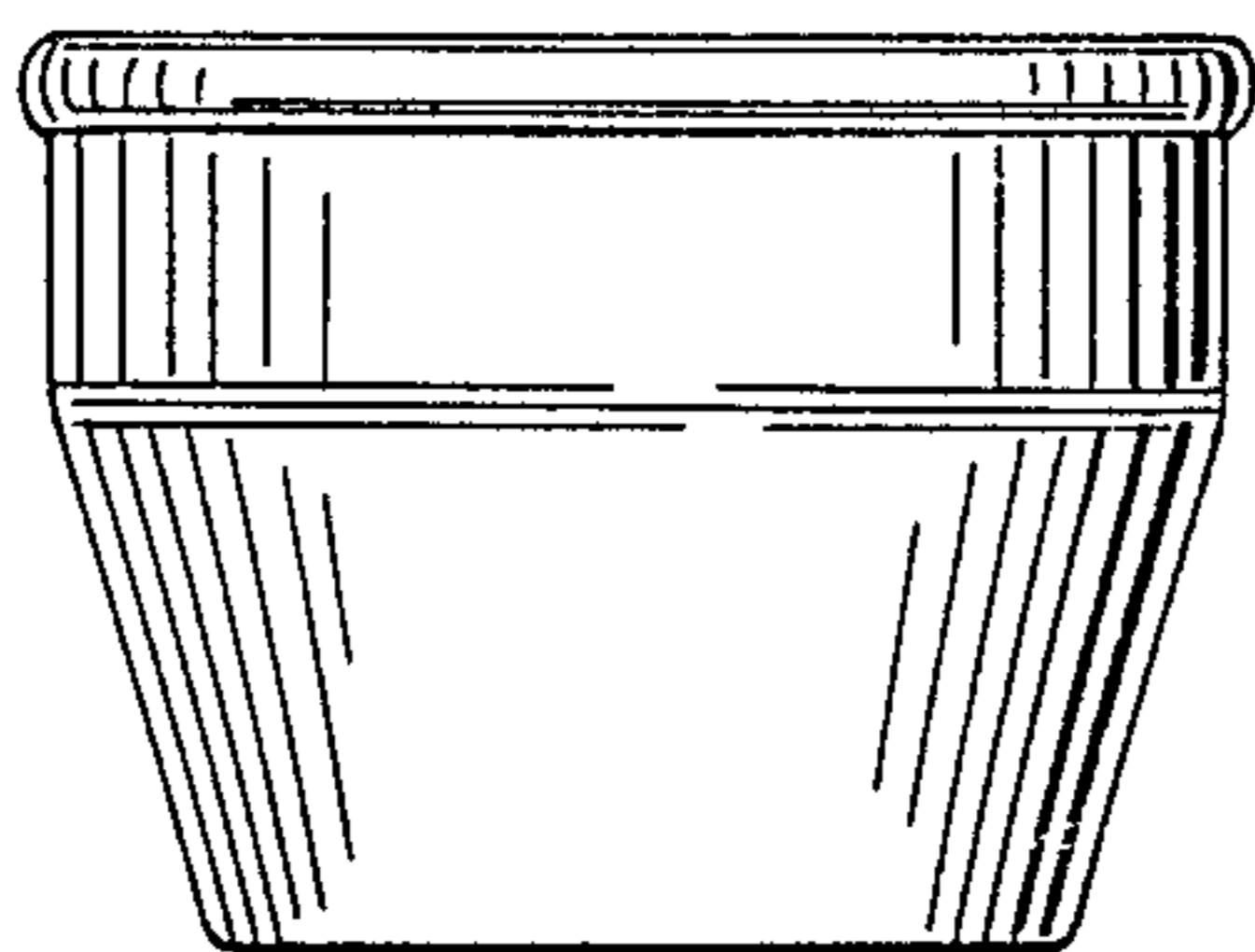


FIG. 6

