

[54] **SADDLE BAG TYPE CARRIER**
 [76] **Inventor: Ronald J. Hoffman, 545 King Oahs Ave., Collierville, Tenn. 38017**
 [**] **Term: 14 Years**
 [21] **Appl. No.: 42,011**
 [22] **Filed: Apr. 24, 1987**
 [52] **U.S. Cl. D3/30.1; D3/42; D3/52; D3/79**
 [58] **Field of Search D3/48, 52, 79, 30.1, D3/76; 224/905, 205, 42.11, 220, 236; 190/102, 108**

3,717,188 2/1973 Green .
 4,206,835 6/1980 Shapiro 190/108
 4,424,841 1/1984 Smith 190/108 X
 4,598,803 7/1986 Ghiassi 190/102 X

Primary Examiner—A. Hugo Word
Assistant Examiner—Doris V. Coles
Attorney, Agent, or Firm—Wood, Herron & Evans

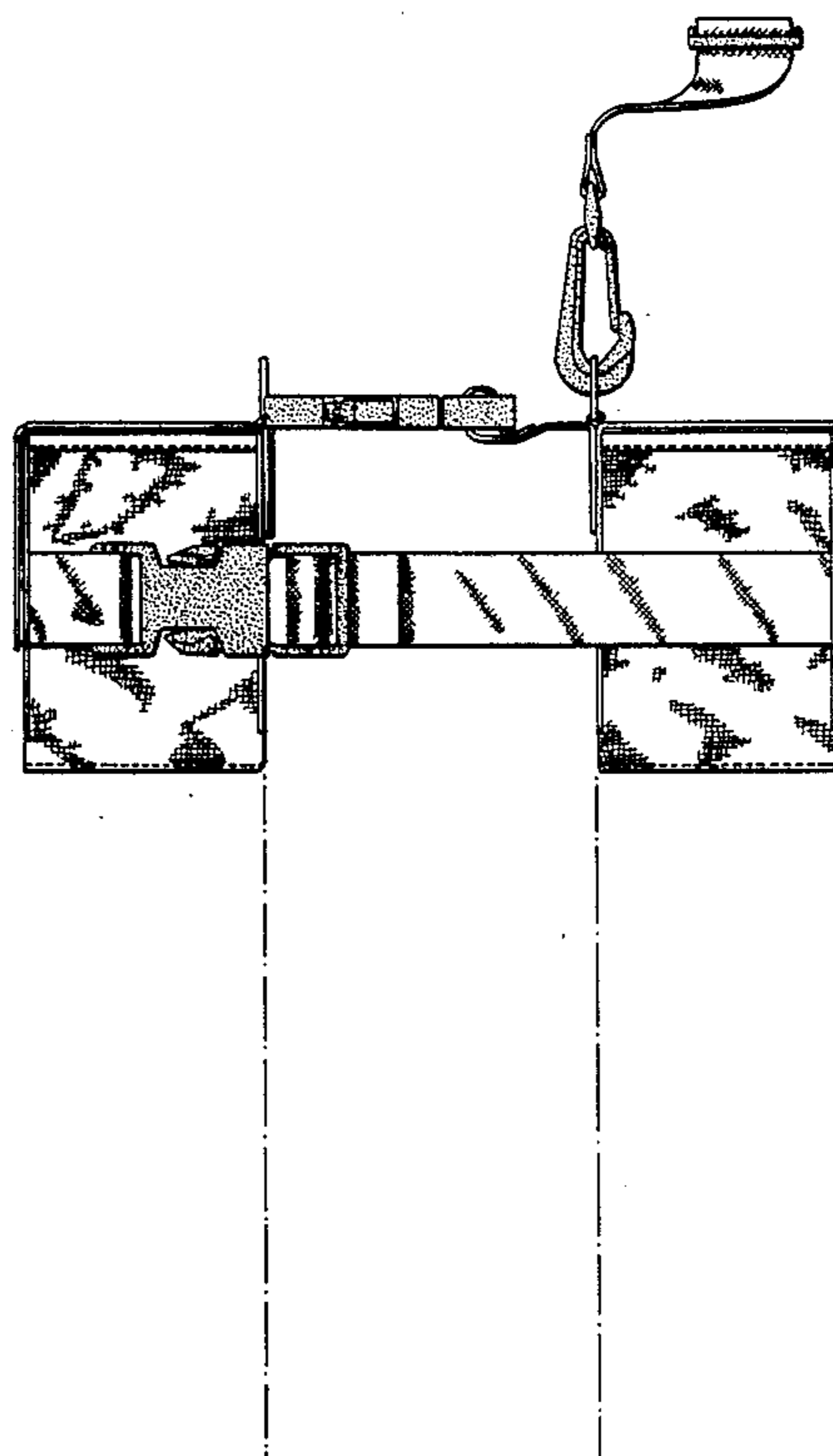
[57] **CLAIM**

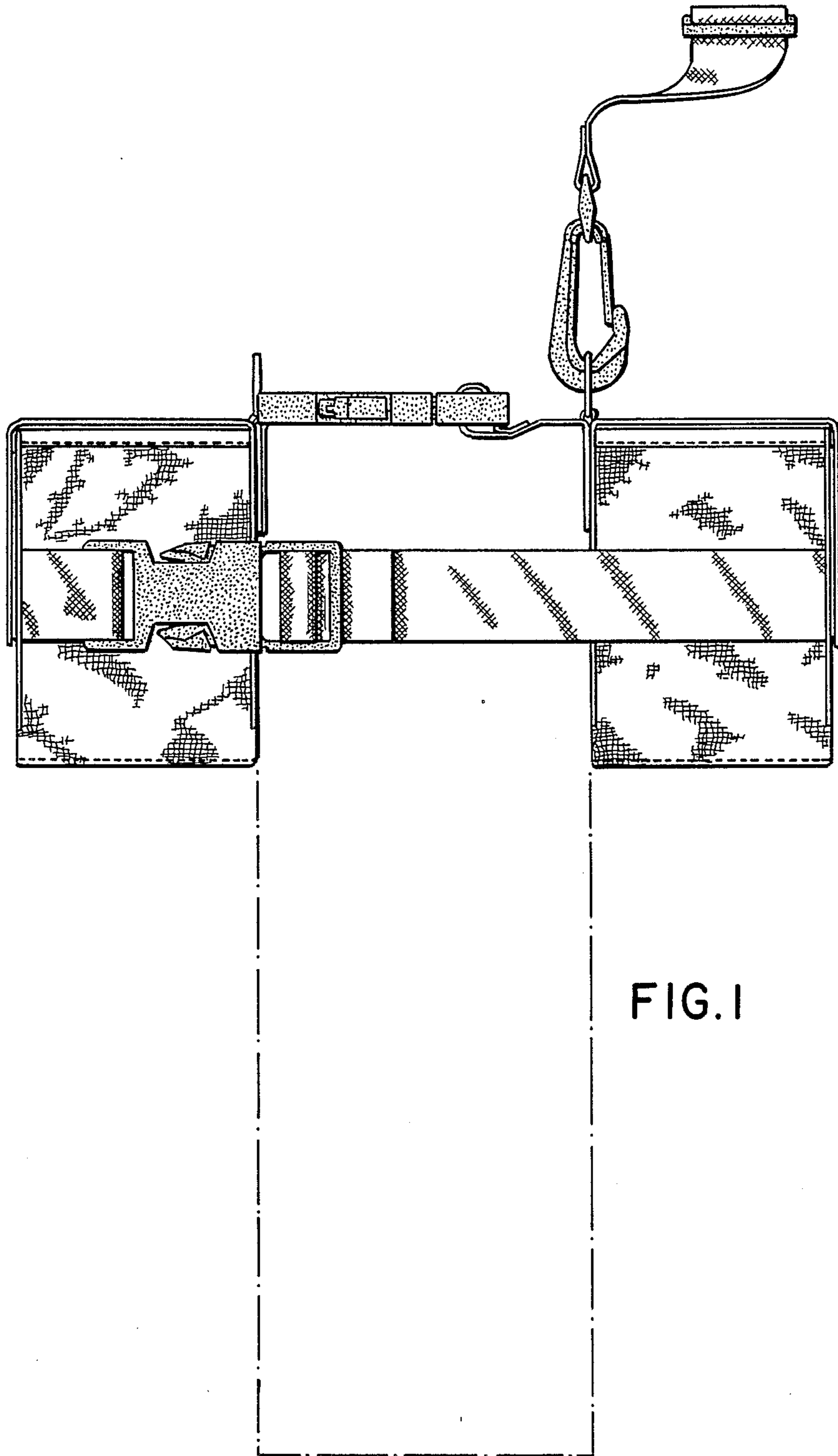
The ornamental design for saddle bag type carrier, as shown and described.

DESCRIPTION

FIG. 1 is a right side elevational view of a saddle bag type carrier, showing my new design, the left side being a mirror image thereof;
 FIG. 2 is a front elevational view, the rear being a mirror image thereof;
 FIG. 3 is a top plan view thereof; and
 FIG. 4 is a bottom plan view.
 The broken line showing of a record player is for illustrative purposes only and forms no part of the claimed design.

[56] **References Cited**
U.S. PATENT DOCUMENTS
 D. 227,818 7/1973 Dipadova D3/48
 D. 259,748 7/1981 Outcalt .
 D. 279,428 7/1985 Thomas D3/48 X
 D. 291,262 8/1987 Colby D3/30.1 X
 D. 292,847 11/1987 Barker D3/52
 2,813,669 11/1957 Frieder et al. 224/236 X





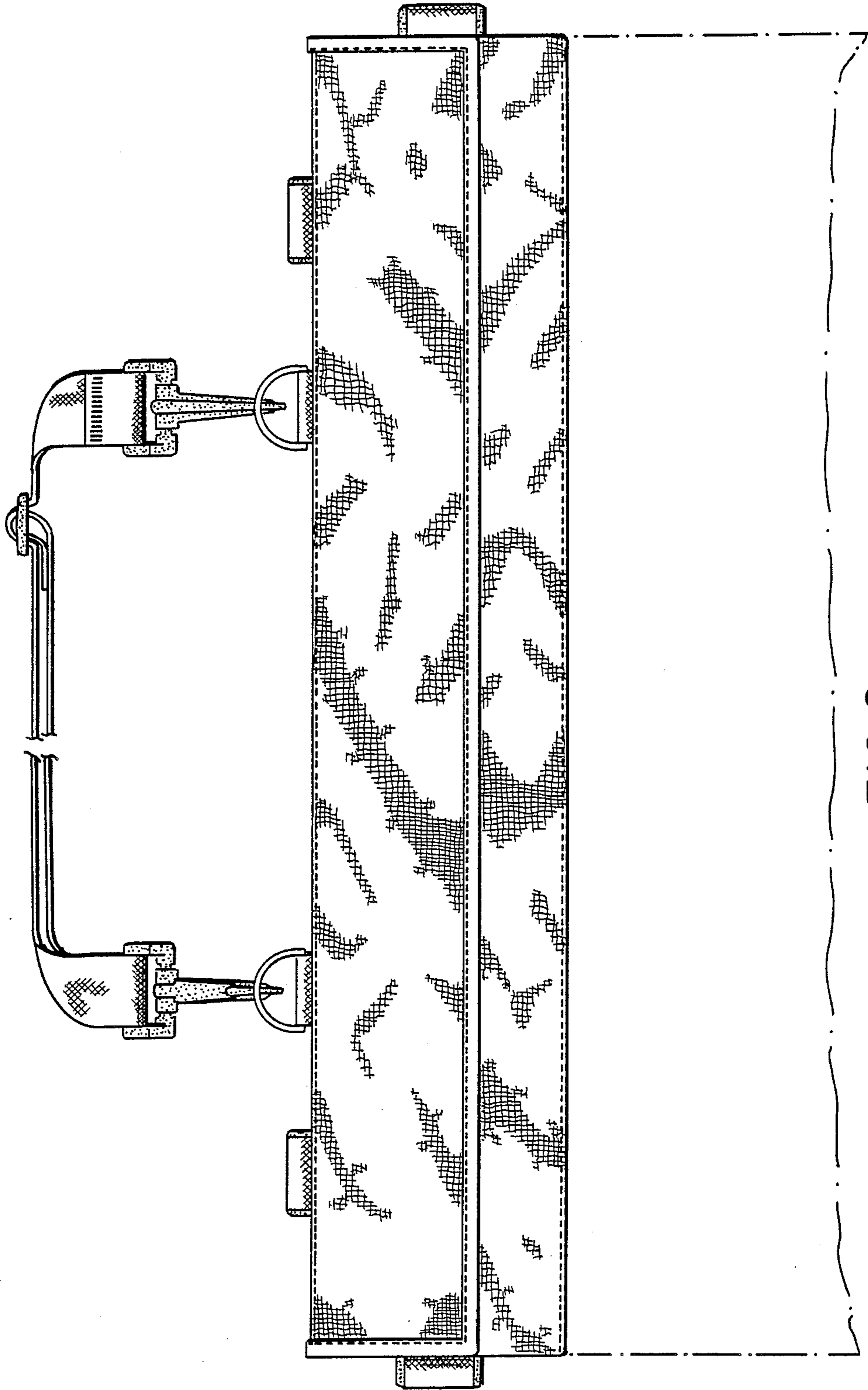


FIG.2

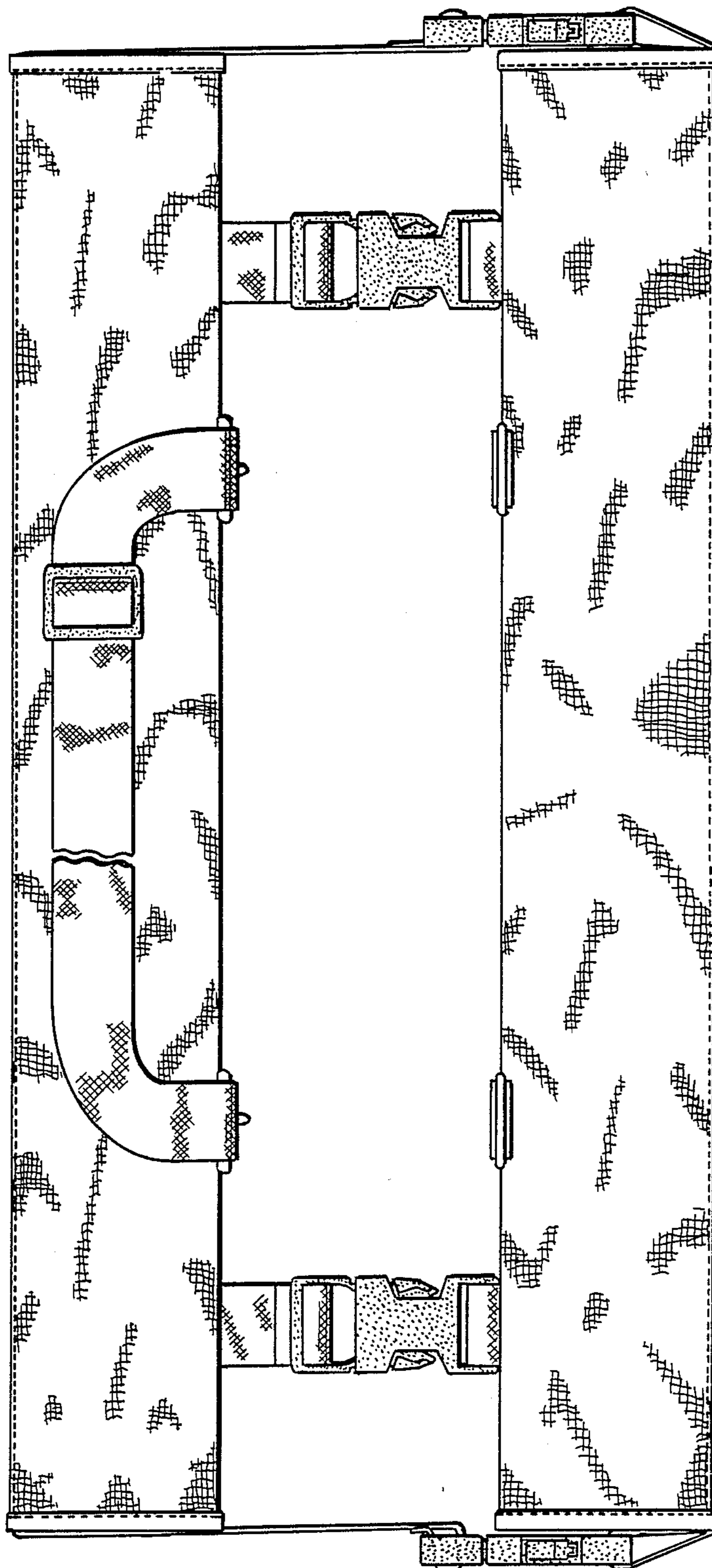


FIG. 3

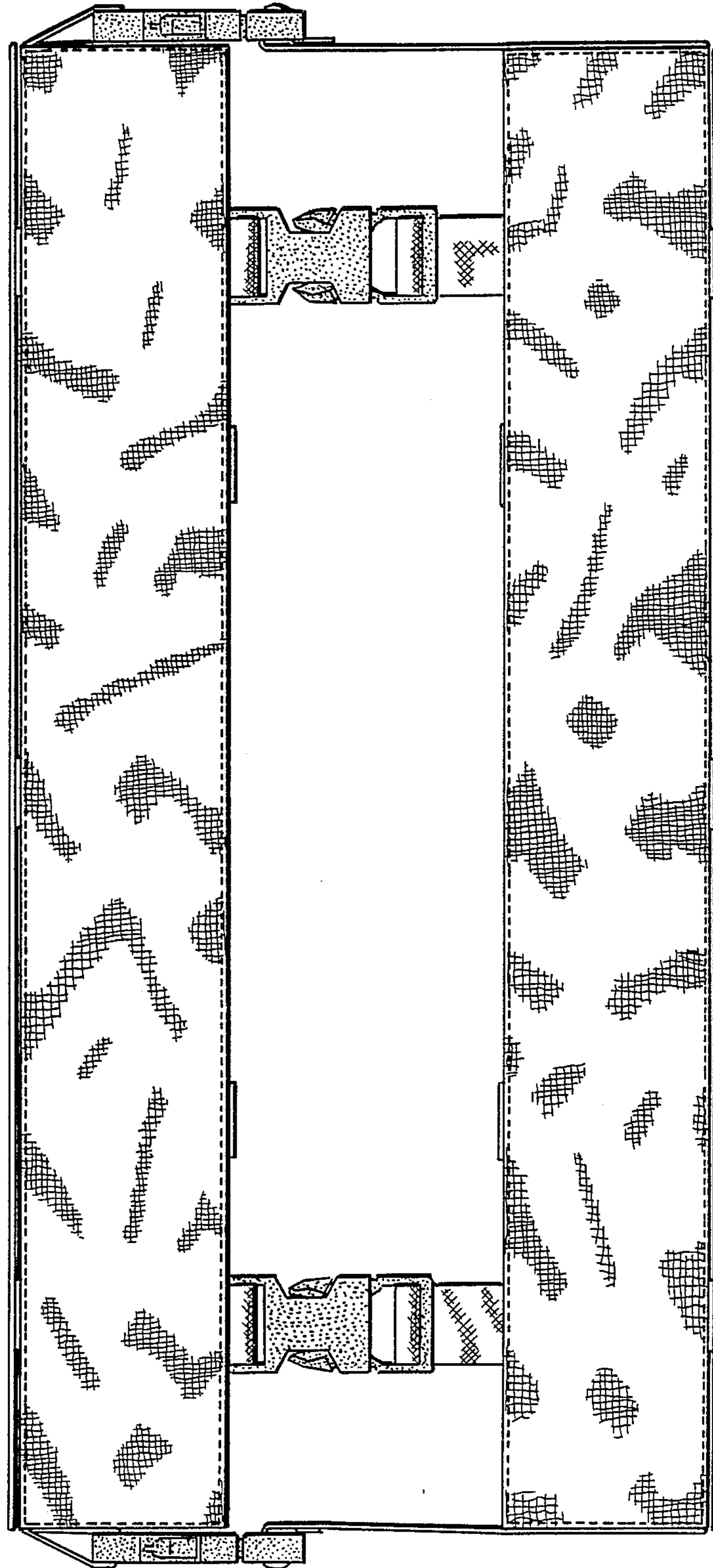


FIG. 4