

[54] PROTECTIVE HAT

[76] Inventor: John Vargo, 8310 Walter, Mt. Morris, Mich. 48458

[*] Notice: The portion of the term of this patent subsequent to Jul. 9, 2001 has been disclaimed.

[**] Term: 14 Years

[21] Appl. No.: 222,516

[22] Filed: Jan. 2, 1981

Related U.S. Application Data

[63] Continuation-in-part of Ser. No. 960,186, Nov. 13, 1978.

[52] U.S. Cl. D2/232

[58] Field of Search D2/230, 231, 244, 246, D2/247, 253, 248, 232; 2/410, 425

[56] References Cited

U.S. PATENT DOCUMENTS

- D. 21,712 7/1892 Brundage D2/248
- D. 31,107 6/1899 Davis D2/244
- D. 168,920 2/1953 Wittcoff D2/231
- D. 241,886 10/1976 Alevras D2/231 X

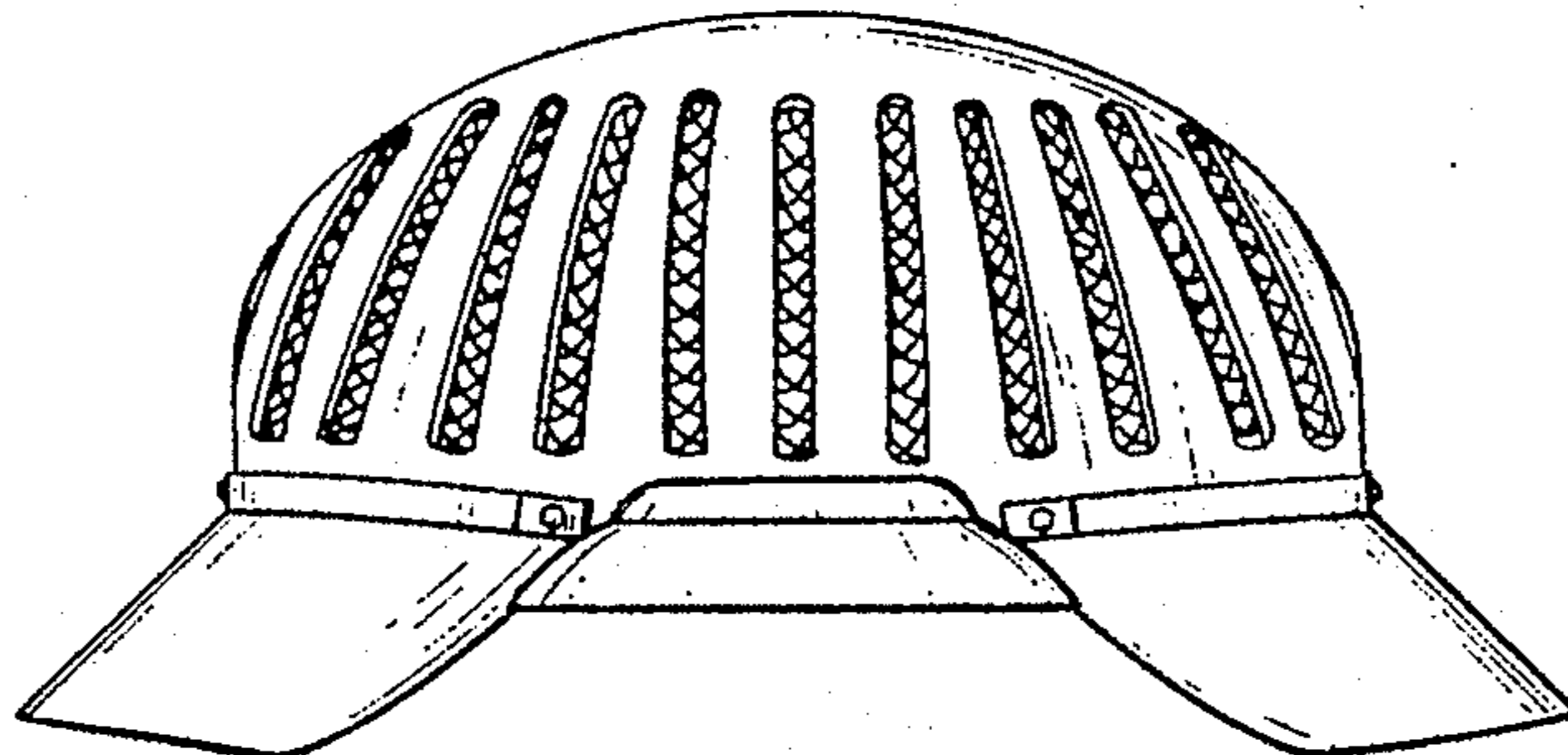
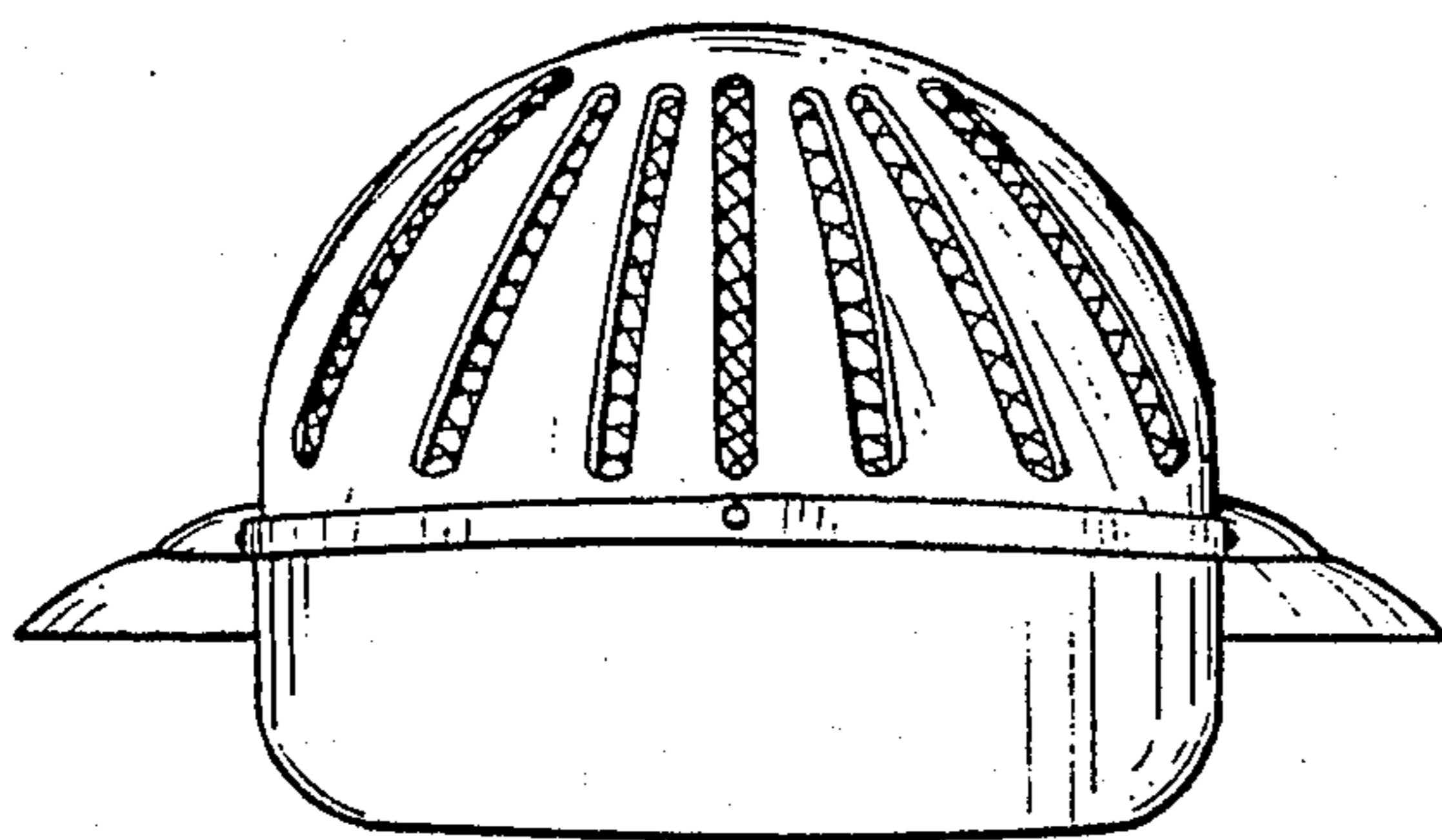
Primary Examiner—Joel Stearmán
Assistant Examiner—Carmen H. Vales
Attorney, Agent, or Firm—Basile, Weintraub & Hanlon

[57] CLAIM

The ornamental design for a protective hat, as shown and described.

DESCRIPTION

FIG. 1 is a front elevational view of a protective hat showing my new design;
FIG. 2 is a rear elevational view thereof;
FIG. 3 is a side elevational view, the opposite being identical thereof;
FIG. 4 is a top plan view thereof; and
FIG. 5 is a bottom plan view thereof.



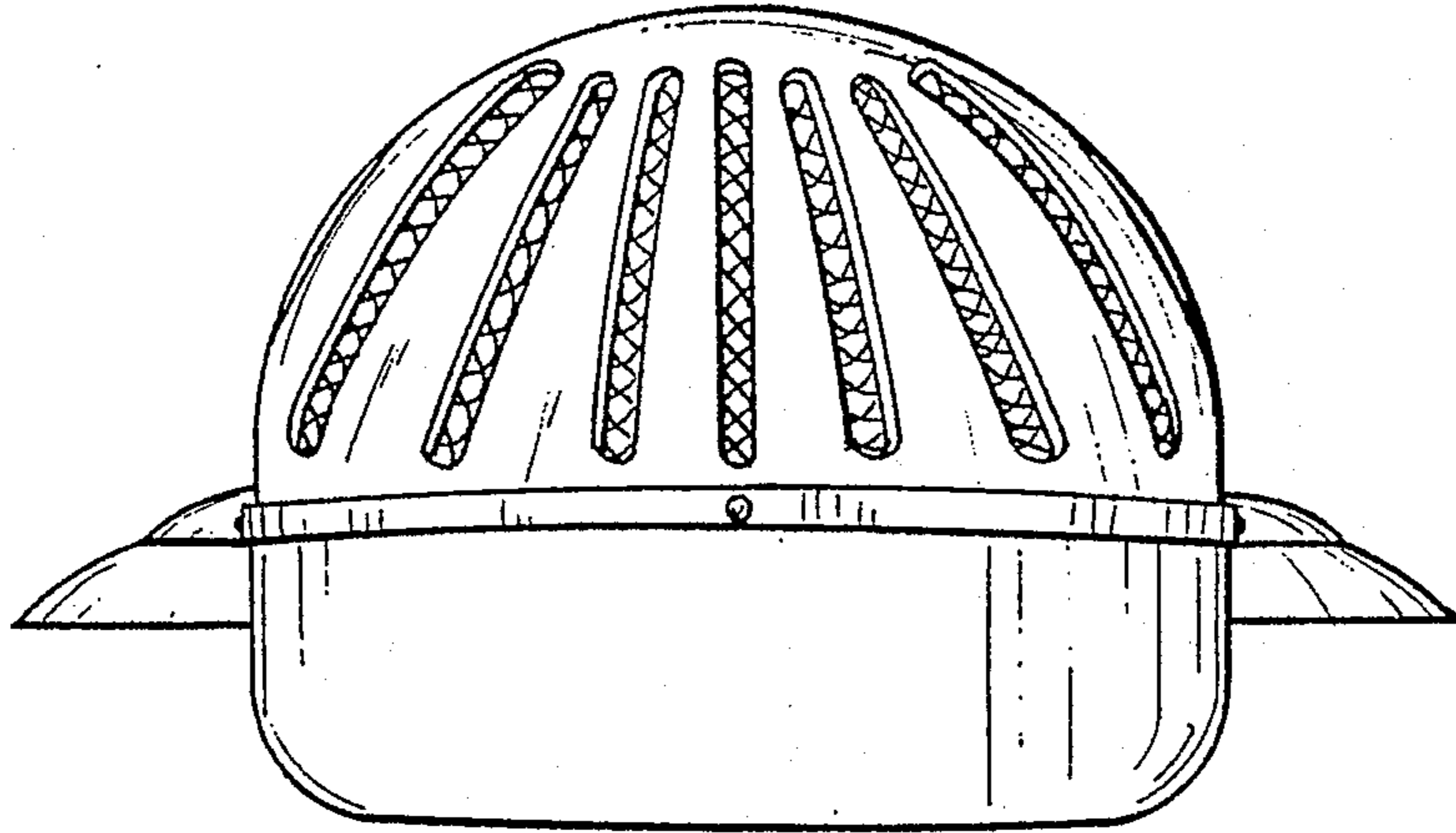


Fig-1

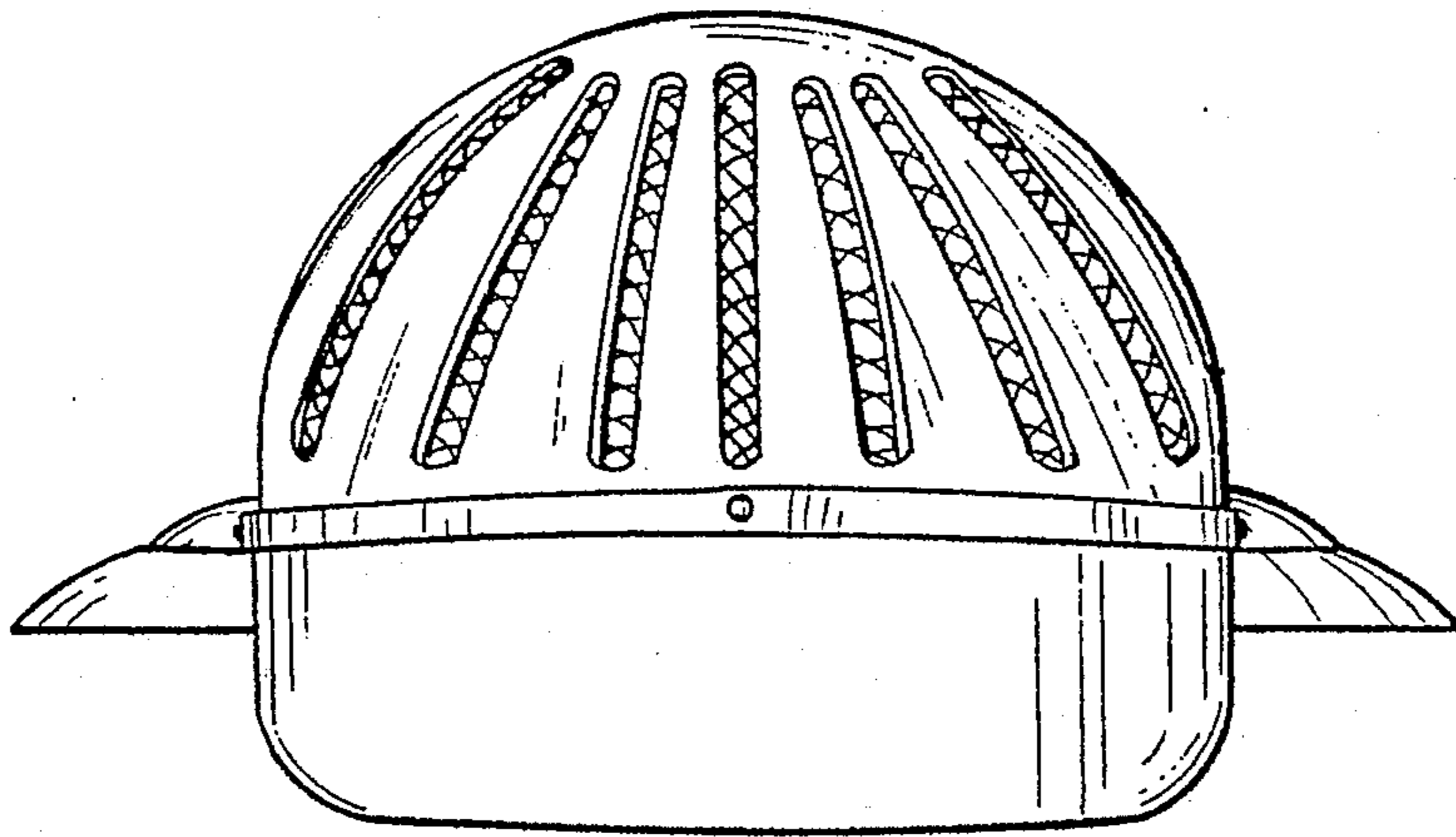


Fig-2

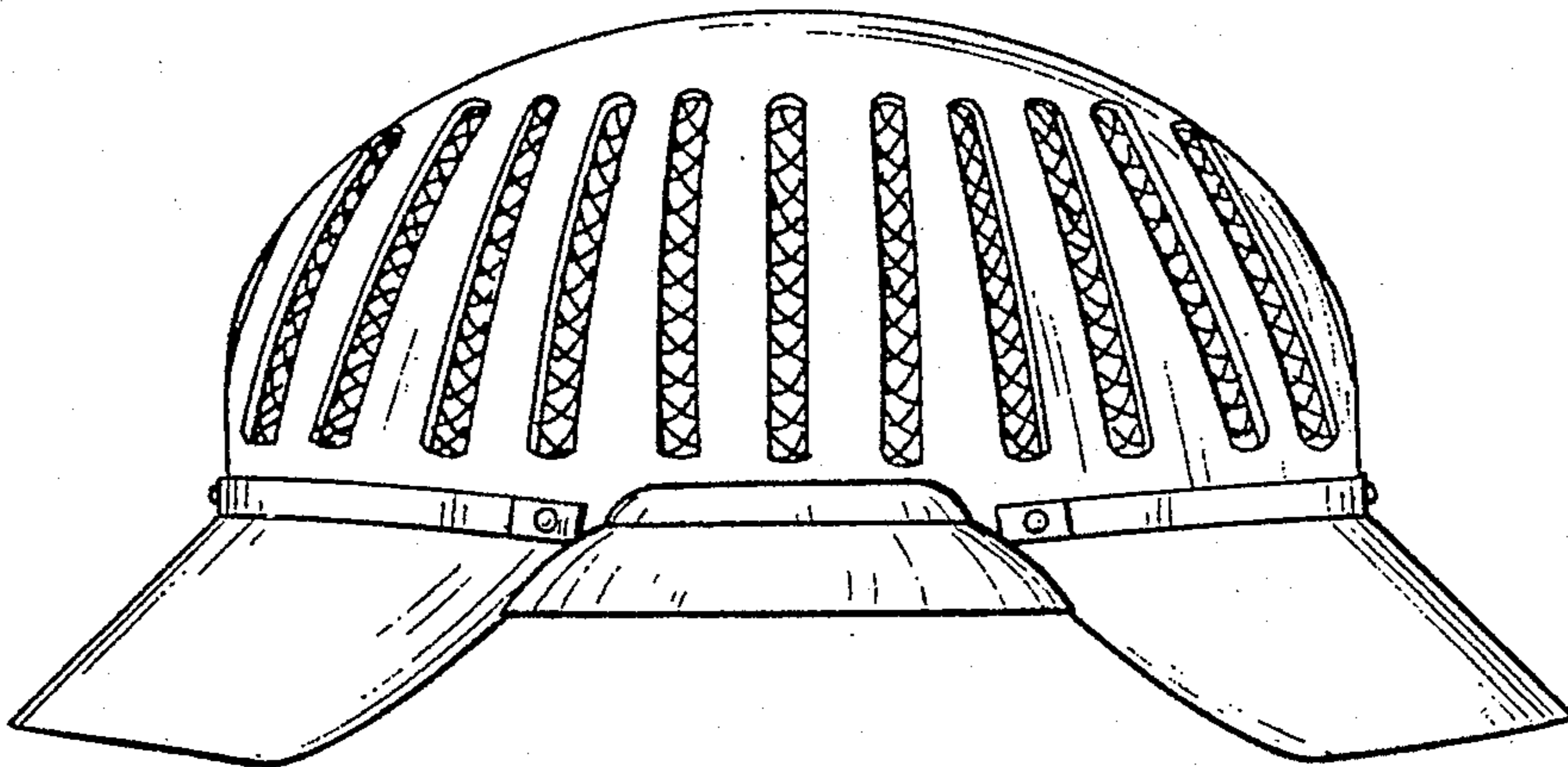


Fig-3

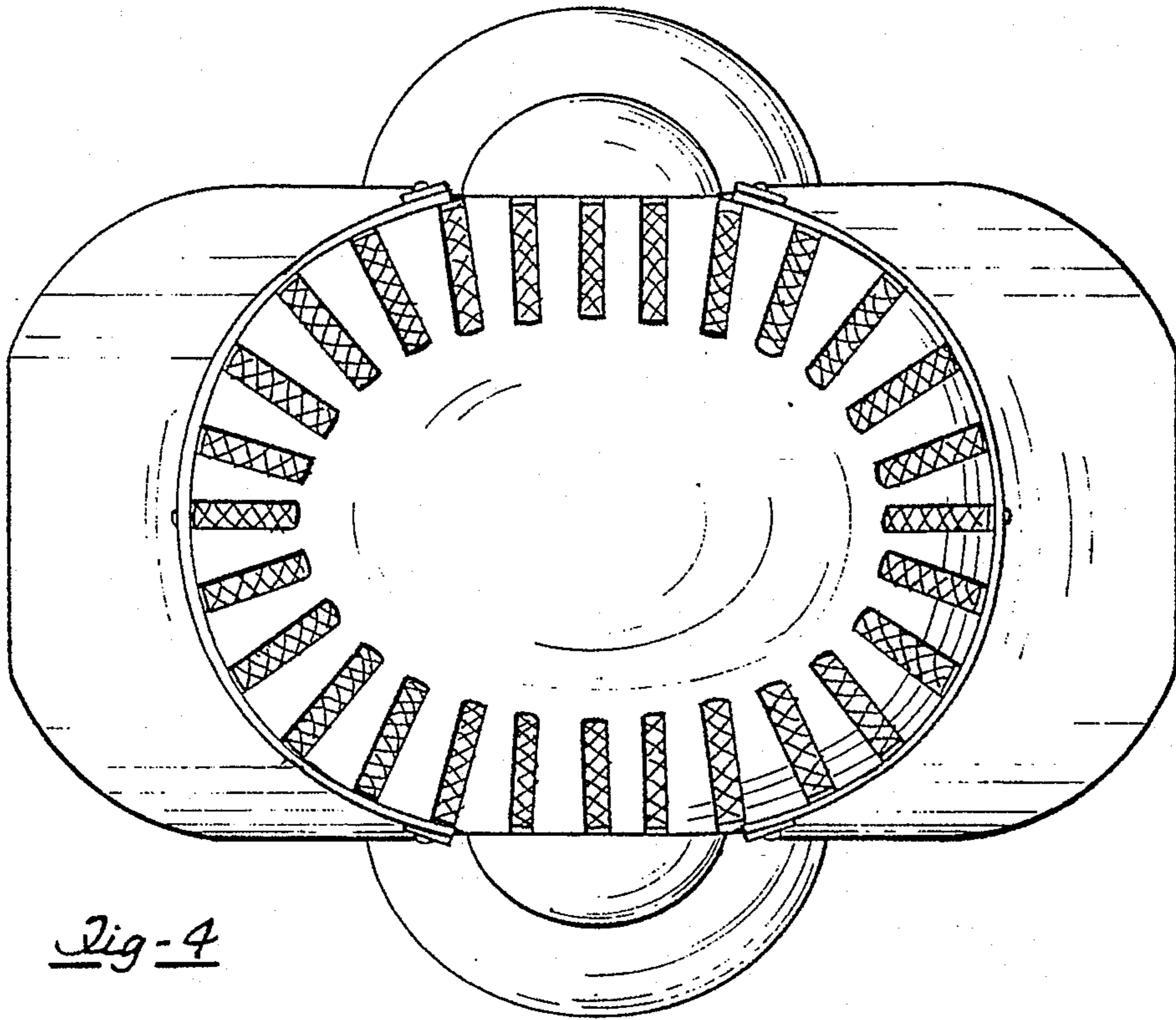


Fig-4

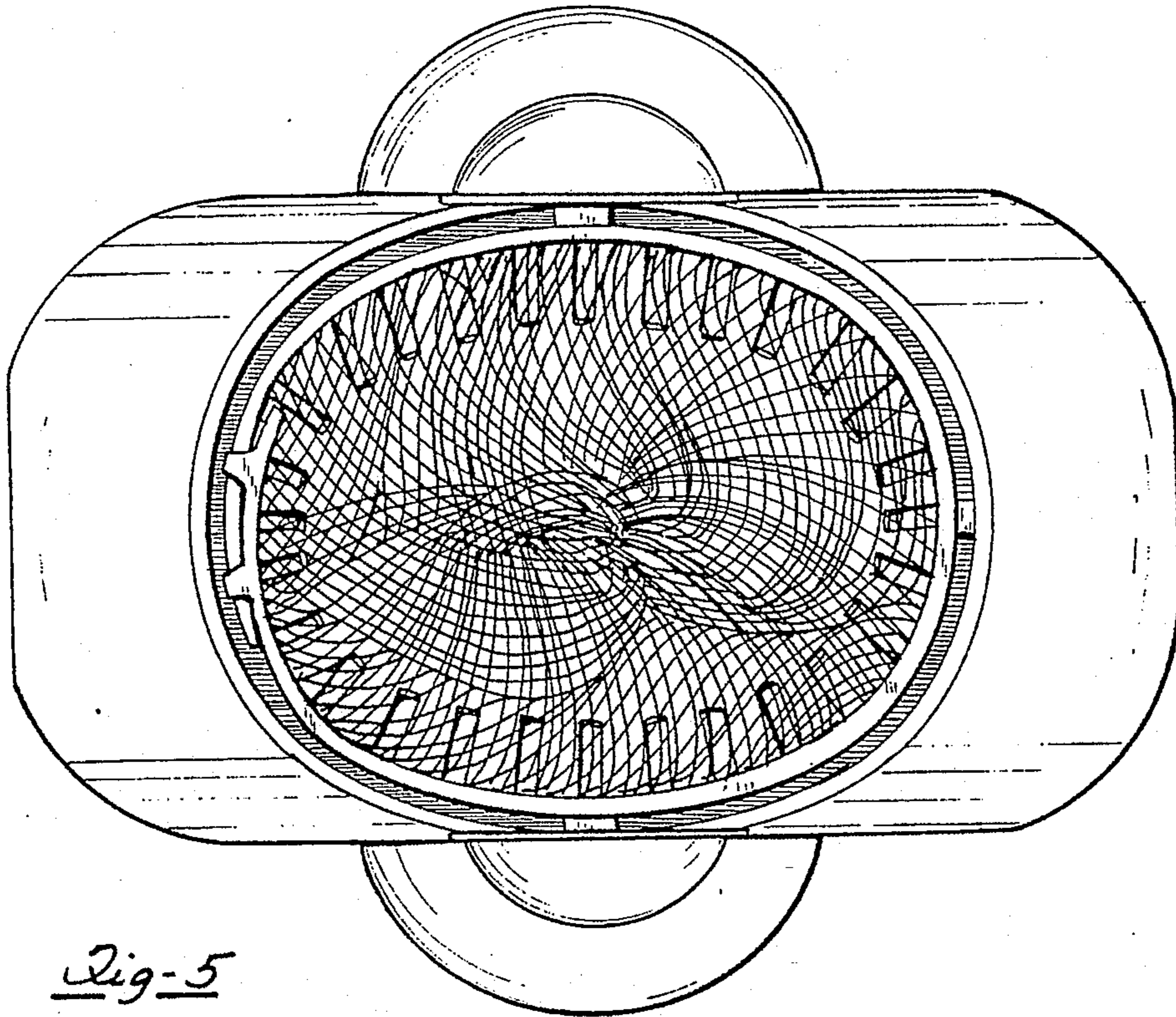


Fig-5