

# United States Patent [19]

Nordstrom et al.

[11] Patent Number: Des. 311,082

[45] Date of Patent: \*\* Oct. 2, 1990

[54] CART FOR REFUSE CONTAINERS

[75] Inventors: Michael D. Nordstrom; Bob Armstrong, both of Waterloo, Iowa

[73] Assignee: Advanced Recycling Systems Inc., Waterloo, Iowa

[\*\*] Term: 14 Years

[21] Appl. No.: 260,369

[22] Filed: Oct. 20, 1988

[52] U.S. Cl. .... D34/24; D34/26

[58] Field of Search ..... D34/12, 17, 18, 19, D34/20, 23; 280/47.19, 47.34, 47.35, 47.24, 47.26, 79.3, 47.33

[56] **References Cited**

**U.S. PATENT DOCUMENTS**

- D. 146,848 6/1947 Brickson ..... D34/24
- D. 189,291 11/1960 Clarke ..... D34/21
- D. 204,753 5/1966 Shepherd ..... D34/24

- D. 219,581 12/1970 Parsons ..... D34/24
- D. 289,936 5/1987 Shoctor ..... D34/24
- D. 304,111 10/1989 Mehalick ..... D34/12

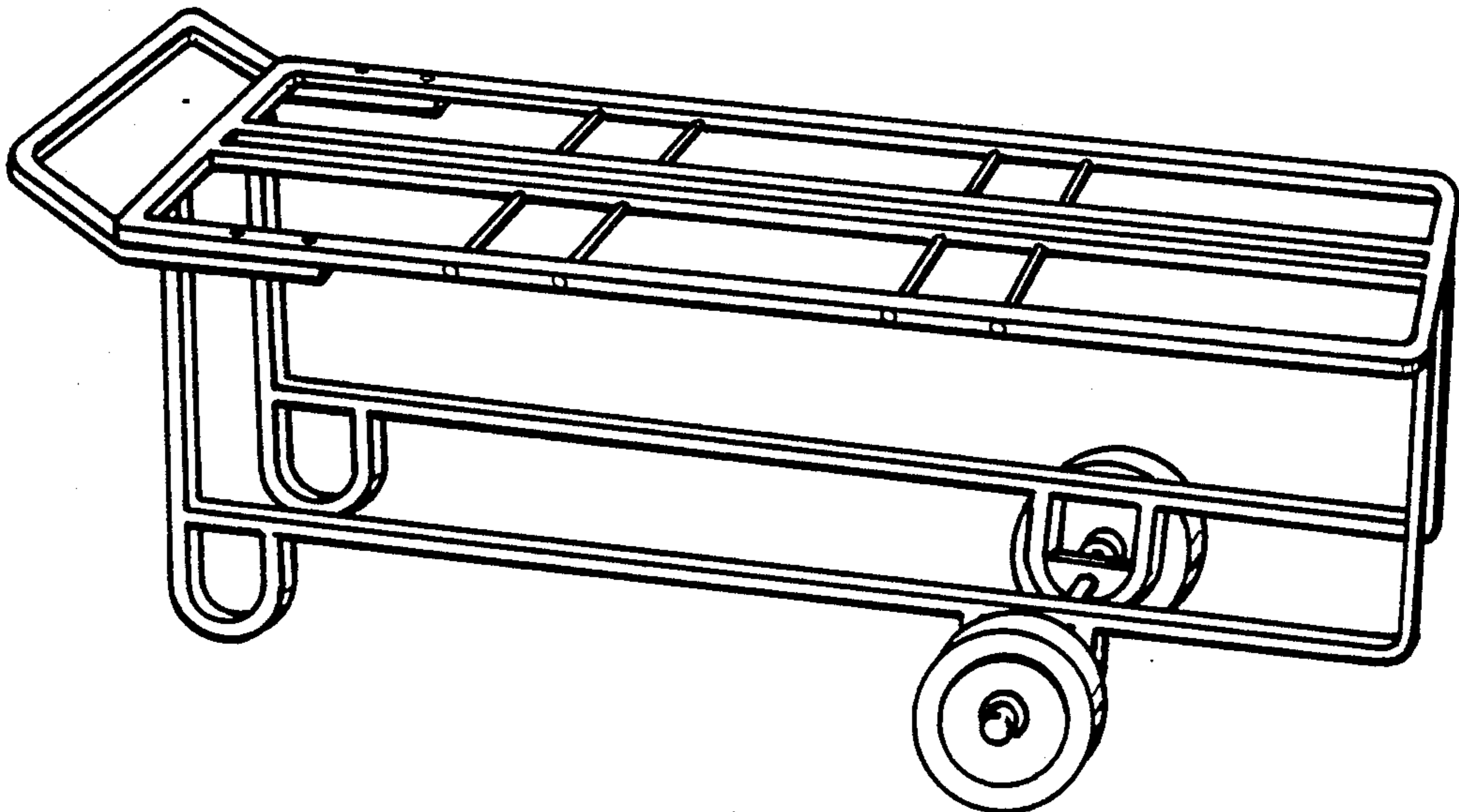
*Primary Examiner*—Wallace R. Burke  
*Assistant Examiner*—Kay H. Chin  
*Attorney, Agent, or Firm*—James C. Nemmers

[57] **CLAIM**

The ornamental design for a cart for refuse containers, as shown and described.

**DESCRIPTION**

FIG. 1 is a front perspective view of cart for refuse containers showing my new design;  
FIG. 2 is a front elevational view thereof;  
FIG. 3 is a side elevational view thereof, the opposite side elevational view being a mirror image of that shown;  
FIG. 4 is a top plan view thereof;  
FIG. 5 is a rear elevational view thereof;  
FIG. 6 is a bottom plan view thereof.



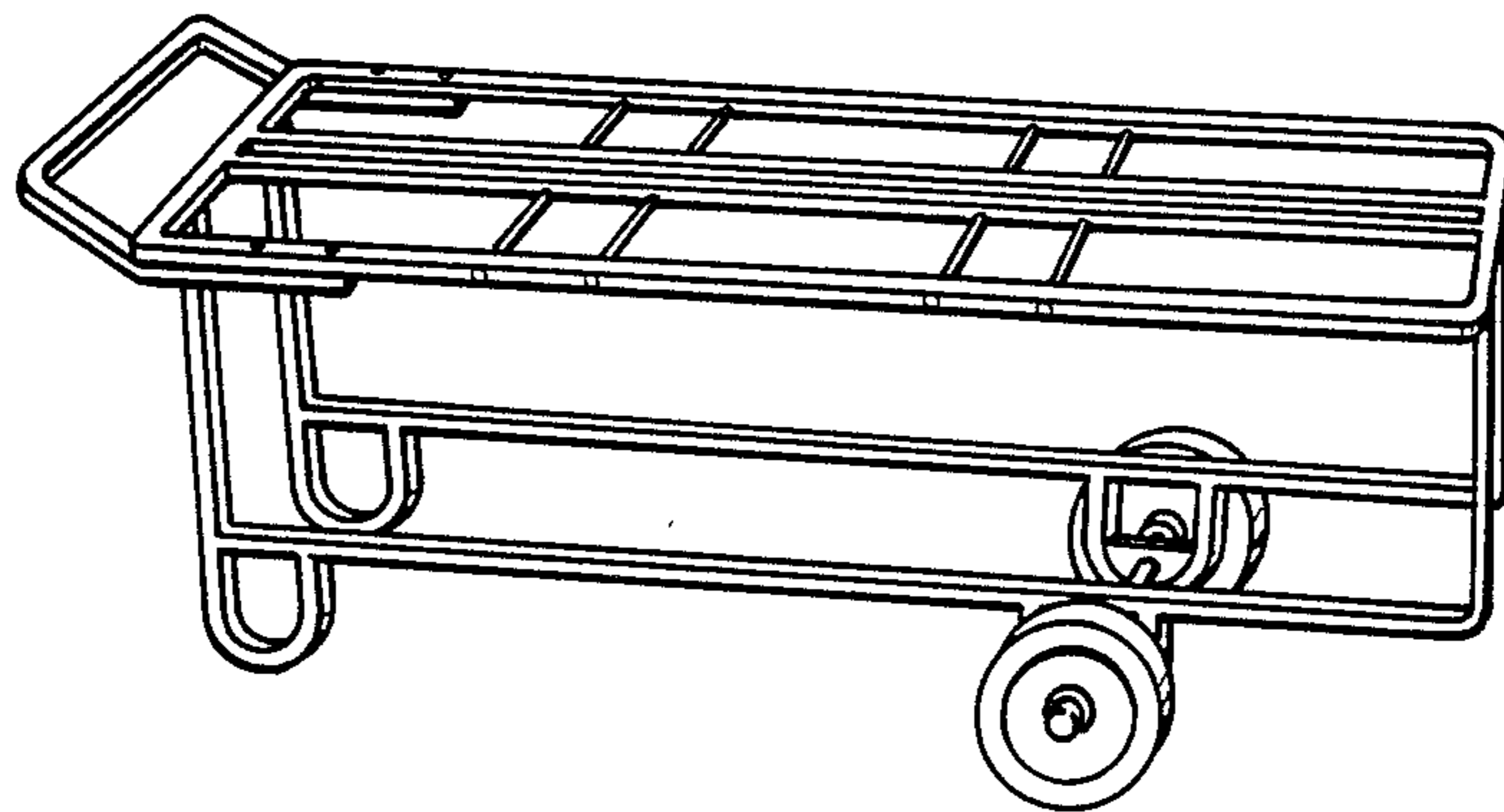


FIG 1

FIG 2

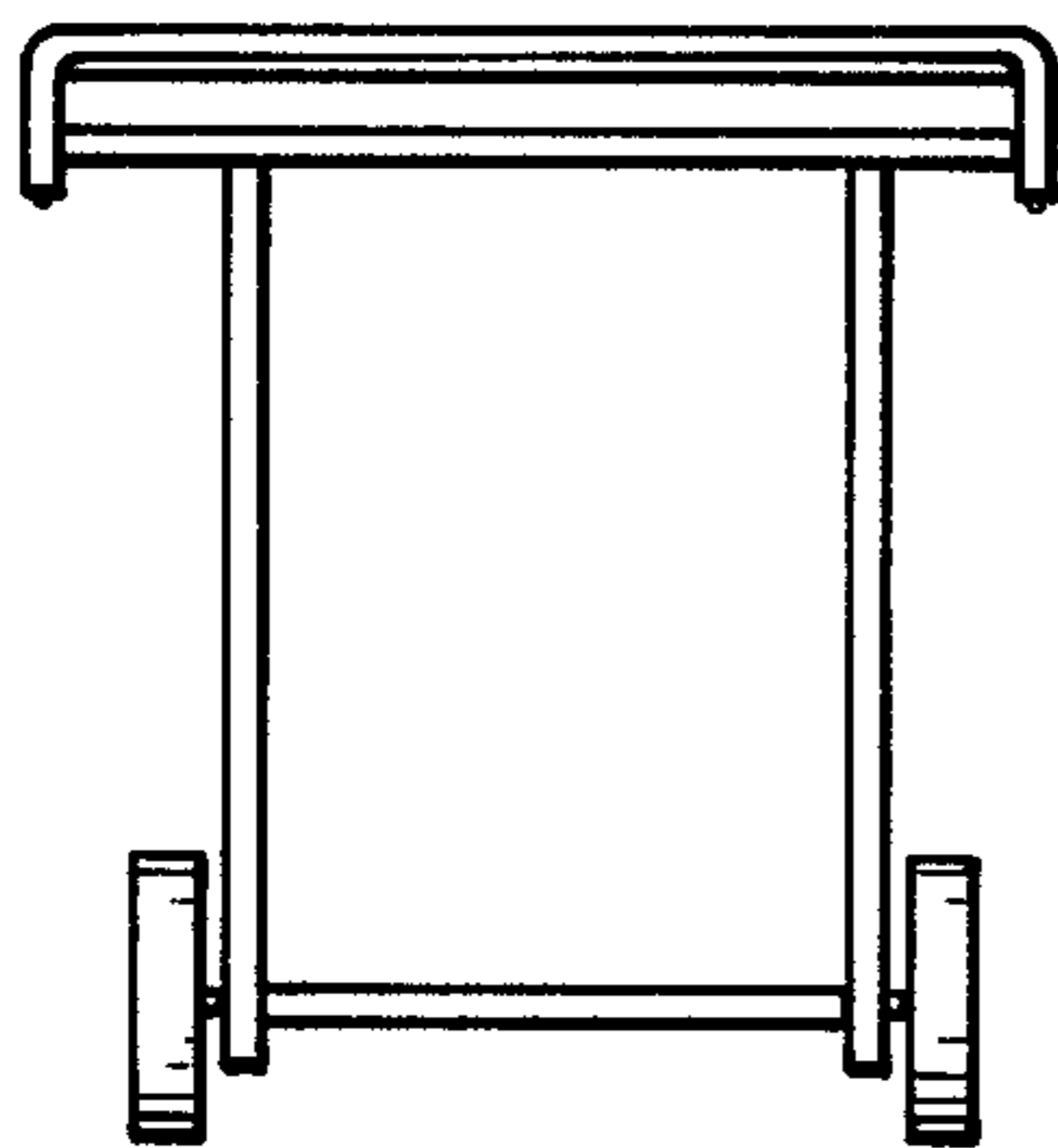


FIG 3

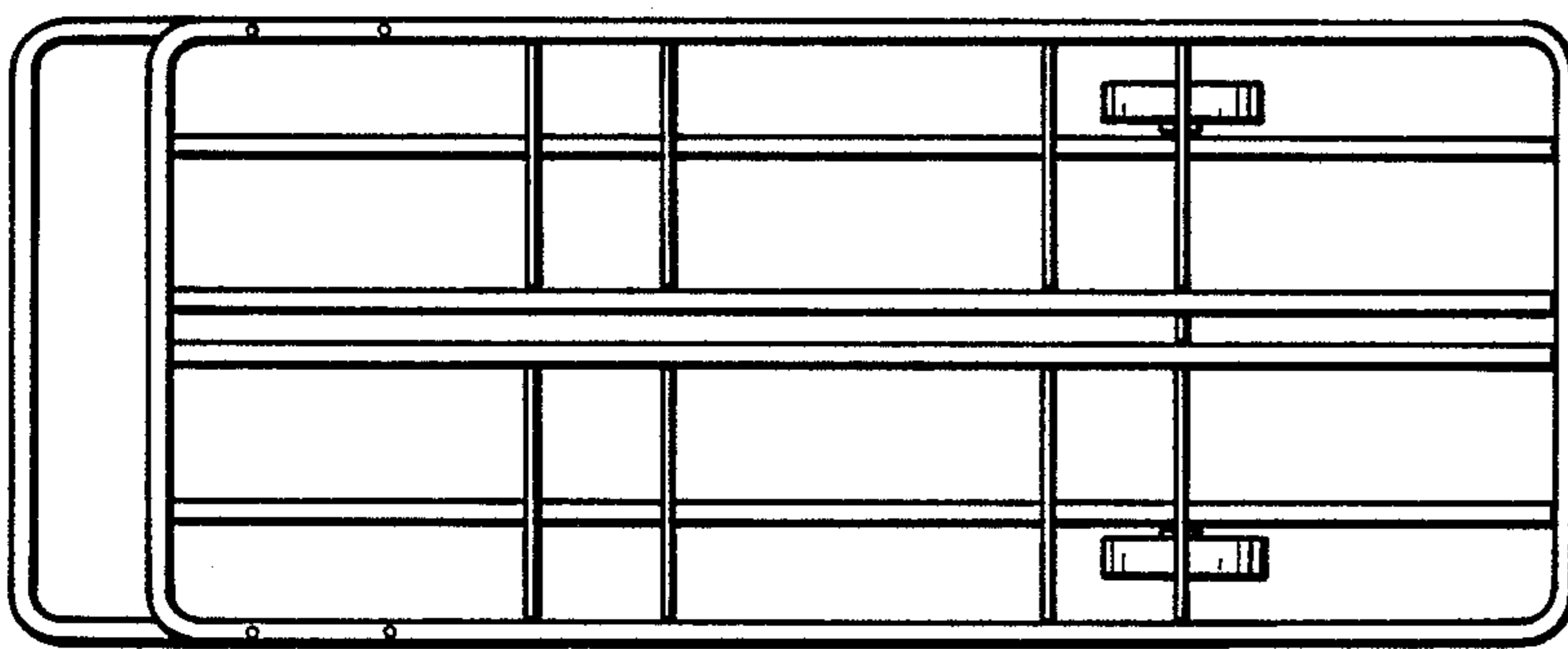
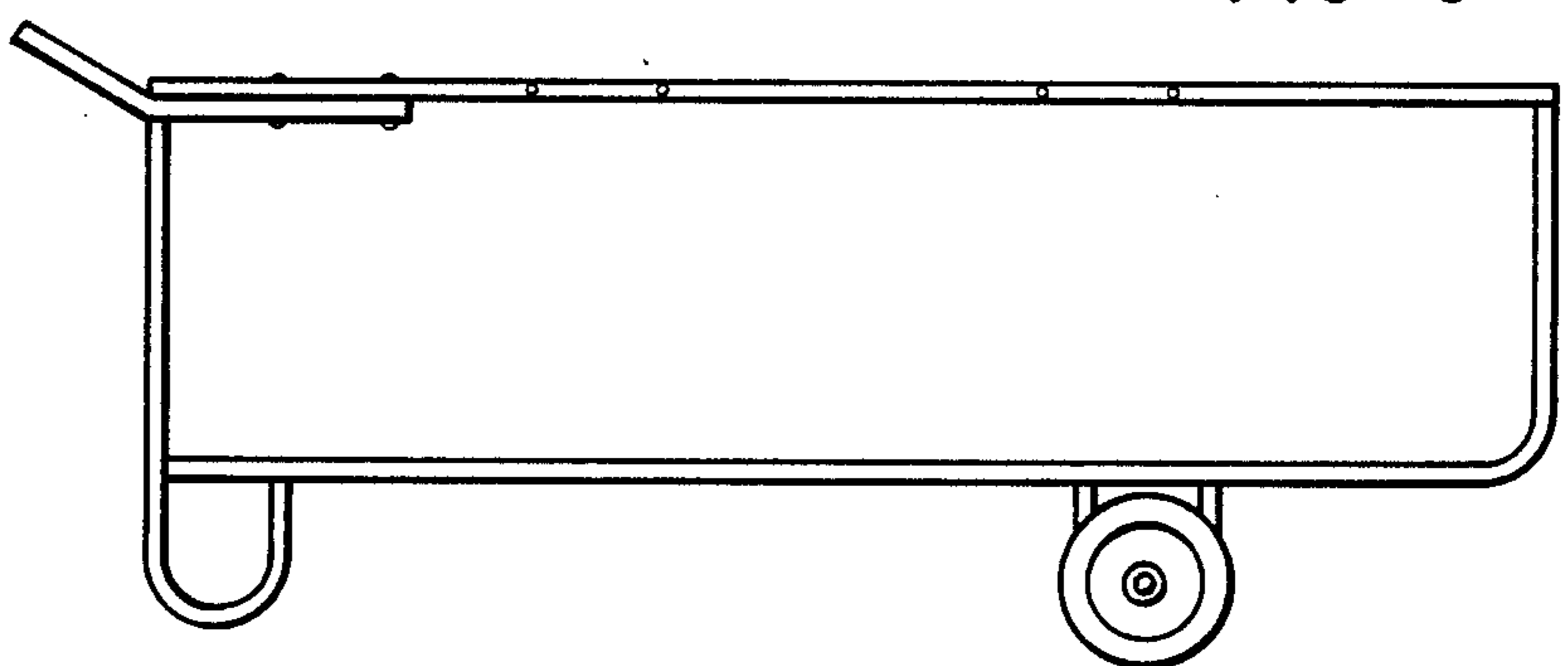


FIG 4

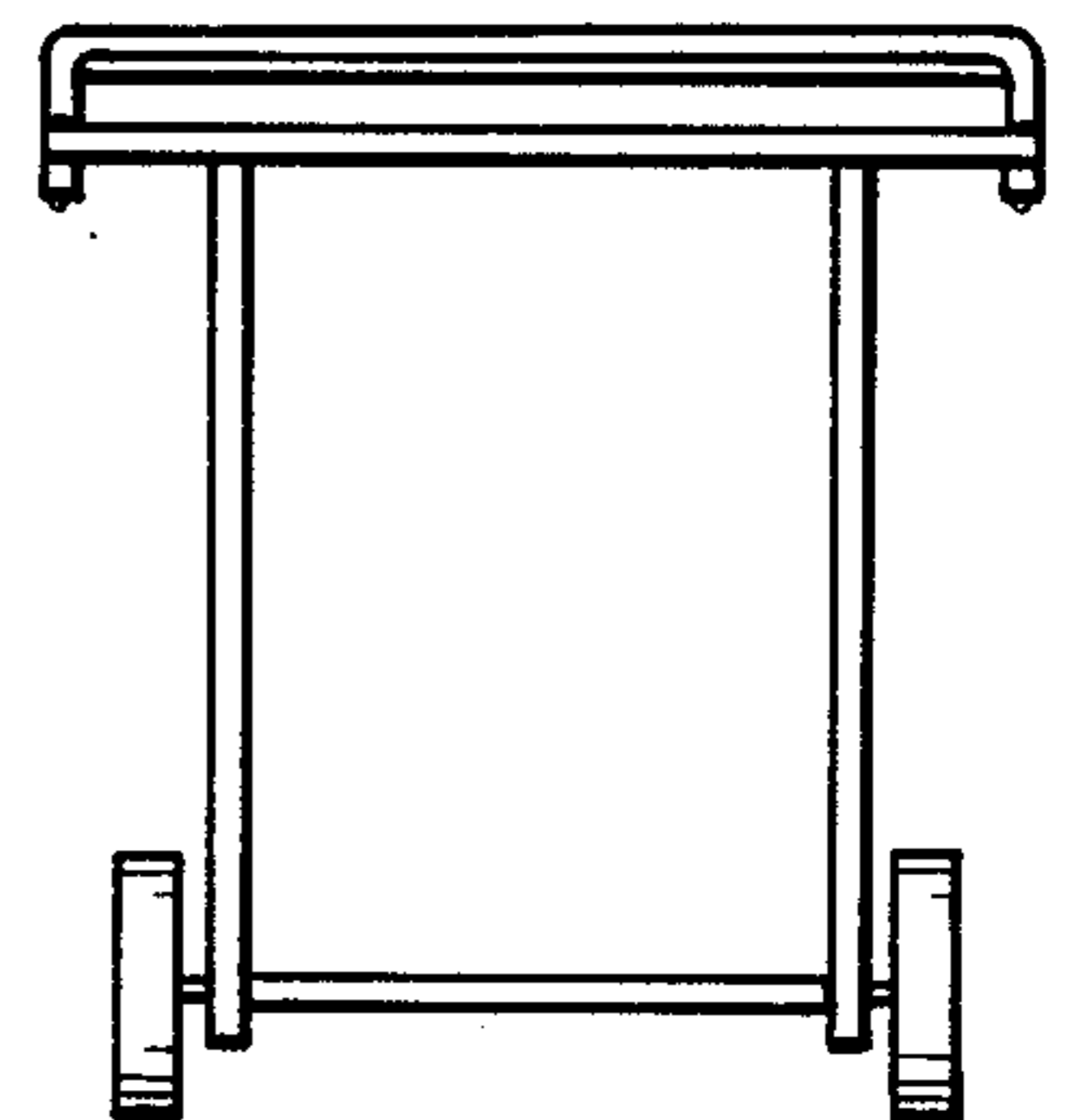


FIG 5

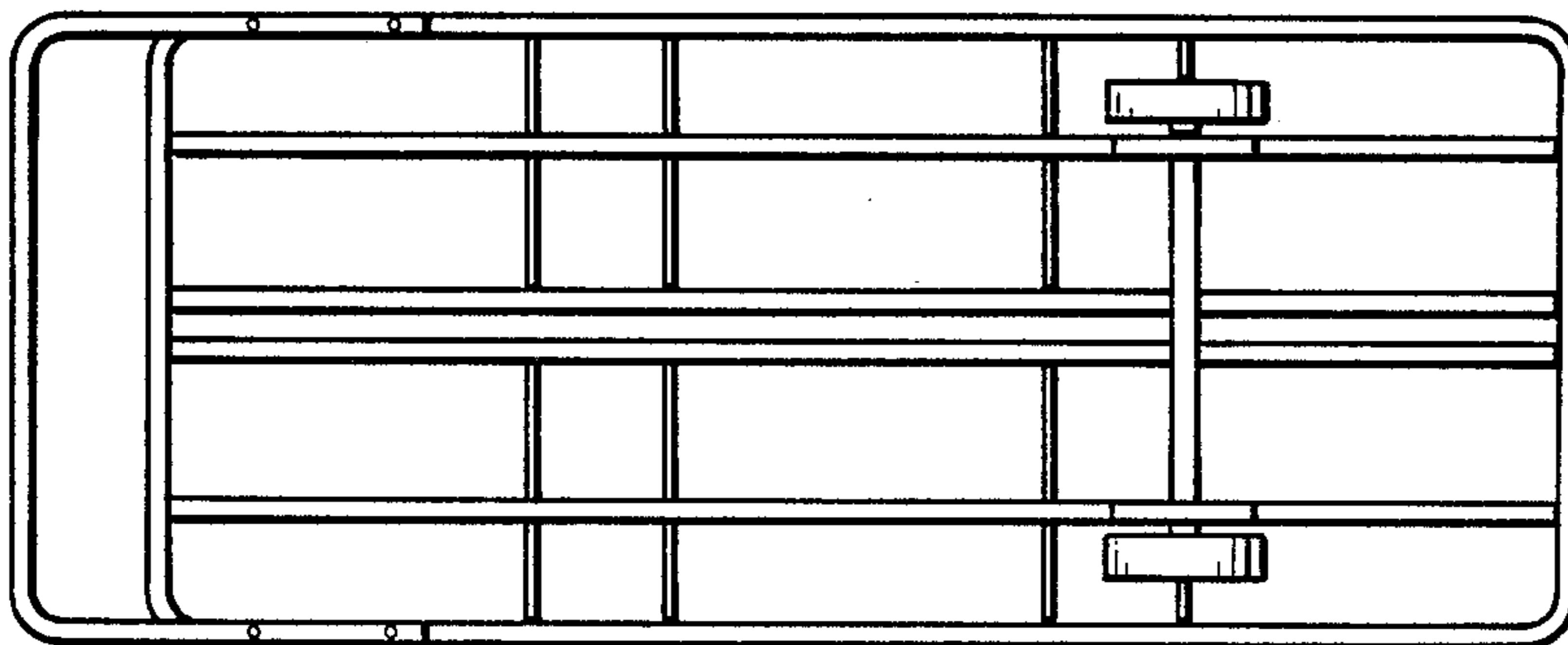


FIG 6