

United States Patent [19]

Arnott et al.

[11] Patent Number: Des. 311,080

[45] Date of Patent: ** Oct. 2, 1990

[54] COMBINED COMPUTER MODULE AND
CART THEREFOR

[75] Inventors: John Arnott; Donald H. Wilson; Gary
Kaga; Vincent Somoza, all of
Toronto, Canada

[73] Assignee: Quantified Signal Imaging, Inc.,
Toronto, Canada

[**] Term: 14 Years

[21] Appl. No.: 168,757

[22] Filed: Mar. 16, 1988

[30] Foreign Application Priority Data

Nov. 9, 1987 [JP] Japan 62-45745

[52] U.S. Cl. D34/21; D14/102

[58] Field of Search D34/12, 14, 17, 19,
D34/20, 21, 23; 280/79.3, 47.35, 79.11, 79.15,
79.1 A; 296/22; D7/307; D6/397; D14/102,
103, 104

[56] References Cited

U.S. PATENT DOCUMENTS

D. 195,465 6/1963 Belknap D14/103
D. 231,103 4/1974 Moeckl D14/103
D. 240,273 6/1976 Patrie D34/20
D. 257,253 10/1980 Fossella et al. D14/103
D. 275,319 8/1984 Okazaki D14/102
D. 287,319 12/1986 Ugalde D34/21
D. 299,345 1/1989 Foy et al. D14/102

Primary Examiner—Wallace R. Burke

Assistant Examiner—Kay H. Chin

Attorney, Agent, or Firm—Bell, Seltzer, Park & Gibson

[57] CLAIM

The ornamental design for a combined computer mod-
ule and cart therefor, as shown and described.

DESCRIPTION

FIG. 1 is a front and top perspective view of a com-
bined computer module and cart therefor showing our
new design;

FIG. 2 is a rear perspective view thereof;

FIG. 3 is a front elevational view thereof;

FIG. 4 is a top plan view thereof;

FIG. 5 is a rear elevational view thereof;

FIG. 6 is a left side elevational view thereof; and

FIG. 7 is a right side elevational view thereof.

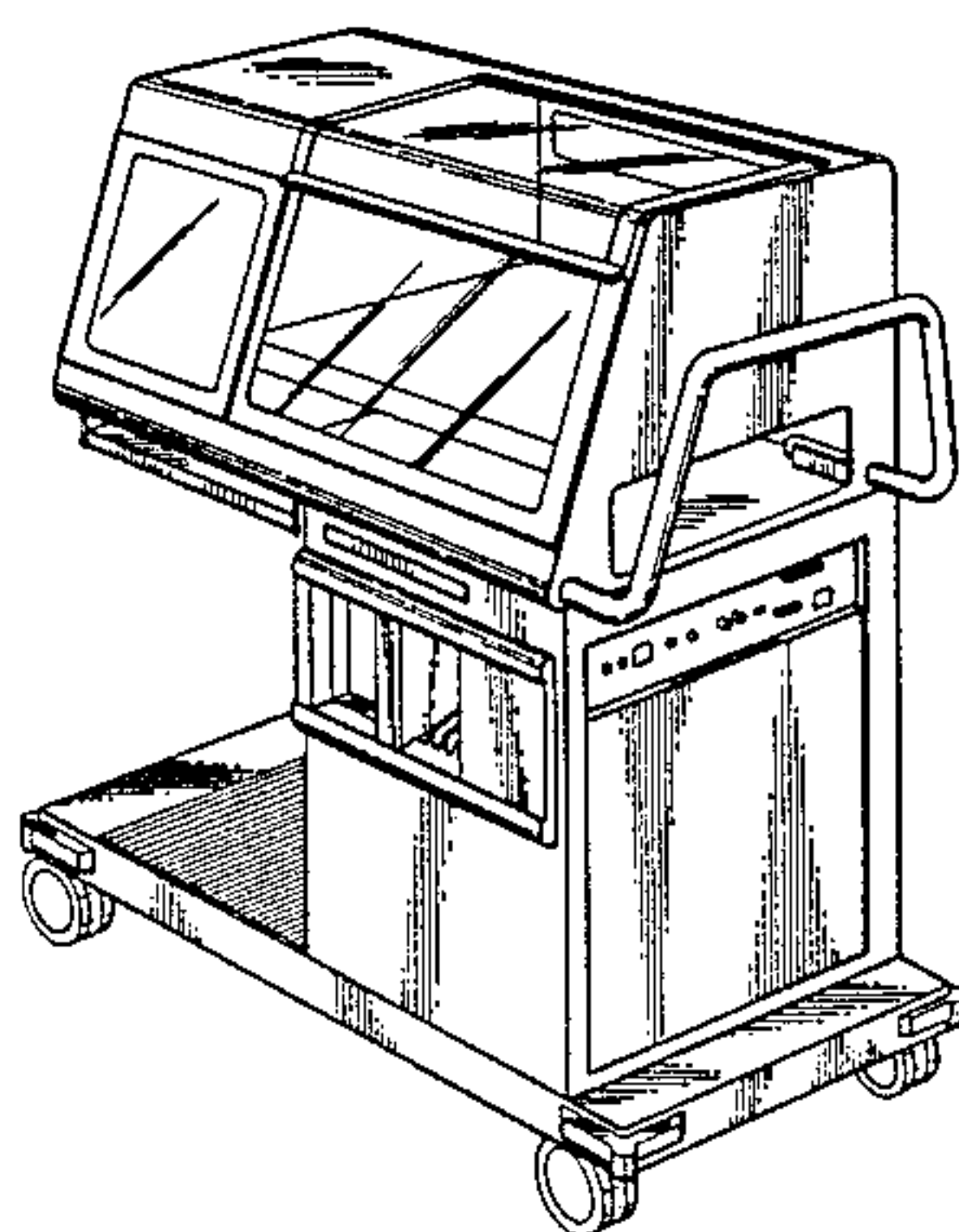


FIG. 1.

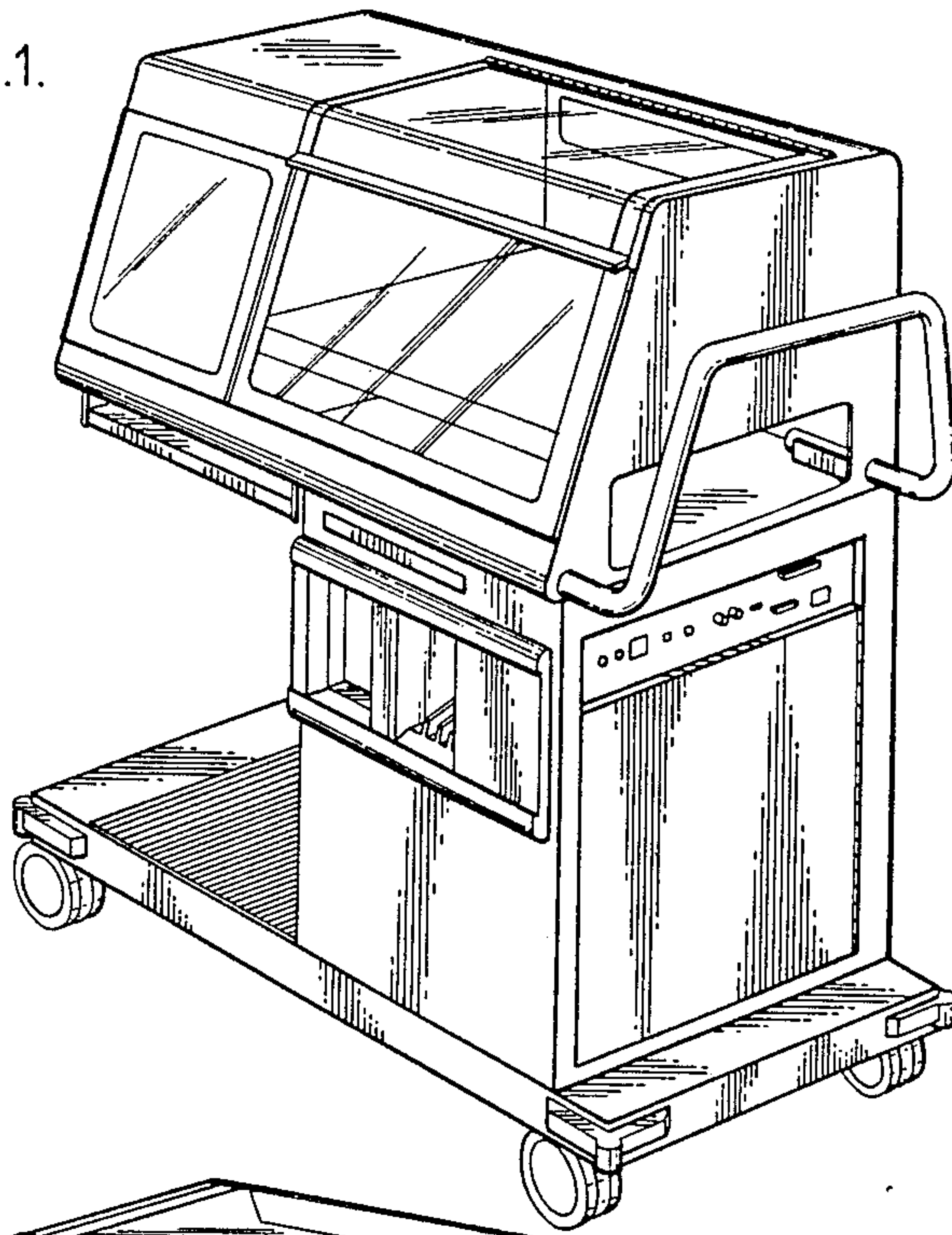


FIG. 2.

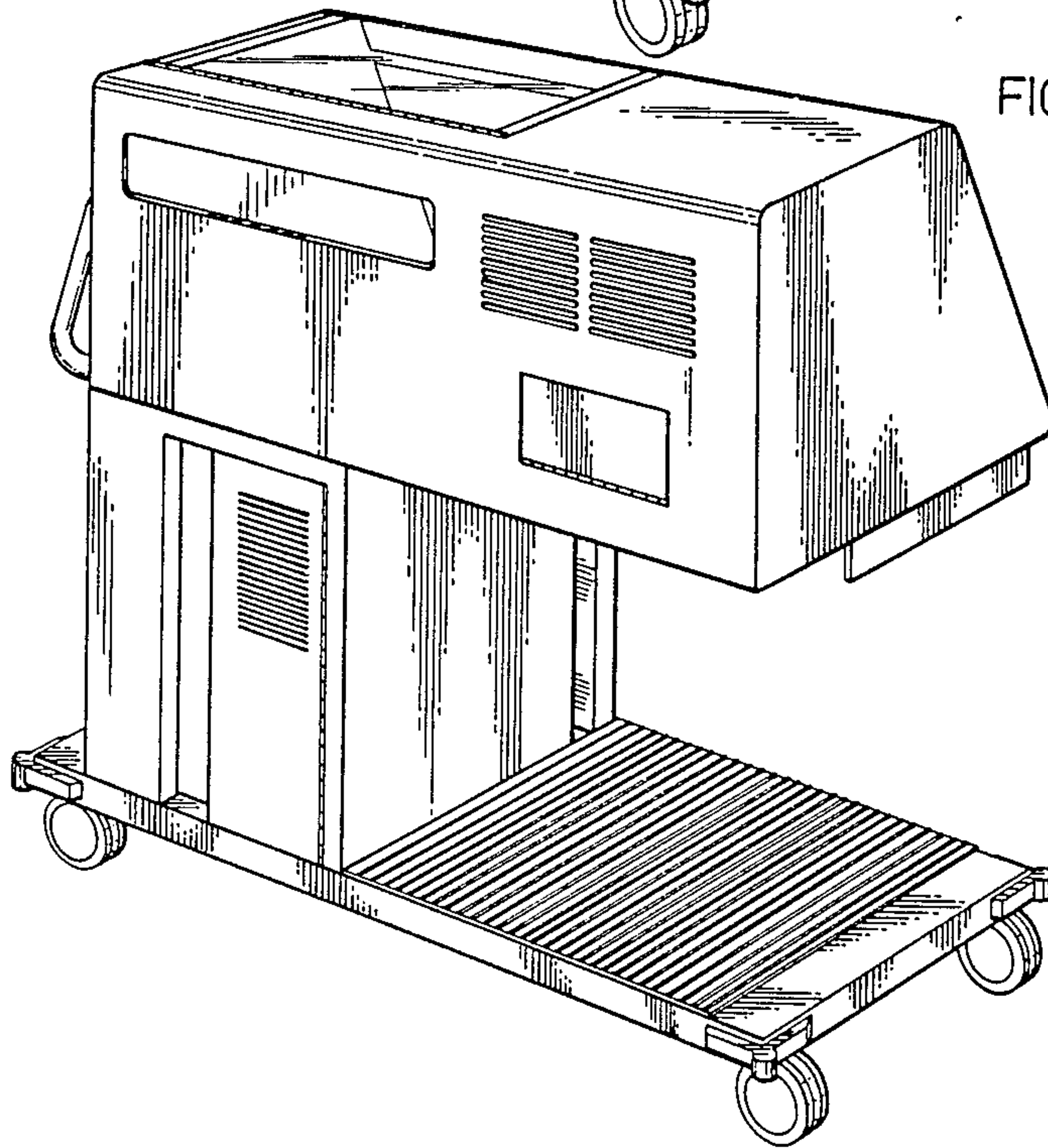


FIG. 3.

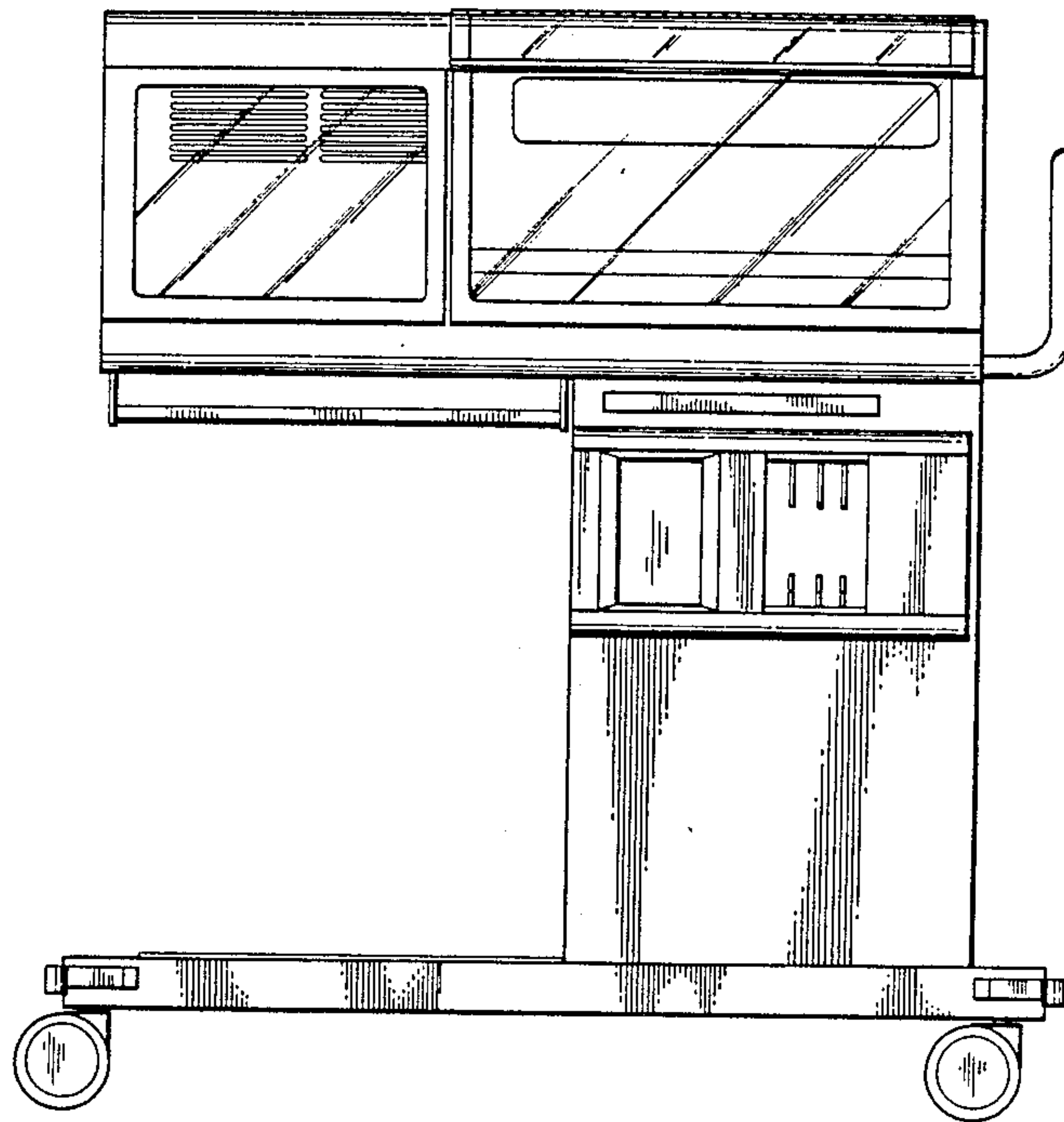


FIG. 4.

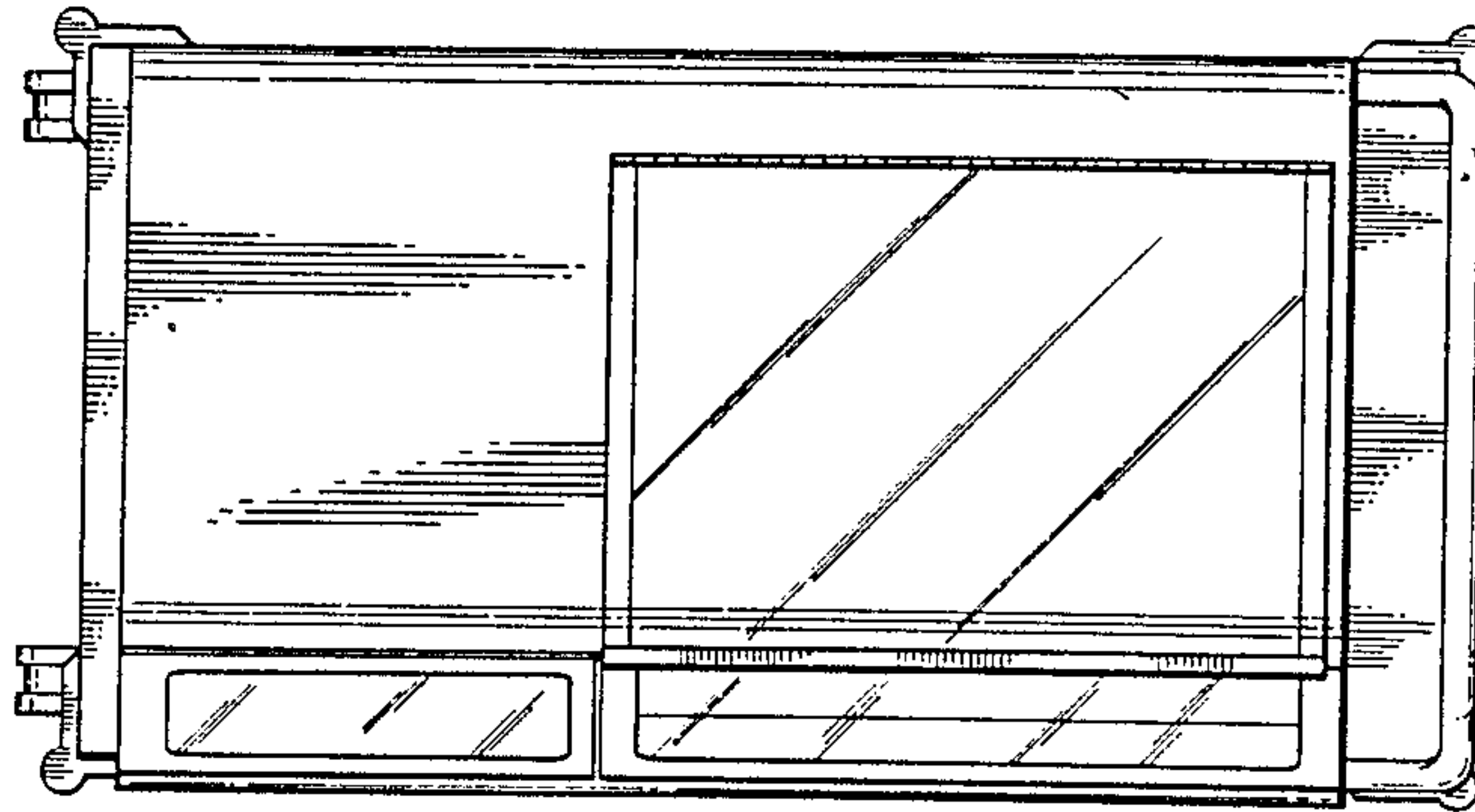
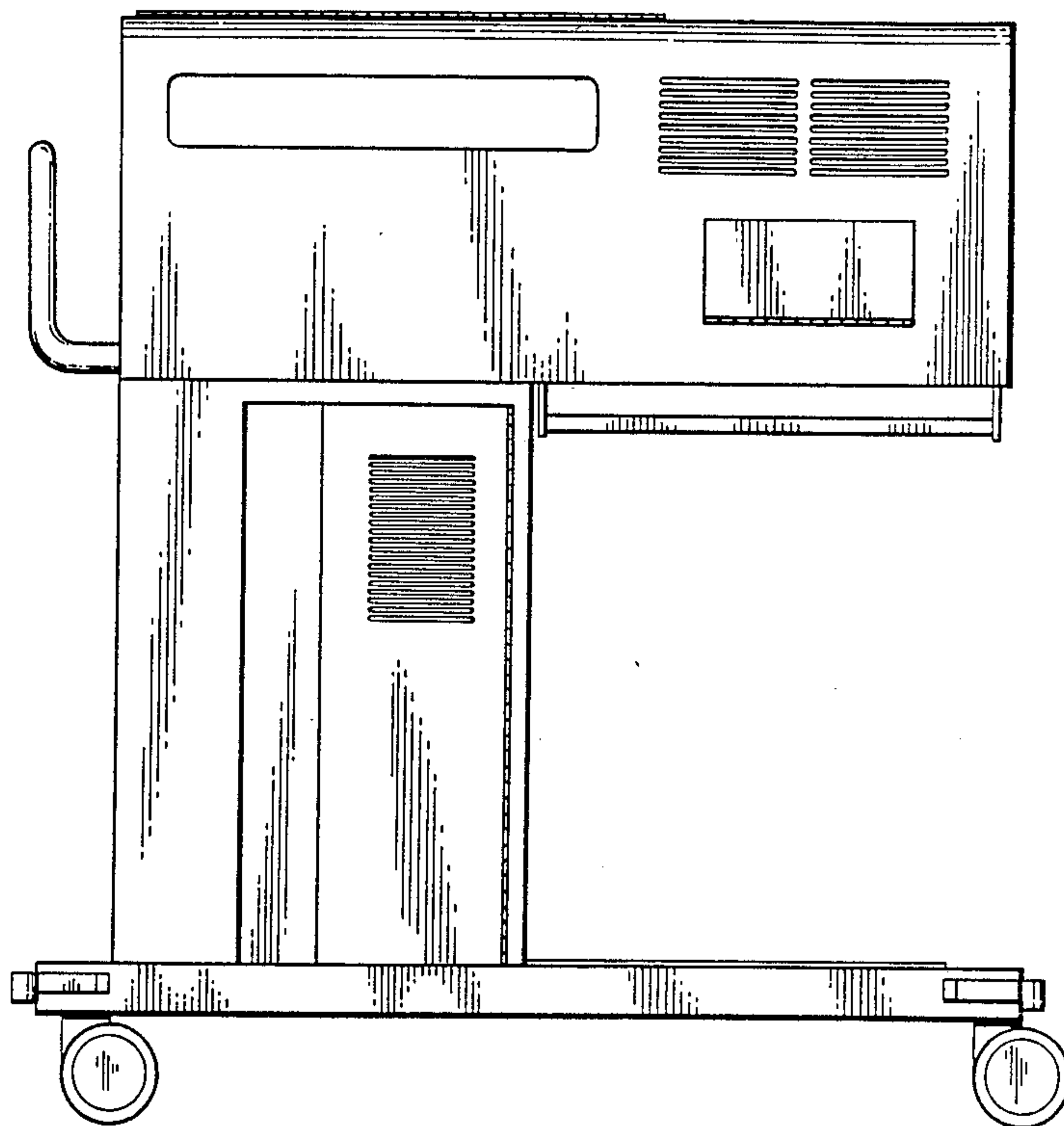


FIG. 5.



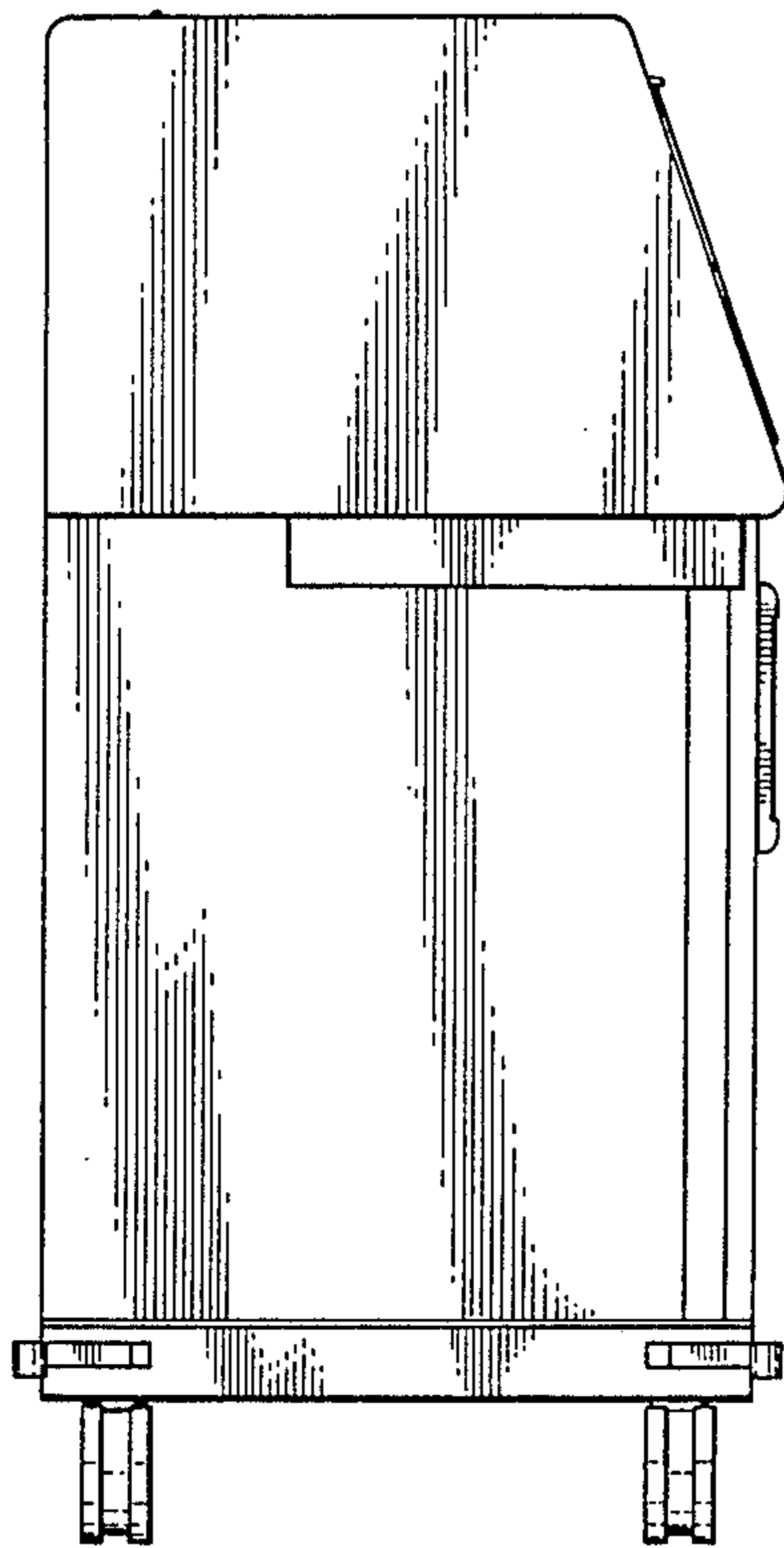


FIG. 6.

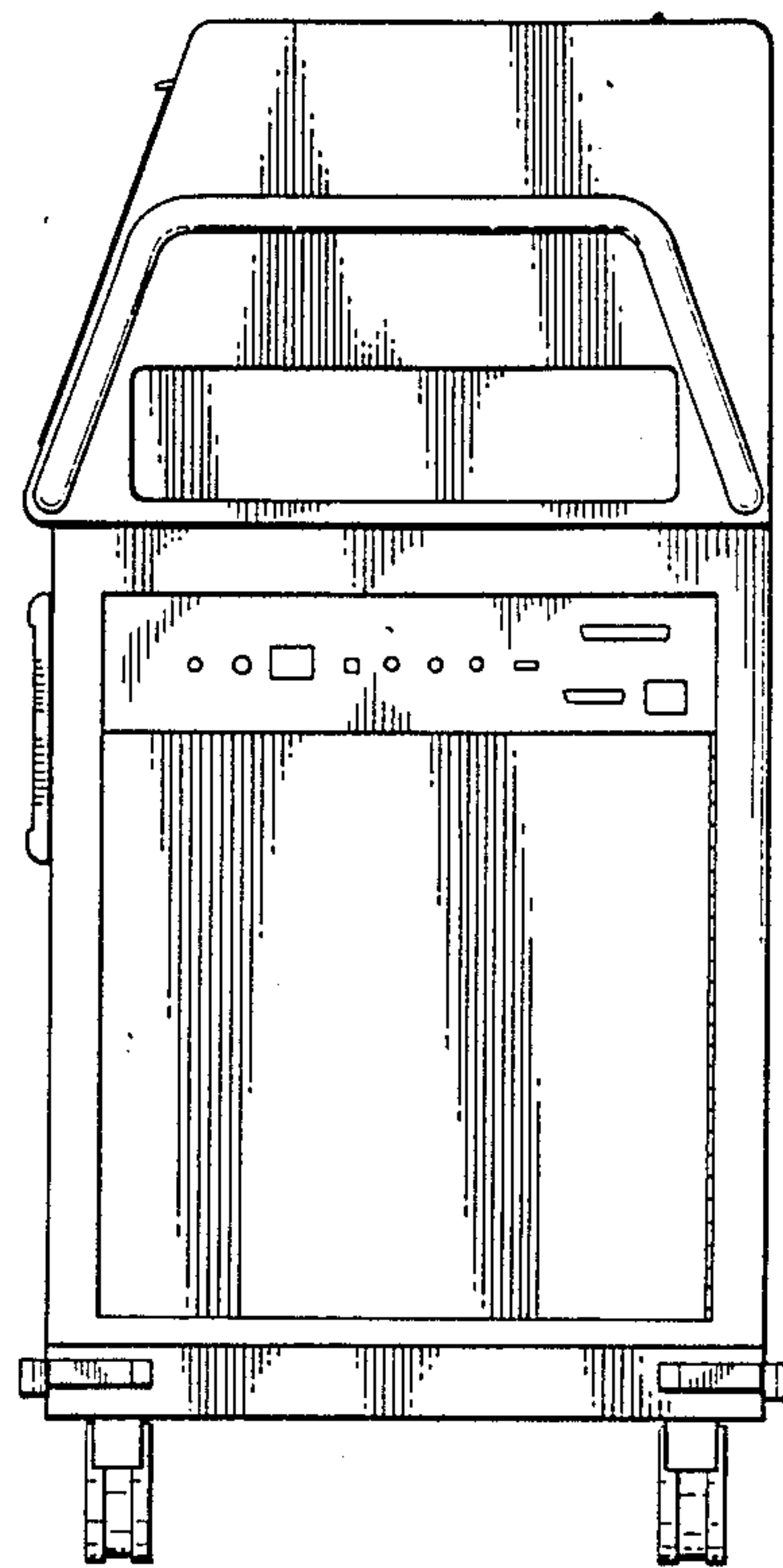


FIG. 7.