

[54] FOLDING GOLF CART  
 [75] Inventor: Larry D. Blake, Ogden, Utah  
 [73] Assignee: Wasatch Fiber Group, Inc., Ogden, Utah  
 [\*\*] Term: 14 Years  
 [21] Appl. No.: 145,209  
 [22] Filed: Jan. 19, 1988  
 [52] U.S. Cl. .... D34/15; D34/26  
 [58] Field of Search ..... D34/12, 15, 24, 26, D34/23; 280/645, 652, 641, 47.24, 47.27, DIG. 6; 297/16

4,037,858 7/1977 Adams ..... 280/652  
 4,869,526 9/1989 Blake ..... 280/652

Primary Examiner—Wallace R. Burke  
 Assistant Examiner—Kay H. Chin  
 Attorney, Agent, or Firm—Spensley Horn Jubas & Lubitz

[57] CLAIM

The ornamental design for a folding golf cart, as shown and described.

DESCRIPTION

FIG. 1 is a front and top perspective view of a folding golf cart showing my new design;  
 FIG. 2 is a top plan view thereof;  
 FIG. 3 is a side elevational view thereof, the opposite side view being a mirror image of that shown;  
 FIG. 4 is a bottom plan view thereof;  
 FIG. 5 is a front elevational view thereof; and  
 FIG. 6 is a rear elevational view thereof.

[56] References Cited

U.S. PATENT DOCUMENTS

D. 292,038 9/1987 Hsieh ..... D34/15  
 D. 300,577 4/1989 Pope et al. .... D34/15  
 3,467,405 9/1969 Fogg ..... D34/26

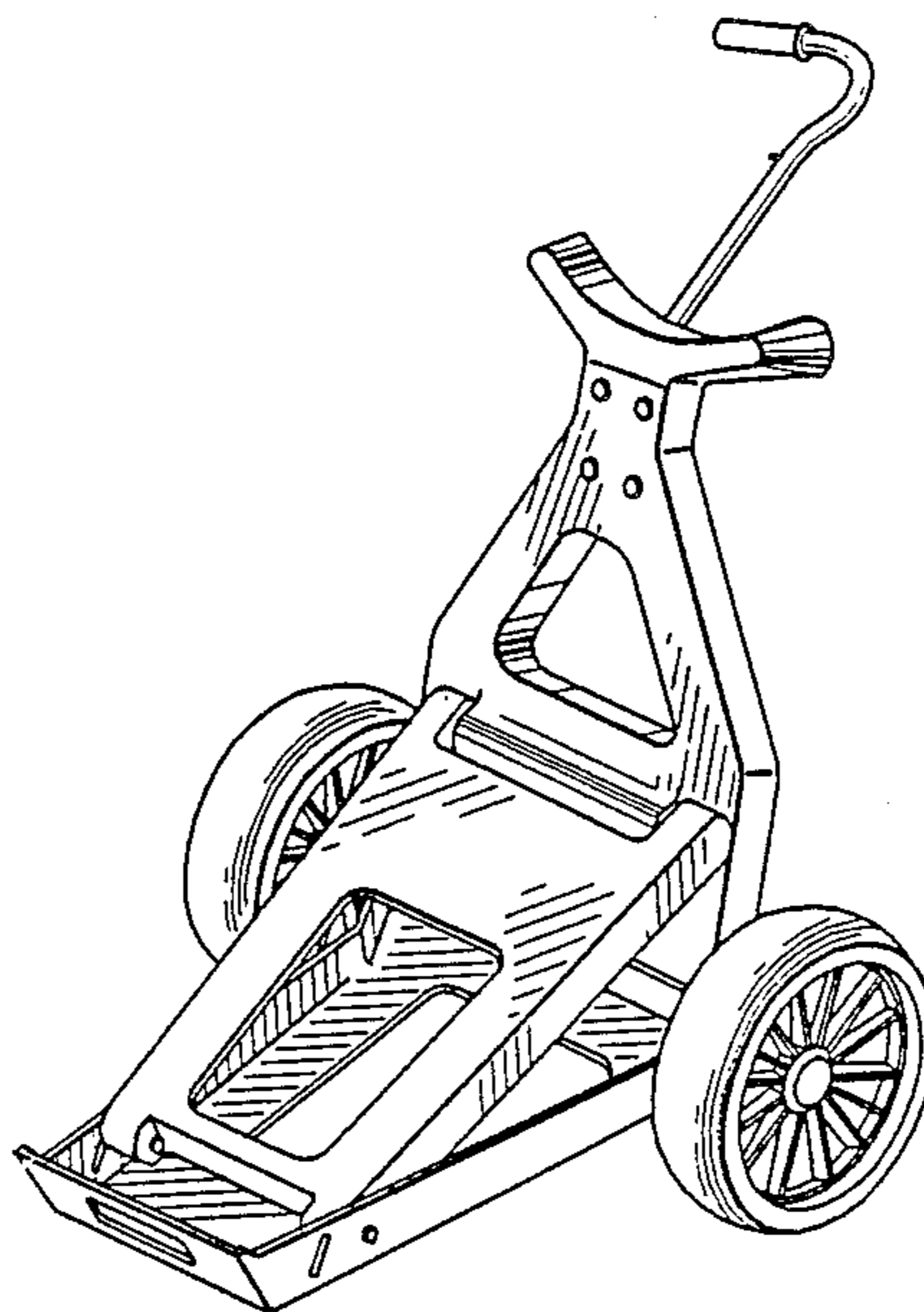


FIG. 1

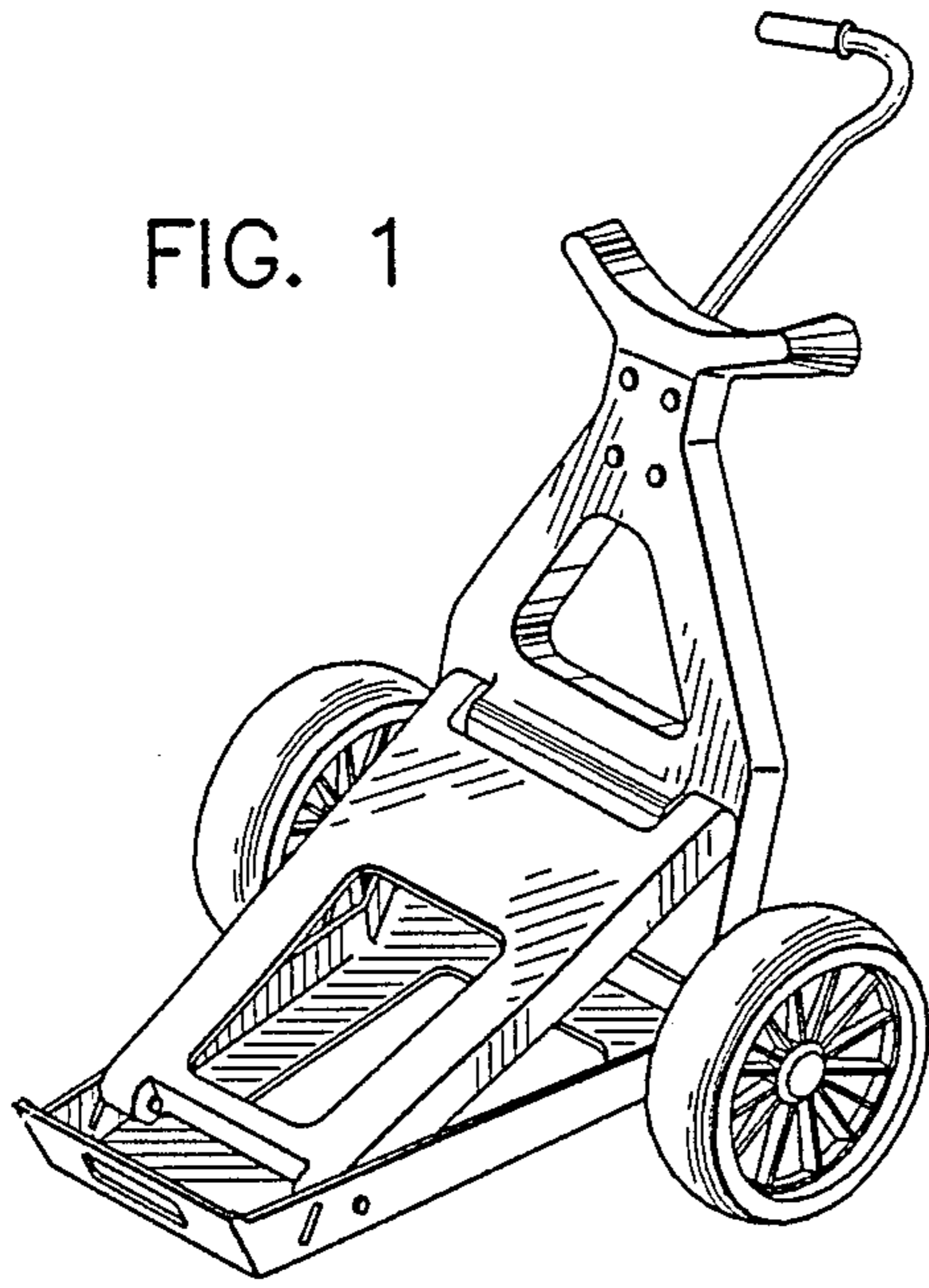


FIG. 2

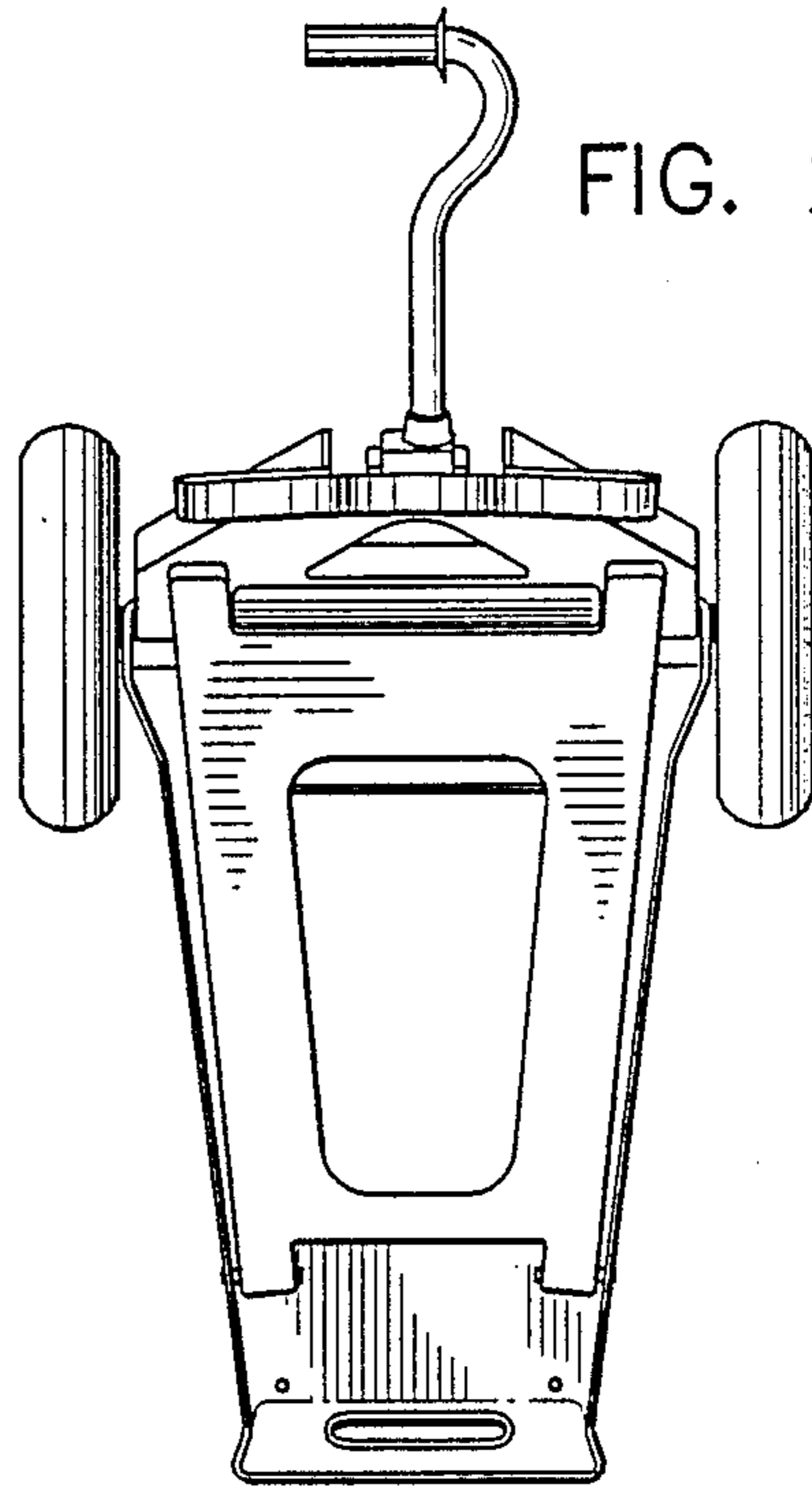
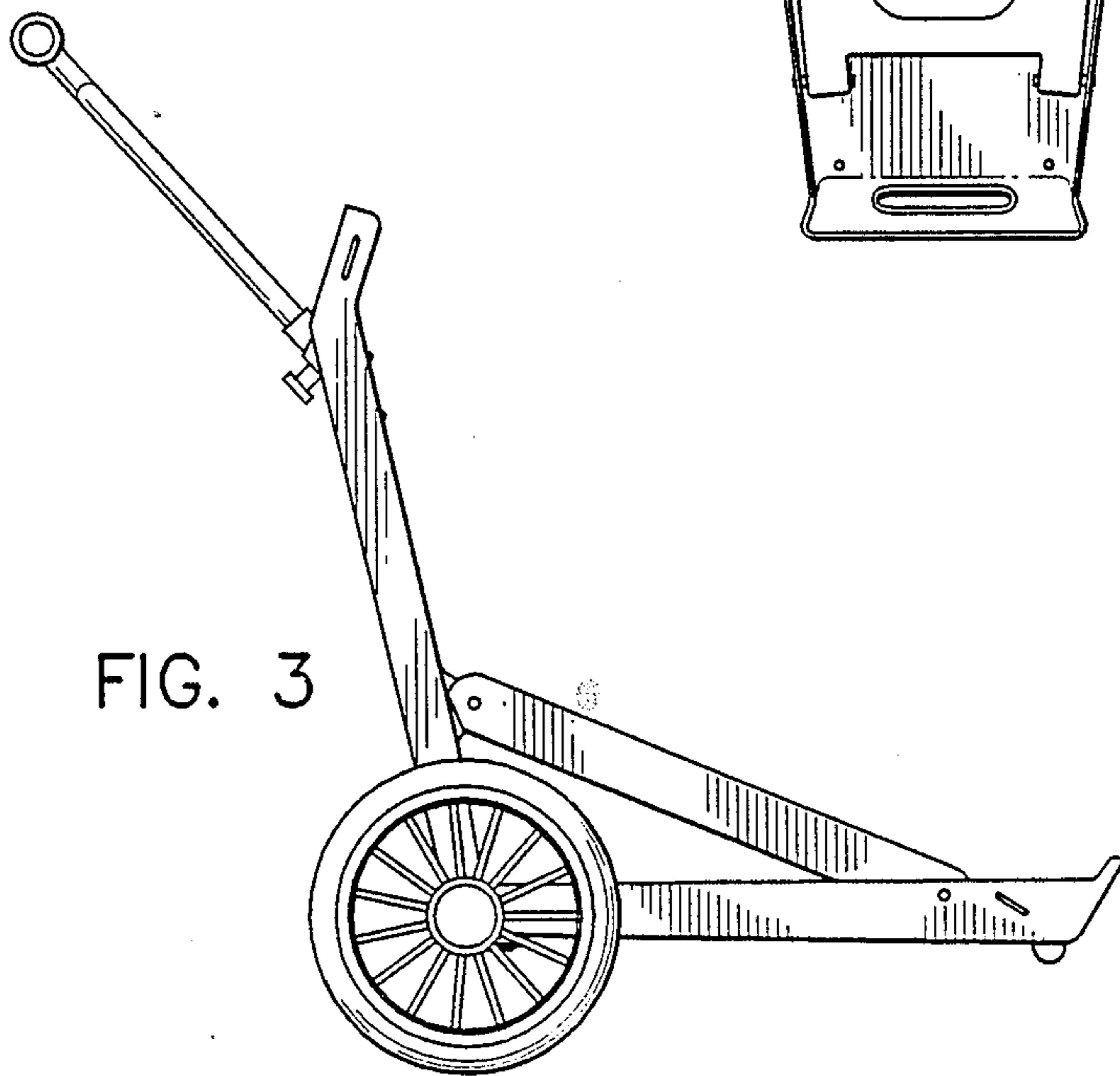


FIG. 3



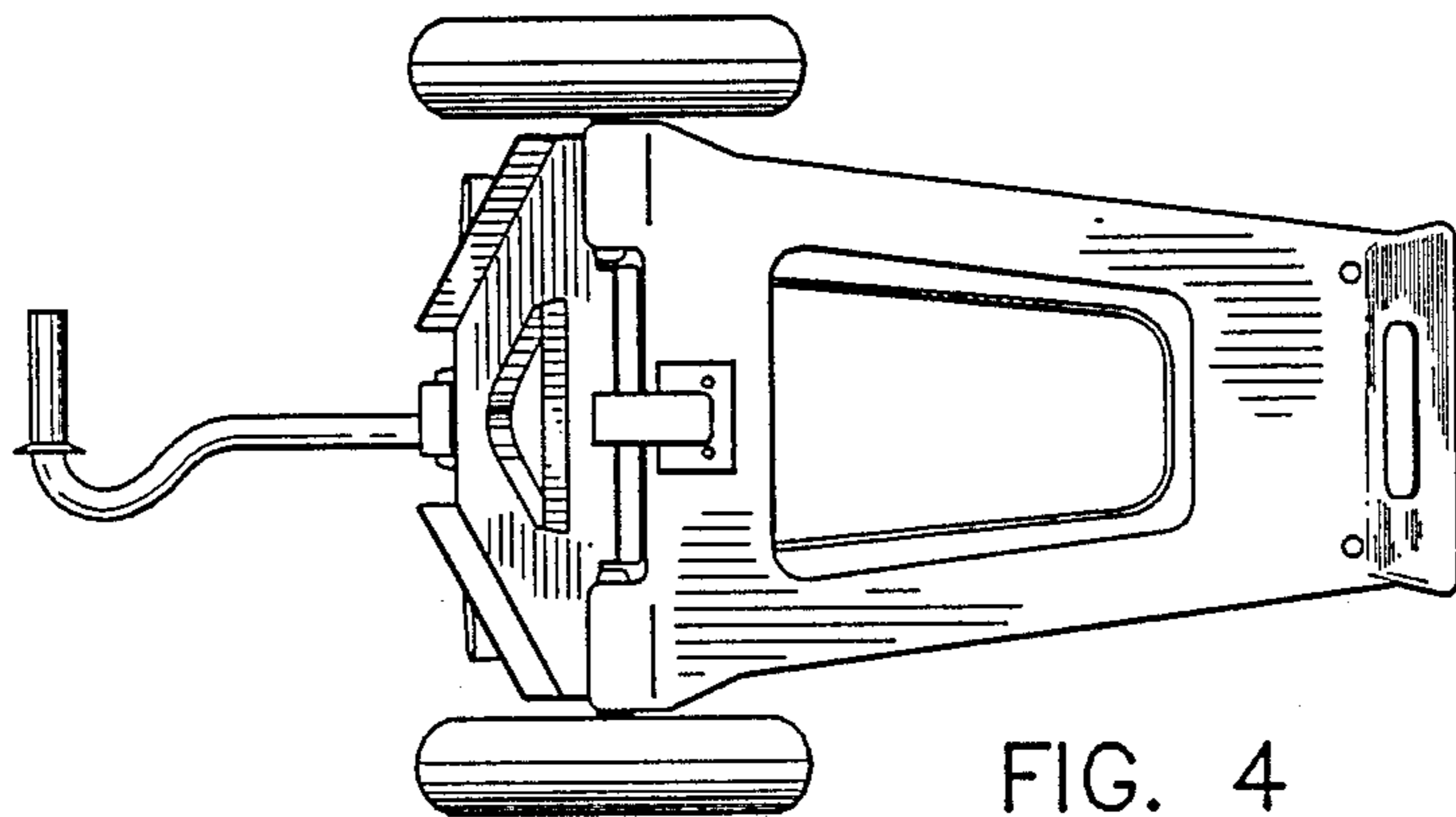


FIG. 4

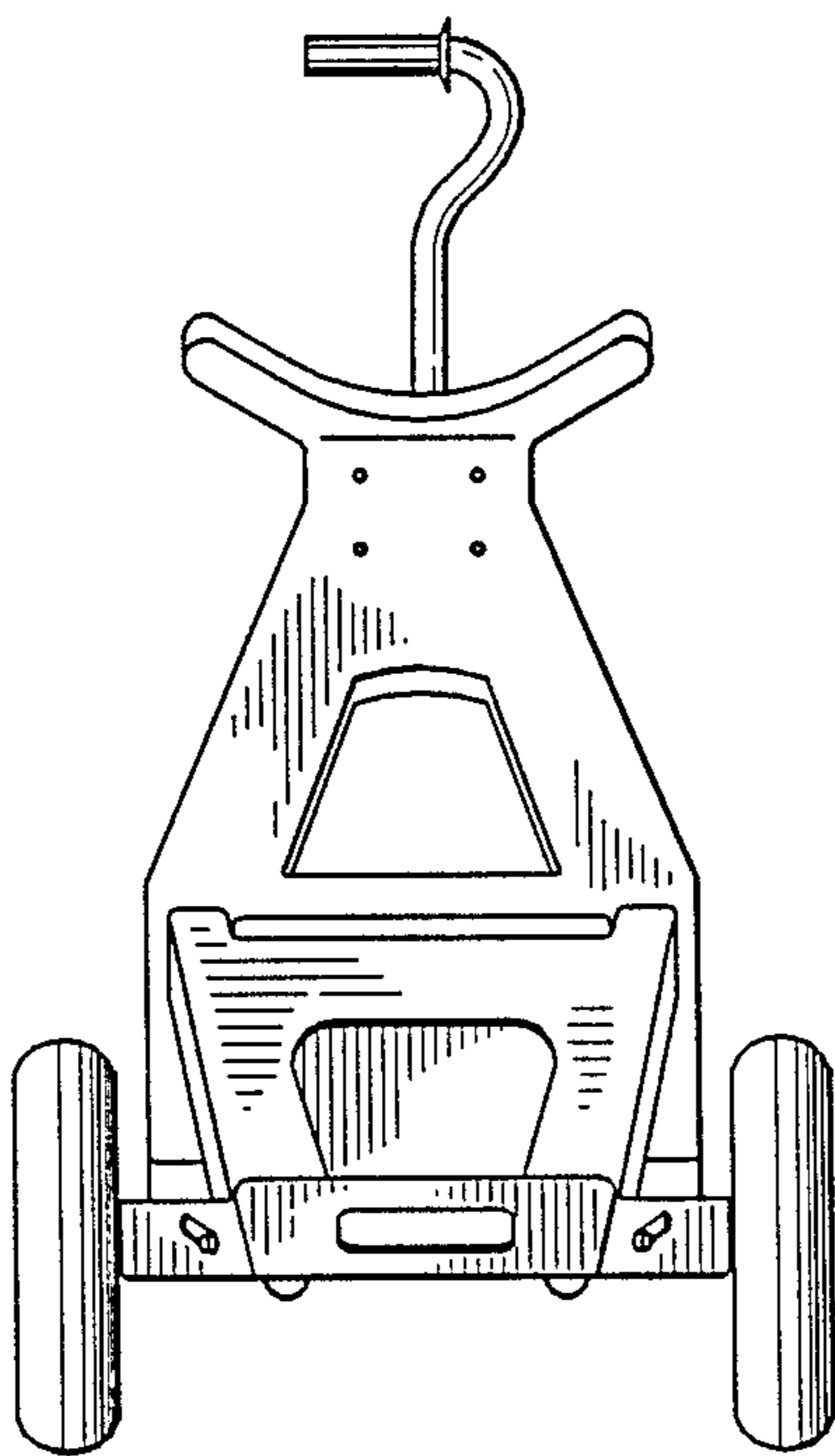


FIG. 5

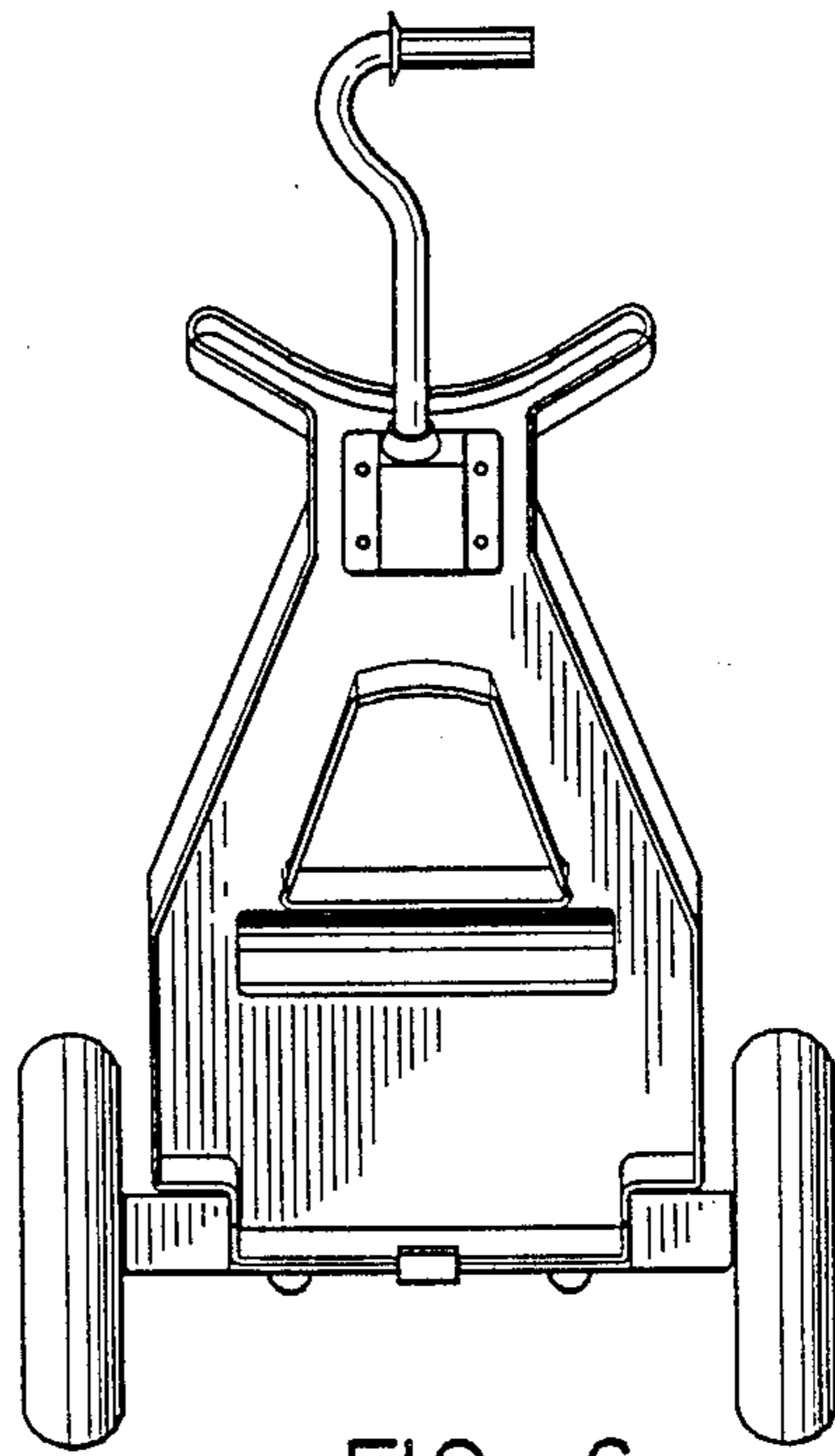


FIG. 6