

[54] **LIPSTICK CASE**

[75] **Inventor: Karena Bakic, Varese, Italy**

[73] **Assignee: Cosmede Anstalt, Vaduz, Liechtenstein**

[**] **Term: 14 Years**

[21] **Appl. No.: 140,328**

[22] **Filed: Jan. 4, 1988**

[30] **Foreign Application Priority Data**

Jul. 3, 1987 [DE] Fed. Rep. of Germany URA918/87

[52] **U.S. Cl. D28/85**

[58] **Field of Search D28/73, 76, 85-91.1; D3/39, 30.1; 206/235, 385, 581, 823; 220/DIG. 26; D9/430**

[56] **References Cited**

U.S. PATENT DOCUMENTS

- D. 80,211 12/1929 Acker D28/85
- D. 85,737 2/1930 Wagner D9/377
- D. 180,382 5/1957 Wassyng D28/85
- D. 275,511 7/1985 Matsubara D28/91.1
- D. 287,339 12/1986 Dominski D9/377

Primary Examiner—Bernard Ansher
Assistant Examiner—C. Tuttle
Attorney, Agent, or Firm—Kenyon & Kenyon

[57] **CLAIM**

The ornamental design for a lipstick case, as shown and described.

DESCRIPTION

- FIG. 1 is a top perspective view of a lipstick case showing my new design;
- FIG. 2 is an exploded perspective view thereof;
- FIG. 3 is a bottom plan view thereof;
- FIG. 4 is a front elevational view thereof;
- FIG. 5 is a side elevational view thereof;
- FIG. 6 is a top plan view thereof.

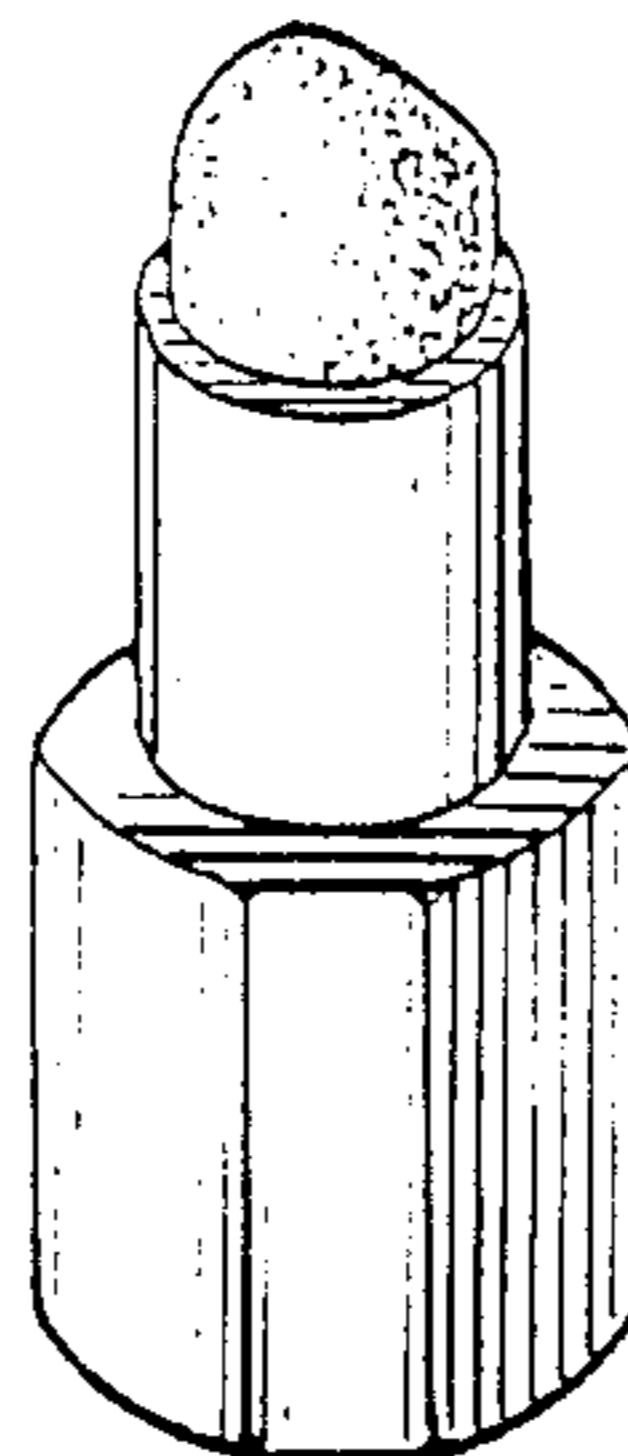
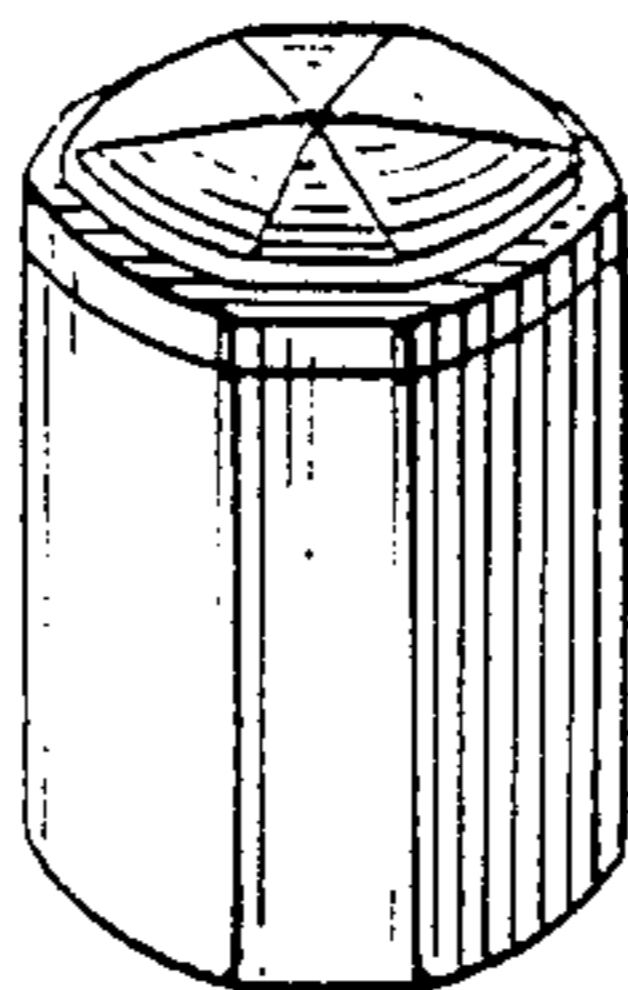


FIG. 1

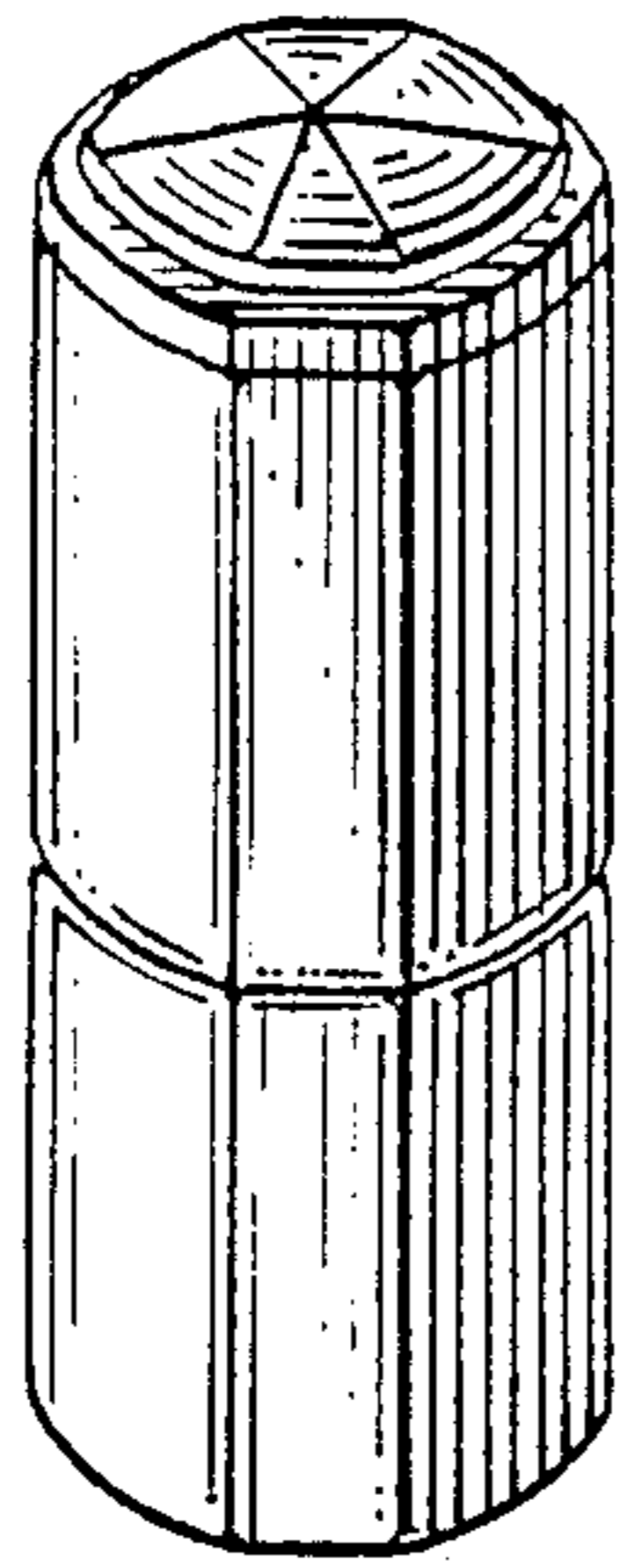


FIG. 2

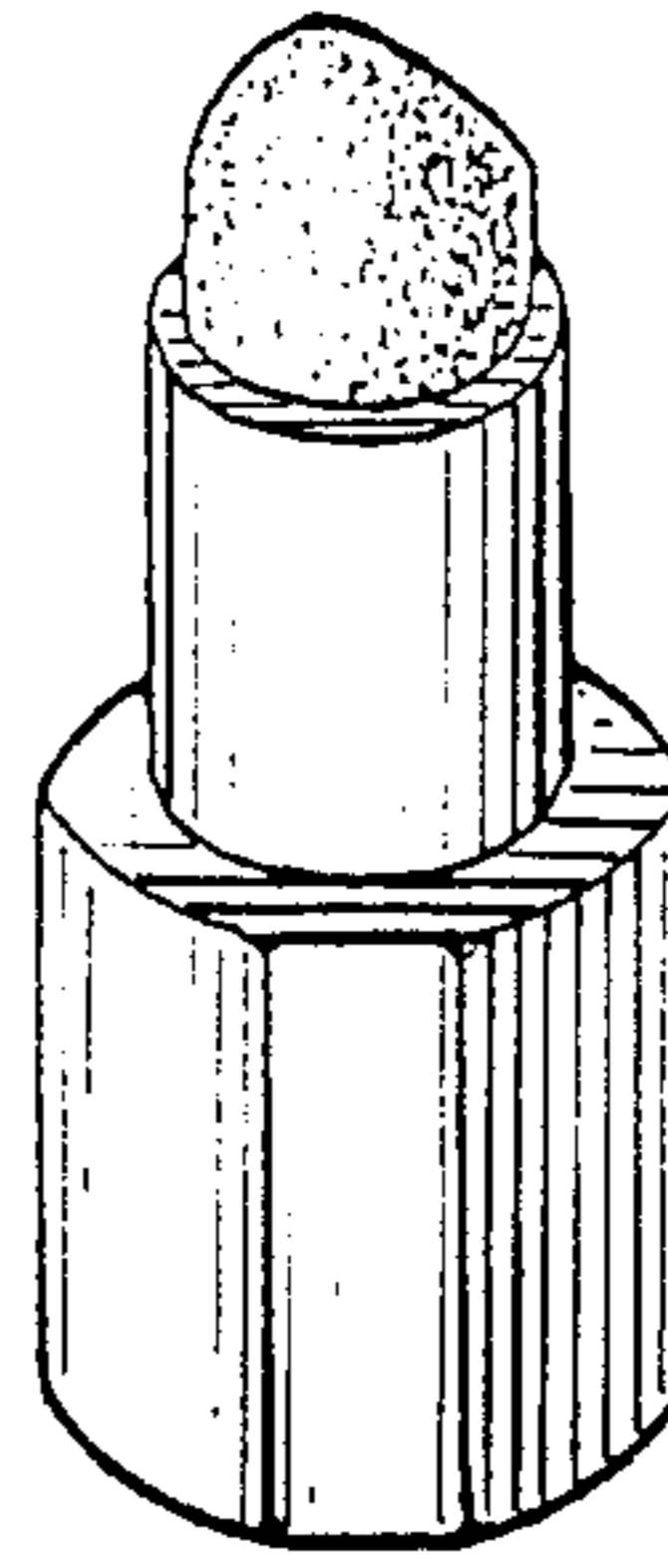
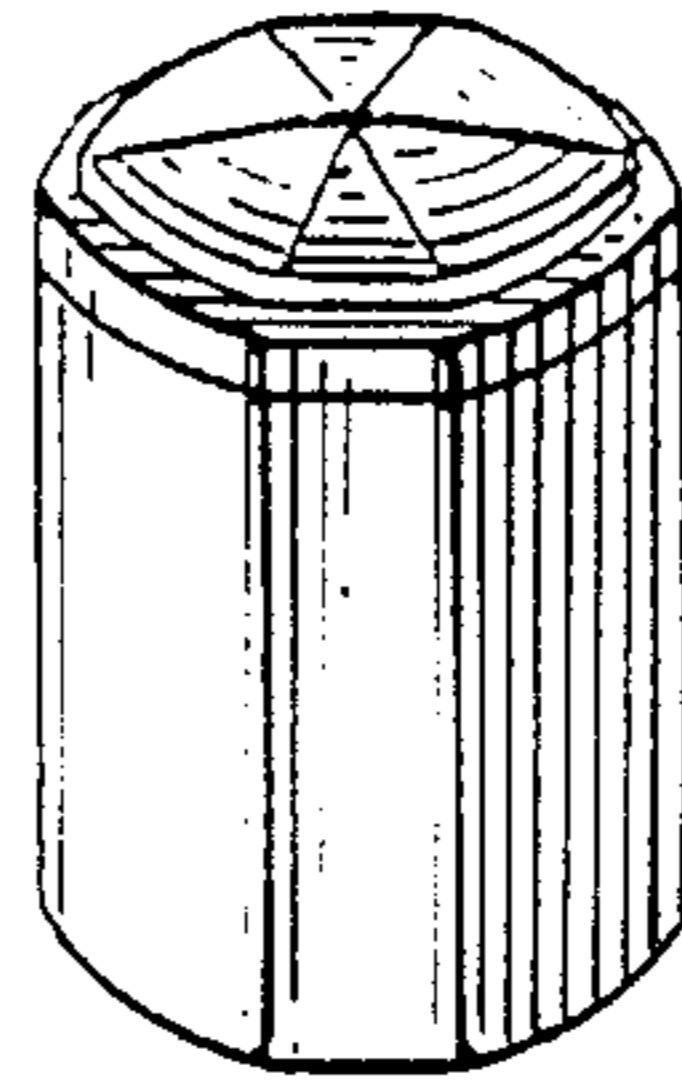


FIG. 3

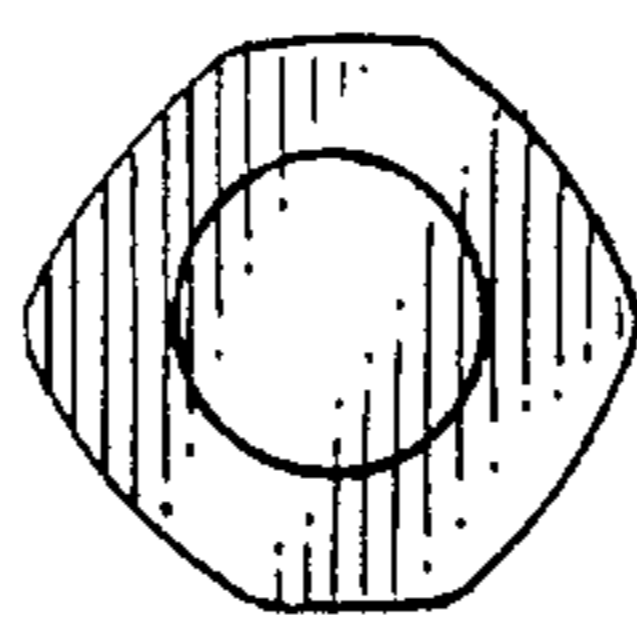


FIG. 4

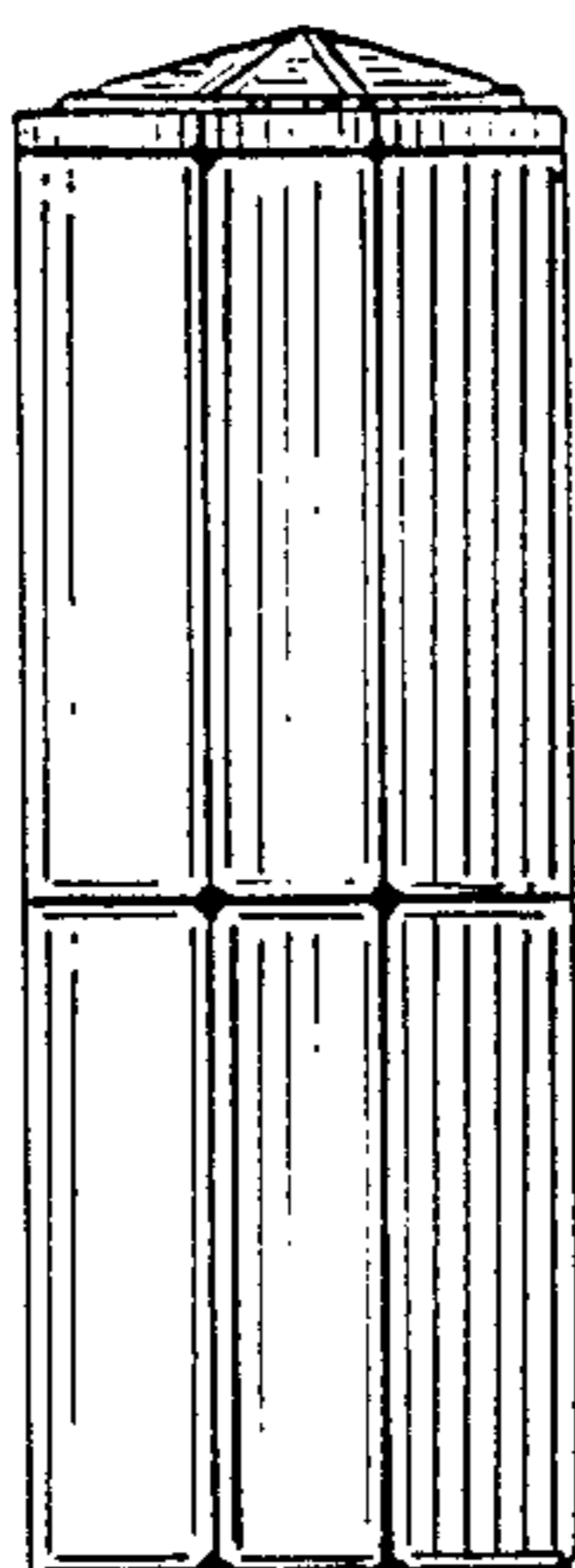


FIG. 5

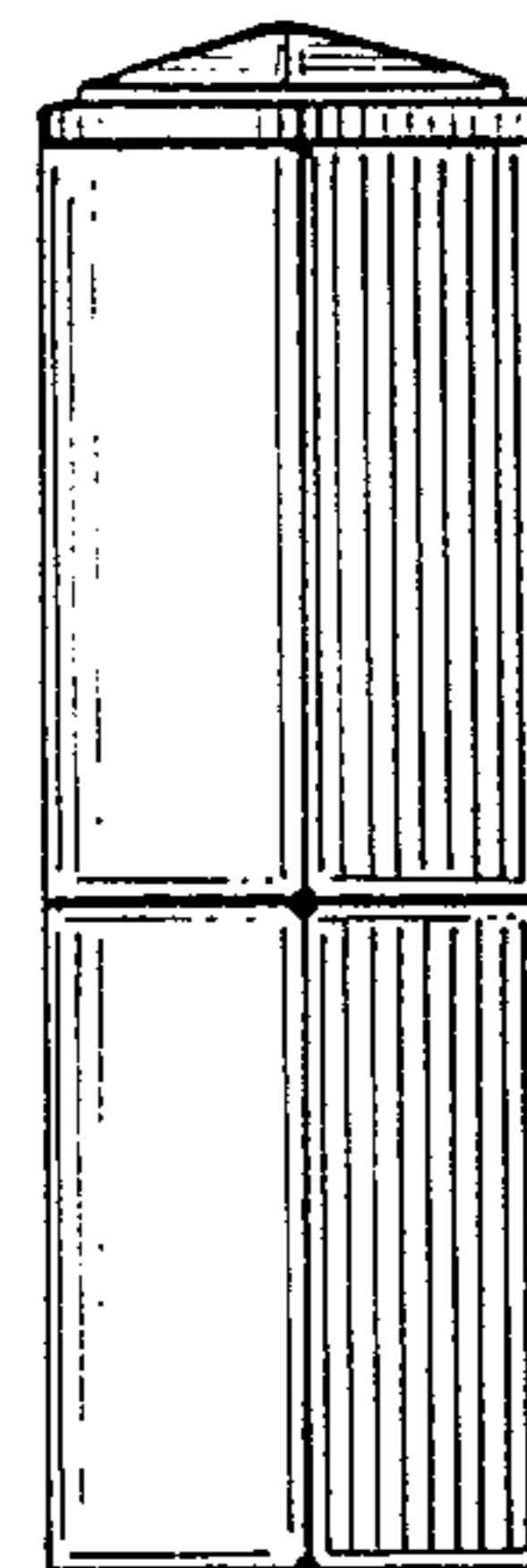


FIG. 6

