

[54] MAKE-UP CASE

[75] Inventor: Stefano, Vanoncini, Milan, Italy

[73] Assignee: Brivaplast S.r.l., Milan, Italy

[**] Term: 14 Years

[21] Appl. No.: 10,578

[22] Filed: Feb. 3, 1987

[52] U.S. Cl. D28/77; D3/39

[58] Field of Search D28/38, 61, 73-91, D28/25; D3/39; D9/420; 220/DIG. 26; 206/235, 385, 581, 823; 362/135-137; 132/286, 288, 293, 294, 297-301, 303-305, 313-318

[56] References Cited

U.S. PATENT DOCUMENTS

- D. 190,828 7/1961 Moser D28/73
- D. 208,842 10/1967 Burkhardt D28/77
- D. 240,868 8/1976 Legere D28/25

- D. 281,731 12/1985 Phu D28/77 X
- D. 285,128 8/1986 Yuen D28/77 X
- 3,099,272 7/1963 Paradis D28/76 X
- 3,502,089 3/1970 Paradis 132/294

Primary Examiner—Louis S. Zarfes

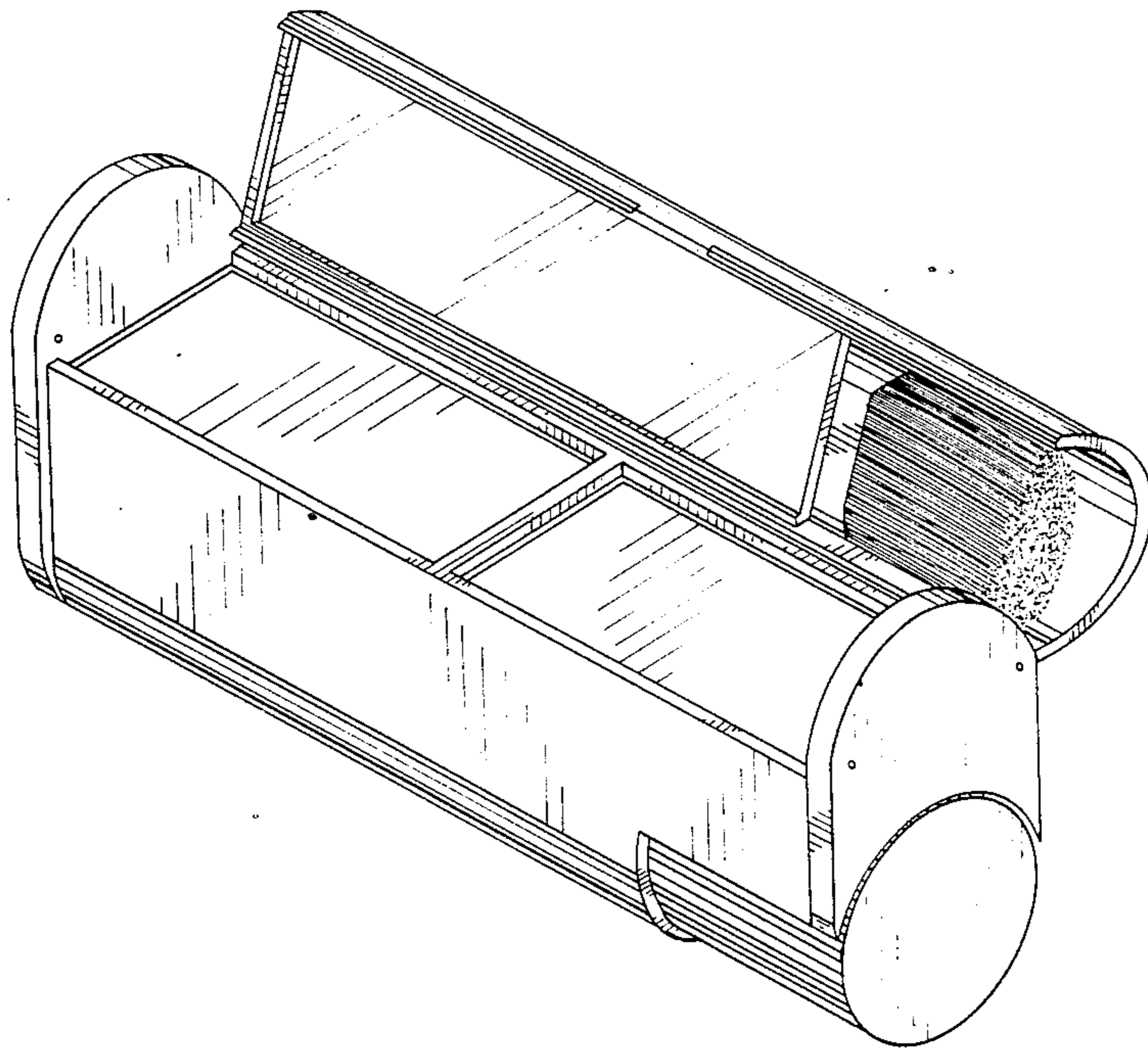
Attorney, Agent, or Firm—Laff, Whitesel, Conte & Saret

[57] CLAIM

The ornamental design for a make-up case, as shown and described.

DESCRIPTION

FIG. 1 is a perspective view of a make-up case showing my new design in open condition;
 FIG. 2 is a front elevational view in closed condition;
 FIG. 3 is a rear elevational view thereof;
 FIG. 4 is a right side elevational view;
 FIG. 5 is a left side elevational view;
 FIG. 6 is a top plan view; and
 FIG. 7 is a bottom plan view.



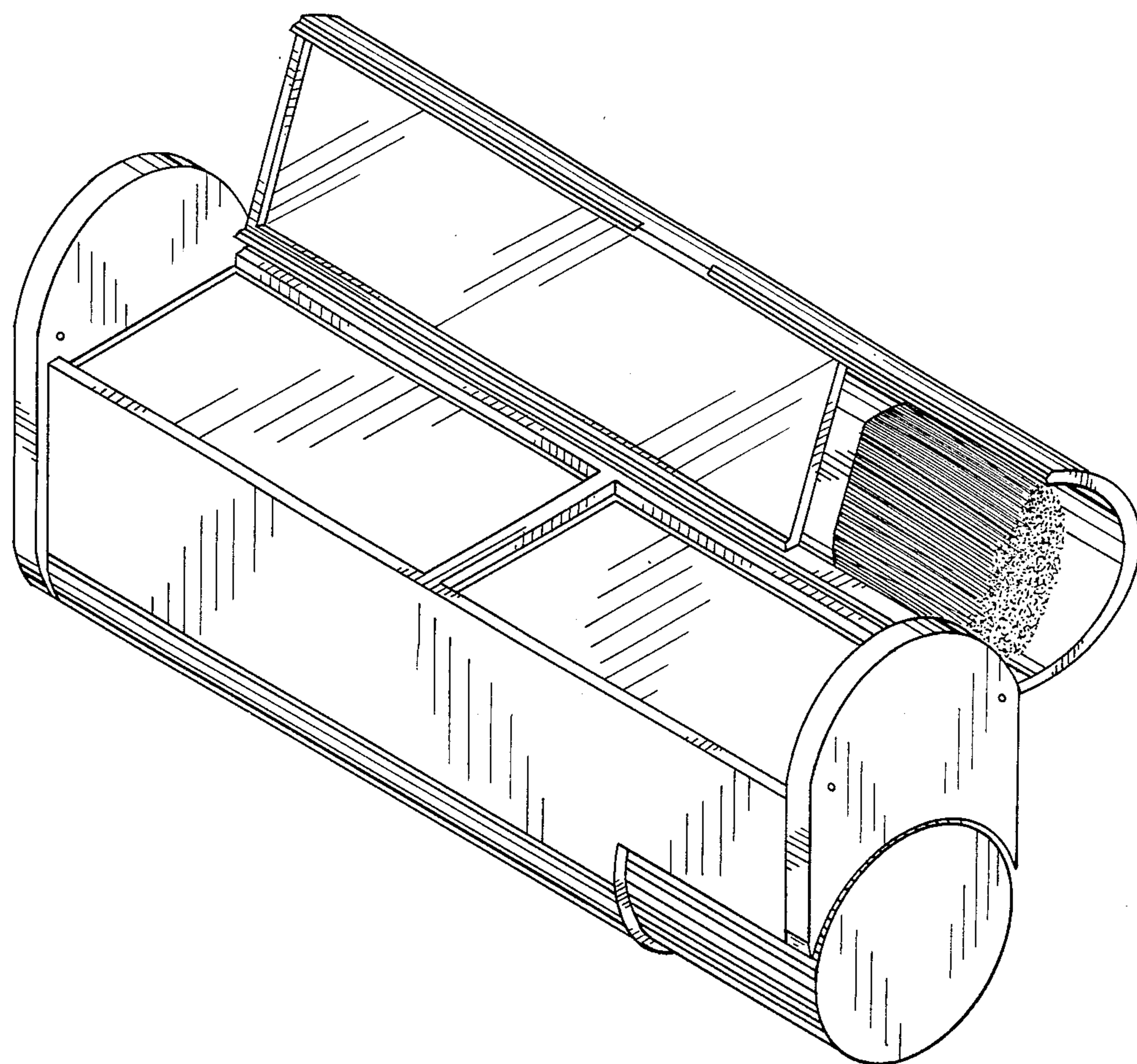


FIG. 1

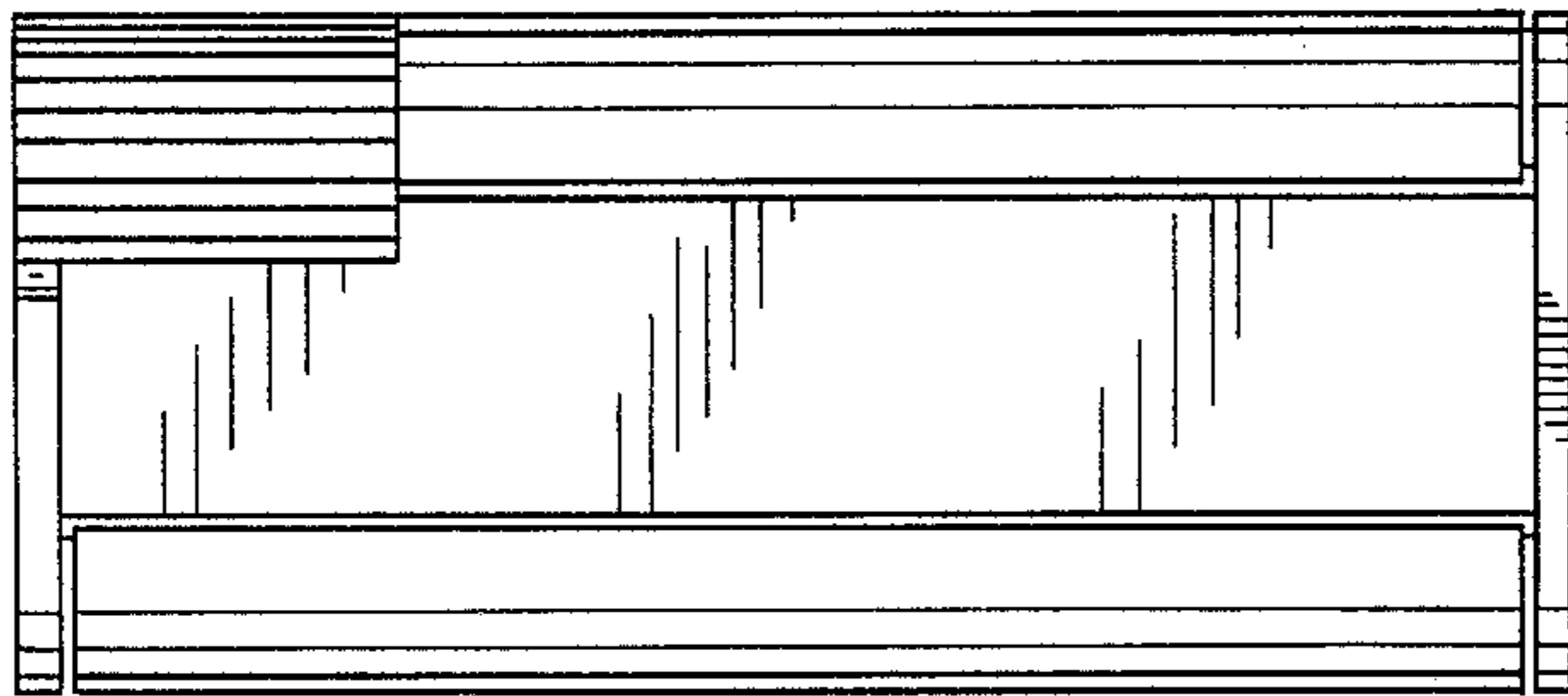


FIG. 2

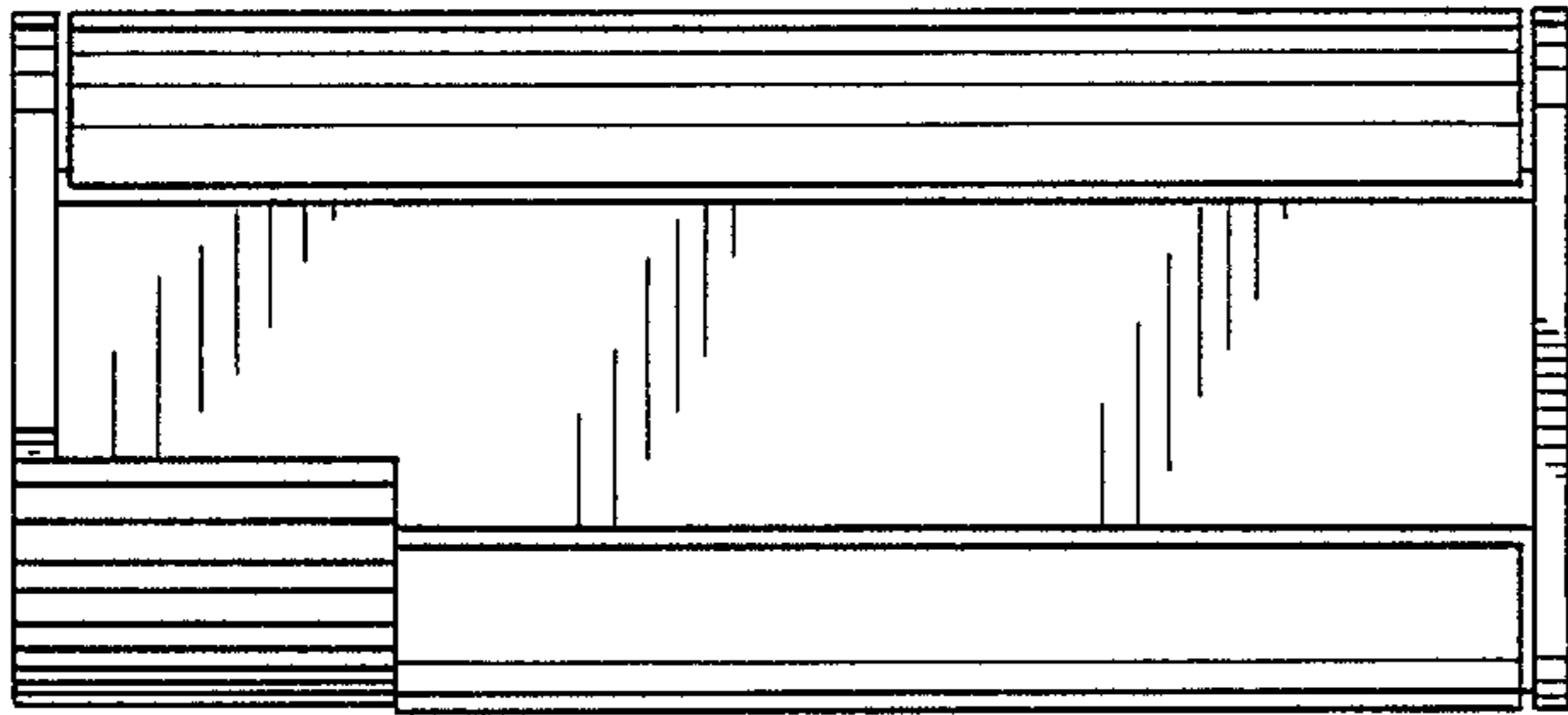


FIG. 3

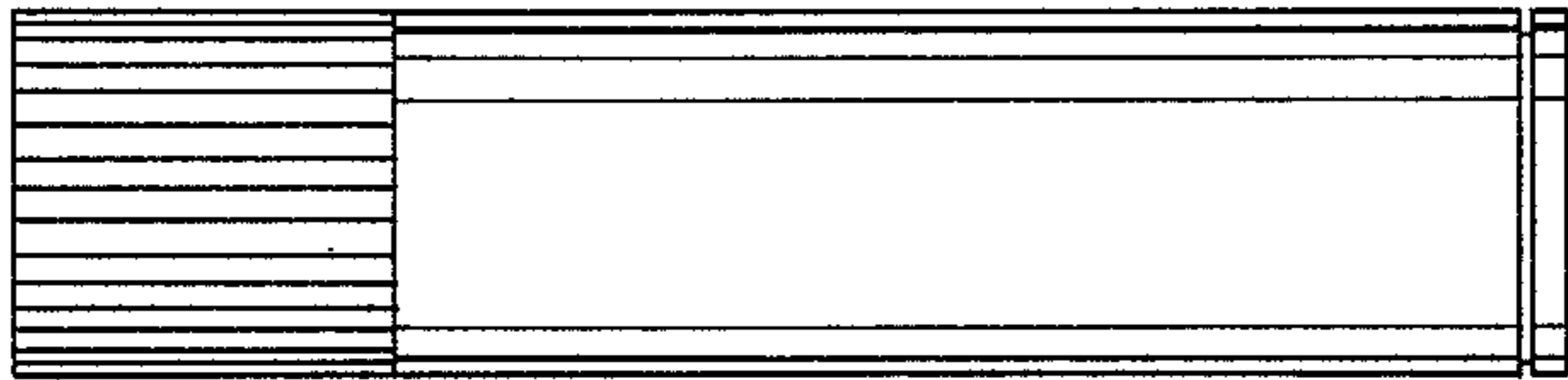


FIG. 4

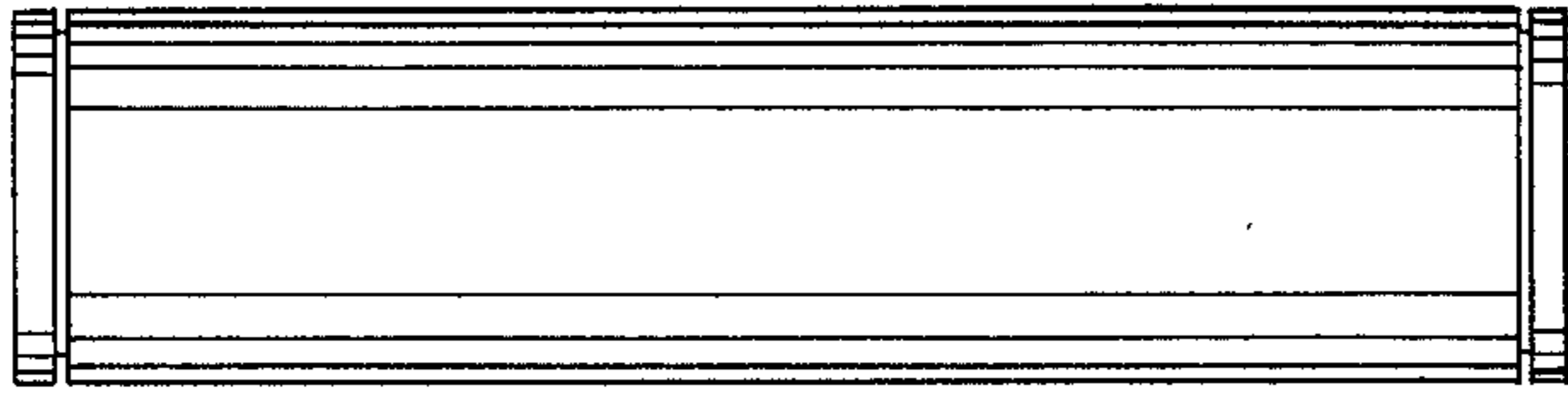


FIG. 5

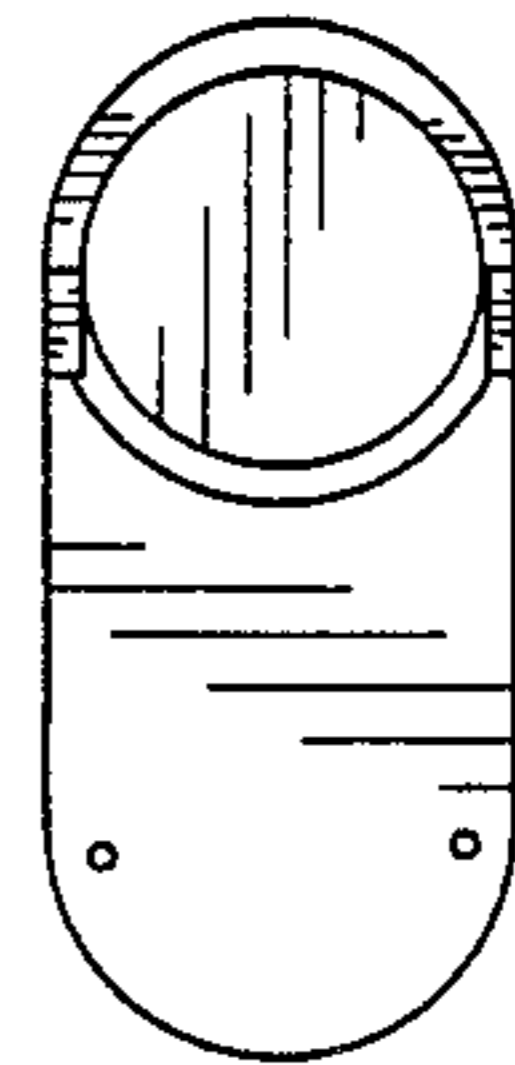


FIG. 6

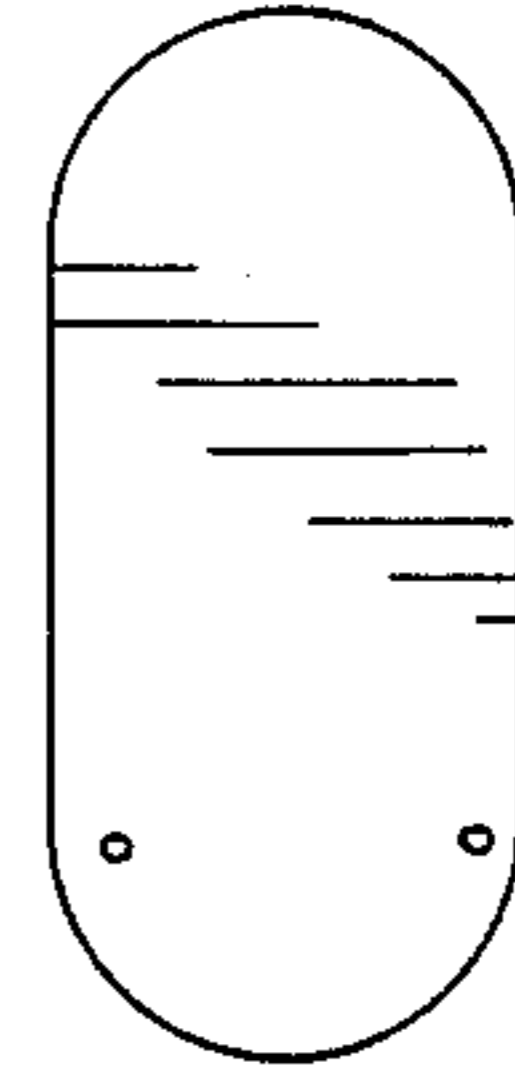


FIG. 7