

[54] ASHTRAY

3,781,948 1/1974 Pitt D99/1

[76] Inventor: Hennon Carson, 316 Wesley, Evanston, Ill. 60202

[**] Term: 14 Years

[21] Appl. No.: 261,185

[22] Filed: Oct. 24, 1988

[52] U.S. Cl. D27/106; D99/7

[58] Field of Search D27/102, 105, 106, 172, D27/186, 183, 188, 189; D99/1, 7; 27/2, 5, 6, 7, 8, 14, 19, 35; 131/231, 242

[56] References Cited

U.S. PATENT DOCUMENTS

D. 199,716	12/1964	Gluck	D27/106
D. 200,383	2/1965	Gluck	D27/106
D. 286,207	10/1986	Colliver	D27/188
D. 287,415	12/1986	Cramer	D27/106
D. 900,218	10/1908	Seifert	27/7
2,103,547	12/1937	Morris	27/5 X
2,974,389	3/1961	Tatum	27/35 X

OTHER PUBLICATIONS

Coffin Cigarette Box on p. 2 of Spencer Gifts 1967 Catalog.

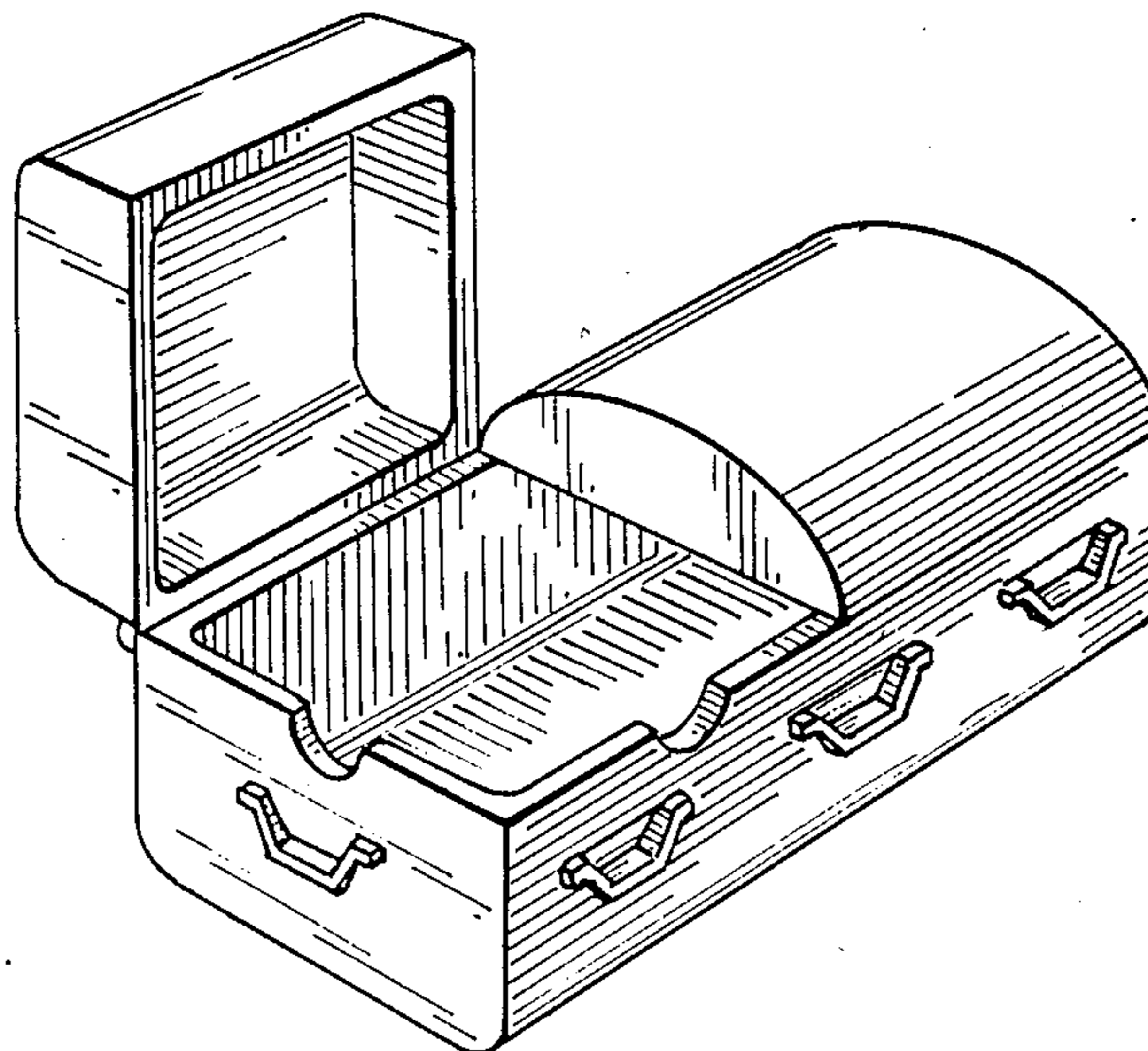
Primary Examiner—Susan J. Lucas
Assistant Examiner—Joel Sincavage
Attorney, Agent, or Firm—Basil E. Demeur; Robert E. Knechtel

[57] CLAIM

The ornamental design for an ashtray, as shown and described.

DESCRIPTION

FIG. 1 is a front perspective view of an ashtray showing my new design;
FIG. 2 is a left side elevational view thereof;
FIG. 3 is a rear elevational view thereof;
FIG. 4 is a top plan view thereof;
FIG. 5 is a right side elevational view thereof;
FIG. 6 is a front elevational view thereof.



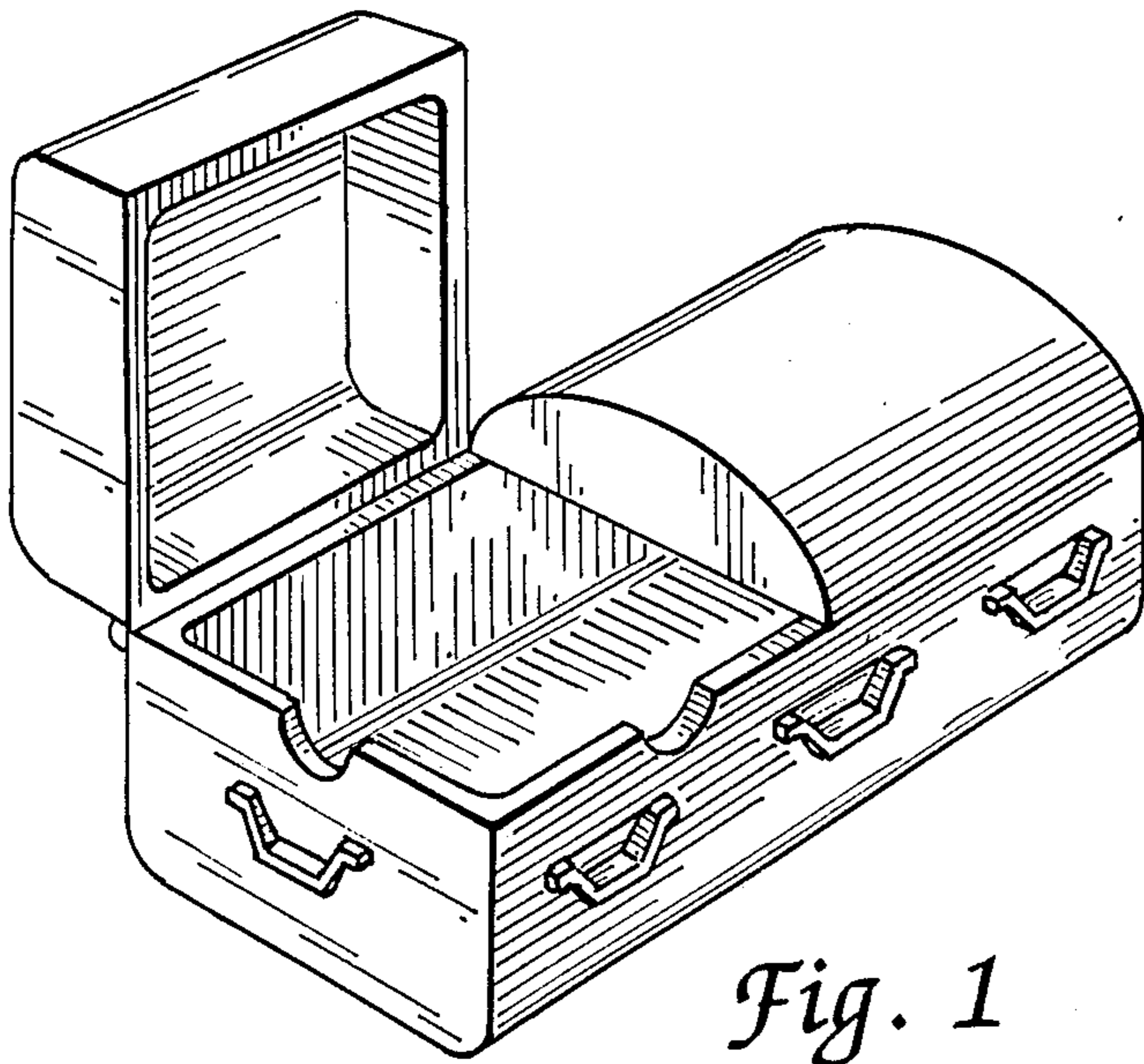


Fig. 1

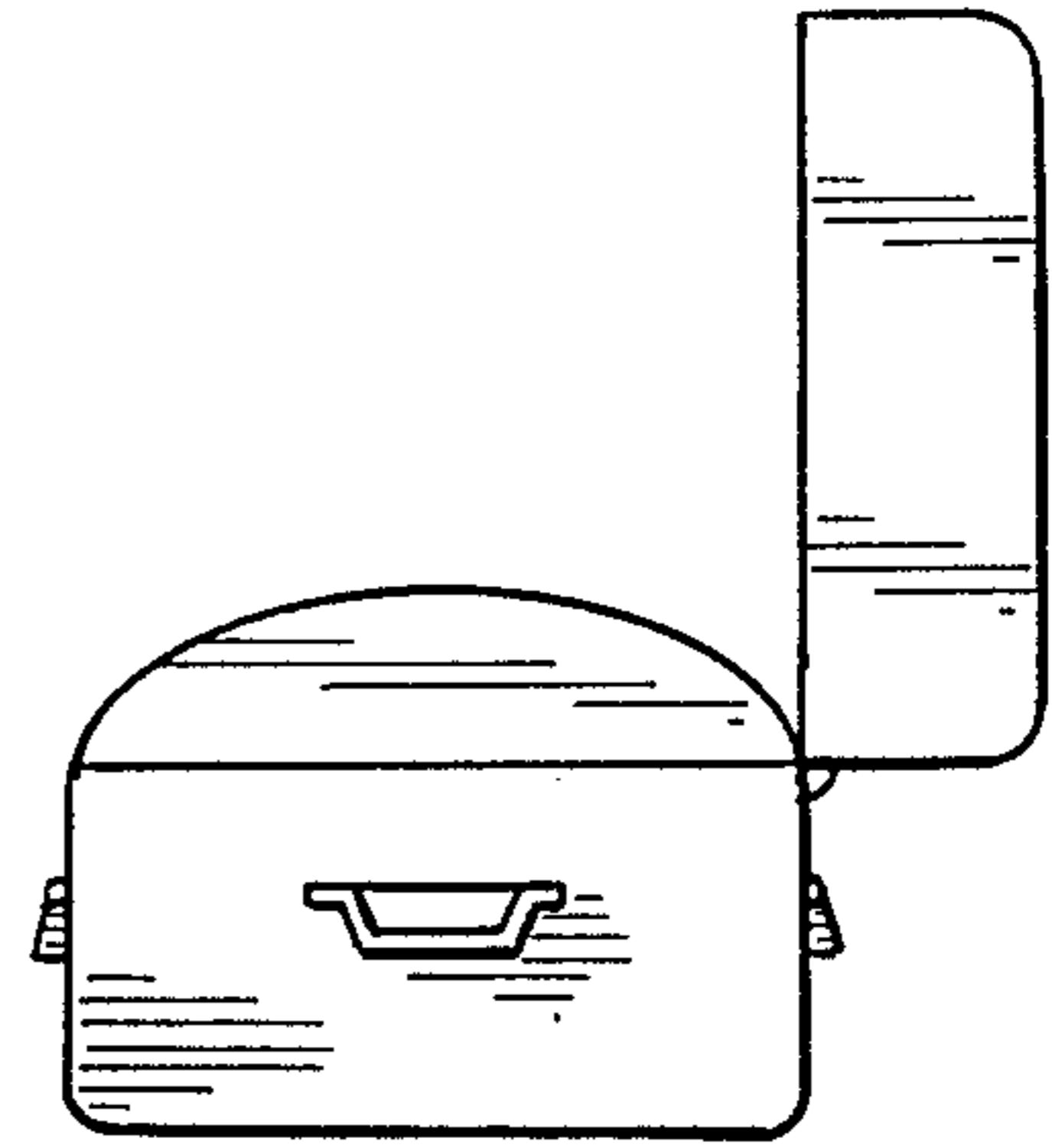


Fig. 2

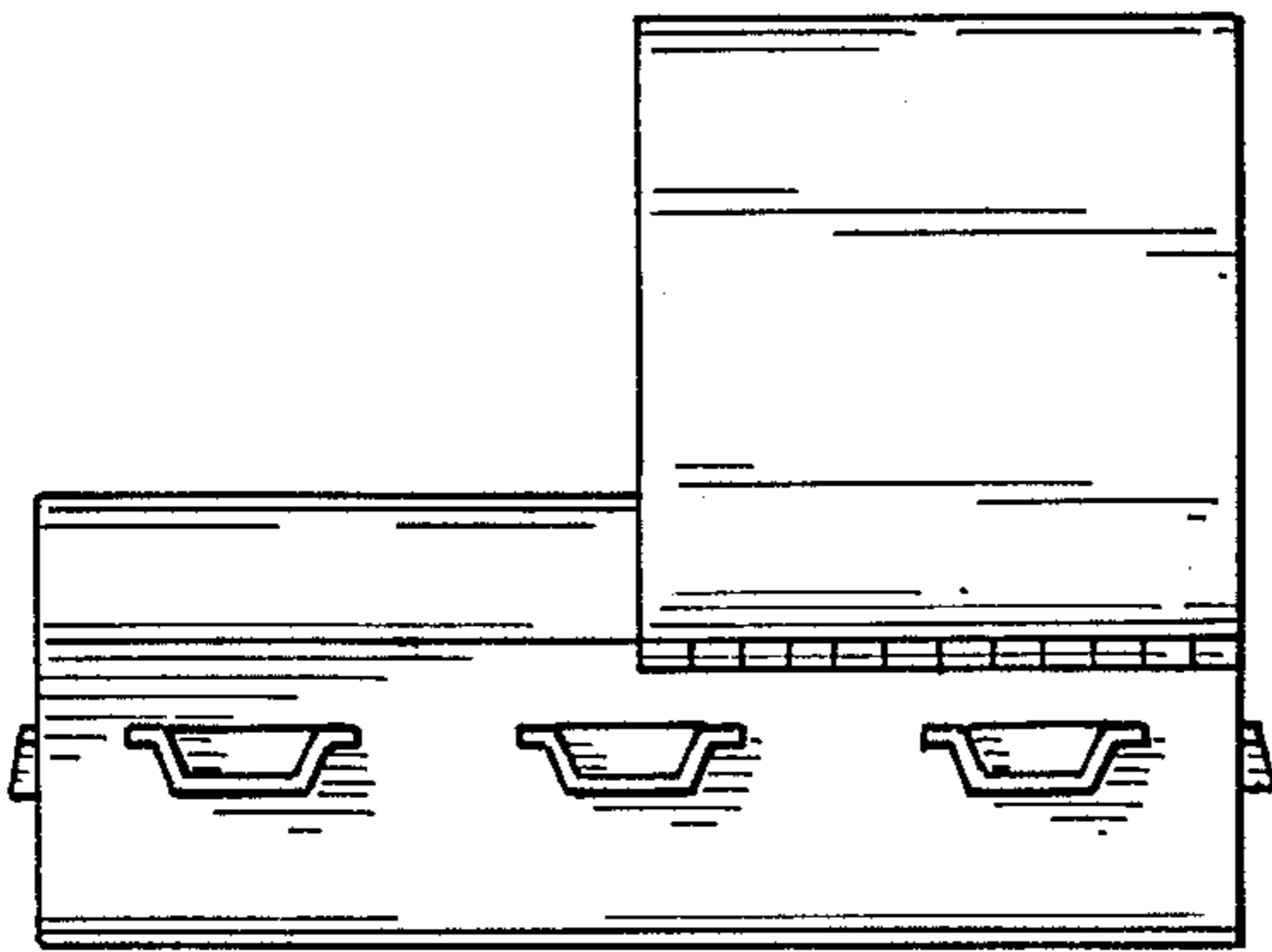


Fig. 3

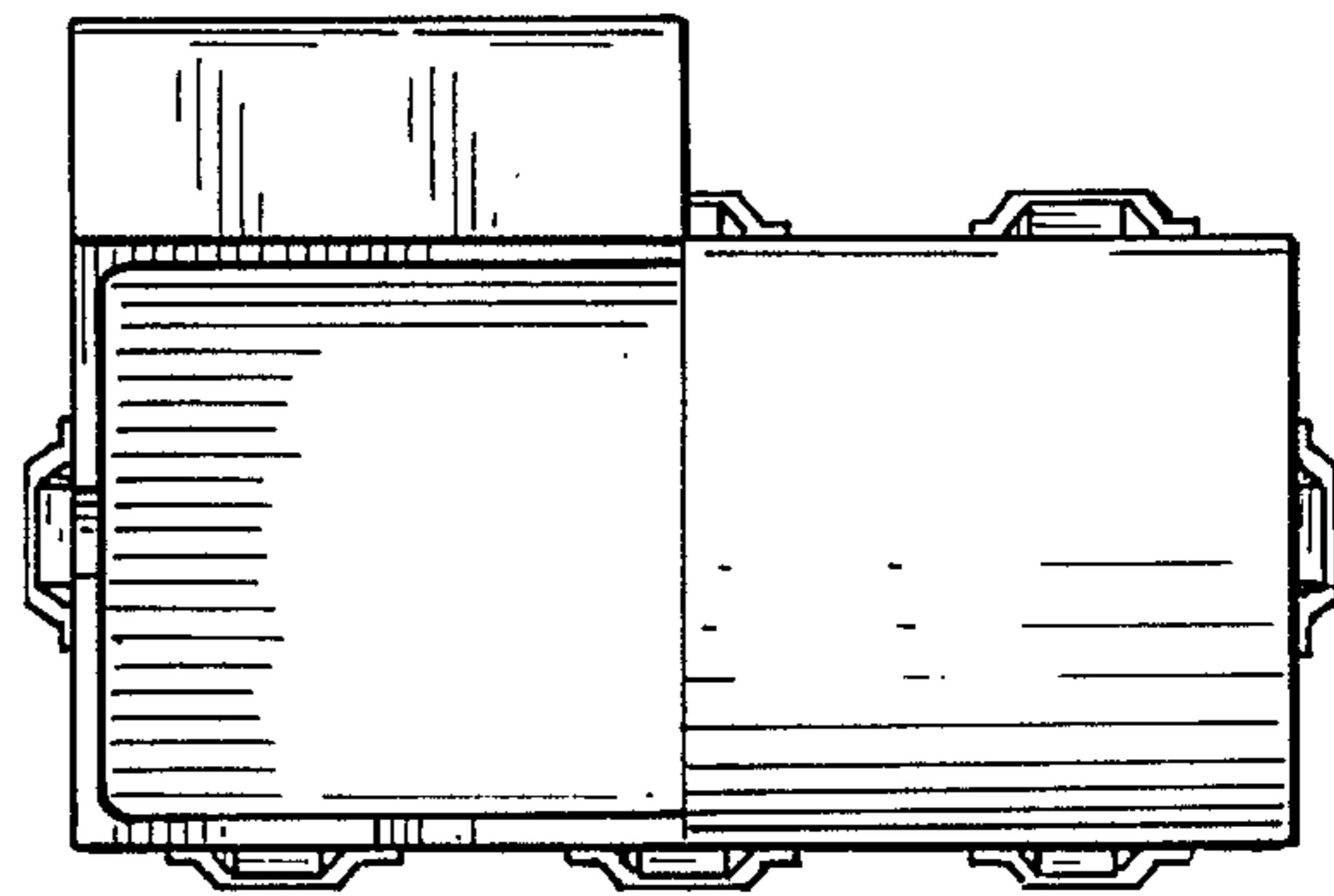


Fig. 4

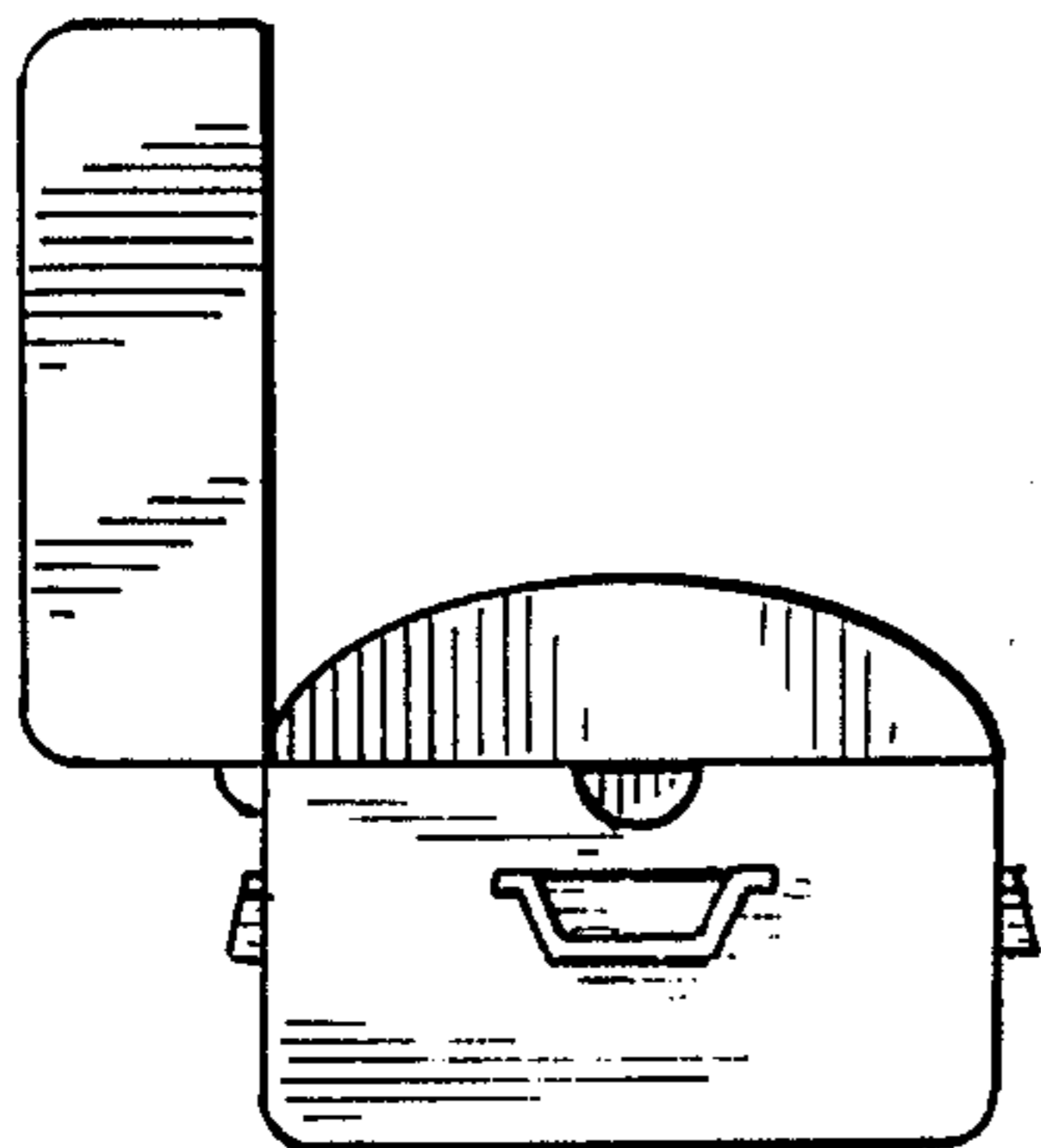


Fig. 5

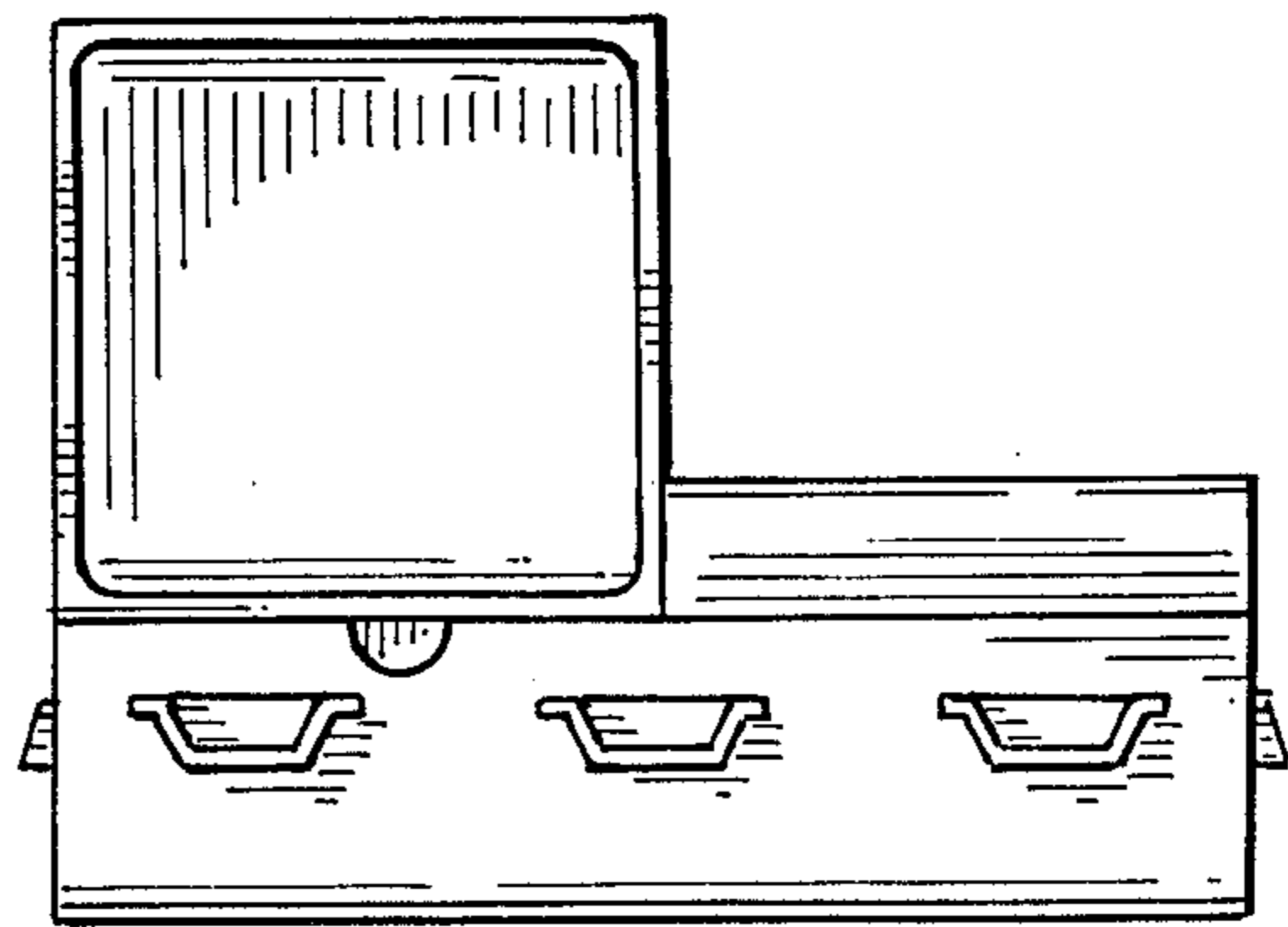


Fig. 6