

[54] **POCKET FLASHLIGHT**

[75] **Inventor: Paul R. Chabria, Wayne, Ill.**
[73] **Assignee: Press-A-Lite Corporation, West Chicago, Ill.**
[**] **Term: 14 Years**
[21] **Appl. No.: 259,102**
[22] **Filed: Oct. 18, 1988**
[52] **U.S. Cl. D26/46**
[58] **Field of Search D26/37-50;**
362/157-158, 183-208

[56] **References Cited**

U.S. PATENT DOCUMENTS

D. 277,415 1/1985 Berger D26/46
D. 296,477 6/1988 Powell et al. D26/46
1,321,026 11/1919 Freed et al. 362/196

OTHER PUBLICATIONS

Premium Practice Item Headlight, 10-1968, p. 145.
Early Winters Catalog Item Flashlight, 1984, p. 89.

Primary Examiner—Susan J. Lucas
Assistant Examiner—M. H. Tung
Attorney, Agent, or Firm—Lee, Mann, Smith,
McWilliams & Sweeney

[57] **CLAIM**

The ornamental design for a pocket flashlight, as shown and described.

DESCRIPTION

FIG. 1 is a perspective view of a pocket flashlight showing my new design;
FIG. 2 is a front elevational view thereof;
FIG. 3 is a top plan view thereof;
FIG. 4 is a bottom plan view thereof;
FIG. 5 is a left side elevational view thereof, the right side being a mirror image;
FIG. 6 is a rear elevational view thereof.

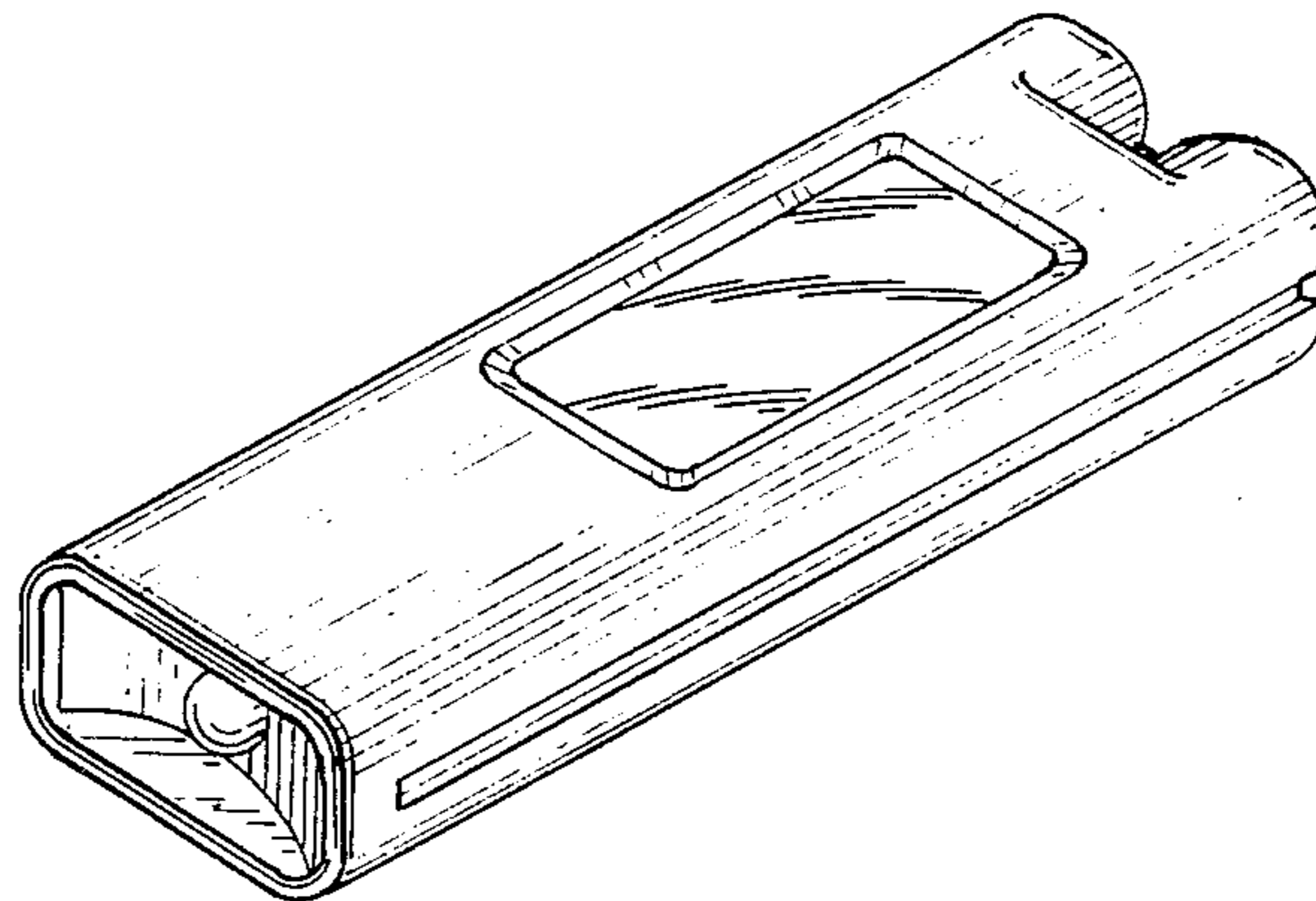


Fig. 1.

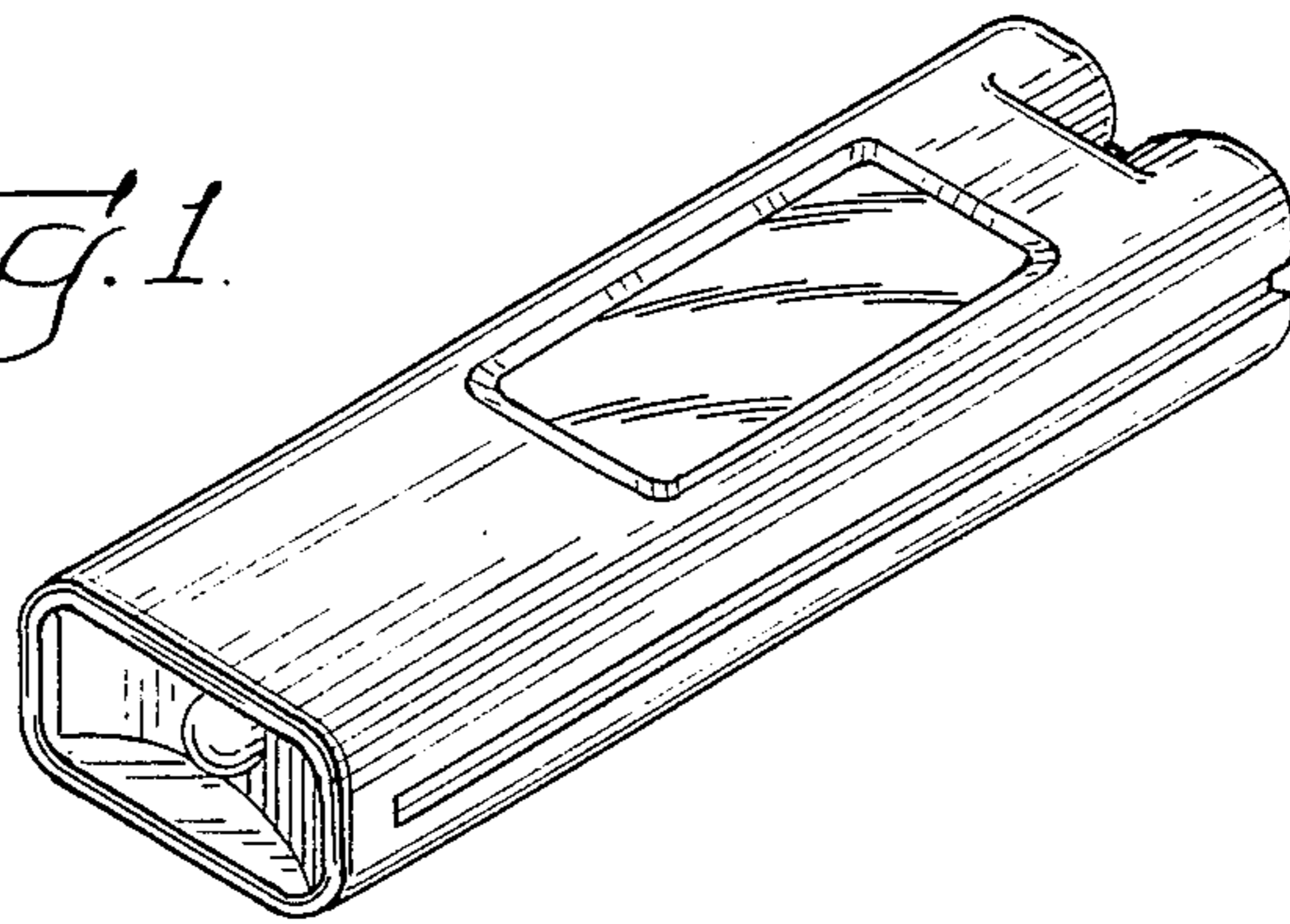


Fig. 2.

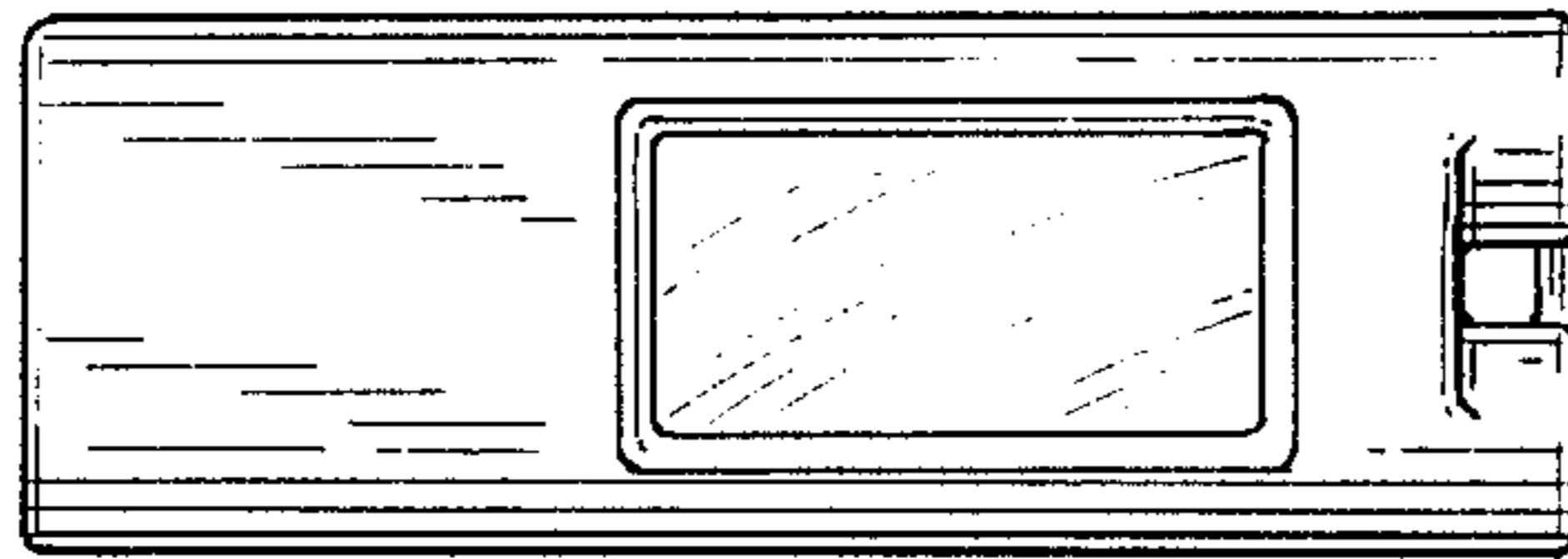


Fig. 3.

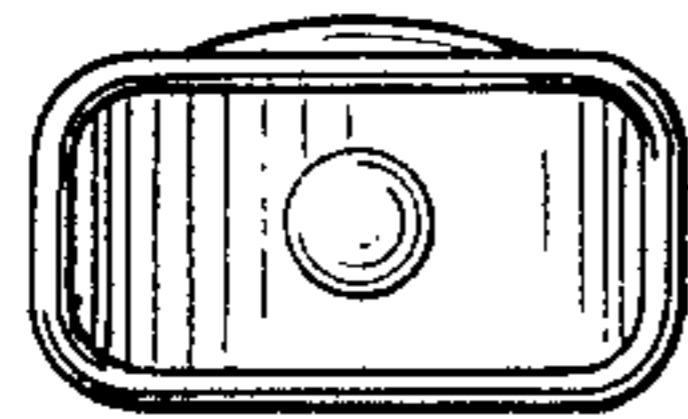


Fig. 4.

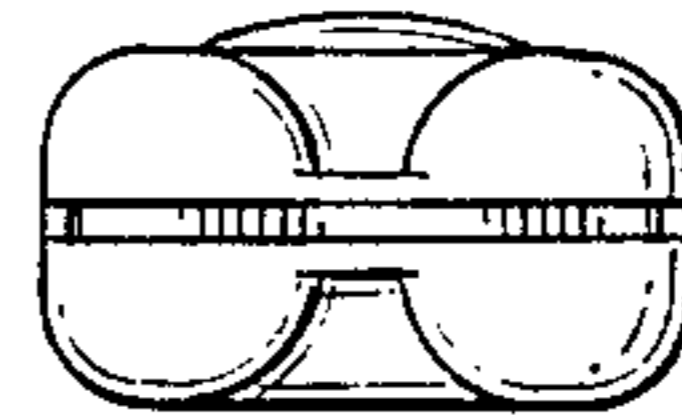


Fig. 5.

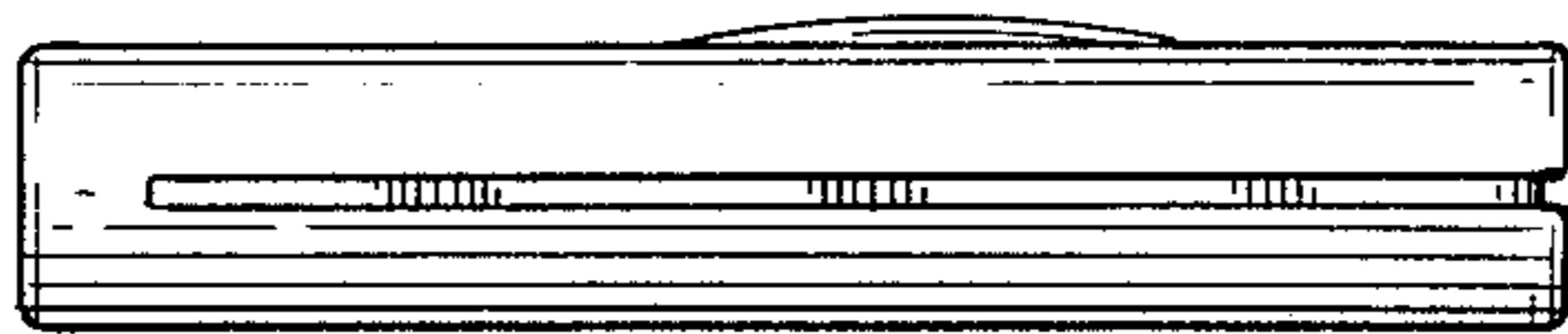


Fig. 6.

