

United States Patent [19]

Theisen et al.

[11] Patent Number: **Des. 311,065**

[45] Date of Patent: **** Oct. 2, 1990**

[54] **SOUND CONDITIONER FOR MASKING
INTRUDING NOISES**

[75] Inventors: **David A. Theisen, Hampstead; Robert
L. Gault, Raleigh, both of N.C.**

[73] Assignee: **Marpac Corporation, Wilmington,
N.C.**

[**] Term: **14 Years**

[21] Appl. No.: **197,415**

[22] Filed: **May 23, 1988**

[52] U.S. Cl. **D24/99; D24/8**

[58] Field of Search **D24/99, 8, 1.1;
181/284, 295, 210, 195**

[56] **References Cited**

U.S. PATENT DOCUMENTS

4,548,292 10/1985 Noxon 181/286 X
4,832,147 5/1989 Dear et al. 181/295 X

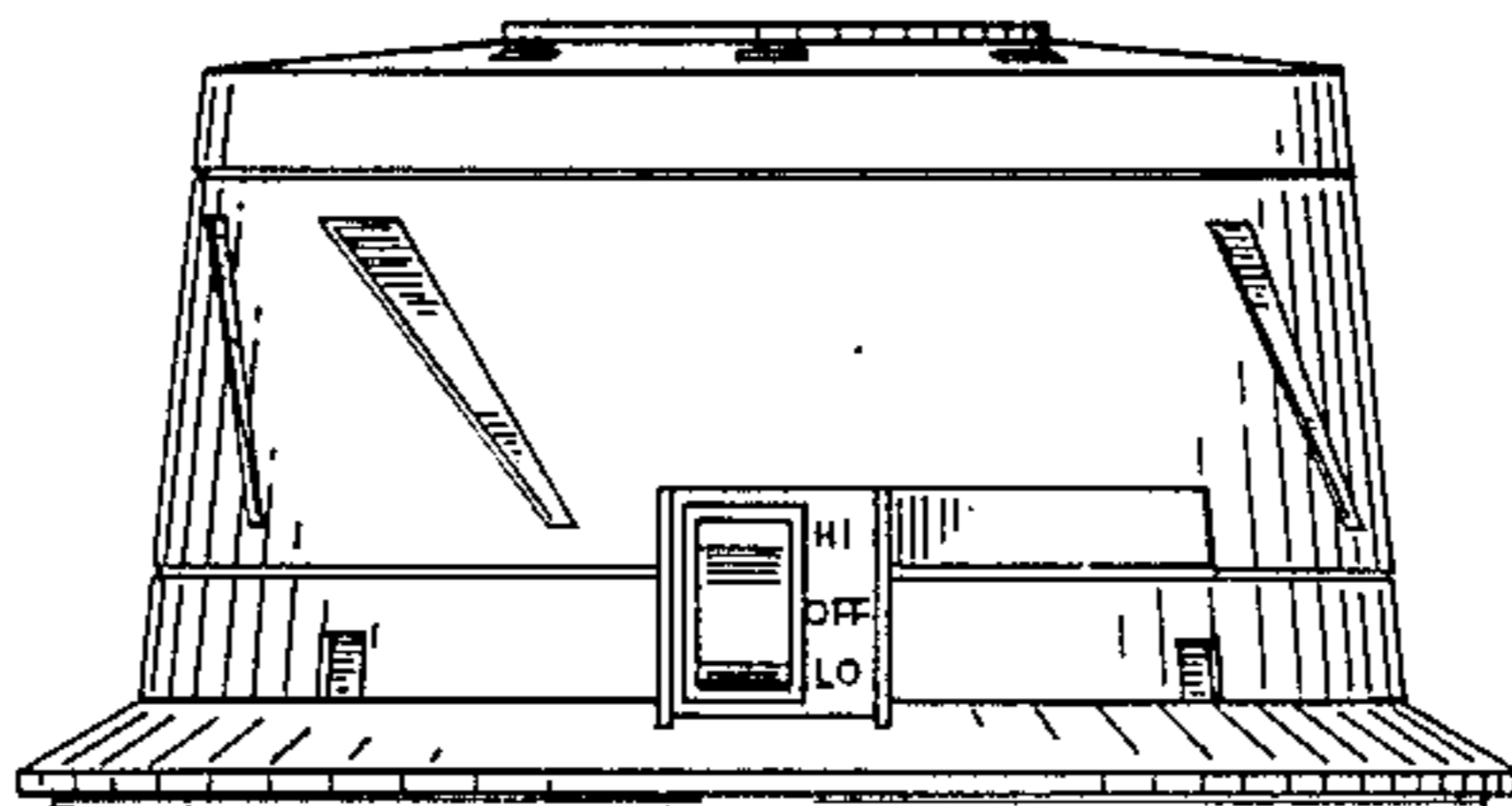
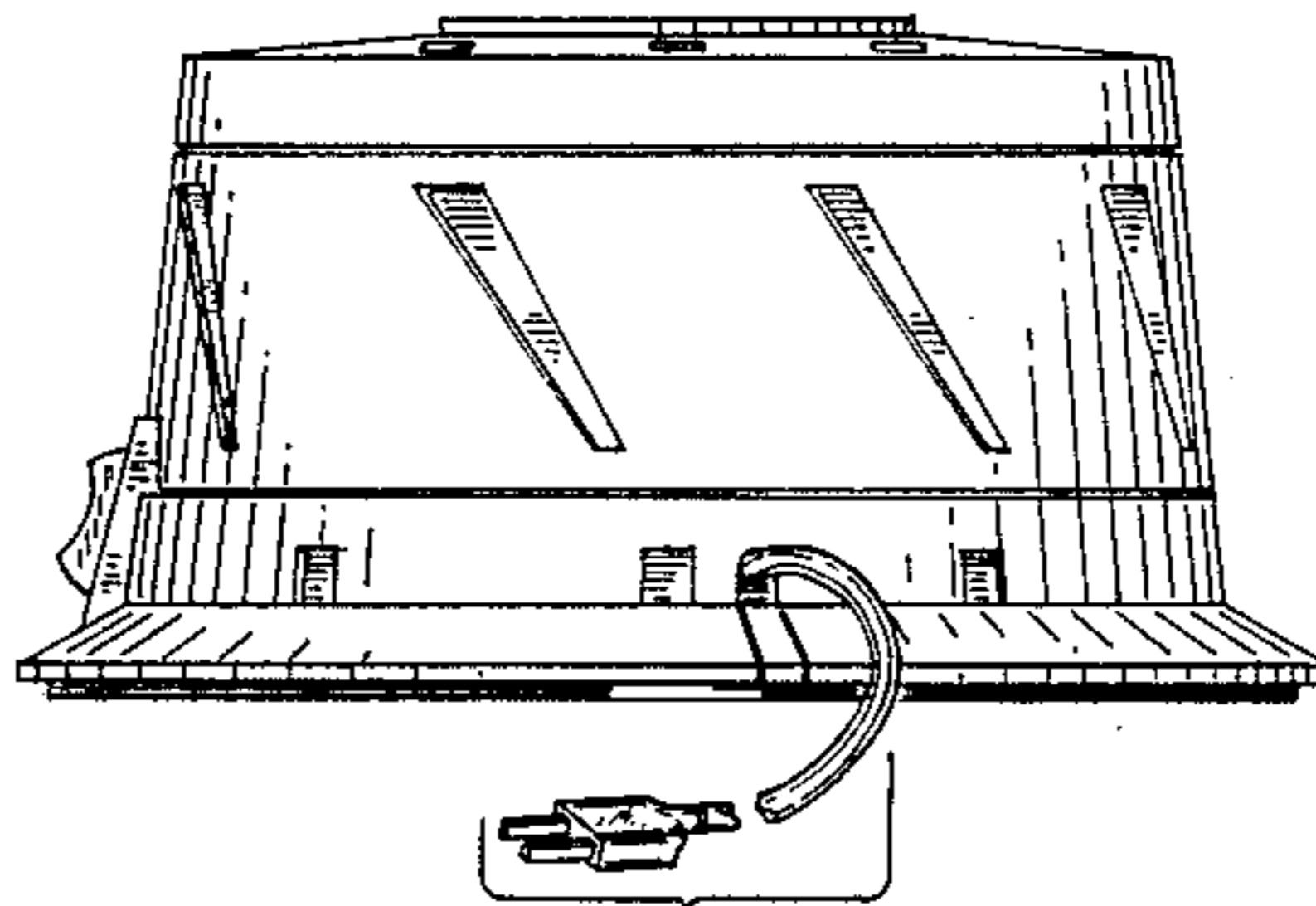
Primary Examiner—A. Hugo Word
Assistant Examiner—Stella M. Reid
Attorney, Agent, or Firm—Olive & Olive

[57] **CLAIM**

The ornamental design for a sound conditioner for masking intruding noises, as shown and described.

DESCRIPTION

FIG. 1 is a top plan view of a sound conditioner for masking intruding noise, showing our new design; FIG. 2 is a bottom plan view thereof; FIG. 3 is a right side elevational view thereof; FIG. 4 is a front elevational view thereof; FIG. 5 is a rear elevational view thereof; and FIG. 6 is a left side elevational view thereof.



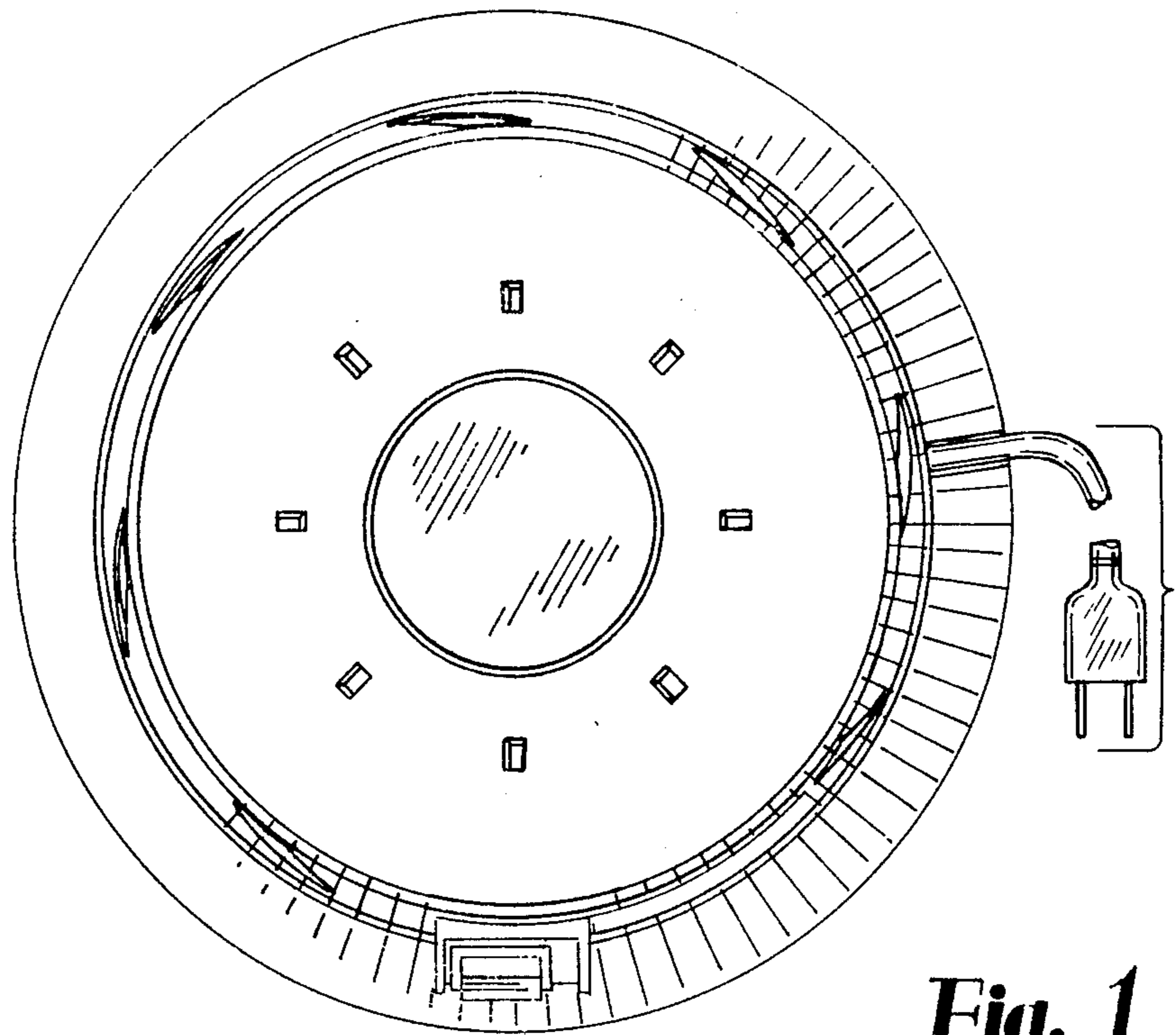


Fig. 1

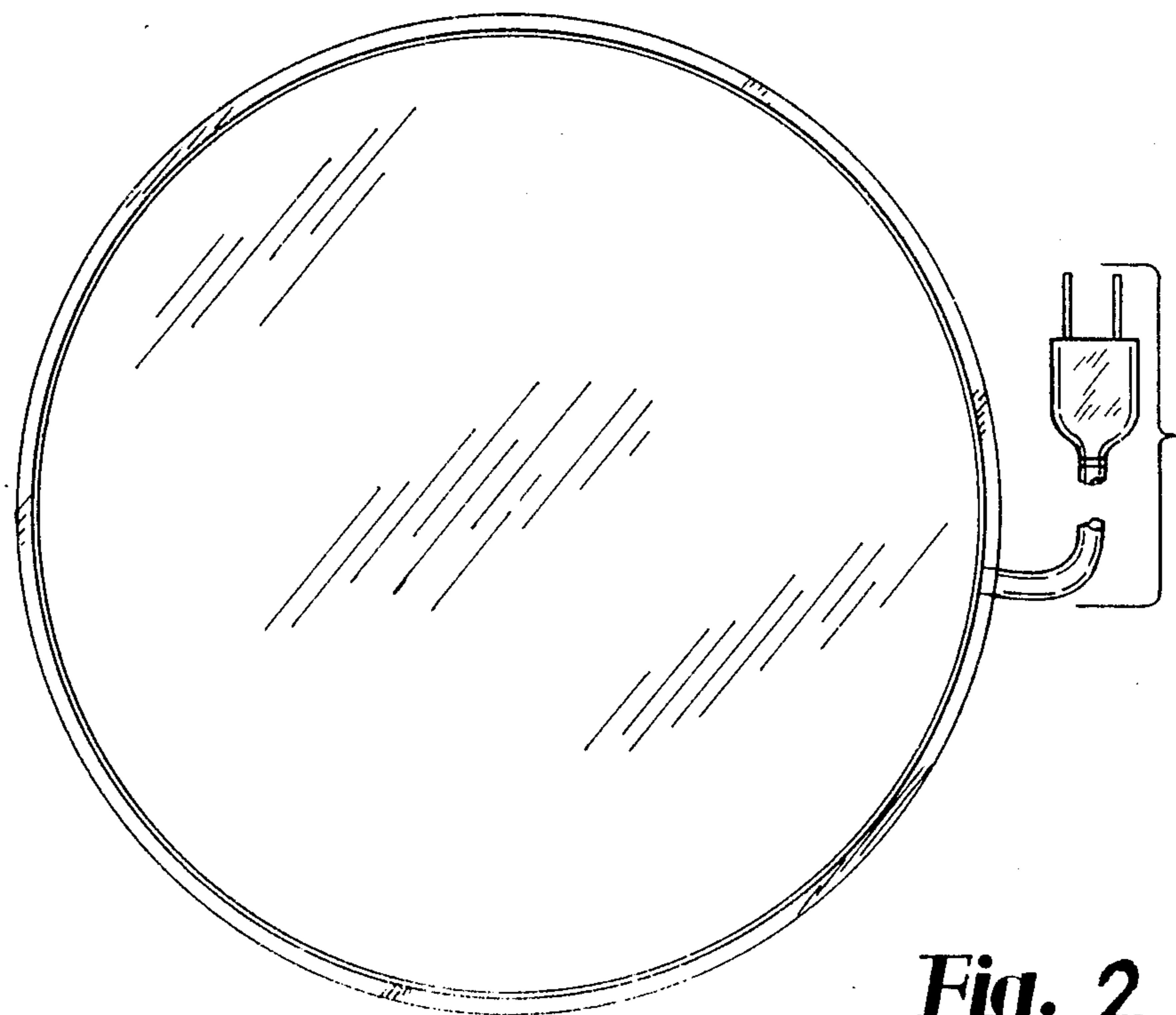


Fig. 2

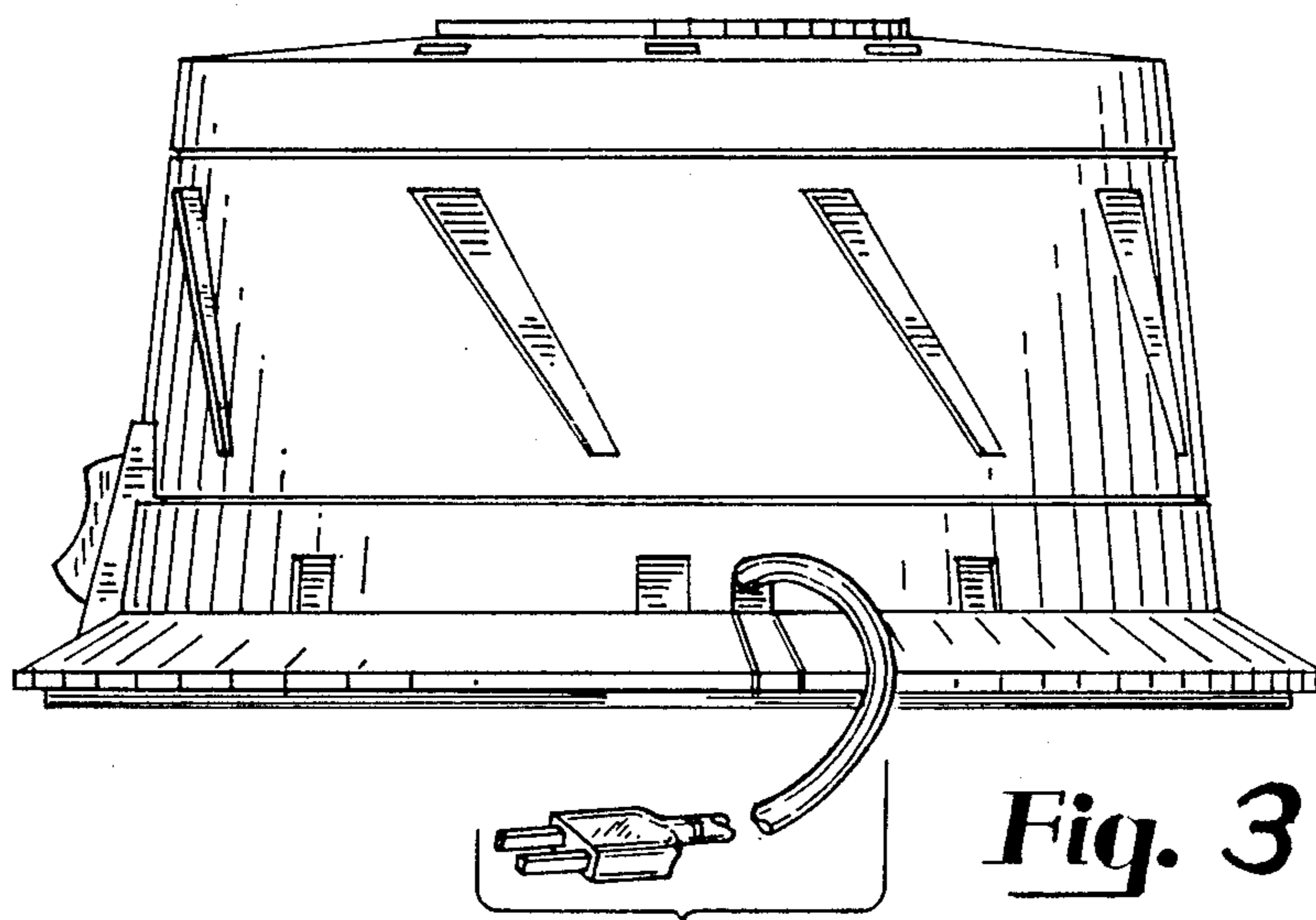


Fig. 3

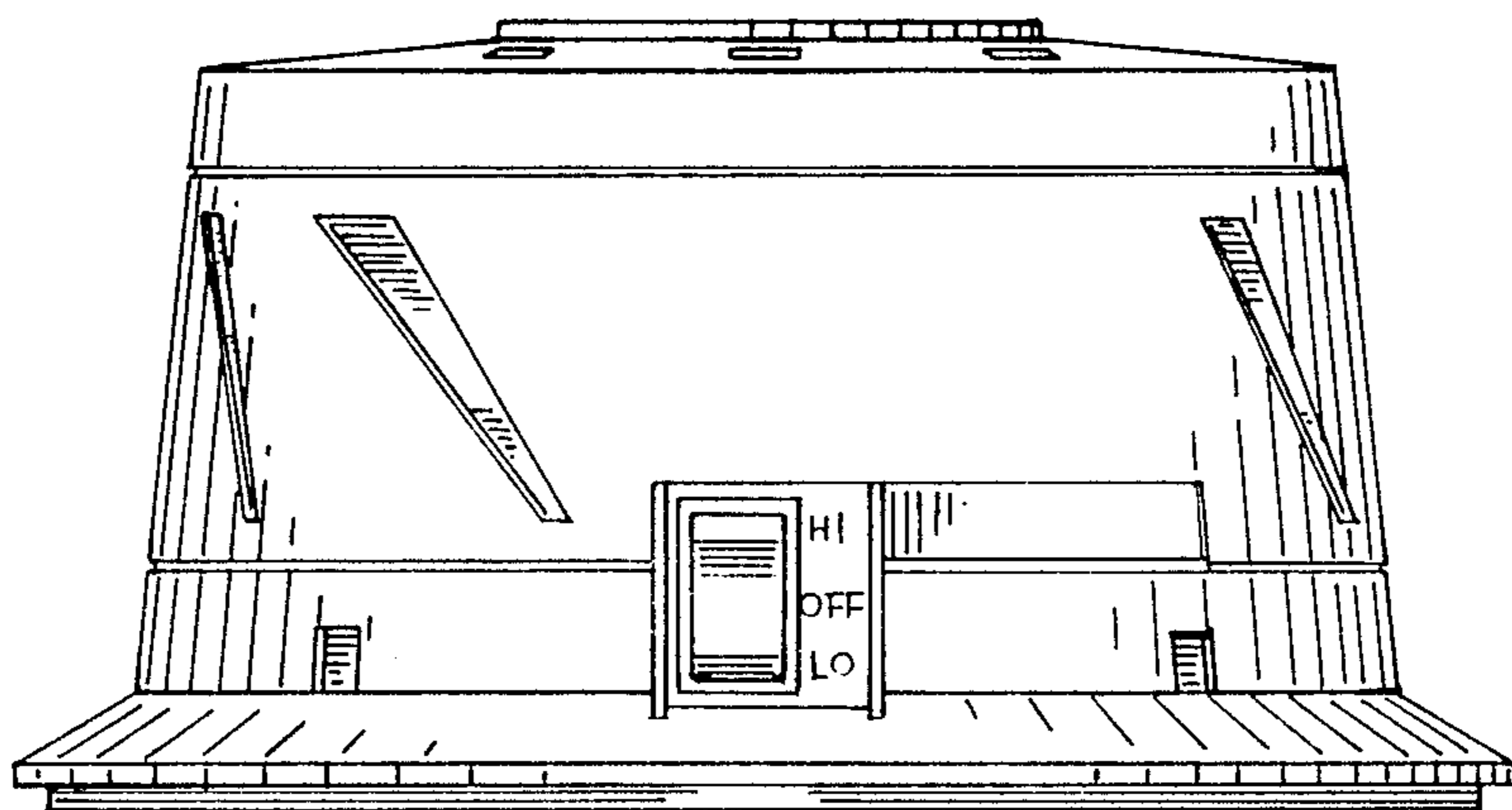


Fig. 4

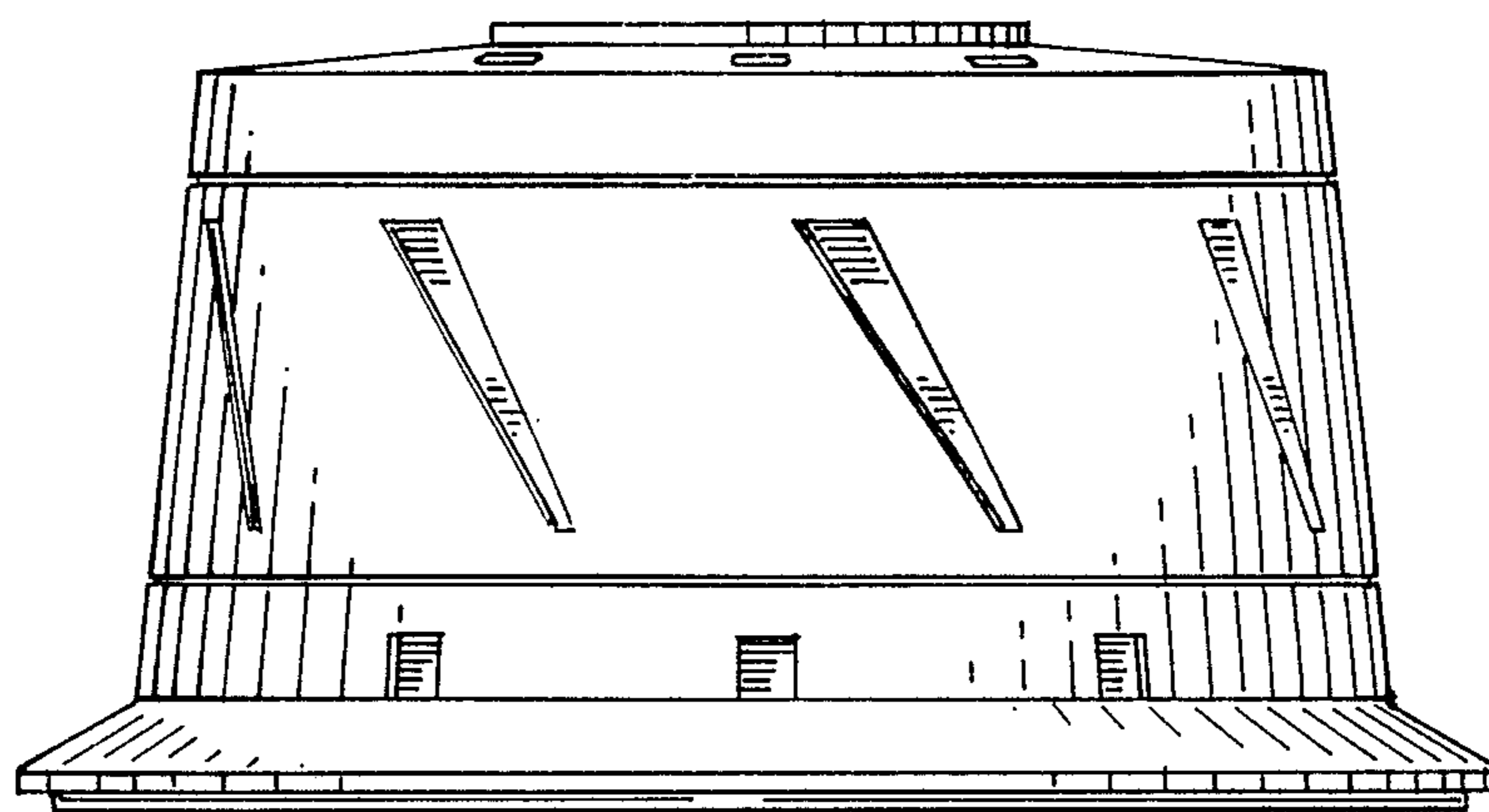


Fig. 5

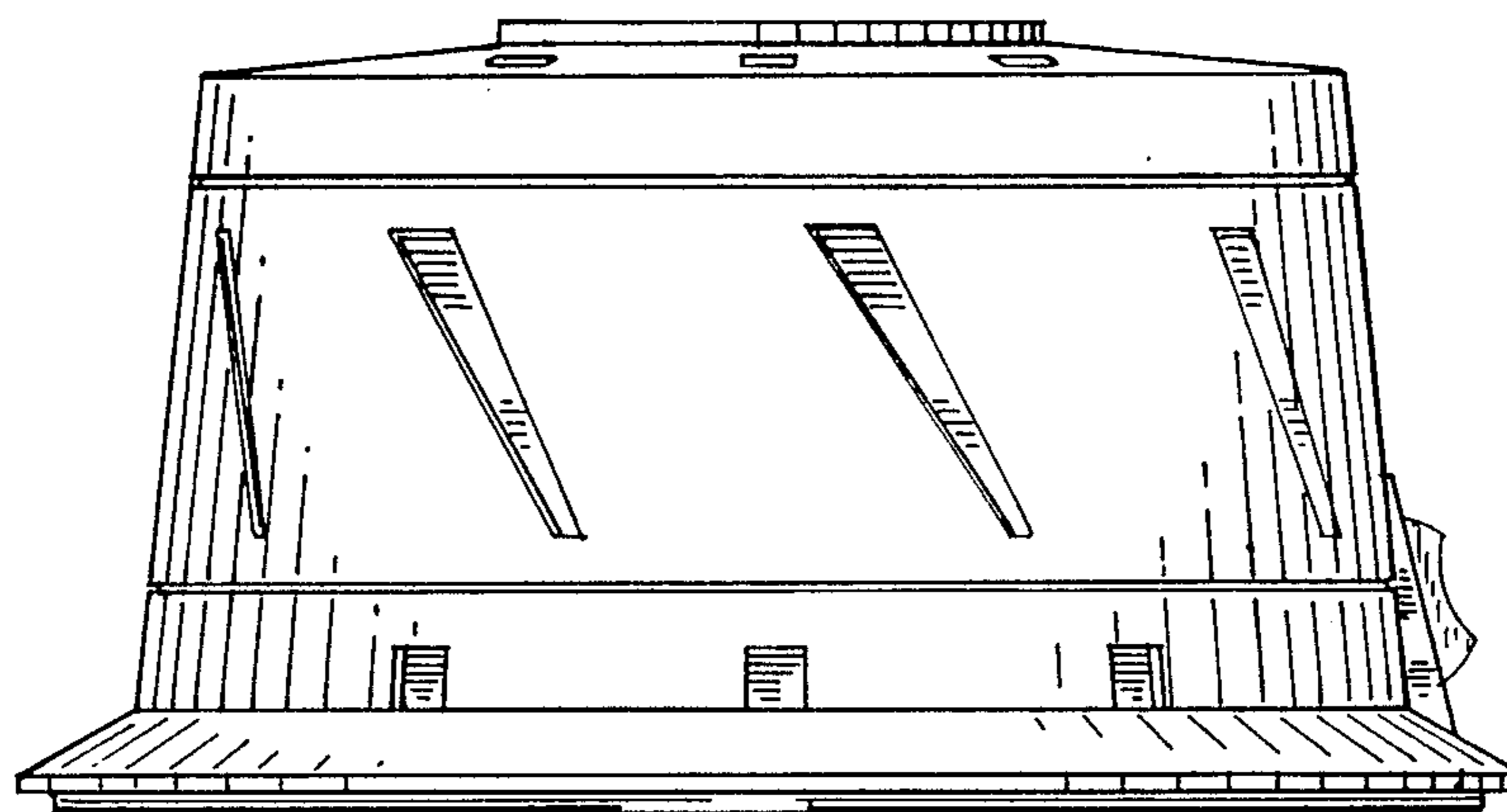


Fig. 6