

United States Patent [19]

Utas-Sjöberg

[11] Patent Number: **Des. 311,064**

[45] Date of Patent: **** Oct. 2, 1990**

[54] **CATHETER PACKAGE**

[75] Inventor: **Jan M. R. Utas-Sjöberg**, Mölndal, Sweden

[73] Assignee: **Astra Meditec Aktiebolag**, Mölndal, Sweden

[**] Term: **14 Years**

[21] Appl. No.: **10,141**

[22] Filed: **Feb. 2, 1987**

[30] **Foreign Application Priority Data**

Aug. 11, 1986 [SE] Sweden 861827

[52] U.S. Cl. **D24/54**

[58] Field of Search D24/54; 206/364, 571, 206/572, 438, 484; 604/171, 172, 199

[56] **References Cited**

U.S. PATENT DOCUMENTS

D. 236,325 8/1975 Miller D24/54 X

3,750,875 8/1973 Juster 604/172 X
3,967,728 7/1976 Gordon et al. 206/364
4,091,922 5/1978 Egler 604/171 X

Primary Examiner—A. Hugo Word
Assistant Examiner—Stella M. Reid
Attorney, Agent, or Firm—White & Case

[57] **CLAIM**

The ornamental design for a catheter package, as shown.

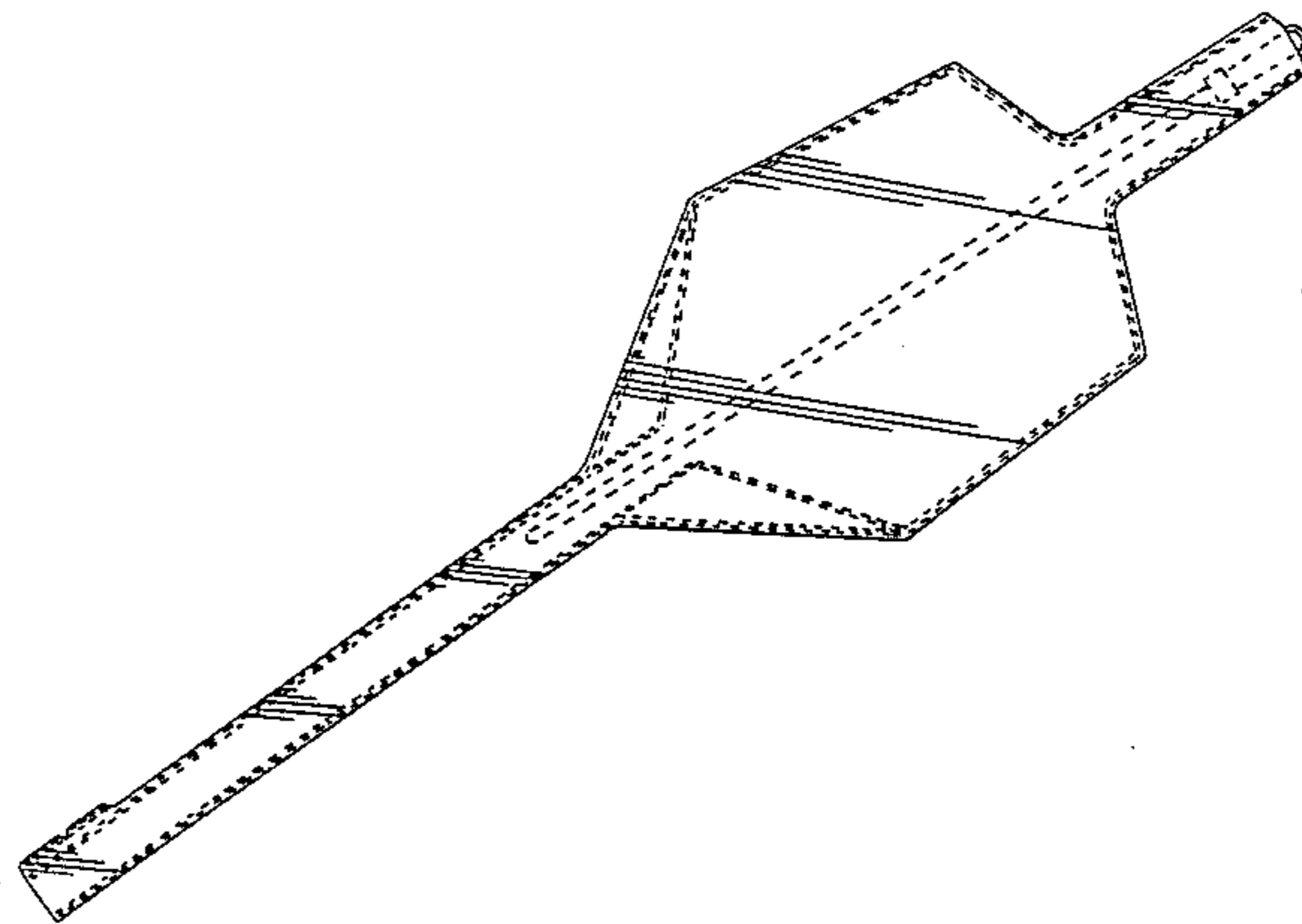
DESCRIPTION

FIG. 1 is an elevational view of a catheter package, showing my new design, the opposite side elevational view being identical thereto and a catheter being shown in broken lines for illustrative purposes only and forming no part of the claimed design;

FIG. 2 is an elevational view thereof, with the catheter removed; and

FIG. 3 is an edge view.

The broken lines along the periphery of the claimed invention in FIGS. 1 and 2 are seams.



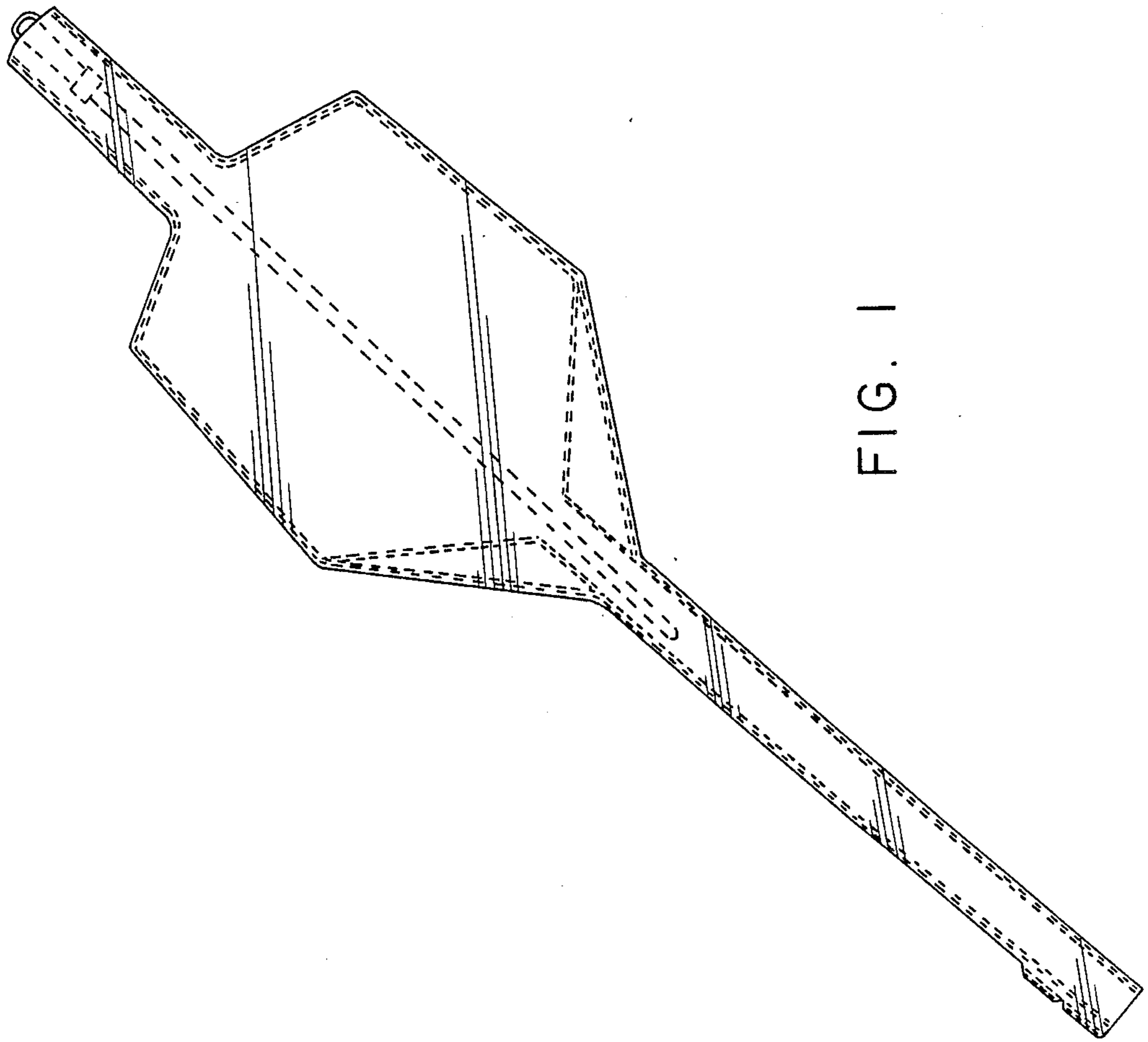


FIG. 1

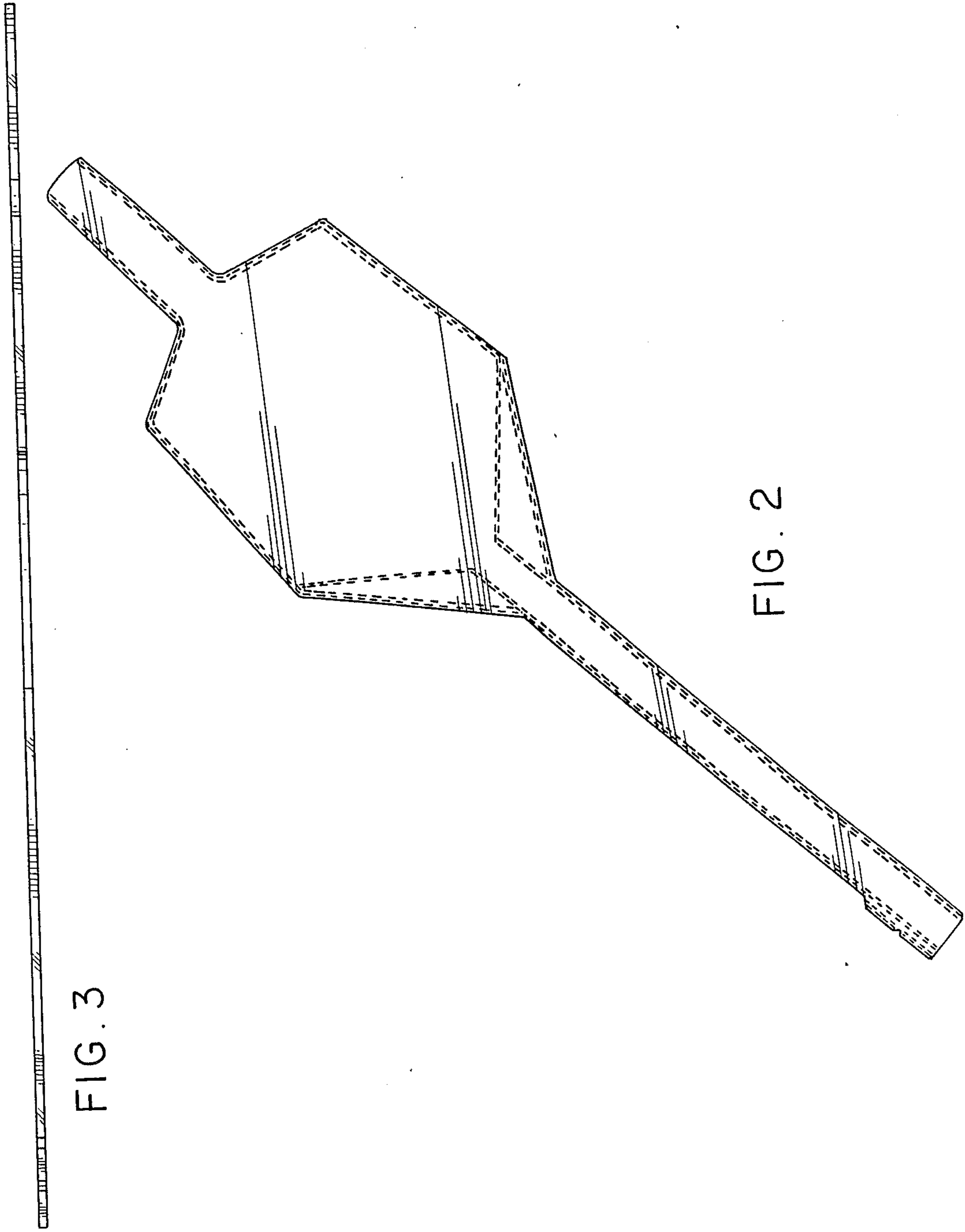


FIG. 3

FIG. 2