

[54] **TOILET OR THE LIKE**

[75] **Inventor: Henry M. Stairs, Jr., Neshanic, N.J.**

[73] **Assignee: American Standard Inc., New York, N.Y.**

[\*\*] **Term: 14 Years**

[21] **Appl. No.: 128,536**

[22] **Filed: Dec. 1, 1987**

[52] **U.S. Cl. .... D23/295**

[58] **Field of Search ..... D23/295-301,  
D23/309, 313; 4/306, 329-332, 353, 420-448,  
DIG. 15**

[56] **References Cited**

**U.S. PATENT DOCUMENTS**

D. 75,721	7/1928	Coxon .....	D23/313
D. 199,021	9/1964	Stairs, Jr. ....	D23/301
D. 199,049	9/1964	Kaiser .....	D4/5
D. 217,551	5/1970	Manning .....	D23/67
D. 226,432	3/1973	Anderson .....	D23/313
D. 226,715	4/1973	Anderson .....	D23/67
D. 262,677	1/1982	Kaiser .....	D23/301
D. 262,989	2/1982	Stairs, Jr. ....	D23/301
D. 275,419	9/1984	Stairs, Jr. ....	D23/301
D. 275,598	9/1984	Stairs, Jr. ....	D23/301
2,099,932	11/1937	Isaacson .....	4/353

**FOREIGN PATENT DOCUMENTS**

927451 5/1963 United Kingdom ..... 4/353

**OTHER PUBLICATIONS**

American Standard 1982 Fixtures & Fittings Catalog, pp. 4-8 thru 4-12, Cadet Toilet.

Kohler Catalog, pp. 9-13, Wellworth Toilet, 1986.

Artesian Industries, Artesian Toilet.

Artesian Avalon Water-Saving Elongated Toilet.

Artesian Deluxe, Aegean Water-Miser Toilet with Insulated Tank.

Artesian Atlantis Economically-Priced Water-Saving Toilet.

Artesian Acadia Economical Water-Miser Toilet.

*Primary Examiner*—James R. Largen

*Attorney, Agent, or Firm*—John P. Sinnott

[57] **CLAIM**

The ornamental design for a toilet or the like, as shown and described.

**DESCRIPTION**

FIG. 1 is a perspective view, taken from the top, front and left side of a toilet or the like, embodying my new design;

FIG. 2 is a left side elevational view, the right side being a mirror image of the left side shown;

FIG. 3 is a top plan view thereof;

FIG. 4 is a front elevational view thereof;

FIG. 5 is a rear elevational view thereof; and

FIG. 6 is a bottom plan view thereof.

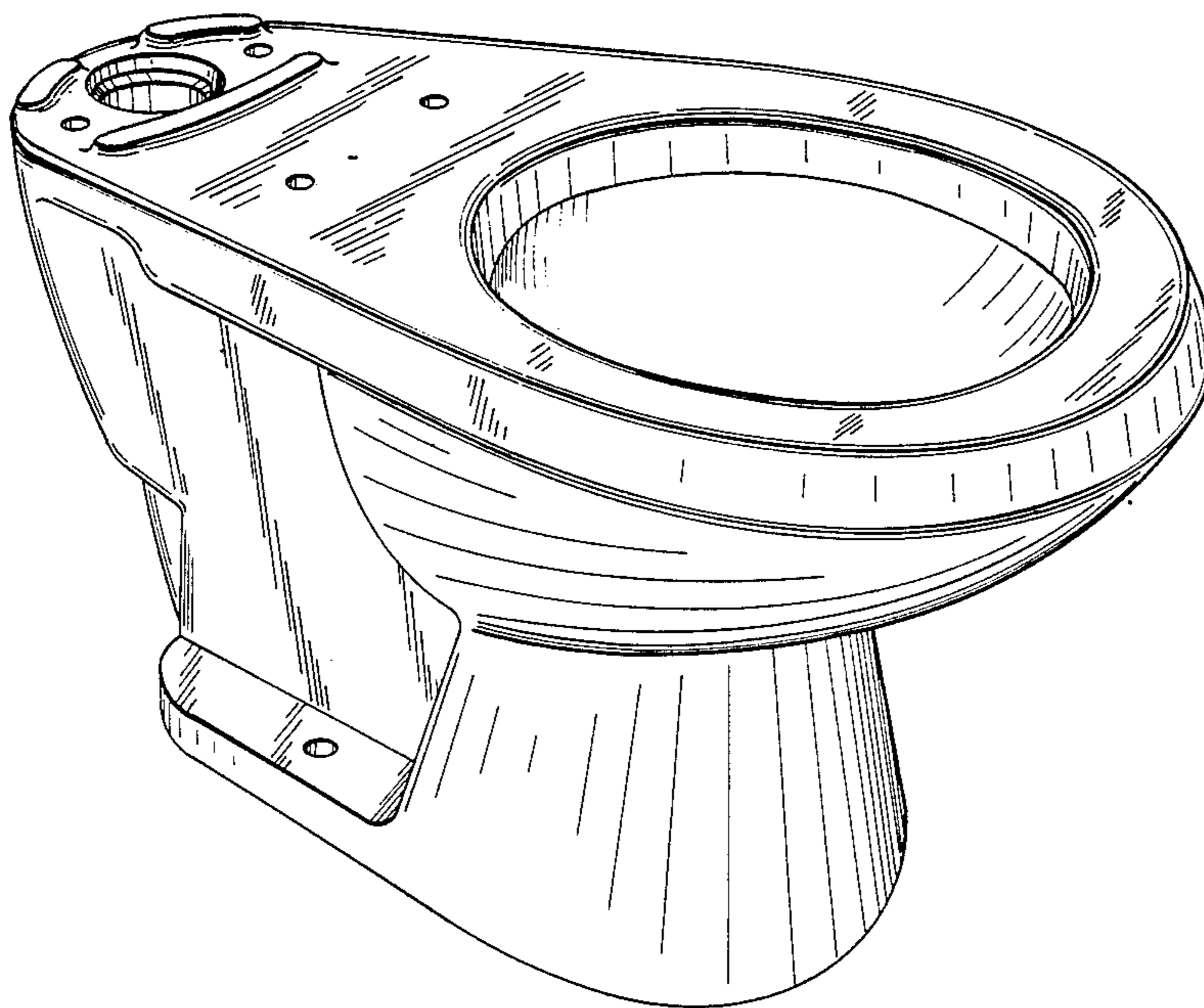


FIG. 1

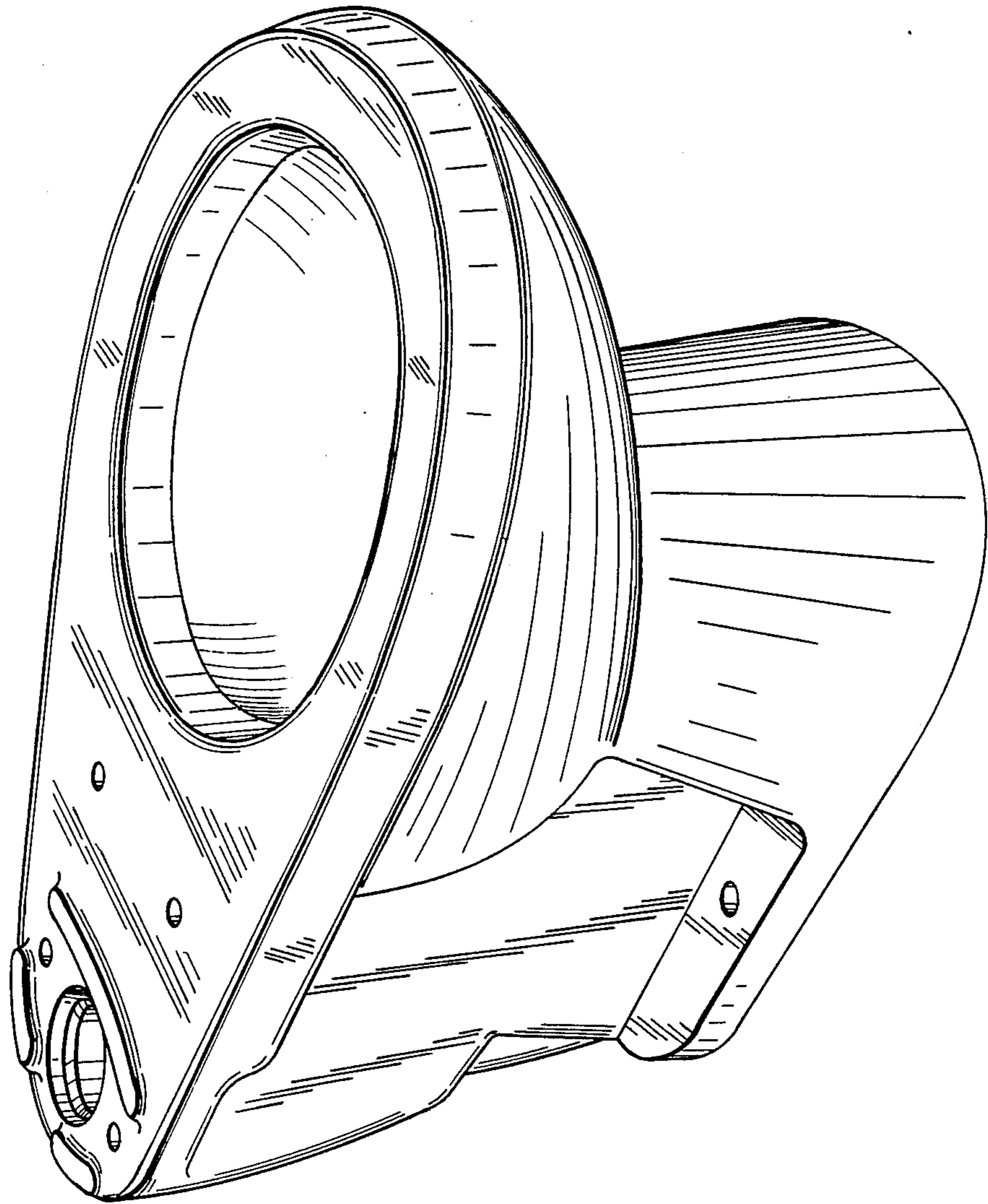


FIG. 2

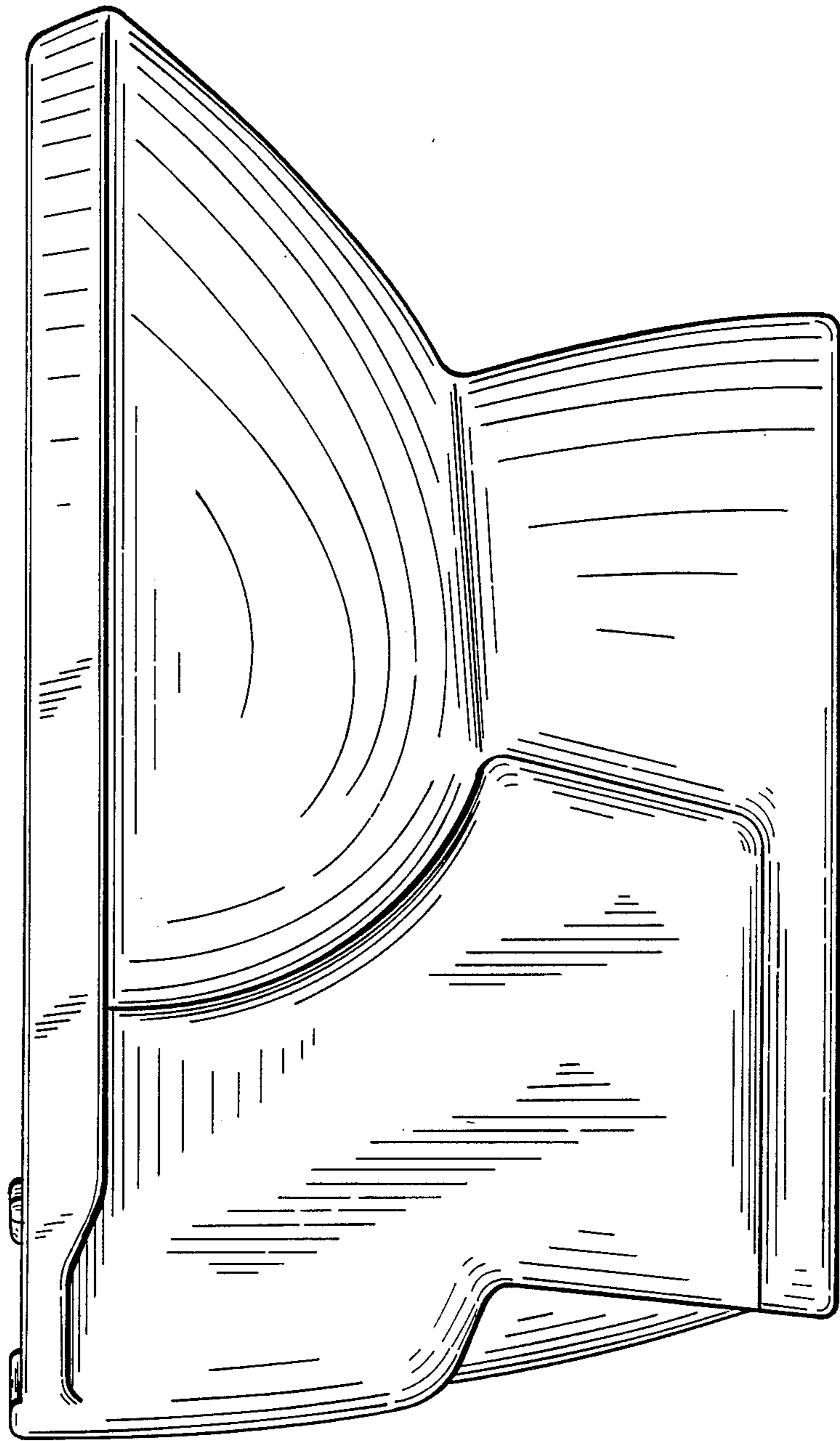


FIG. 3

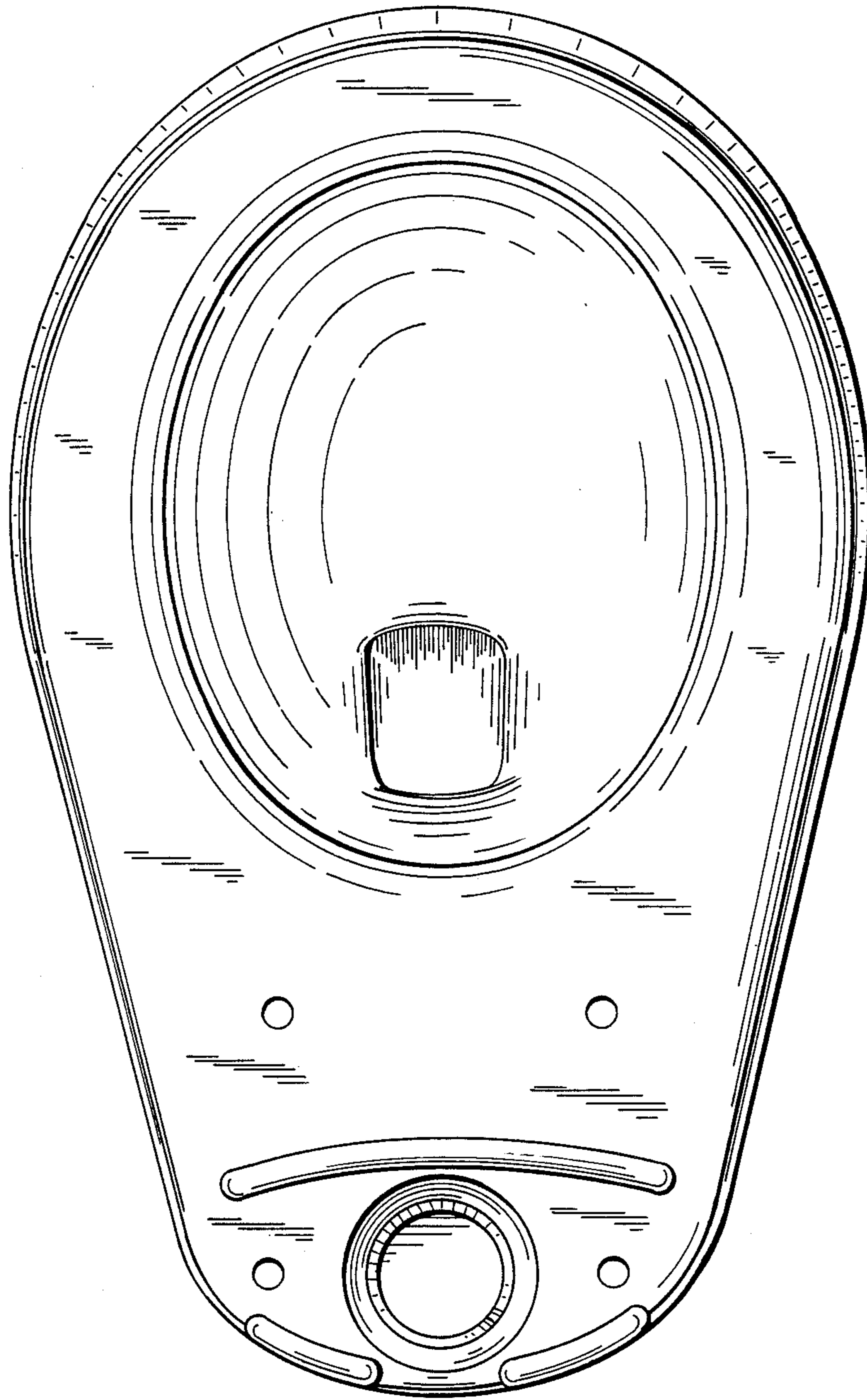


FIG. 4

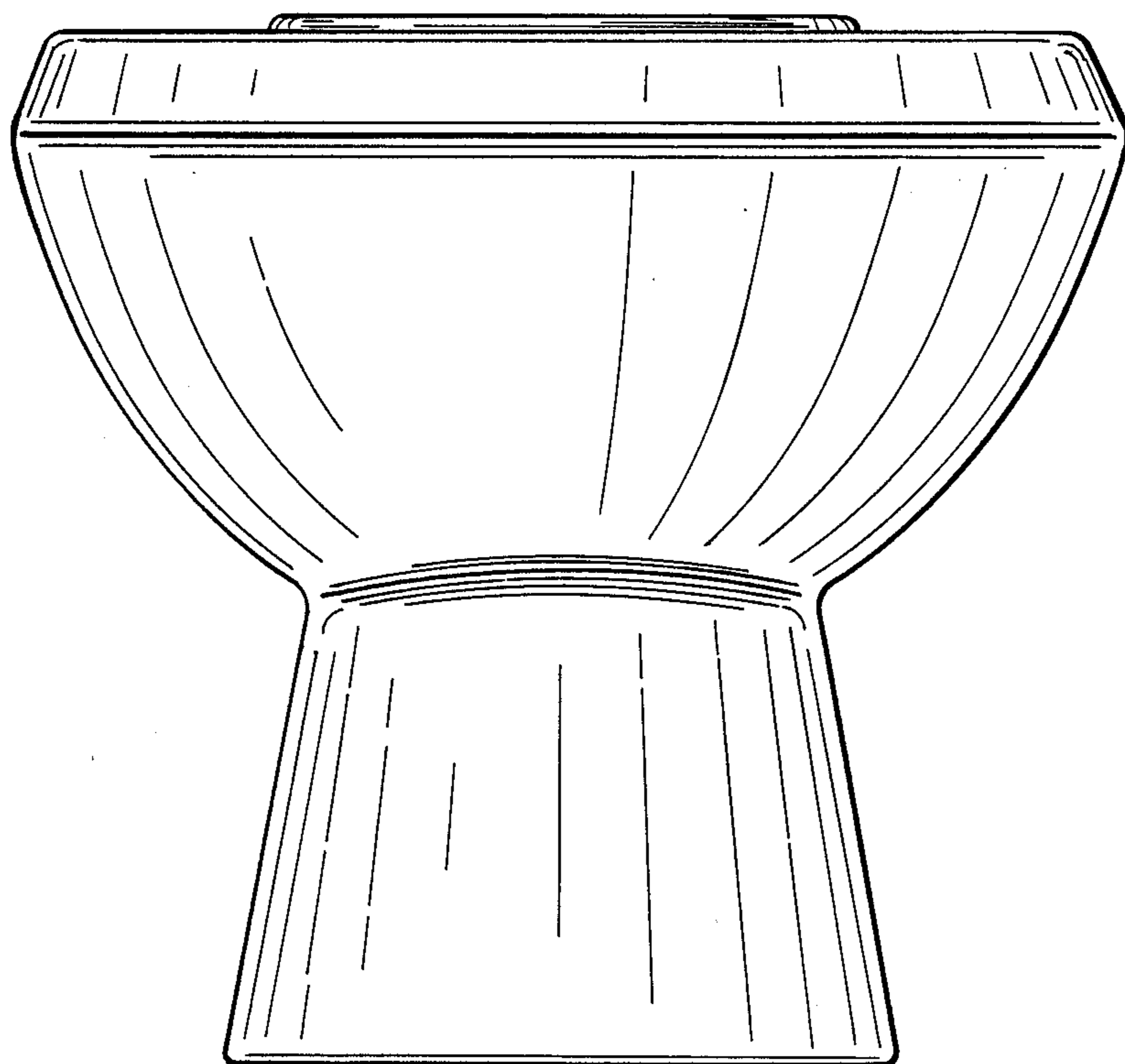


FIG. 5

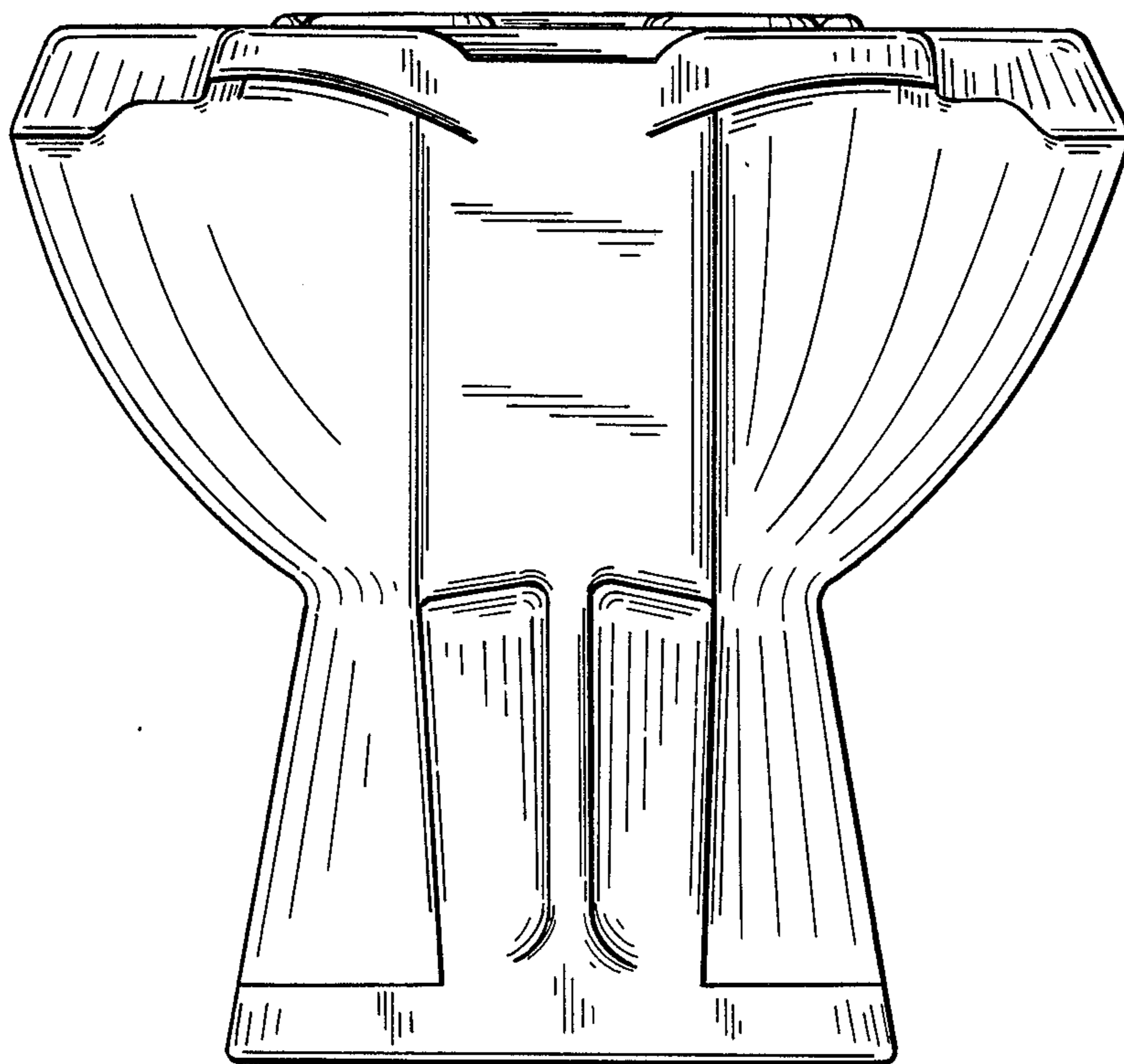


FIG. 6

