

[54] **END CAP FOR A TUBE**

[76] **Inventor: Don Patterson, 4298 Shirley La., Salt Lake City, Utah 84124**

[**] **Term: 14 Years**

[21] **Appl. No.: 904,263**

[22] **Filed: Sep. 5, 1986**

[52] **U.S. Cl. D23/260**

[58] **Field of Search D23/260; 138/96, 96 T; 220/284, 293, 298, 300; 285/901**

[56] **References Cited**

U.S. PATENT DOCUMENTS

D. 188,087	5/1960	Rowell	D23/260
D. 209,279	11/1967	Quick	D23/260
D. 209,378	11/1967	Pomroy	D23/260
D. 216,694	3/1970	Lause	D23/260
D. 223,156	3/1972	Campbell	D23/260

D. 281,350	11/1985	Heier	D23/260
674,530	5/1901	Wilcox	220/28 A
2,277,713	3/1942	Parker	138/96 T
3,525,366	8/1970	DeFrees	138/96 T
3,993,102	11/1976	Polster et al.	138/96 T
4,139,005	2/1979	Dickey	138/96 T
4,269,232	5/1981	Witschi	138/96 R

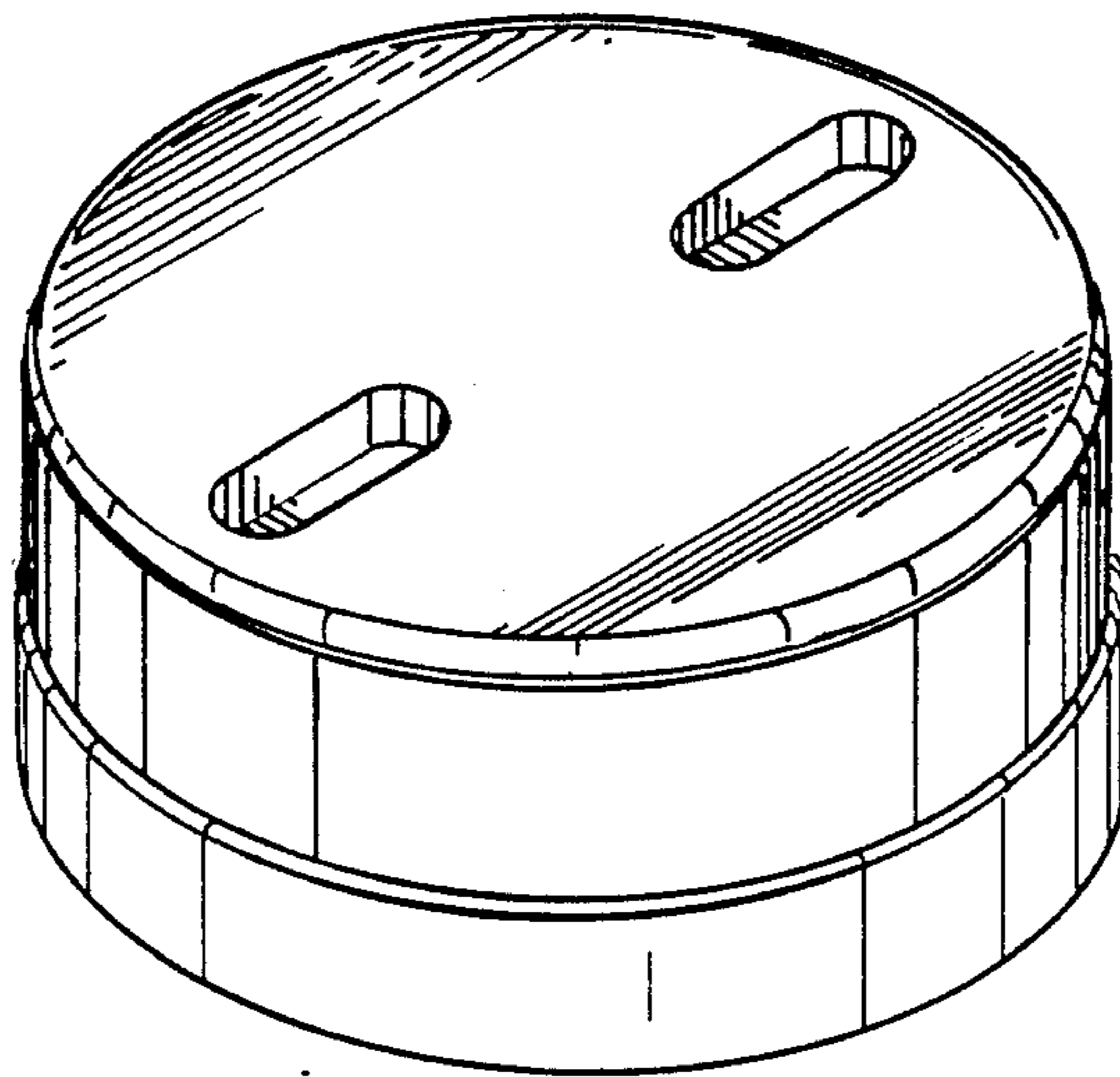
Primary Examiner—James R. Largen
Attorney, Agent, or Firm—Thorpe, North & Webster

[57] **CLAIM**

The ornamental design for an end cap for a tube, as shown and described.

DESCRIPTION

FIG. 1 is a top perspective view of a end cap for a tube showing my new design;
FIG. 2 is a top plan view thereof;
FIG. 3 is a side elevational view thereof, the other sides being the same as the side shown; and
FIG. 4 is a bottom plan view.



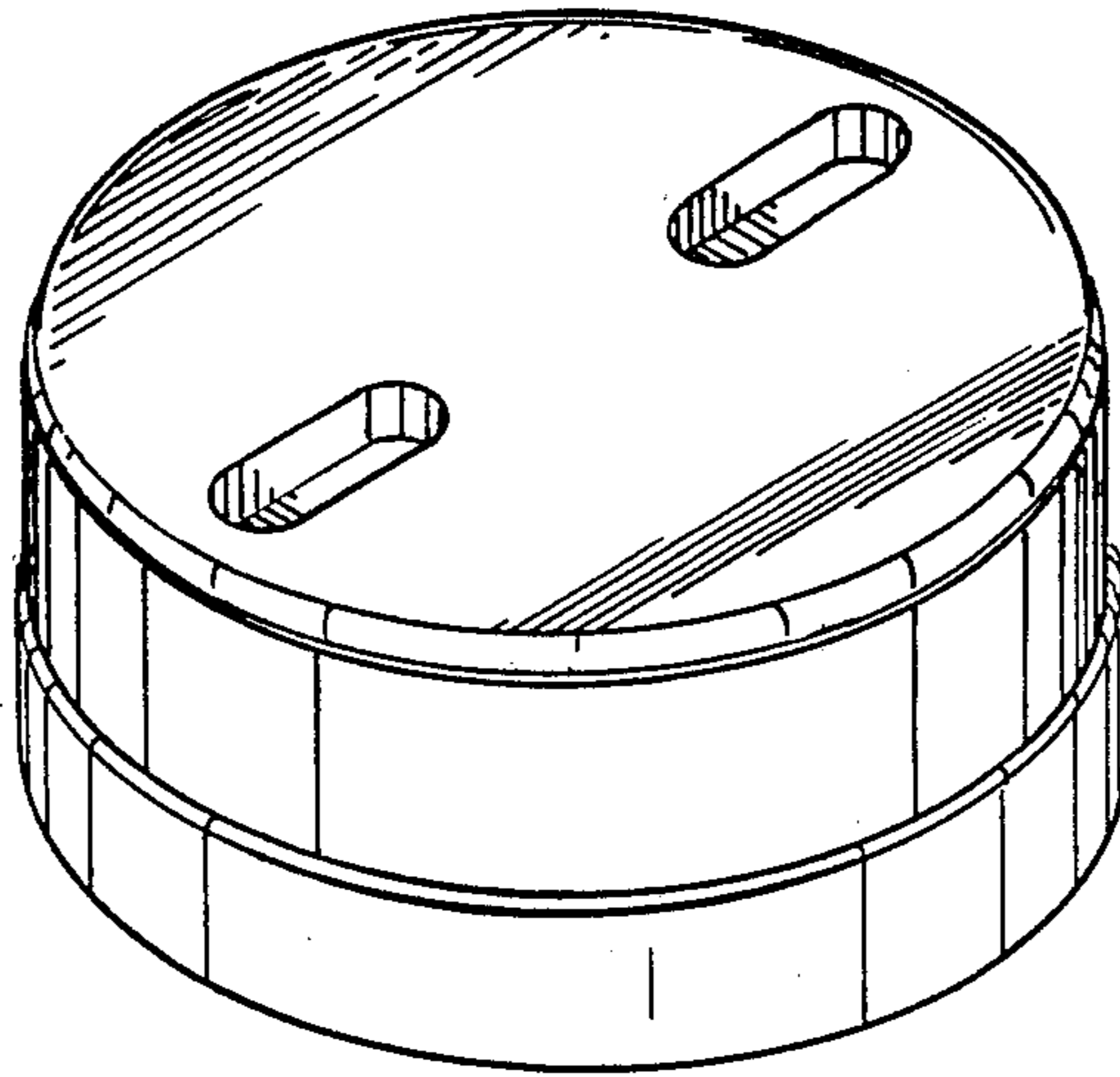


Fig. 1

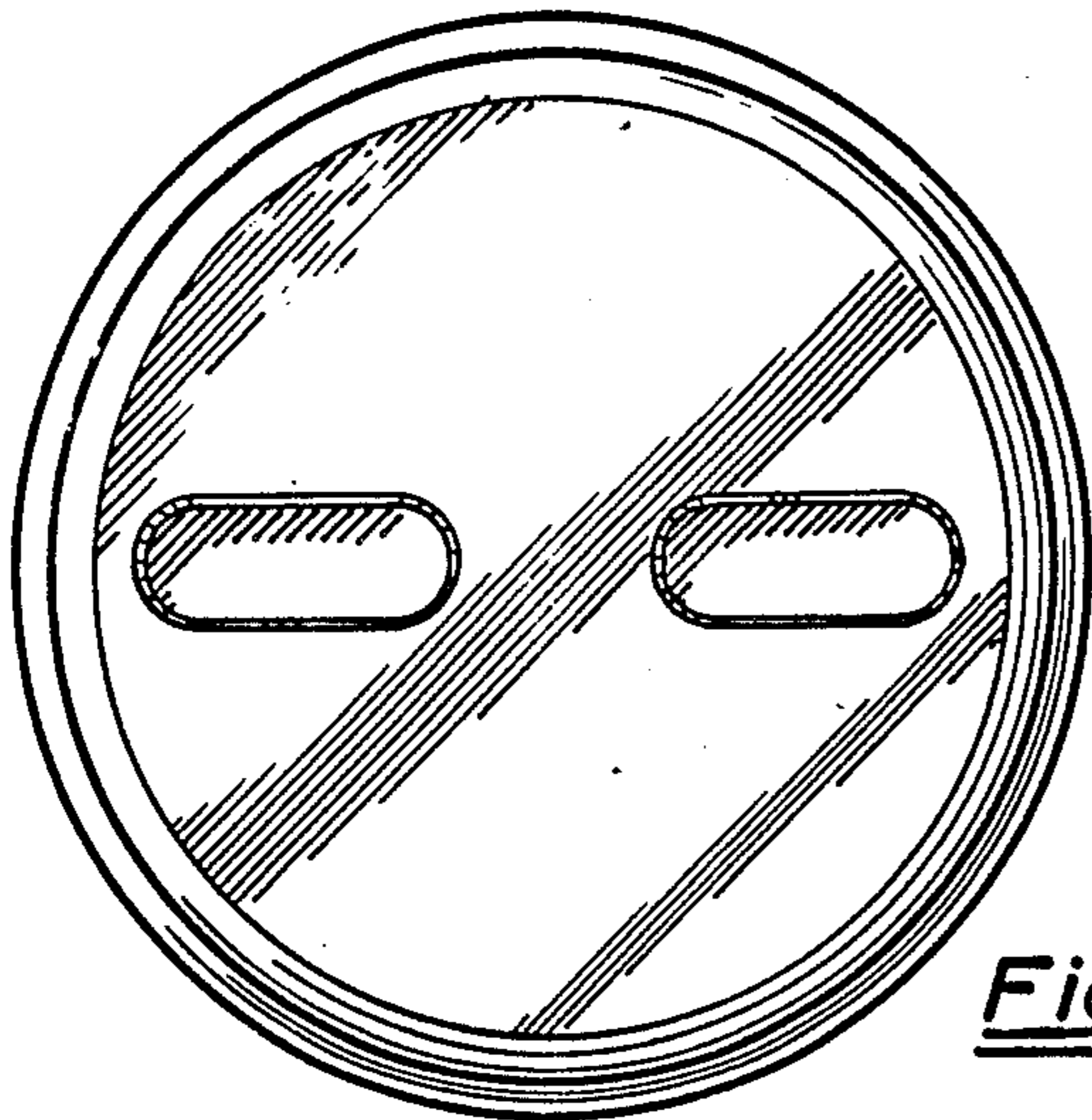


Fig. 2

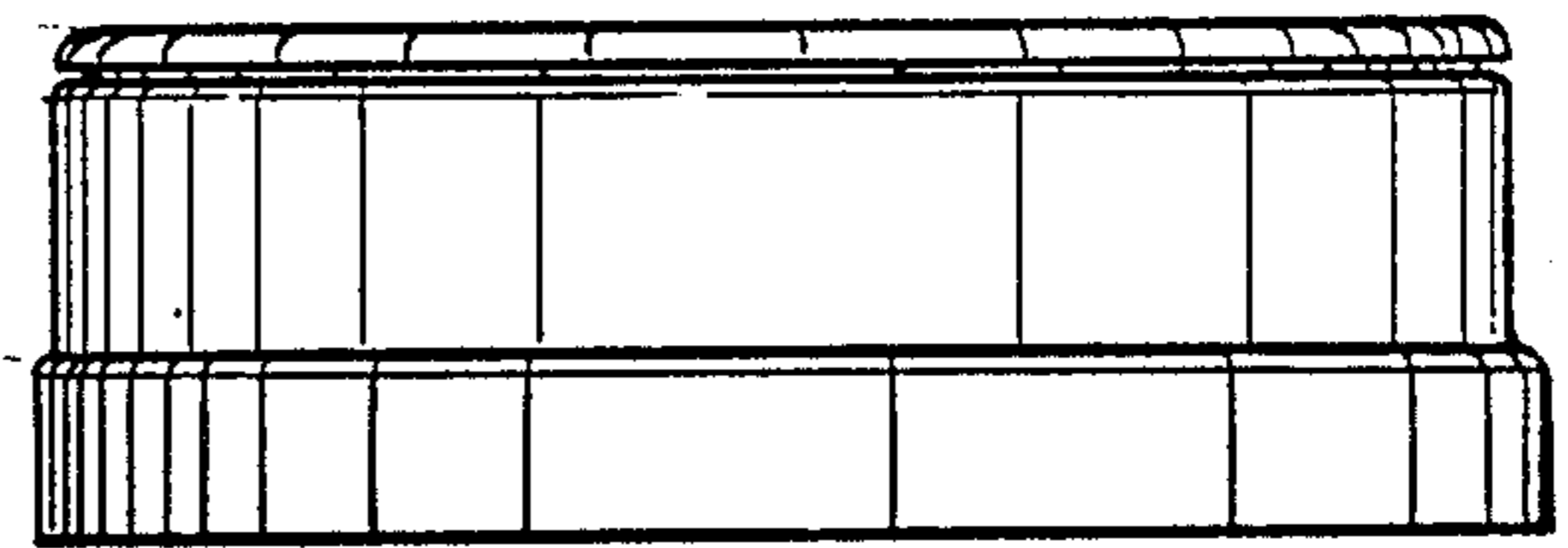


Fig. 3

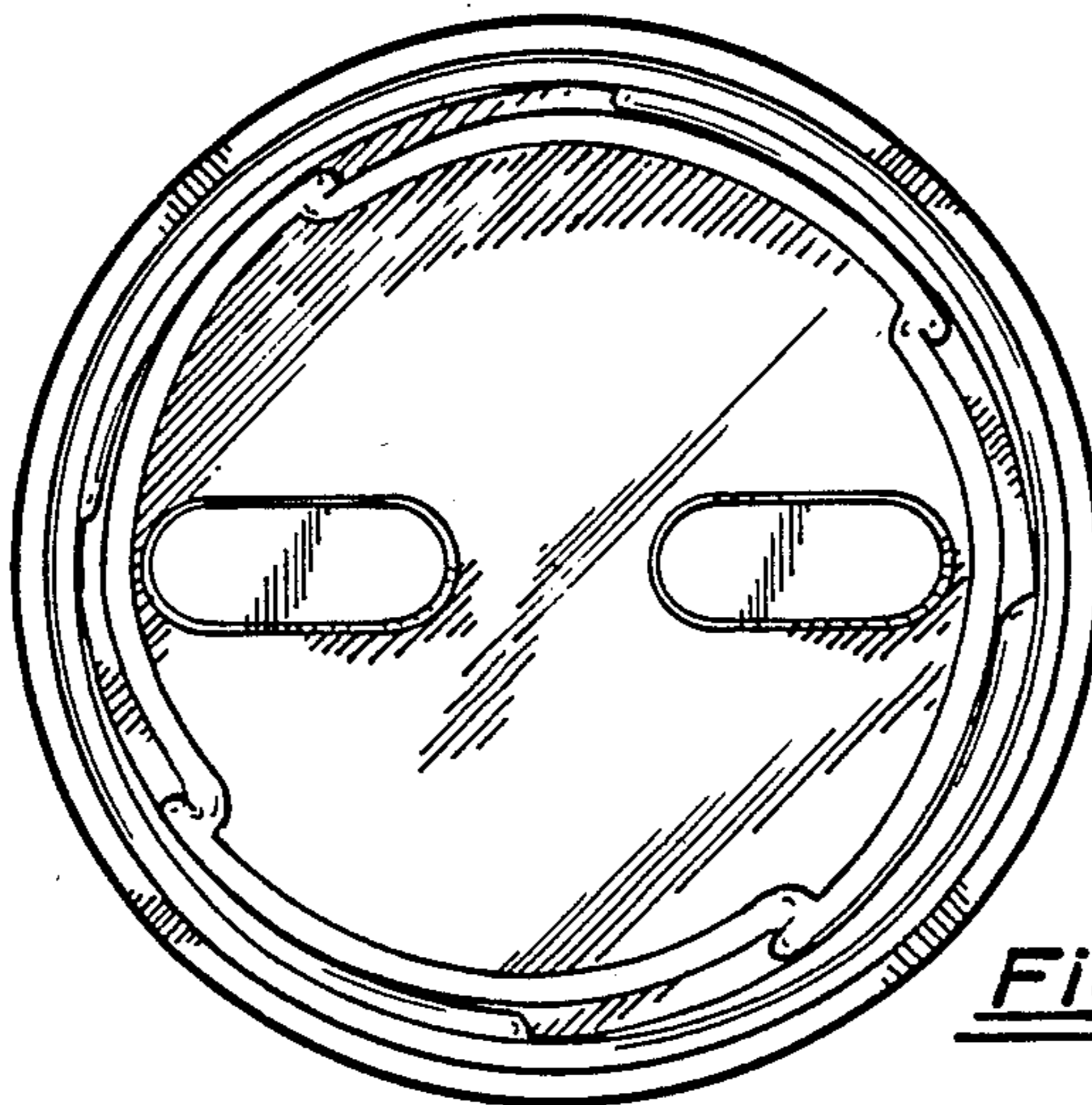


Fig. 4