

[54] VALVE FOR INFLATING TIRES, BALLOONS, OR THE LIKE

[76] Inventor: John D. Corley, 410 Hernandos Loop, Leander, Tex. 78641

[\*\*] Term: 14 Years

[21] Appl. No.: 195,179

[22] Filed: May 18, 1988

[52] U.S. Cl. .... D23/233; D9/300; D15/7

[58] Field of Search ..... D15/7, 9; 141/38, 2, 141/3, 18, 26; D23/231-235; 137/224.5, 223; 152/415-418; D9/300; 222/3, 5

[56] References Cited

U.S. PATENT DOCUMENTS

D. 174,480	4/1955	Vaughan	.....	D15/7
D. 220,134	3/1971	Stut	.....	D15/7
D. 246,377	11/1977	Pansini	.....	D23/233
D. 257,354	10/1980	Fish	.....	D15/9
D. 278,244	4/1985	Boetger	.....	D15/7
D. 300,172	3/1989	Martin	.....	D23/235
D. 301,245	5/1989	Hefling	.....	D15/7
2,016,113	10/1935	Lambert et al.	.....	222/5
2,574,028	11/1951	Fields et al.	.....	222/5
2,991,629	7/1961	Rose	.....	141/38 X
3,161,322	12/1964	Stone	.....	222/5

3,221,932	12/1965	Anderson	.....	222/5
3,237,806	3/1966	Nelson et al.	.....	222/5
4,168,015	9/1979	Robinette	.....	222/3
4,498,605	2/1985	Mackal et al.	.....	222/5
4,653,550	3/1987	Crowley	.....	137/223
4,694,850	9/1987	Fumino	.....	222/5 X
4,697,611	10/1987	Winland et al.	.....	141/2 X

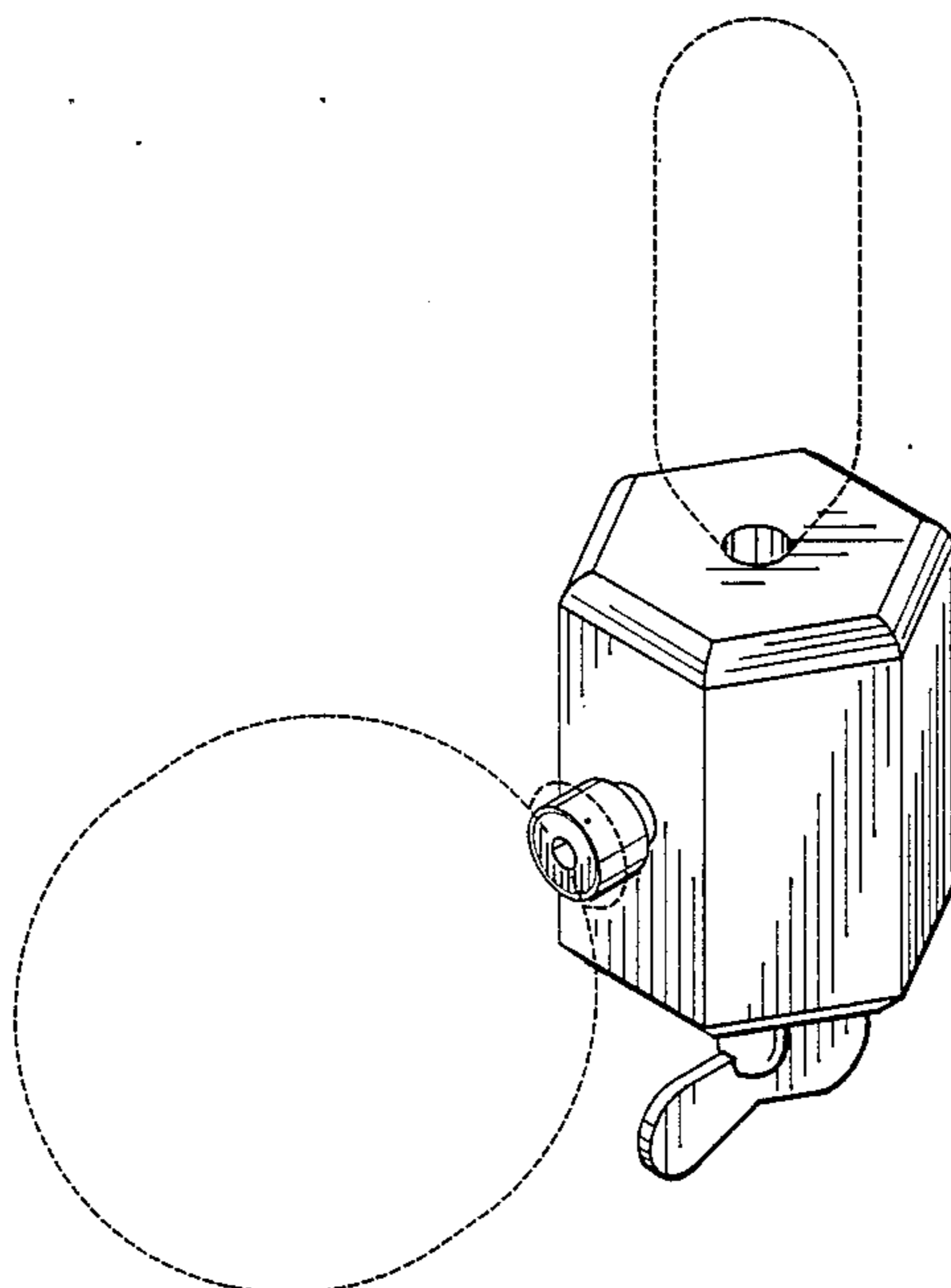
Primary Examiner—A. Hugo Word  
Assistant Examiner—Doris V. Coles  
Attorney, Agent, or Firm—Jerry T. Kearns

[57] CLAIM

The ornamental design for a valve for inflating tires, balloons, or the like, as shown and described.

DESCRIPTION

FIG. 1 is a front elevational view of a valve for inflating tires, balloons or the like showing my new design; FIG. 2 is a rear elevational view thereof; FIG. 3 is a left side elevational view thereof; FIG. 4 is a right side elevational view thereof; FIG. 5 is a top plan view thereof; FIG. 6 is a bottom plan view thereof; and, FIG. 7 is a perspective view thereof, illustrating an example use of the article to inflate a balloon. The broken line showing of a cartridge in FIGS. 1, 2, 4, 5, and 6 and a cartridge and balloon in FIG. 7 is for illustrative purposes only and forms no part of the claimed design.



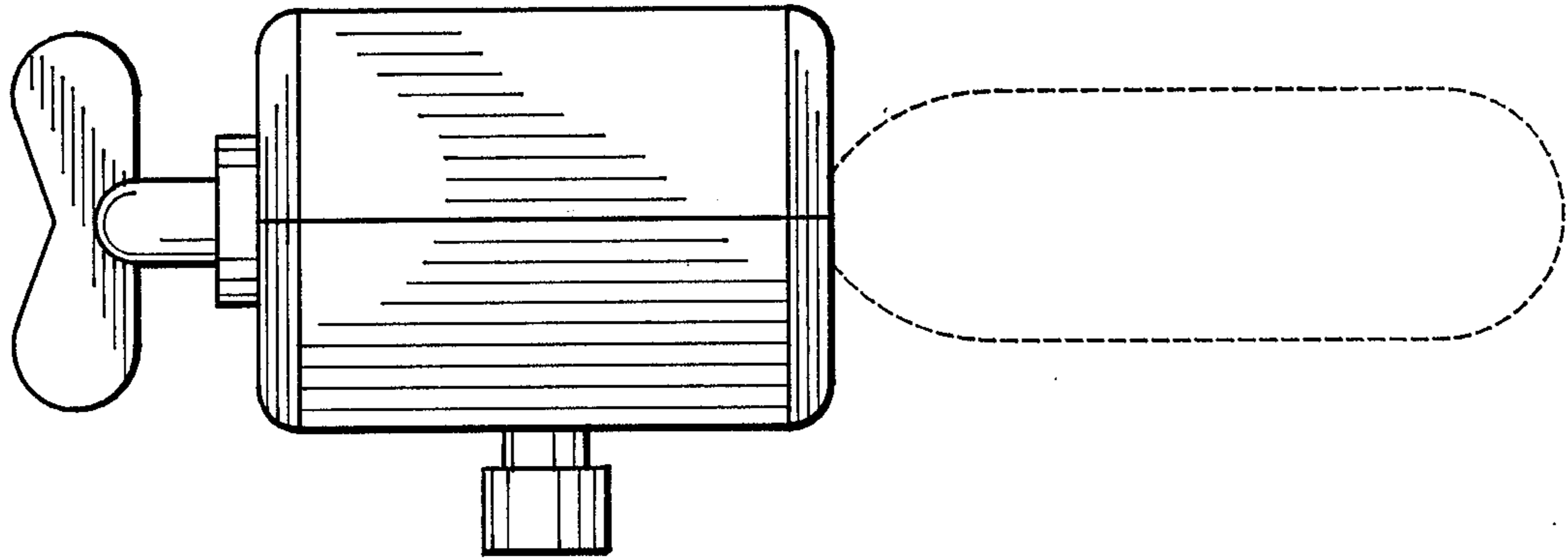


Fig. 1

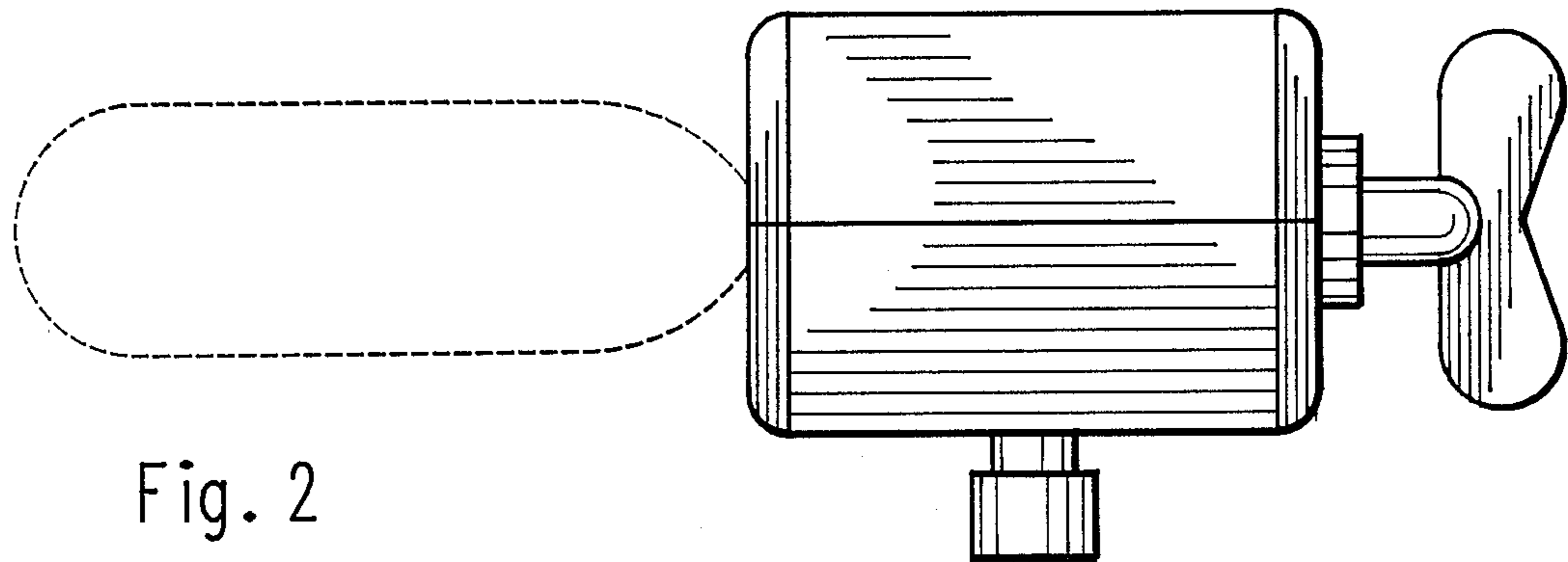


Fig. 2

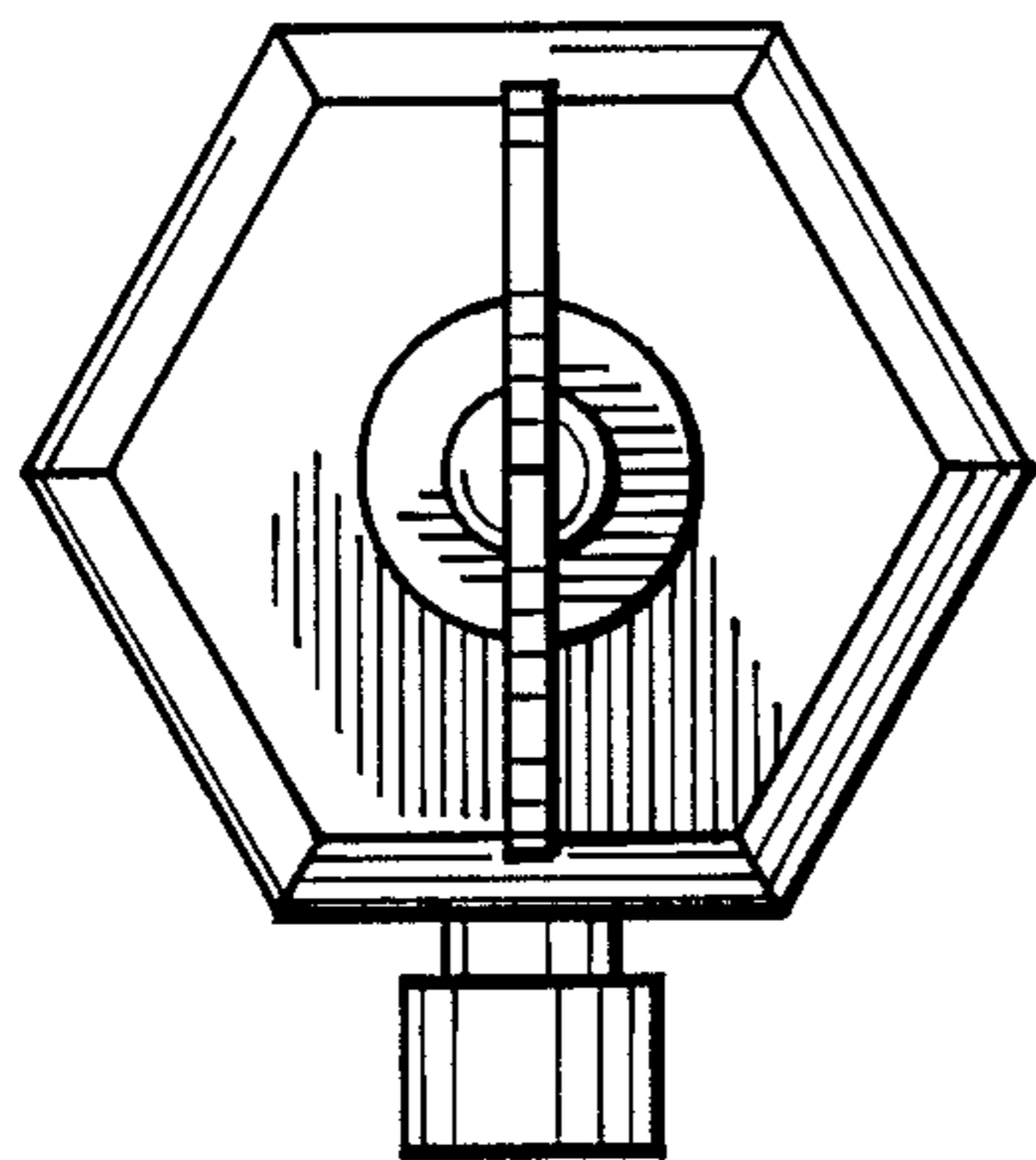


Fig. 3

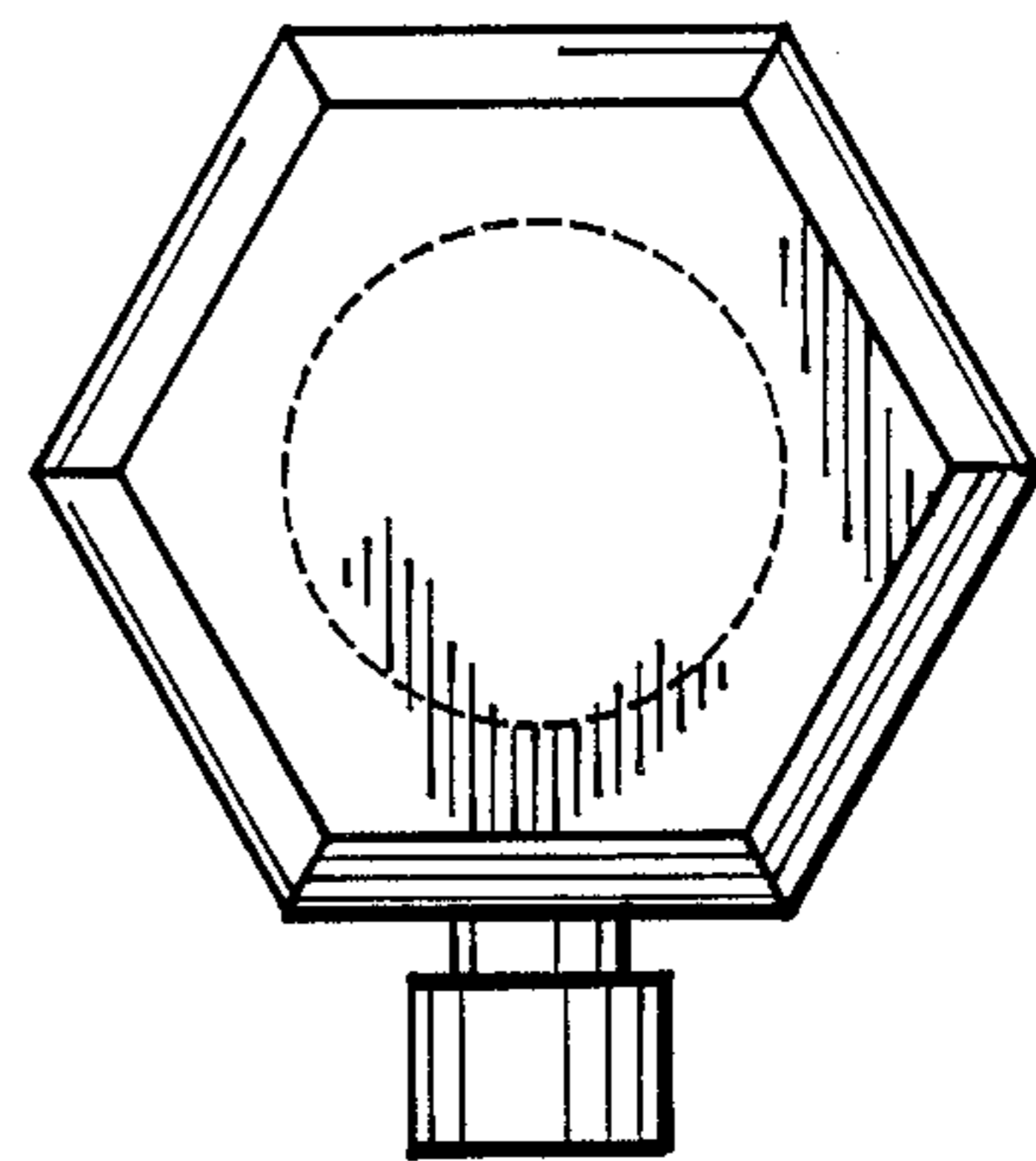


Fig. 4

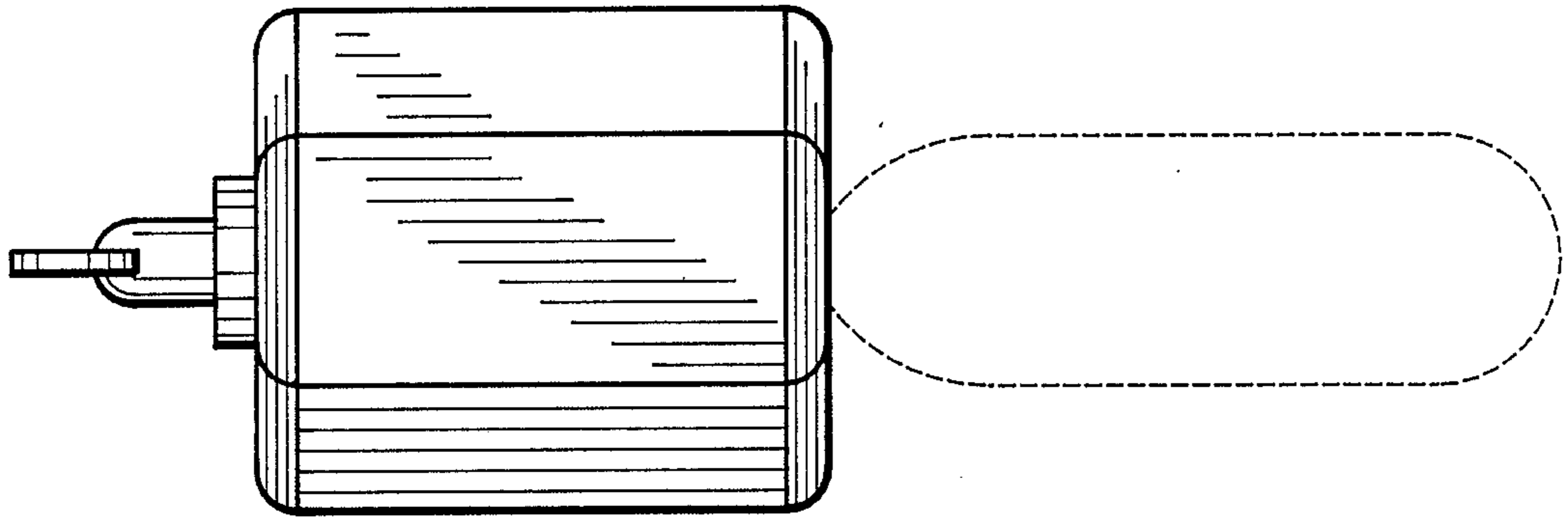


Fig. 5

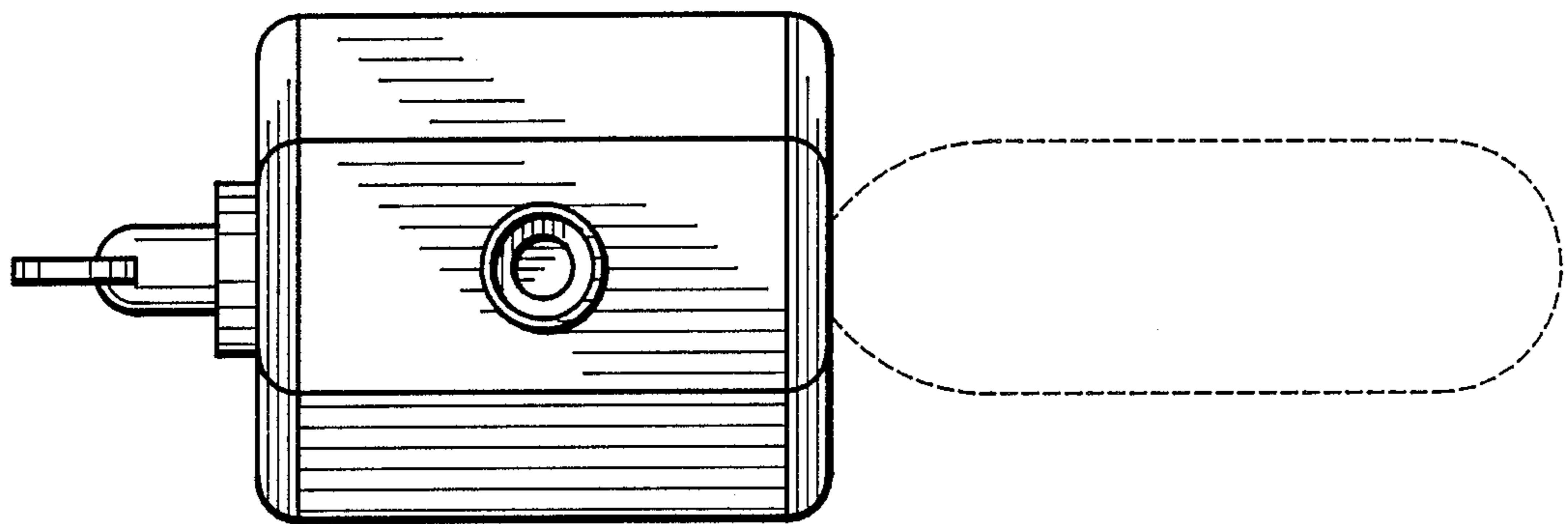


Fig. 6

Fig. 7

