

# United States Patent [19]

Peterson

[11] Patent Number: **Des. 311,051**

[45] Date of Patent: **\*\* Oct. 2, 1990**

[54] **FISHING REEL**

[75] Inventor: **Robert J. Peterson, Claremore, Okla.**

[73] Assignee: **Swede Industries, Inc., Claremore, Okla.**

[\*\*] Term: **14 Years**

[21] Appl. No.: **215,923**

[22] Filed: **Jul. 6, 1988**

[52] U.S. Cl. .... **D22/141**

[58] Field of Search ..... **D22/140; 242/234-239**

[56] **References Cited**

### U.S. PATENT DOCUMENTS

- D. 273,220 3/1984 Inuma et al. .... D22/141  
D. 273,886 5/1984 Fee et al. .... D22/141

- D. 277,694 2/1985 Sakamoto et al. .... D22/141  
3,190,578 6/1965 Kondo ..... 242/234

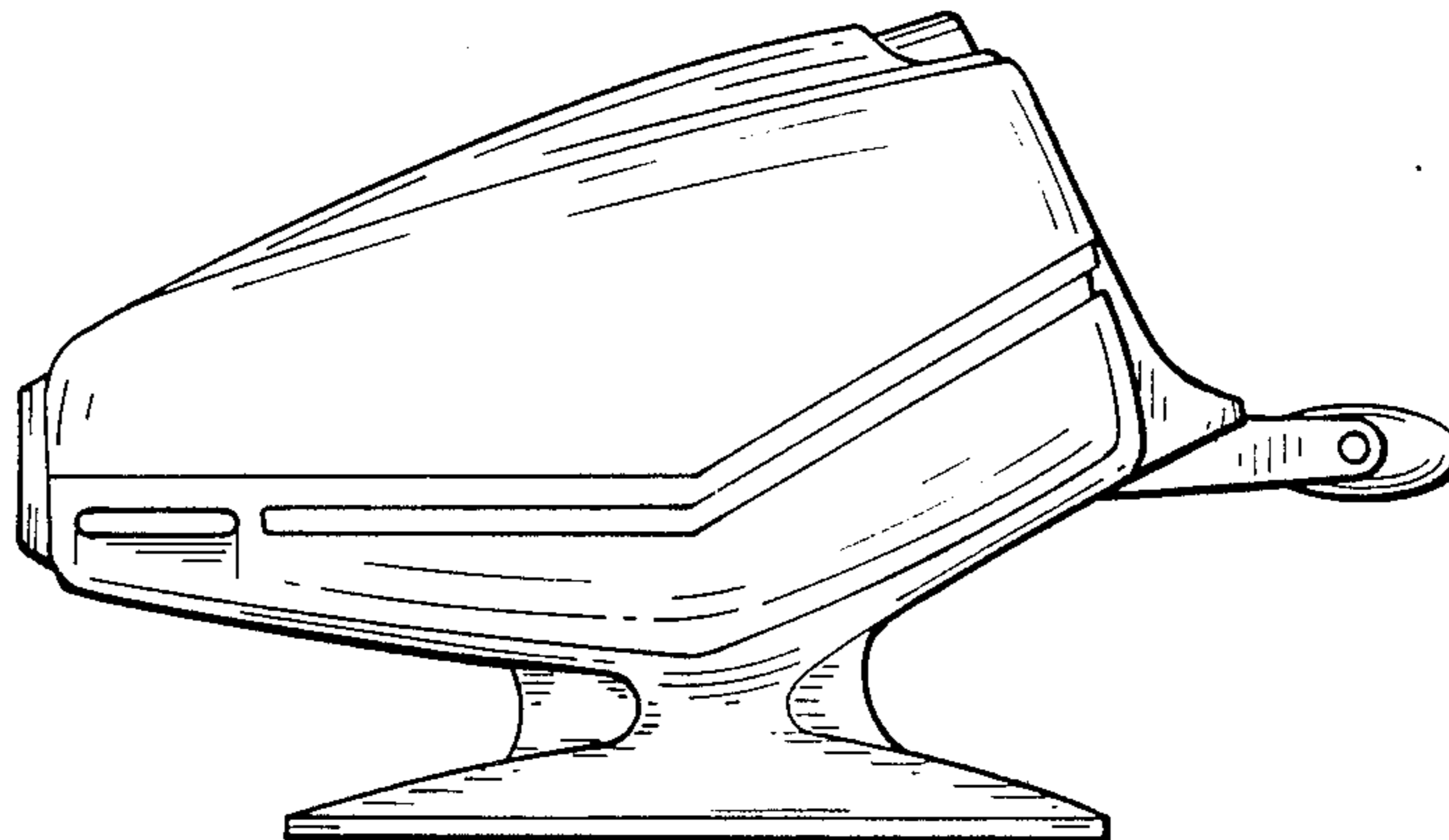
*Primary Examiner*—A. Hugo Word  
*Assistant Examiner*—Doris V. Coles  
*Attorney, Agent, or Firm*—Head & Johnson

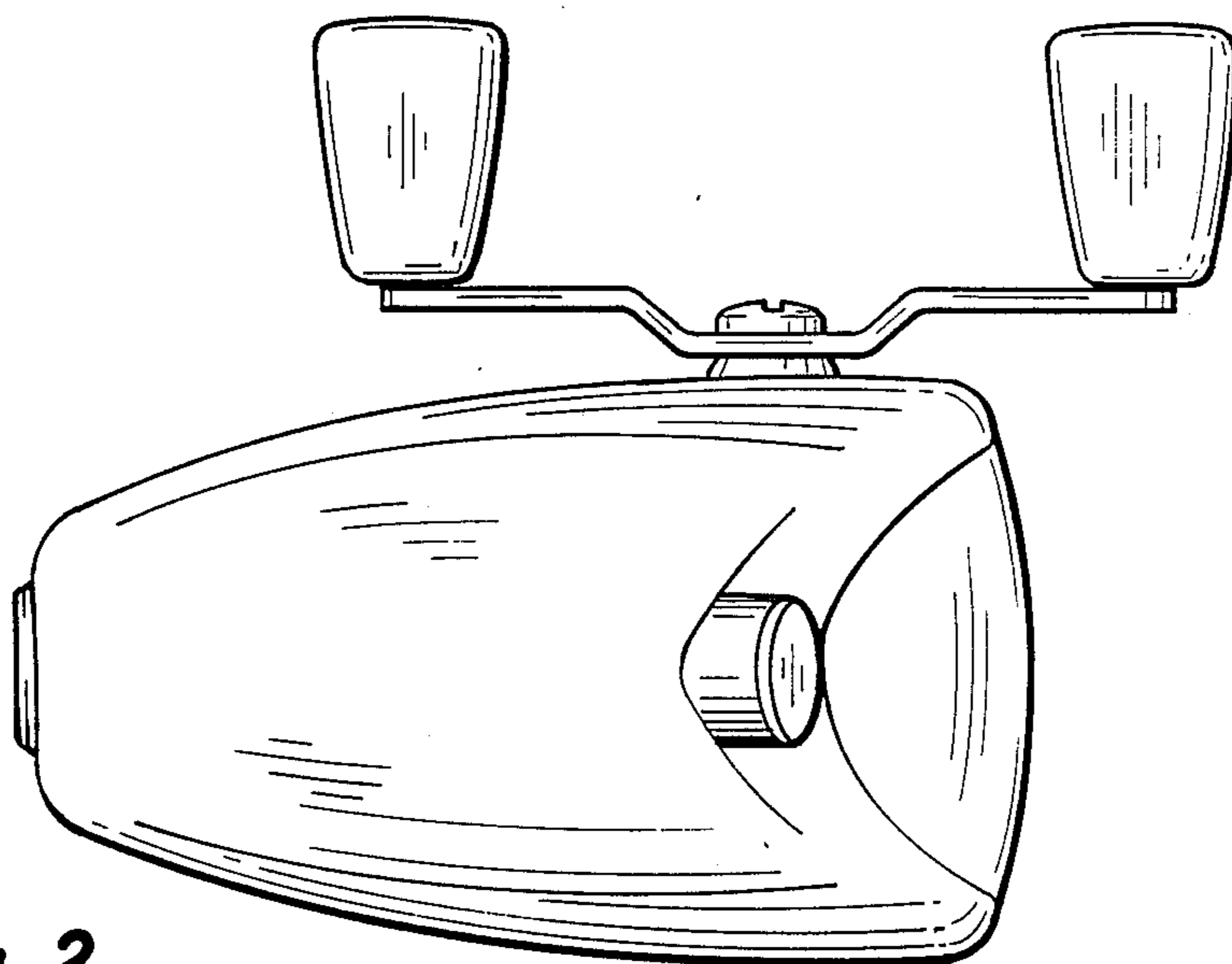
[57] **CLAIM**

The ornamental design for a fishing reel, as shown.

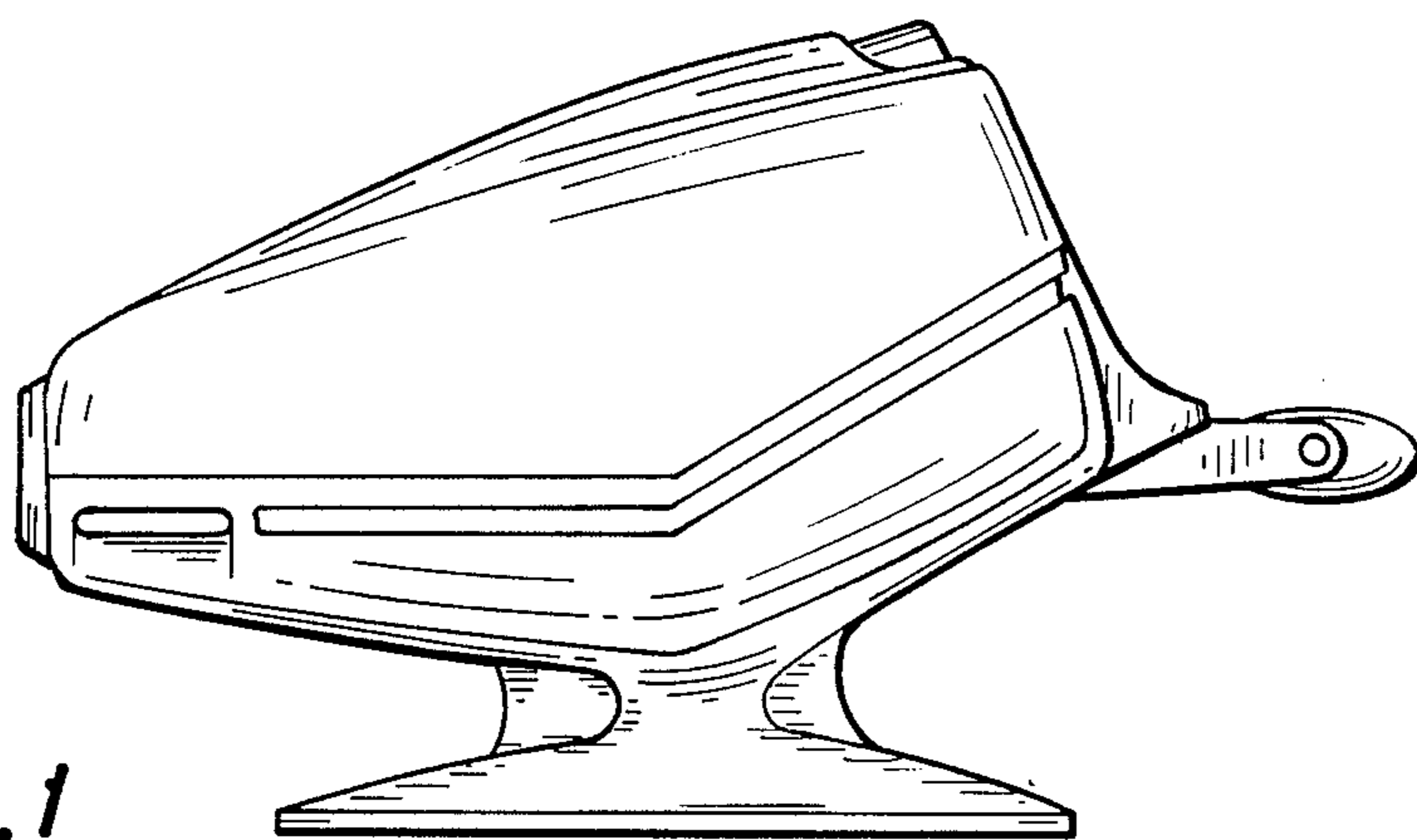
### DESCRIPTION

FIG. 1 is a left side elevational view of a fishing reel, showing my new design;  
FIG. 2 is a top plan view thereof;  
FIG. 3 is a front elevational view thereof;  
FIG. 4 is a rear elevational view thereof;  
FIG. 5 is a bottom plan view thereof; and  
FIG. 6 is a right side elevational view thereof.

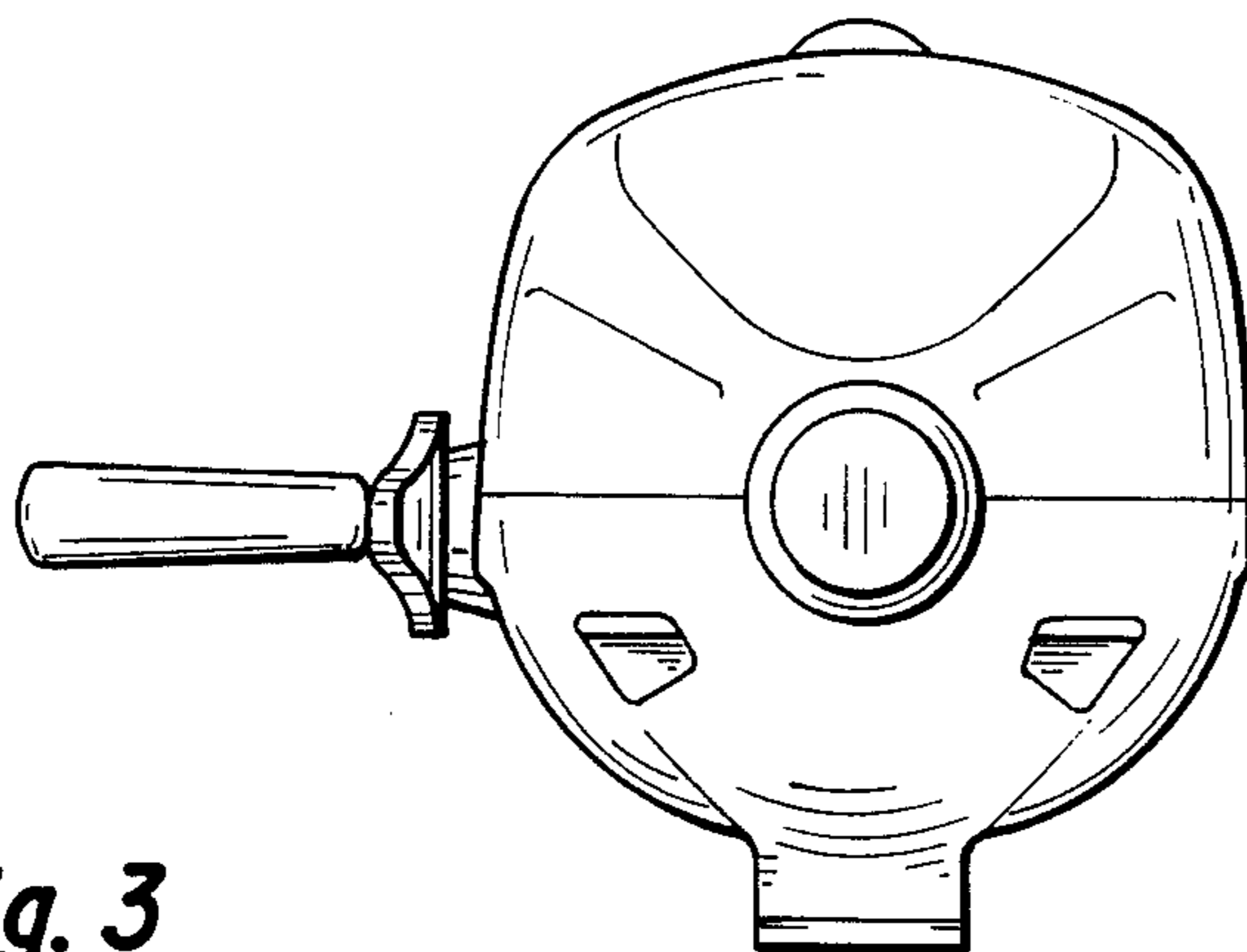




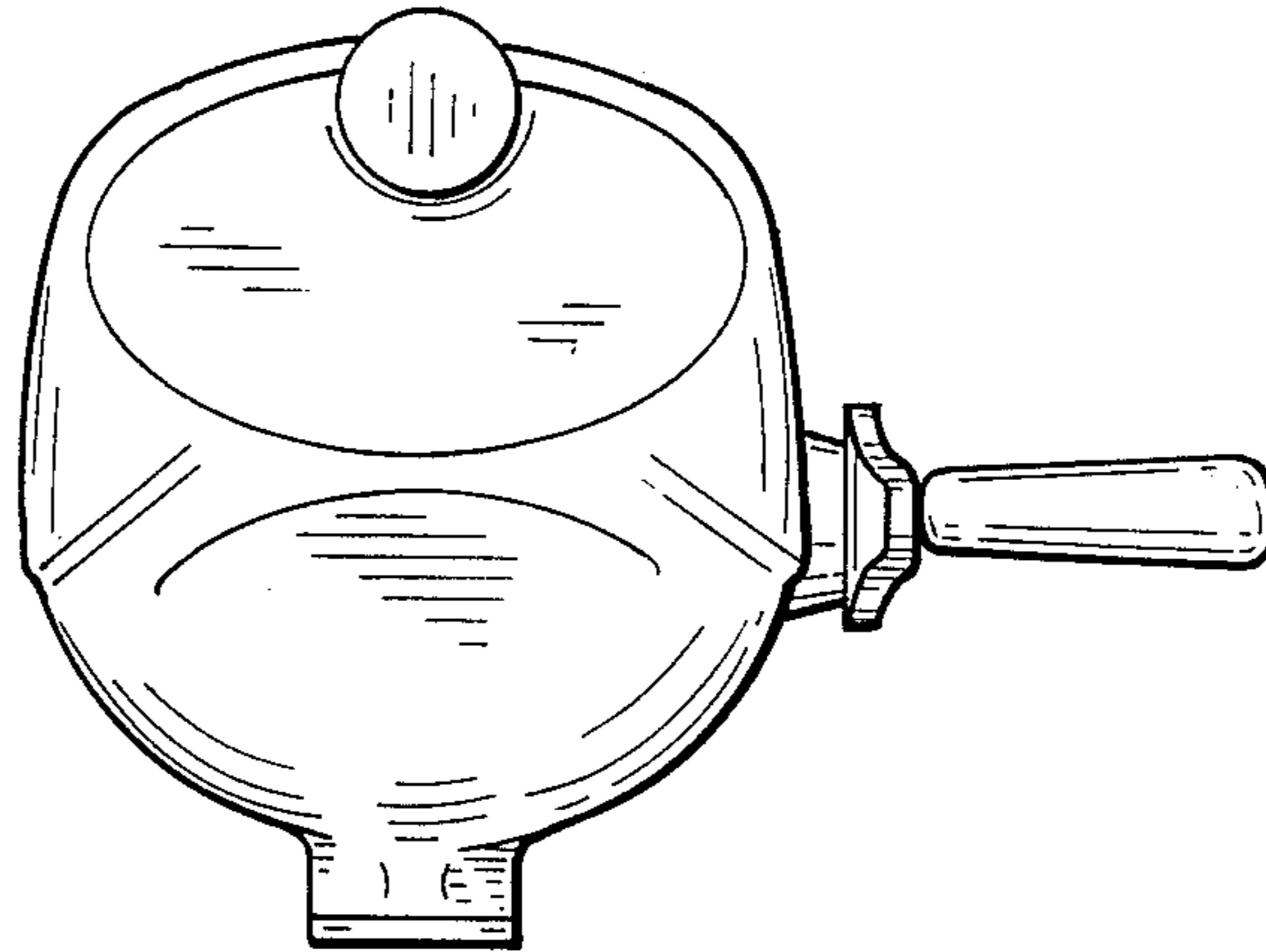
*Fig. 2*



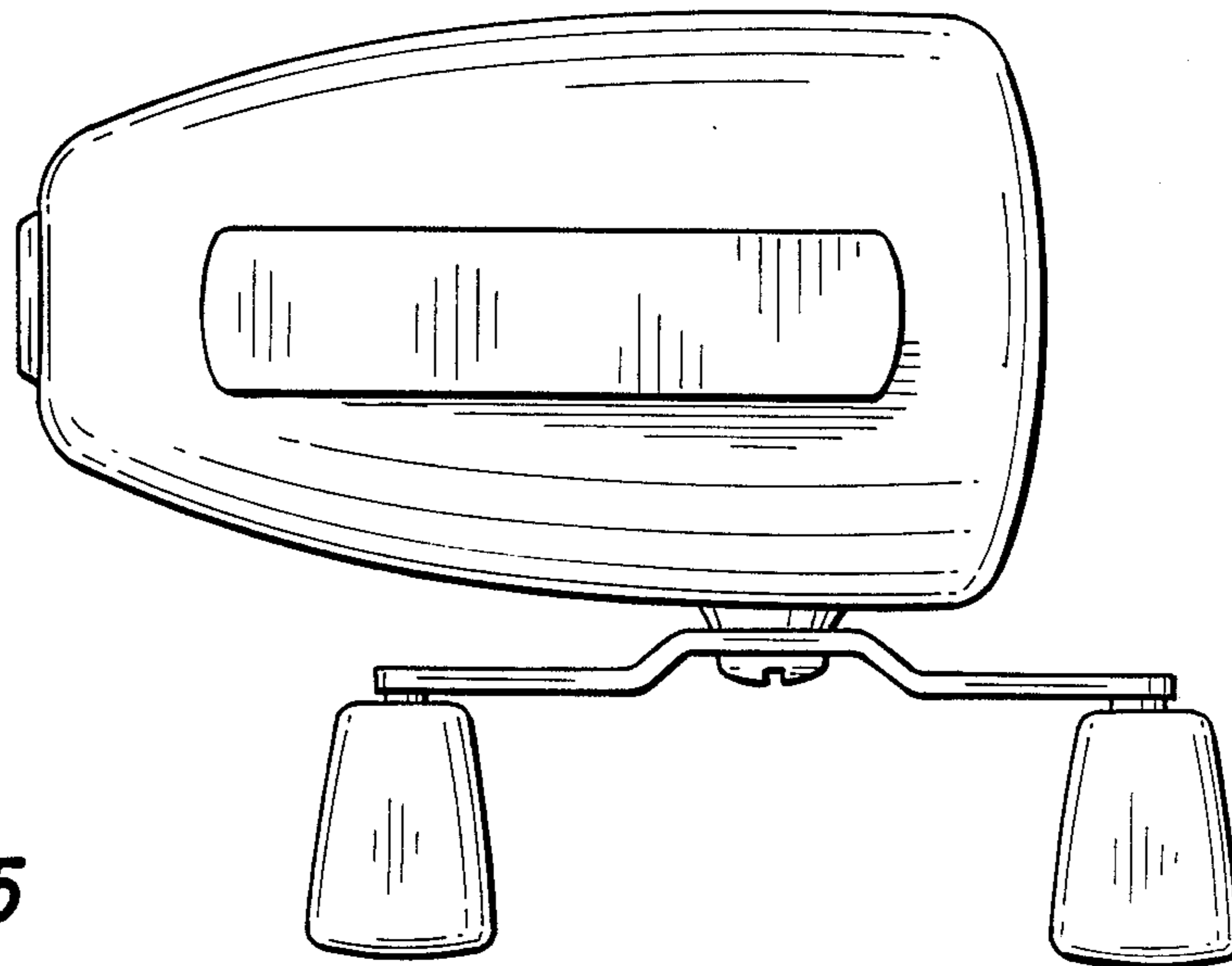
*Fig. 1*



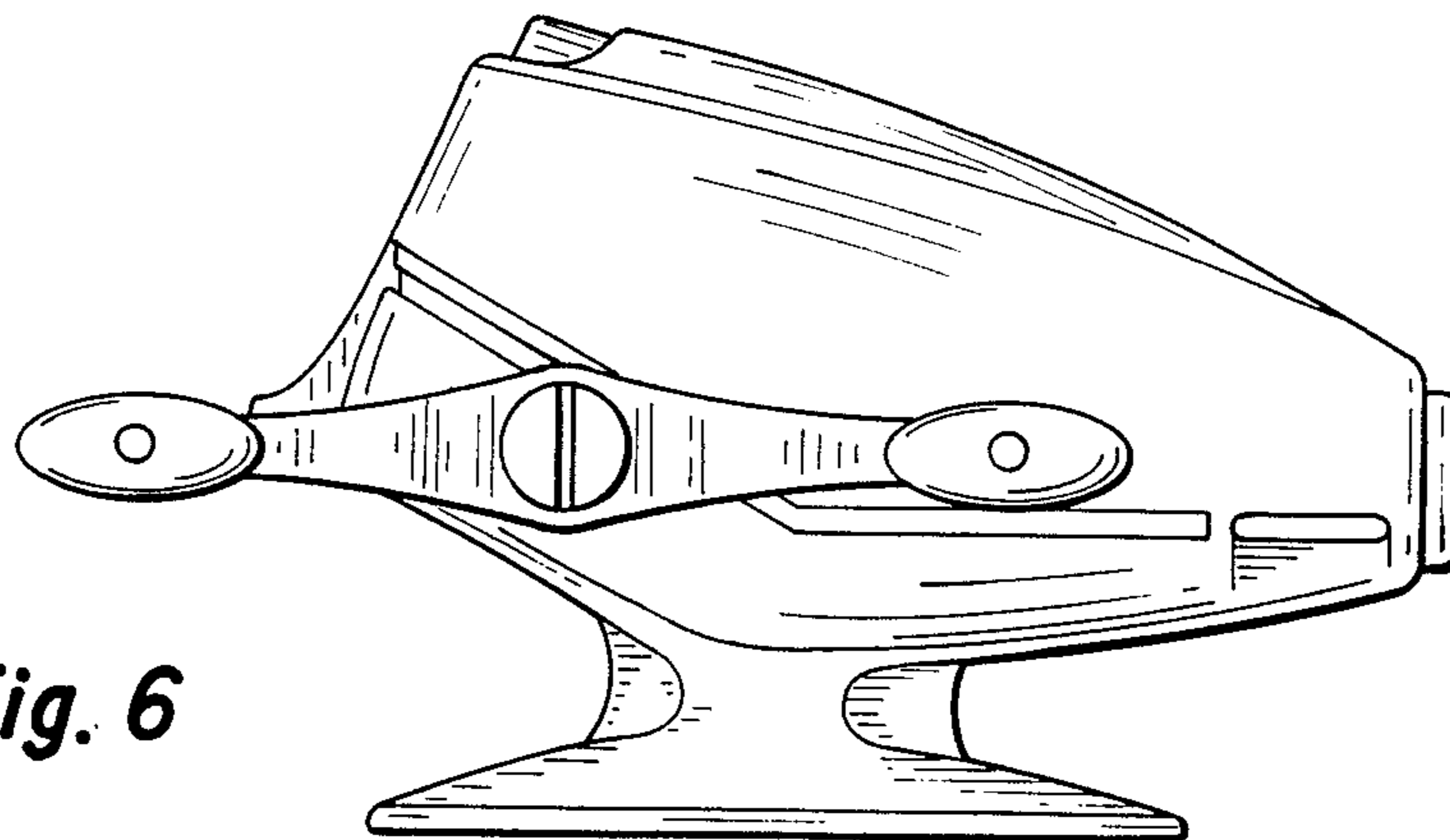
*Fig. 3*



*Fig. 4*



*Fig. 5*



*Fig. 6*