

[54] FLY SWATTER

[76] Inventor: Mark R. Lisitza, 2013 S. 83rd St., West Allis, Wis. 53219

[\*\*] Term: 14 Years

[21] Appl. No.: 68,048

[22] Filed: Jun. 29, 1987

[52] U.S. Cl. .... D22/124

[58] Field of Search ..... D22/124, 119, 122; 43/137, 110, 131

[56] References Cited

U.S. PATENT DOCUMENTS

2,545,215	3/1957	Sharpe	43/137
3,191,339	6/1965	Dougherty	43/137
3,996,690	12/1976	Ridings	.
4,787,171	11/1988	Dagenais	43/137

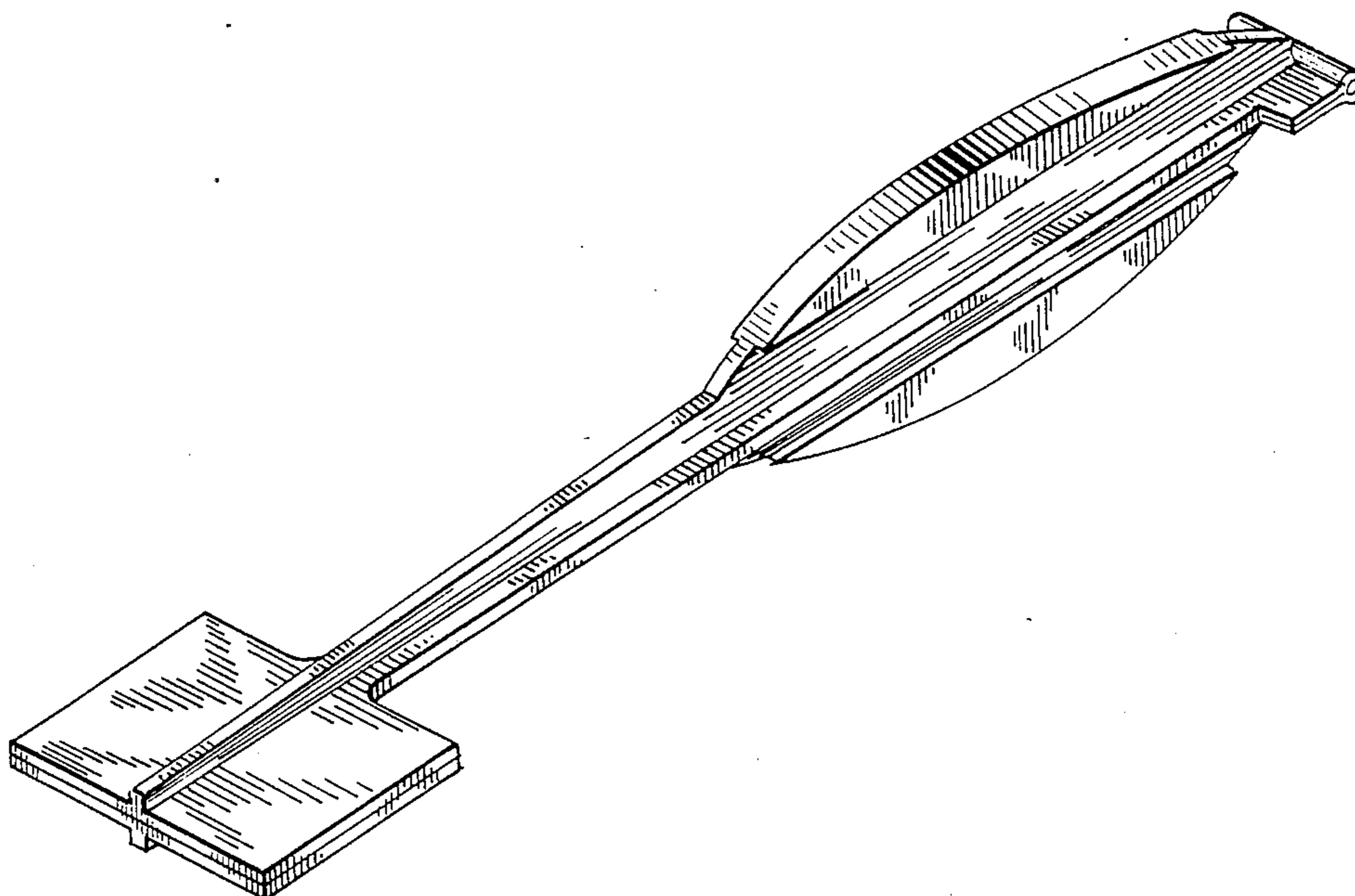
Primary Examiner—A. Hugo Word  
Assistant Examiner—Doris V. Coles  
Attorney, Agent, or Firm—Andrus, Scales, Starke & Sawall

[57] CLAIM

The ornamental design for a fly swatter, as shown and described.

DESCRIPTION

FIG. 1 is a side elevational view of a fly swatter, showing my new design;  
FIG. 2 is a top plan view, the opposite side being a mirror image thereof;  
FIG. 3 is a side elevational view of the opposite side of FIG. 1;  
FIG. 4 is a front elevational view thereof;  
FIG. 5 is a rear elevational view thereof; and  
FIG. 6 is a perspective view thereof.



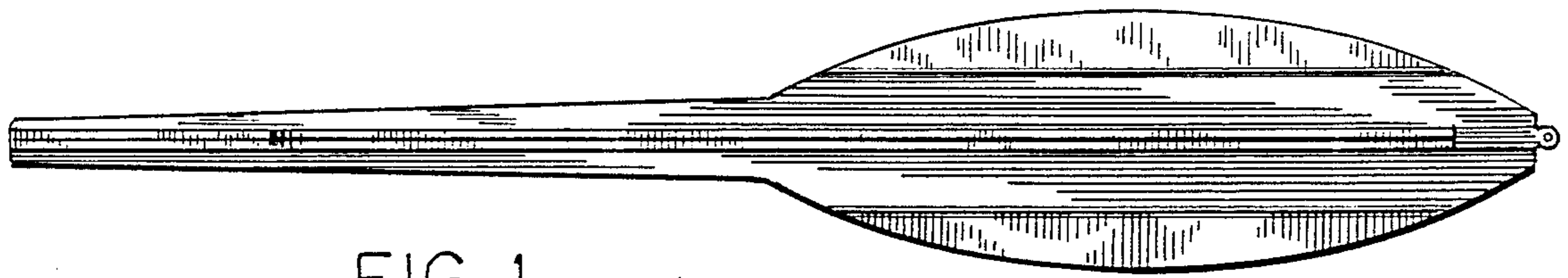


FIG. 1

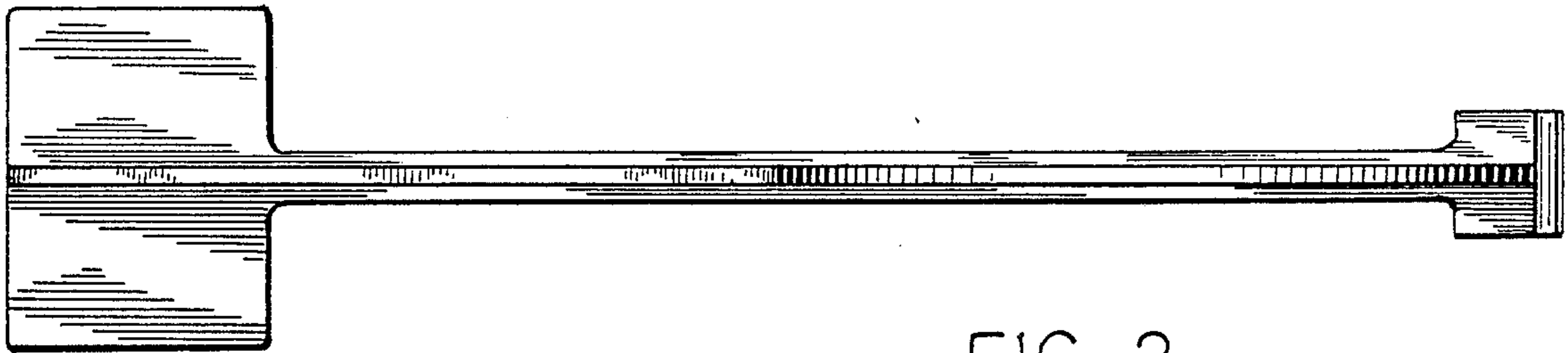


FIG. 2

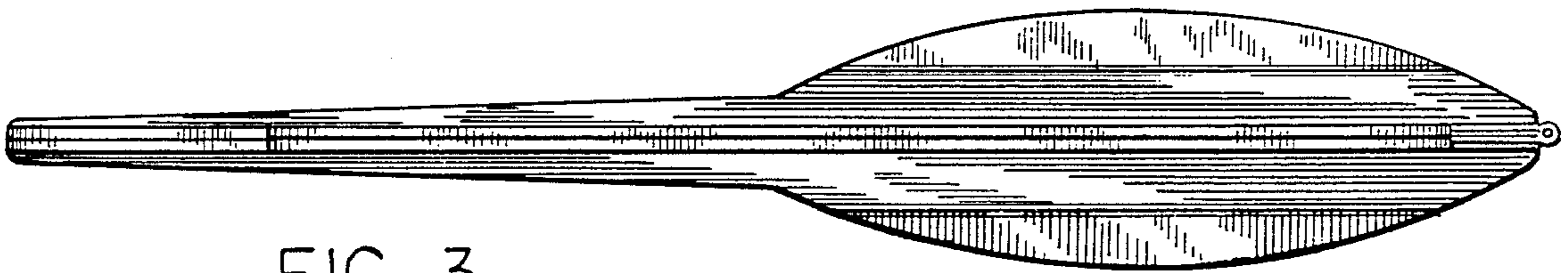


FIG. 3

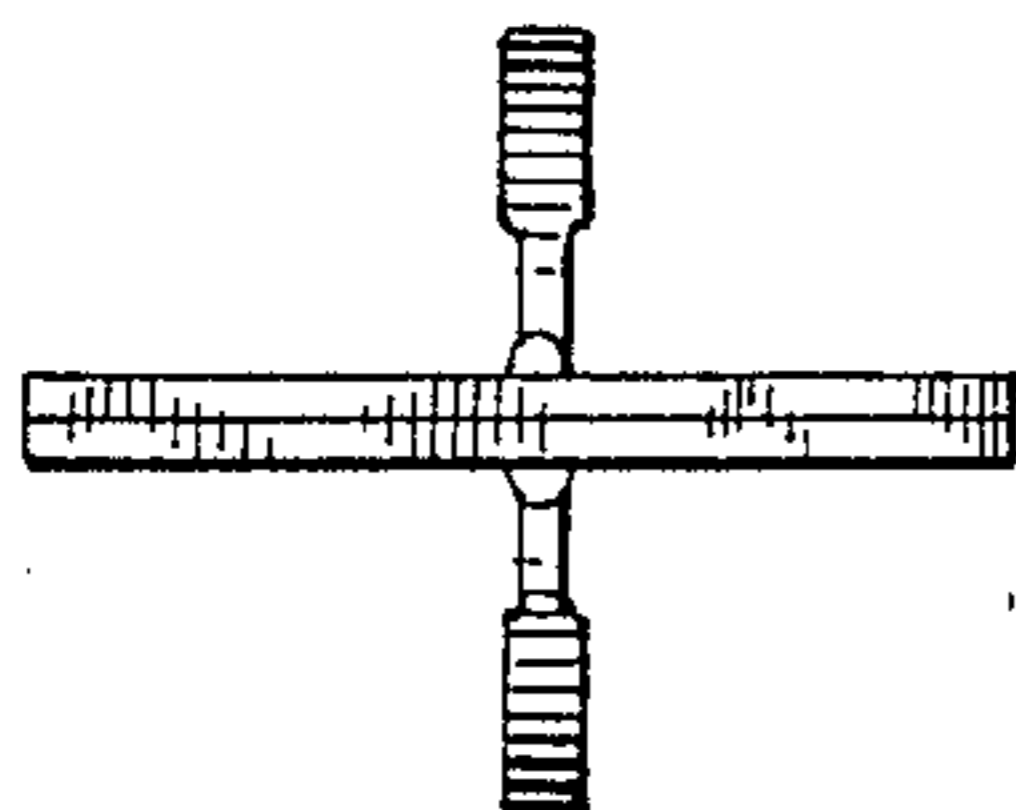


FIG. 4

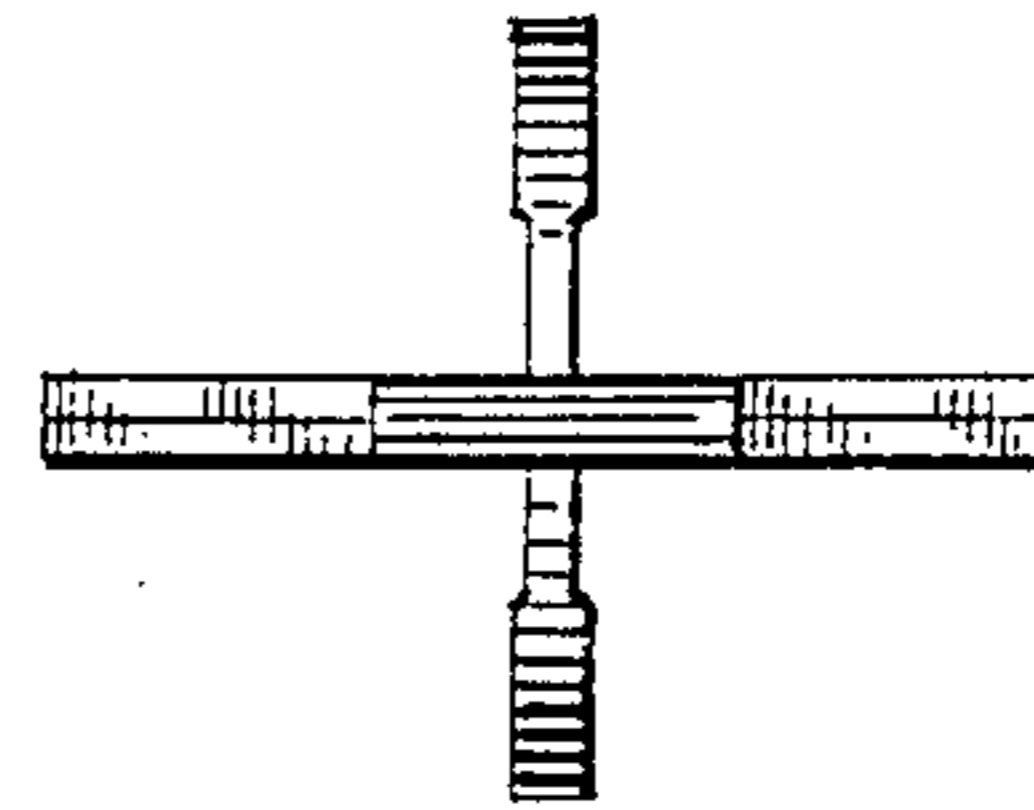


FIG. 5

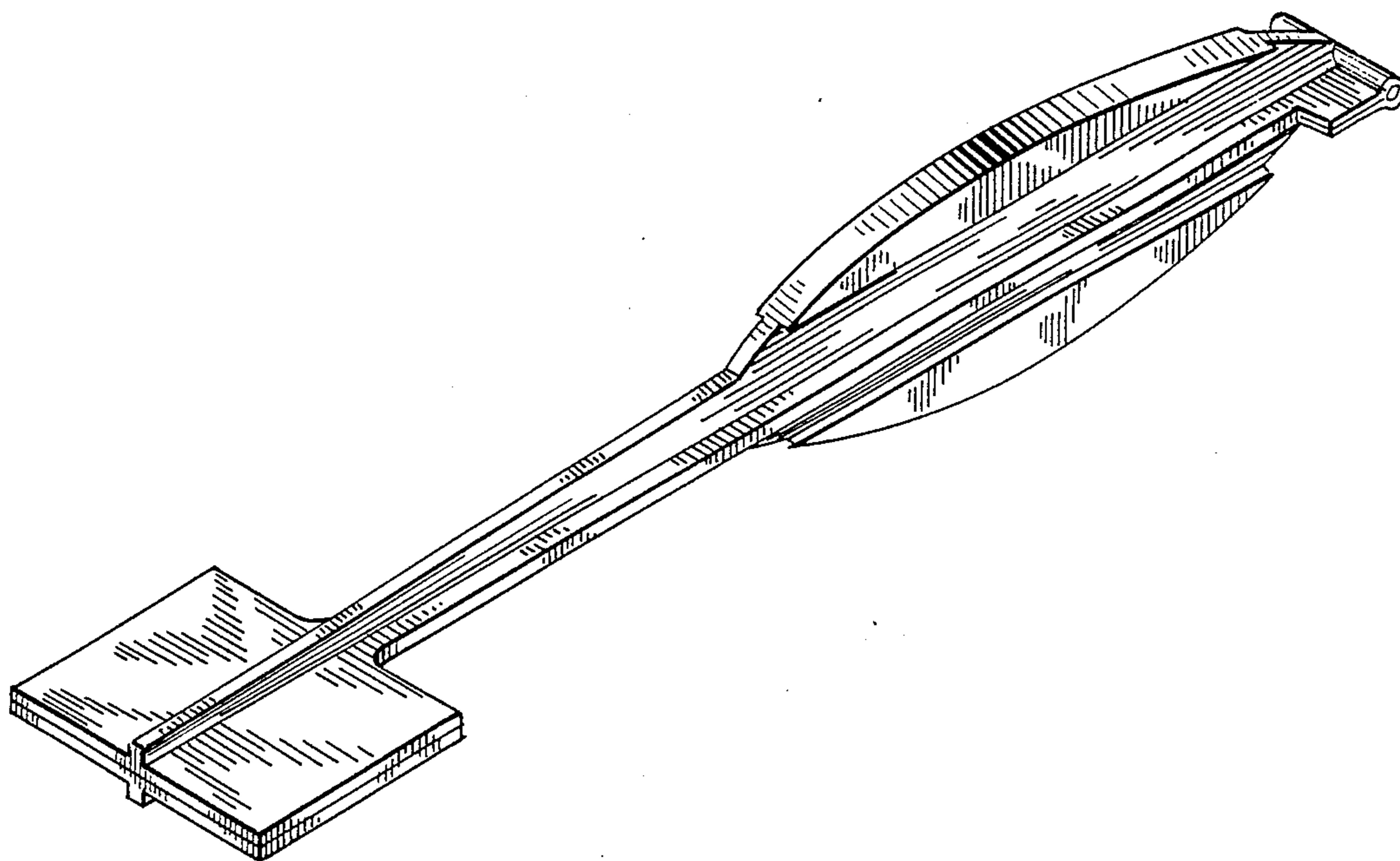


FIG. 6