

[54] GOLF CLUB HEAD

[76] Inventor: Robert P. Sanchez, 934 West Willow, Chicago, Ill. 60614

[\*\*] Term: 14 Years

[21] Appl. No.: 54,817

[22] Filed: May 27, 1987

[52] U.S. Cl. .... D21/219

[58] Field of Search ..... D21/214-220; 273/77, 78, 163, 167-175

[56] References Cited

U.S. PATENT DOCUMENTS

D. 179,002	10/1956	Hoffmeister	.....	D34/5
D. 197,238	12/1963	Lilly	.....	D34/5
D. 233,616	11/1974	Verzillo	.....	D21/217
D. 238,499	1/1976	Prochnow	.....	D21/2
D. 248,050	5/1978	Muehl	.....	D21/219
D. 285,473	9/1986	Flood	.....	D21/214
1,659,231	2/1928	Baack	.	
3,260,525	7/1966	Ortel	.....	273/77
3,387,845	6/1968	Raub	.....	273/77
3,771,788	11/1973	Hurley et al.	.....	273/68
3,908,996	9/1975	Molinaro	.....	273/83
3,917,277	11/1975	Beck et al.	.....	273/163
4,138,117	2/1979	Dalton	.....	273/164
4,314,701	2/1982	Swanson	.....	273/167 J

4,592,552 6/1986 Garber ..... 273/168

OTHER PUBLICATIONS

Article: "Getting a Jump on the Season", Lew Fishman, 4 pages, *Golf Digest*/Apr. 1987.

Advertisement: *Golf Illustrated*, unnumbered page, Apr. 1987.

Excerpt: *Golf Illustrated*, p. 10, Apr. 1987.

Primary Examiner—Melvin B. Feifer  
Attorney, Agent, or Firm—Fitch, Even, Tabin & Flannery

[57] CLAIM

The ornamental design for a golf club head, as shown and described.

DESCRIPTION

FIG. 1 is an elevational view of the rear side of the golf club head embodying my new design;

FIG. 2 is an elevational view of the front side of the golf club head;

FIG. 3 is a top plan view thereof;

FIG. 4 is an end elevational view taken from the right end of FIG. 1;

FIG. 5 is an end elevational view taken from the left end of FIG. 1; and

FIG. 6 is a bottom plan view thereof.

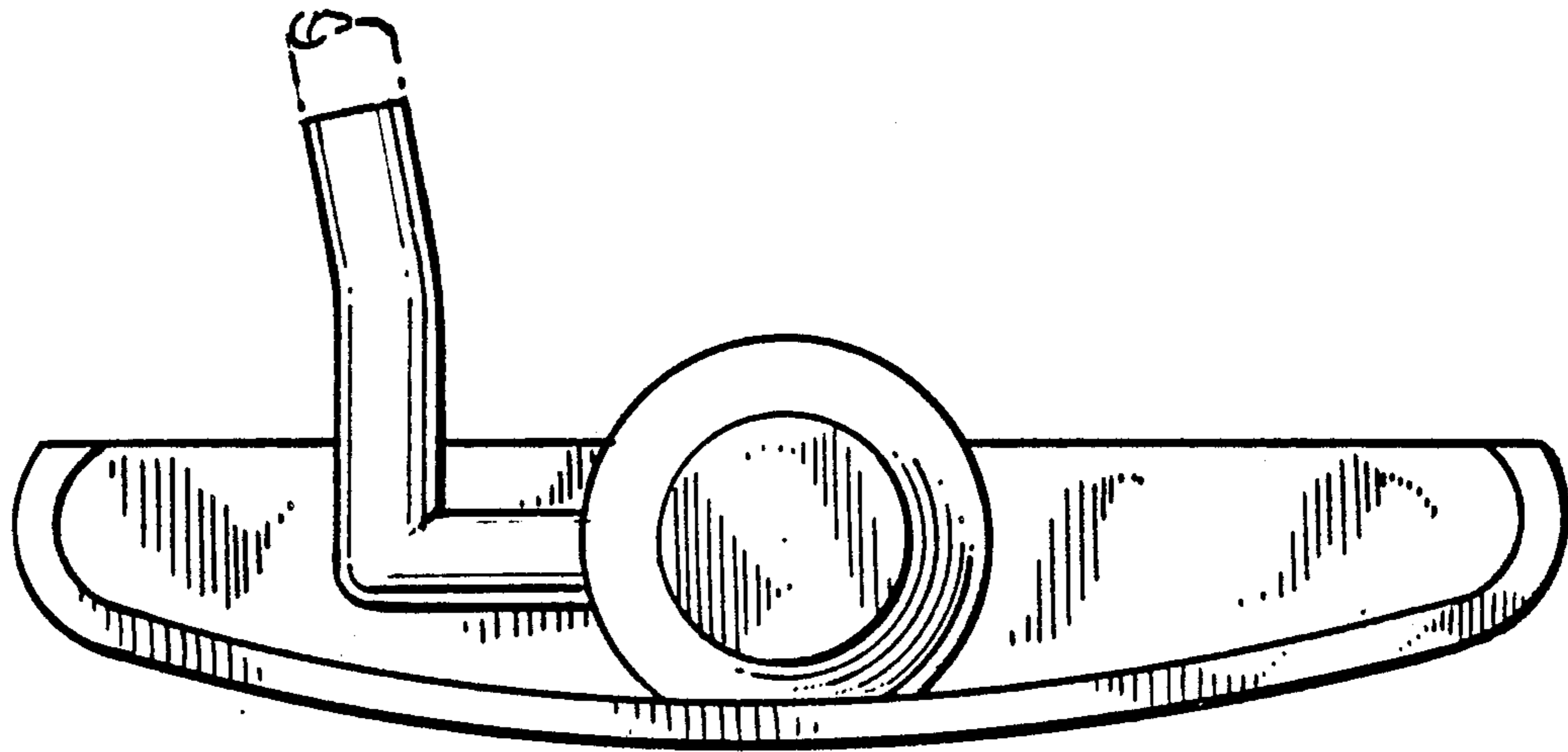


FIG. 1

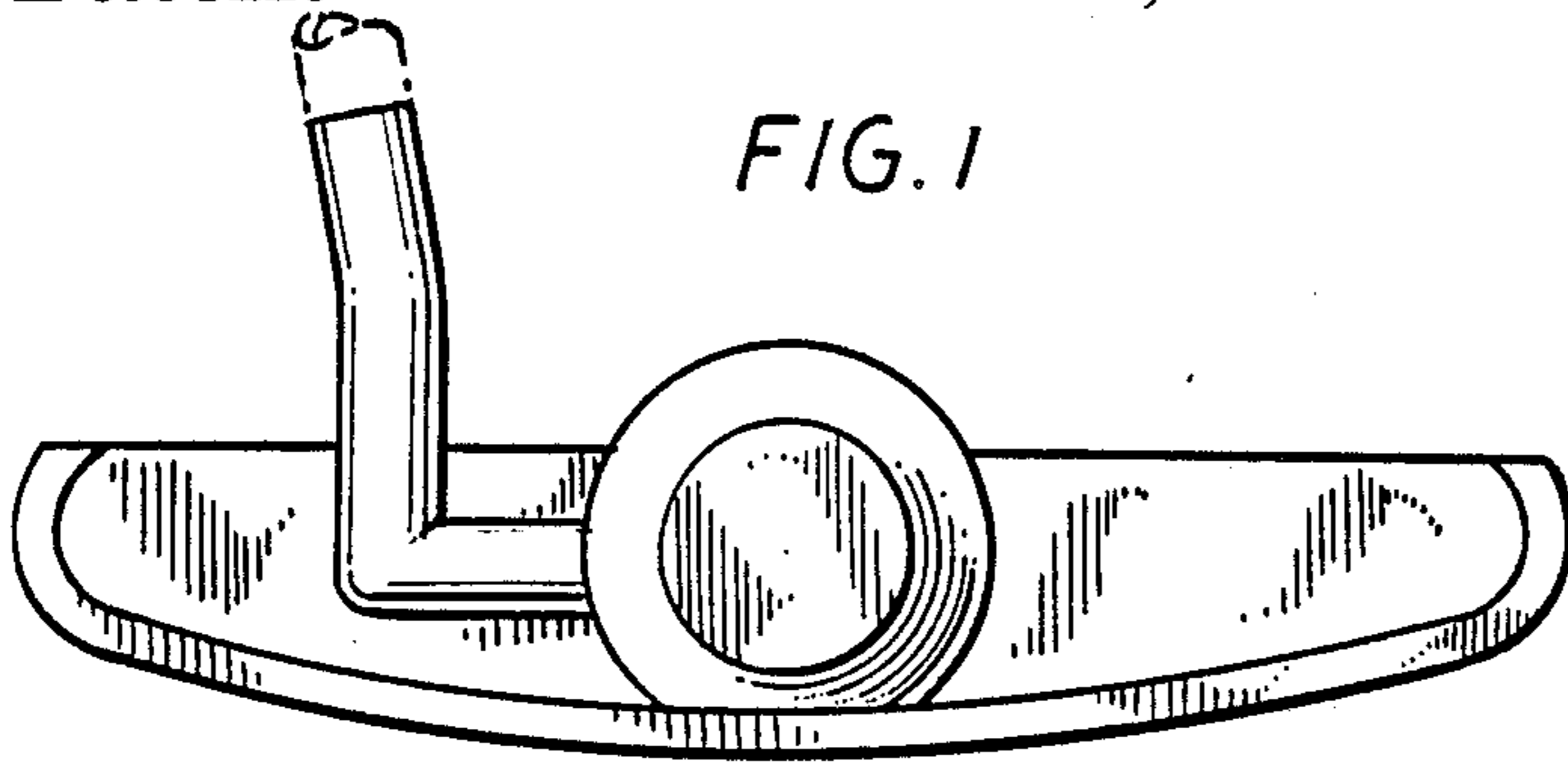


FIG. 2

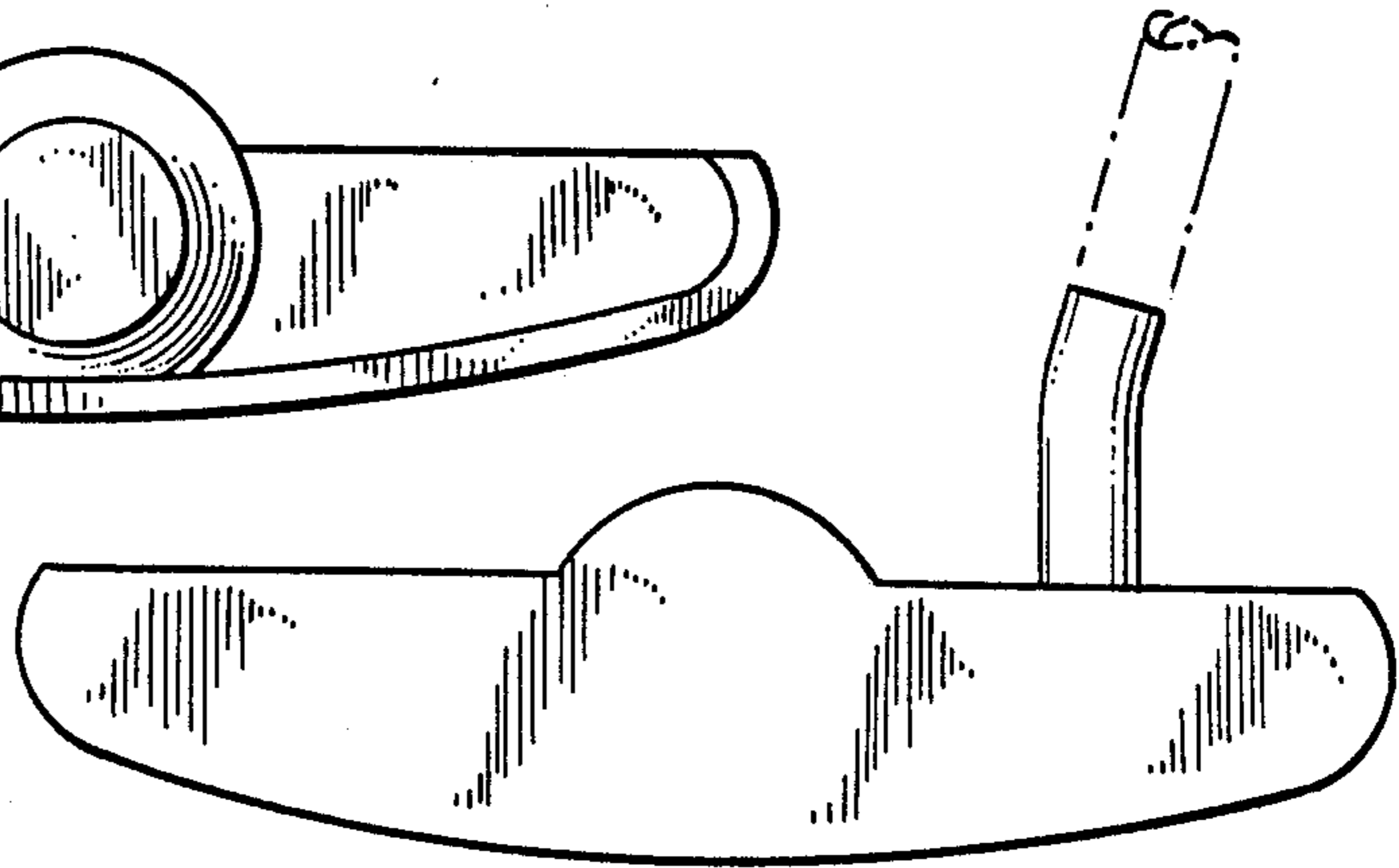


FIG. 3

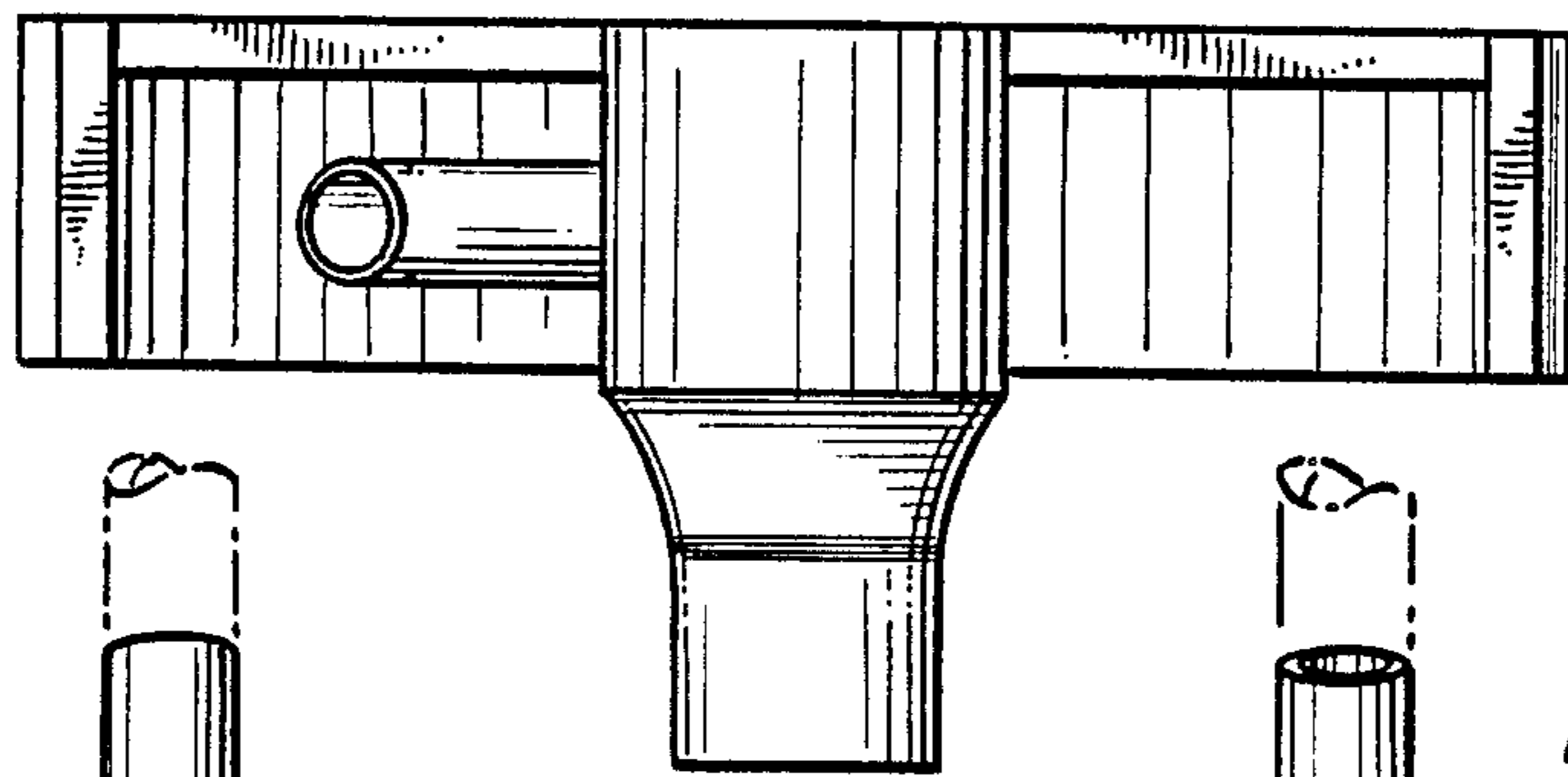


FIG. 4

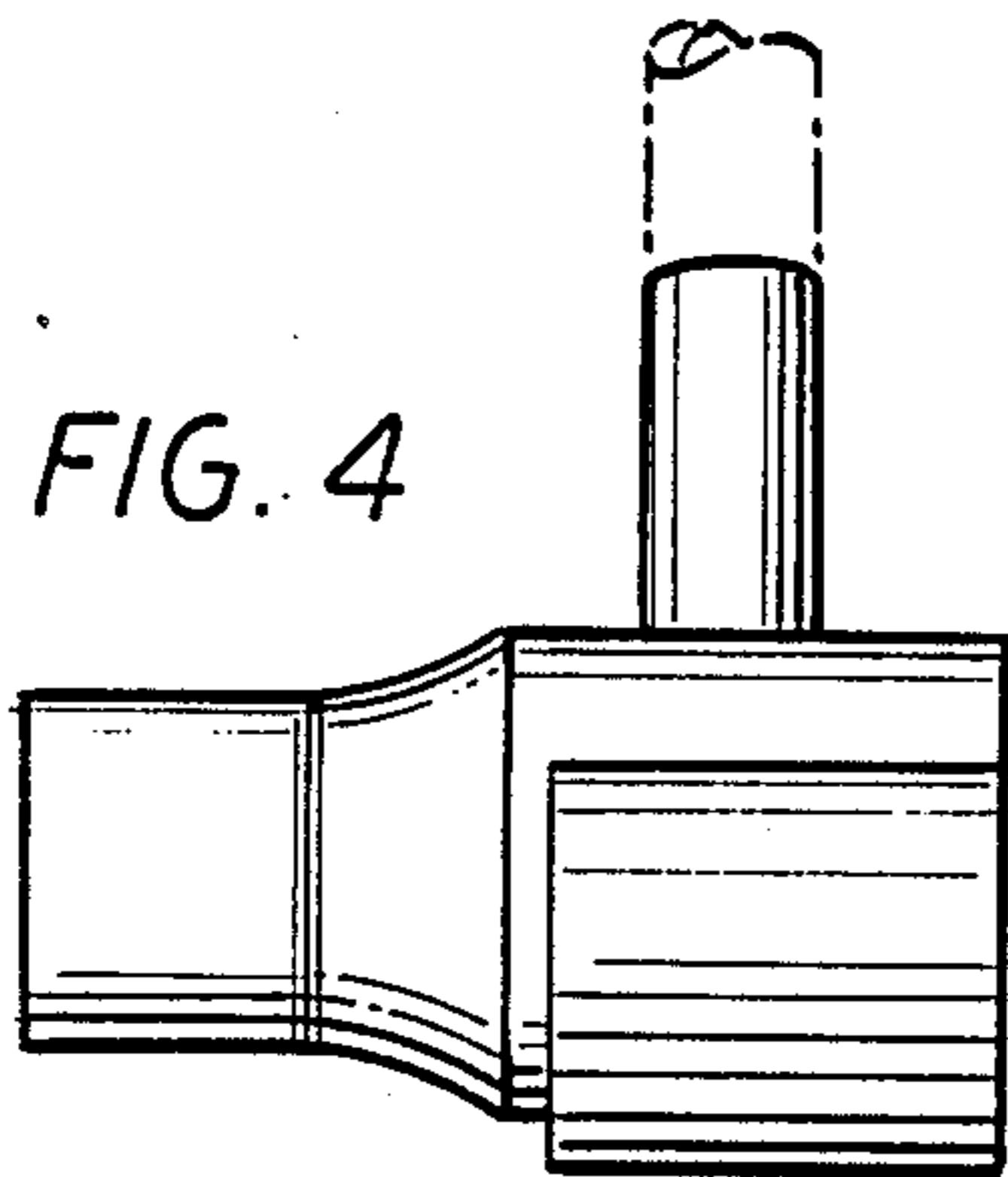


FIG. 5

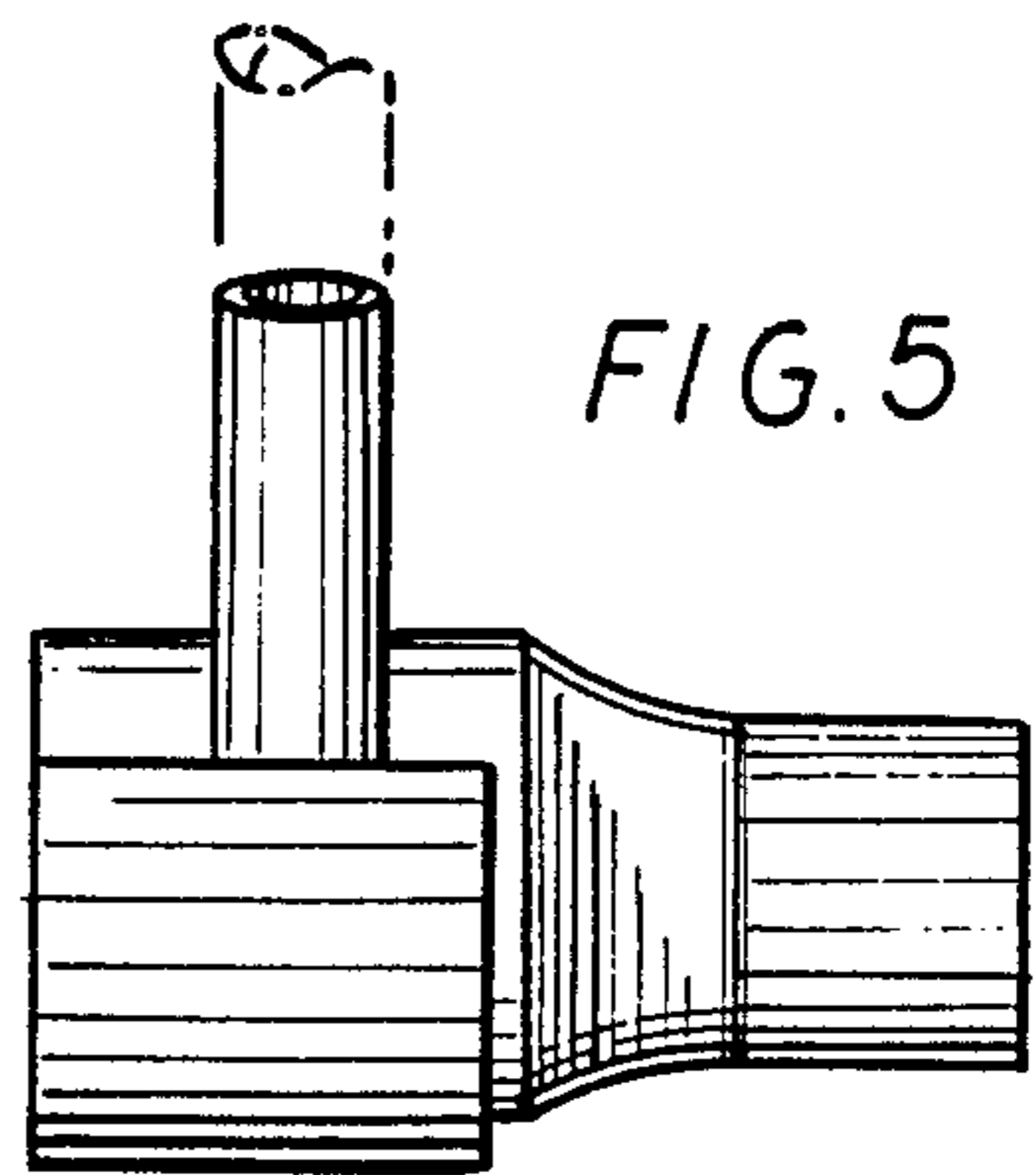


FIG. 6

