

[54] **VOLLEYBALL STAND SUPPORT**
[76] **Inventor: Raymond P. Myrtle, 10 - 1214 West 7th Avenue, Vancouver, British Columbia, Canada, V6H 1B6**
[**] **Term: 14 Years**
[21] **Appl. No.: 66,639**
[22] **Filed: Jun. 26, 1987**
[52] **U.S. Cl. D21/199**
[58] **Field of Search D21/48, 199, 200, 201; 273/1.5 R, 29 R, 29 B, 29 BB**

4,479,647 10/1984 Smith 273/55 R

FOREIGN PATENT DOCUMENTS

2644376 4/1978 Fed. Rep. of Germany ... 273/29 BB

Primary Examiner—Charles A. Rademaker
Assistant Examiner—Alicia A. Farrell
Attorney, Agent, or Firm—Fetherstonhaugh & Co.

[57] **CLAIM**

The ornamental design for a volleyball stand support, as shown and described.

DESCRIPTION

FIG. 1 is a perspective view of a volleyball stand support showing my new design;
FIG. 2 is a front elevational view thereof;
FIG. 3 is a right side elevational view thereof;
FIG. 4 is a rear elevational view thereof;
FIG. 5 is a left side elevational view thereof;
FIG. 6 is a top plan view thereof; and
FIG. 7 is a bottom plan view thereof.

[56] **References Cited**
U.S. PATENT DOCUMENTS

D. 289,540	4/1987	Bender	D21/199
2,340,540	2/1944	Lange	273/1.5 R
3,105,682	10/1963	Ahrens	273/29 R
3,514,062	5/1970	Gordon	D21/199
3,881,724	5/1975	Beveridge	273/1.5 R
4,040,214	8/1977	Frye	273/29 BB

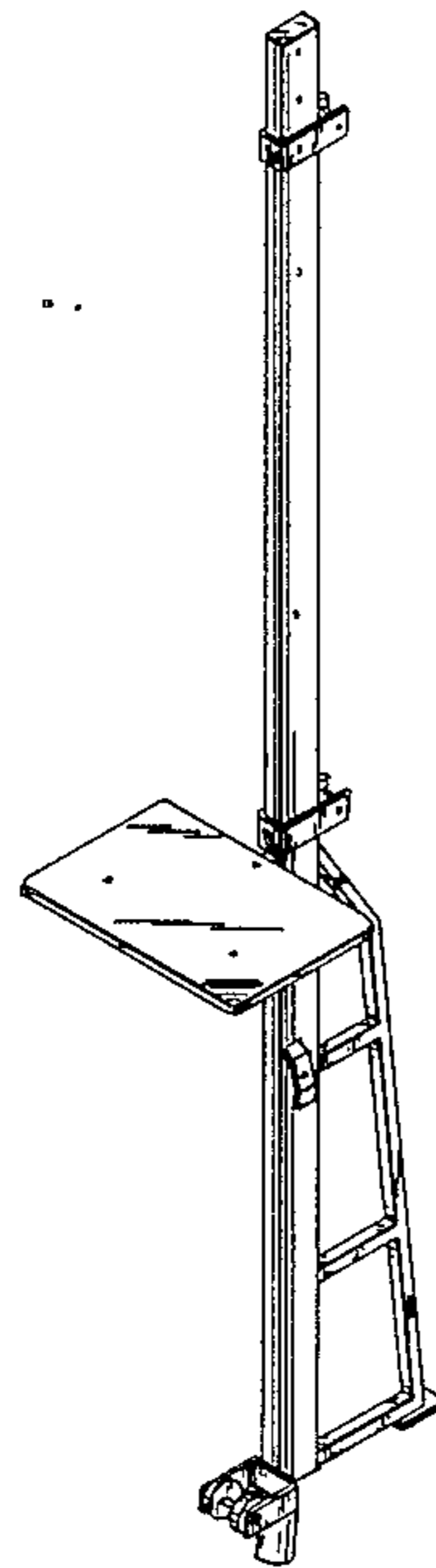


Fig. 1.

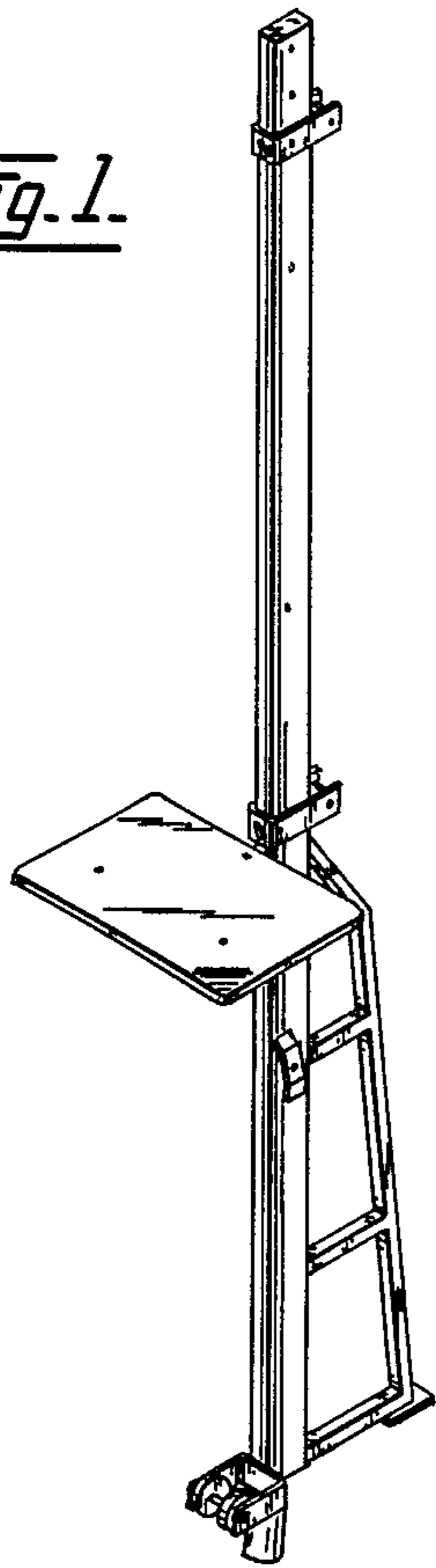


Fig. 6.

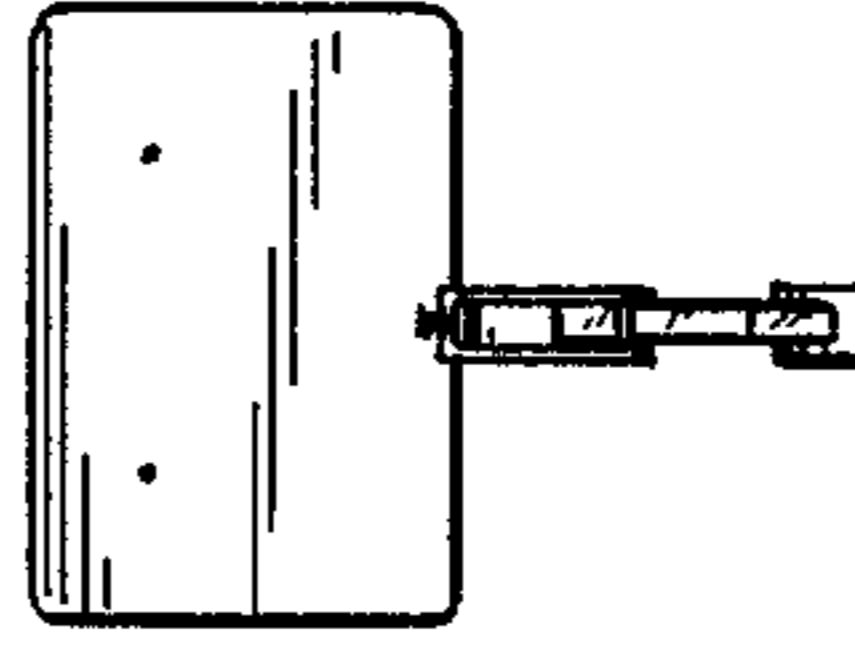


Fig. 7.

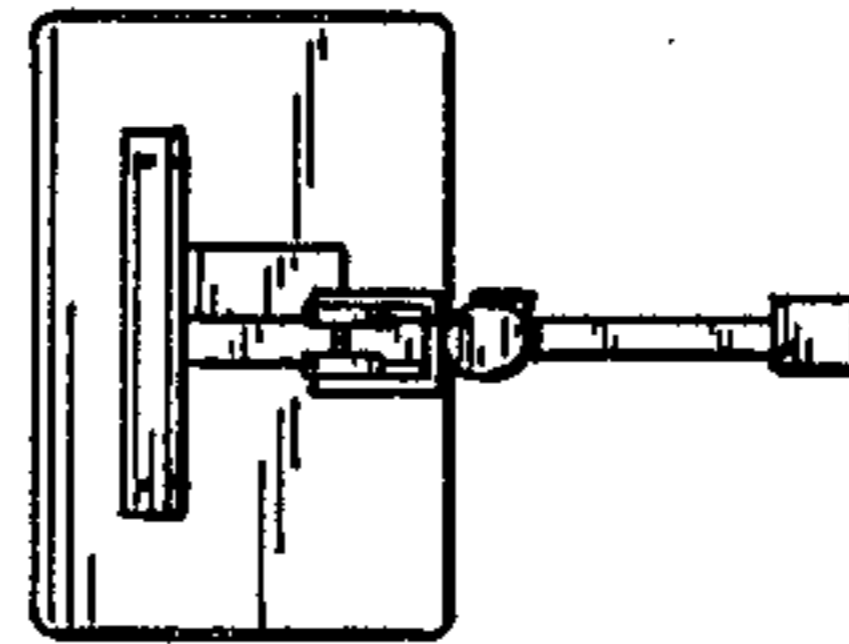


Fig. 2.

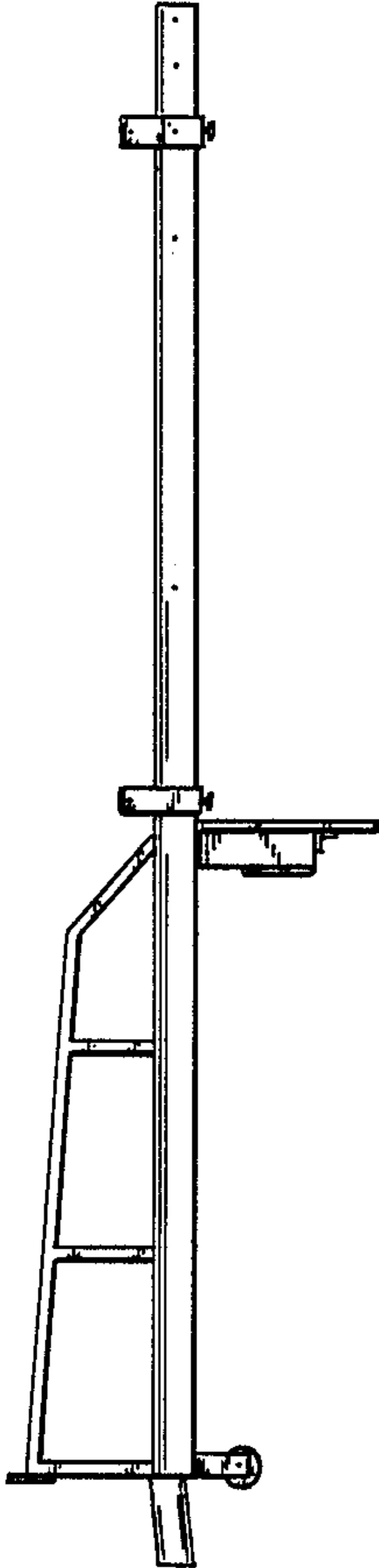


Fig. 3.

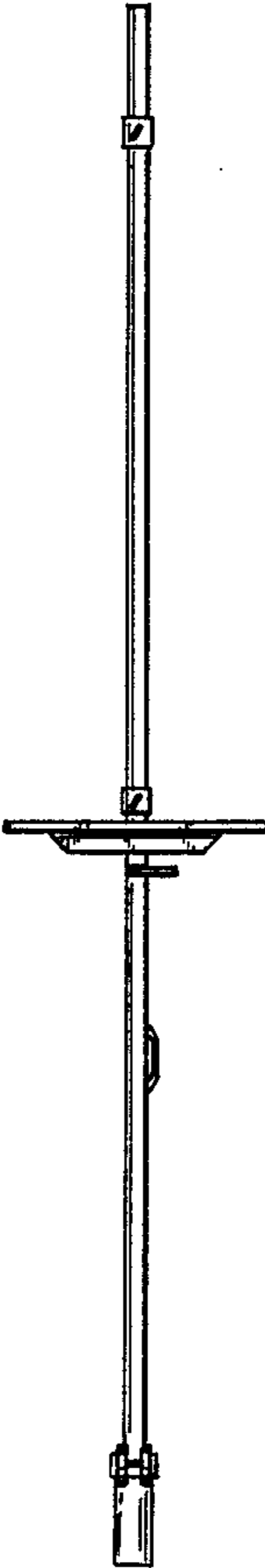


Fig. 4.

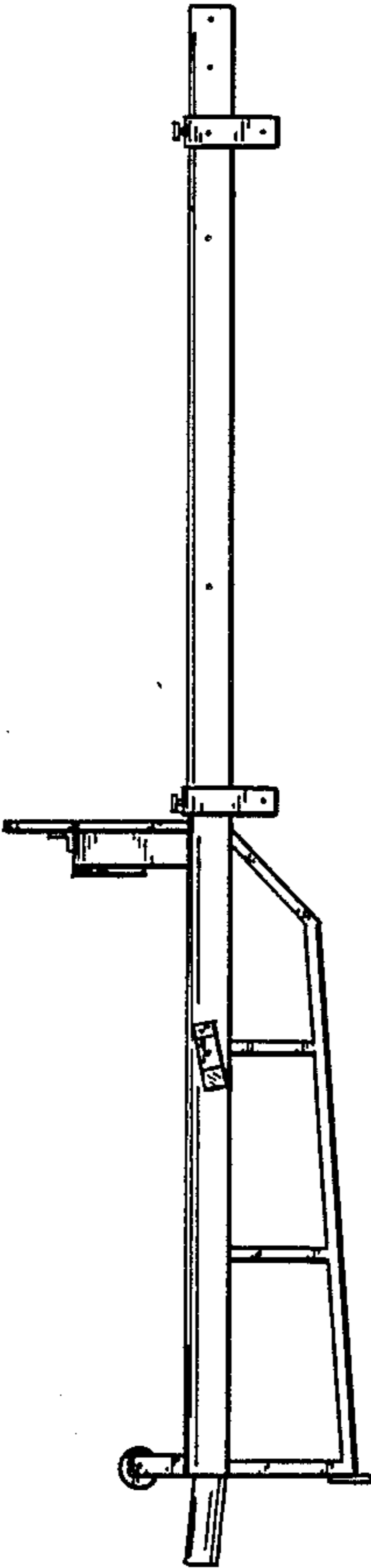


Fig. 5.

