

[54] **RECONFIGURABLE TOY VEHICLE**

[75] **Inventor: Takashi Kunihiro, Abiko, Japan**

[73] **Assignee: Takara Co., Ltd., Tokyo, Japan**

[**] **Term: 14 Years**

[21] **Appl. No.: 211,408**

[22] **Filed: Jun. 24, 1988**

[30] **Foreign Application Priority Data**

Jan. 25, 1988 [JP] Japan 63-2576

[52] **U.S. Cl. D21/150; D21/136;
D21/166**

[58] **Field of Search D21/150, 166, 136-140;
446/71, 72-78, 383, 381, 487**

[56] **References Cited**

U.S. PATENT DOCUMENTS

D. 289,908	5/1987	Nagano	D21/150
D. 292,109	9/1987	Lim	D21/136
D. 295,304	4/1988	Shibukawa	D21/136
D. 301,265	5/1989	Ishizawa	D21/150
D. 301,356	5/1989	Doi	D21/150
D. 301,505	6/1989	Kunihiro	D21/150

Primary Examiner—Charles A. Rademaker
Attorney, Agent, or Firm—Price, Gess & Ubell

[57] **CLAIM**

The ornamental design for a reconfigurable toy vehicle, as shown and described.

DESCRIPTION

FIG. 1 is a front perspective view of a reconfigurable toy vehicle, showing my new design;

FIG. 2 is a front elevational view thereof;

FIG. 3 is a right side elevational view thereof, the side opposite being a mirror image;

FIG. 4 is a rear elevational view thereof;

FIG. 5 is a top plan view thereof;

FIG. 6 is a bottom plan view thereof;

FIG. 7 is a front perspective view with the barrel members pivoted;

FIG. 8 is a front perspective view of the design shown in FIGS. 1 through 6 reconfigured in a toy robotic humanoid configuration;

FIG. 9 is a front elevational view thereof;

FIG. 10 is a right side elevational view thereof, the side opposite being a mirror image;

FIG. 11 is a rear elevational view thereof;

FIG. 12 is a top plan view thereof;

FIG. 13 is a bottom plan view thereof, and

FIG. 14 is a front perspective view with the barrel members pivoted.

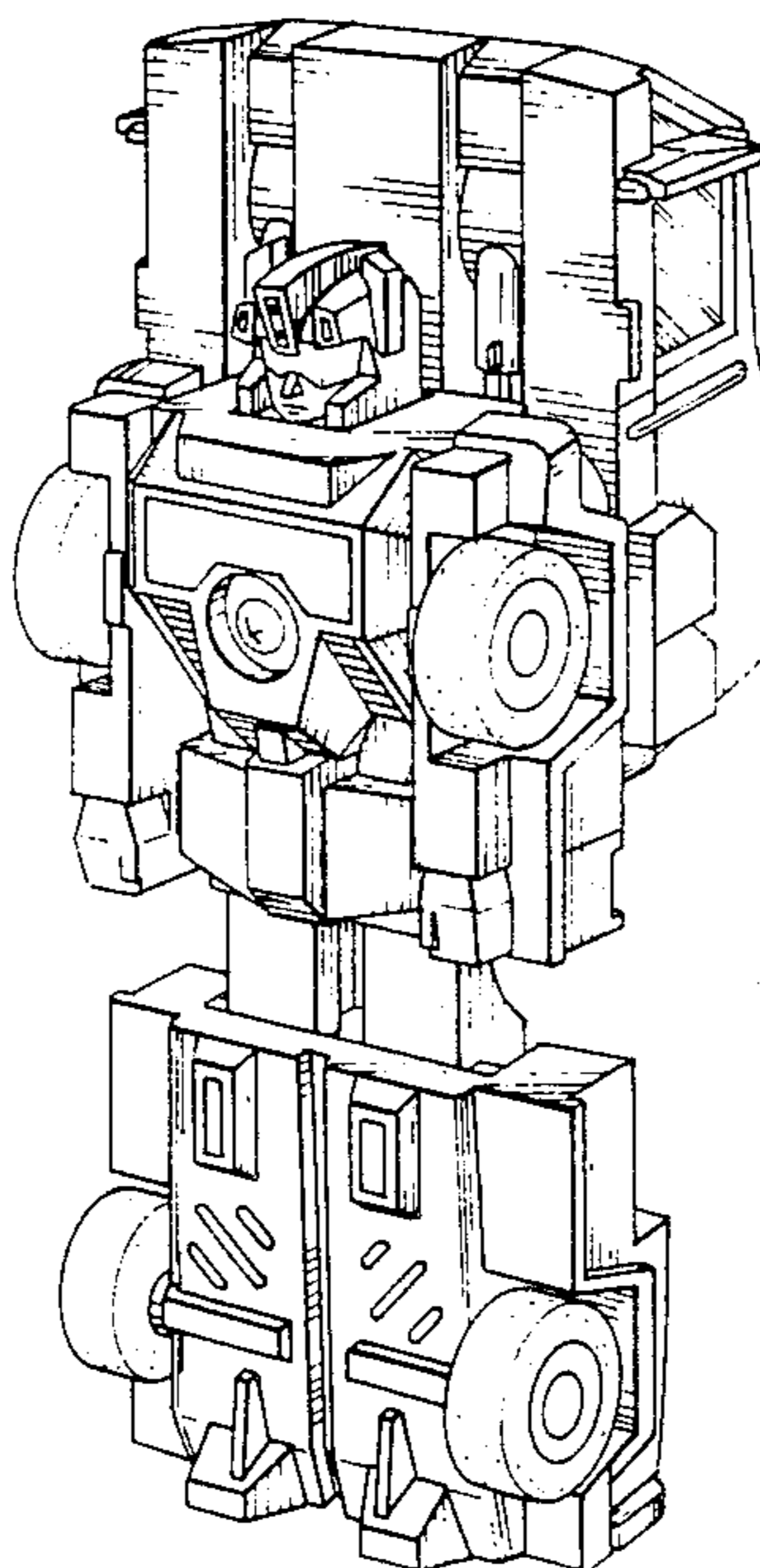
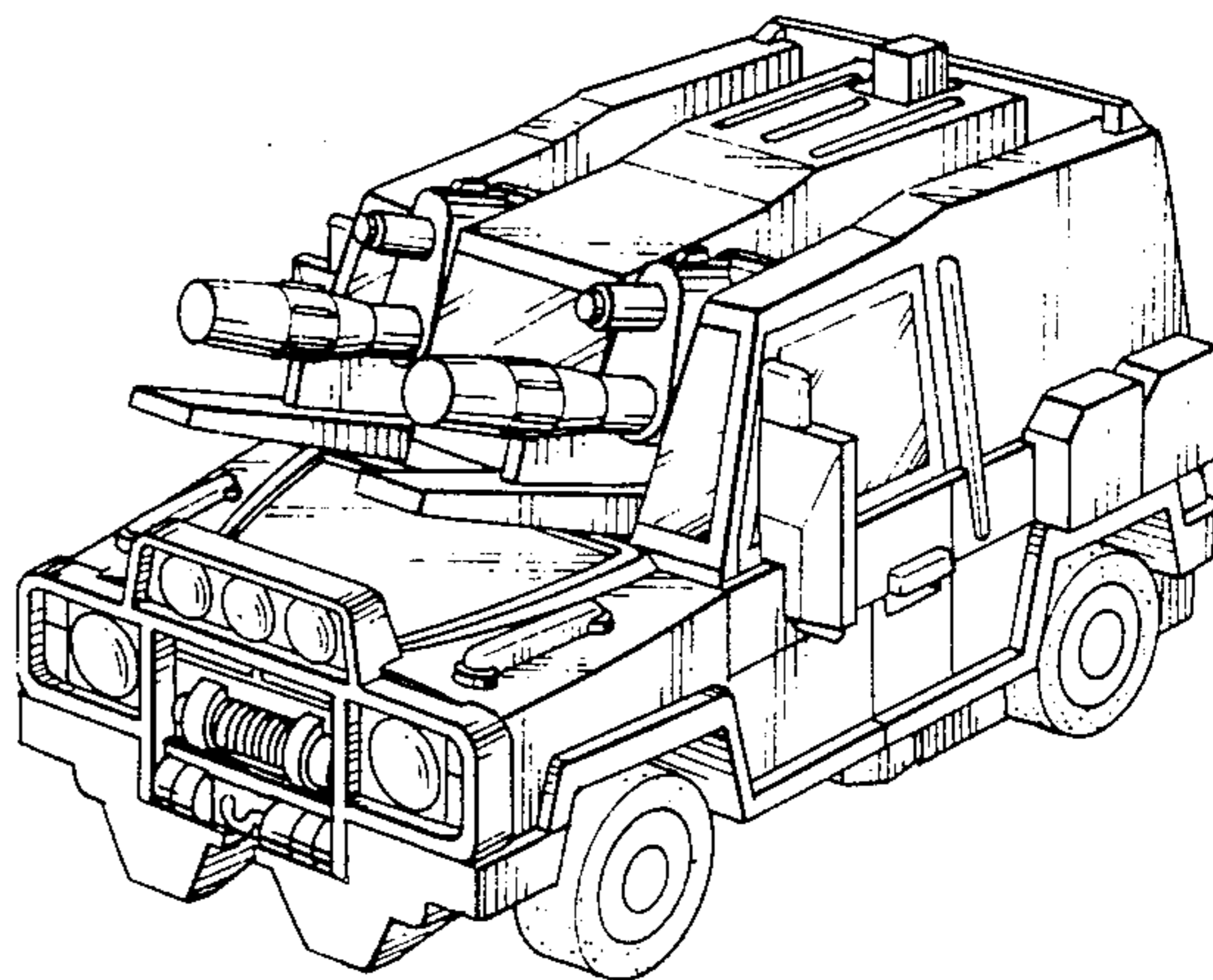
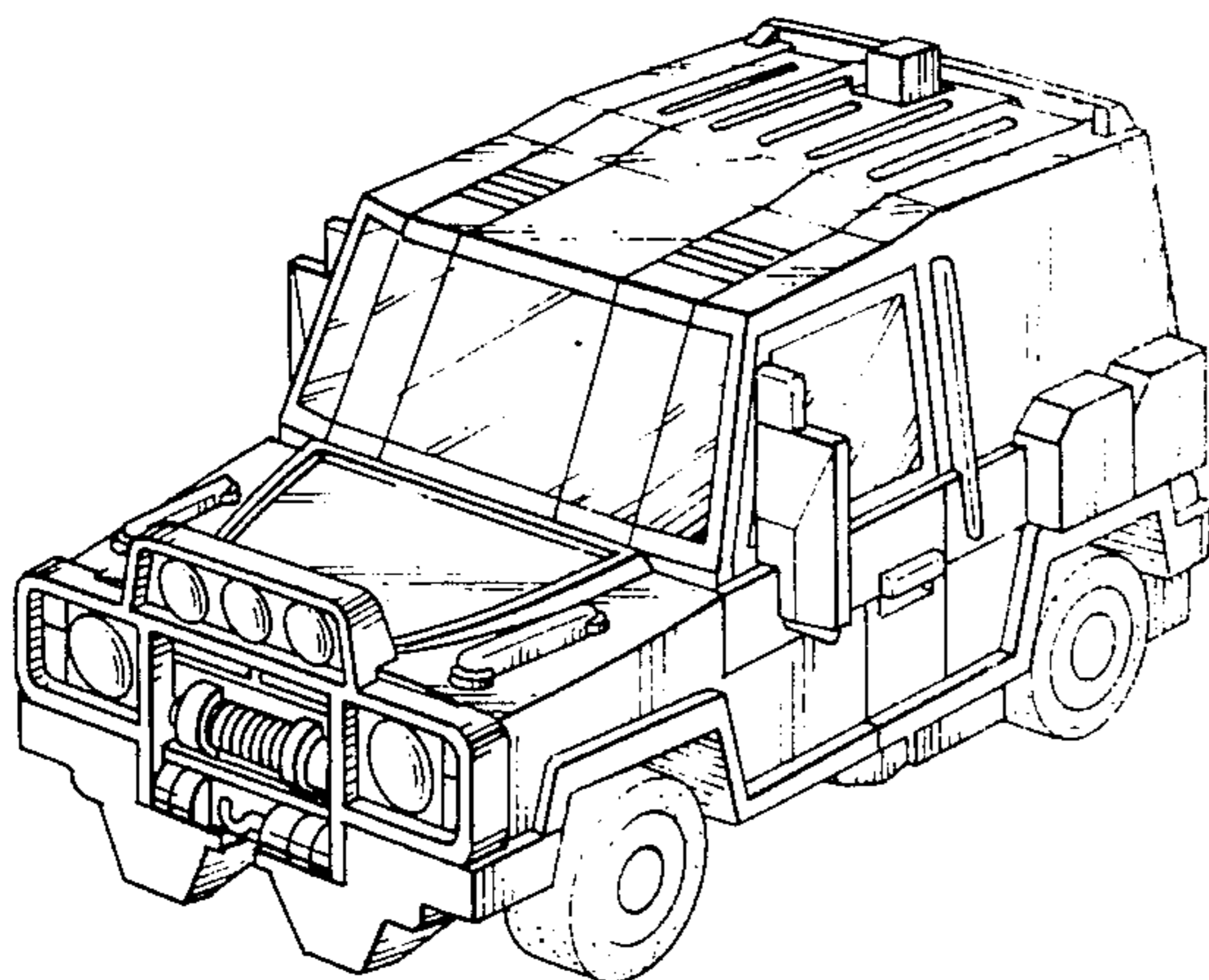


FIG. 1

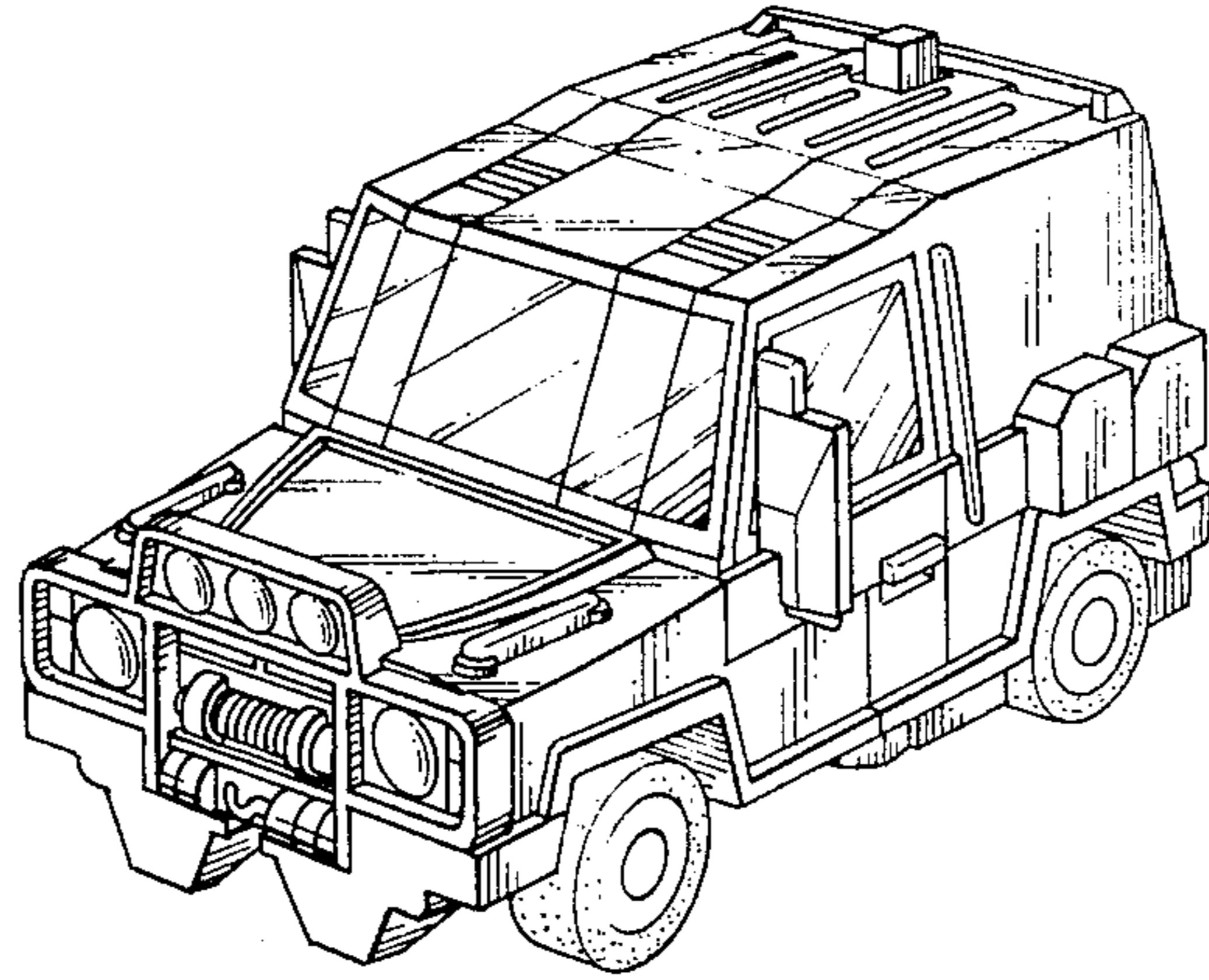


FIG. 2

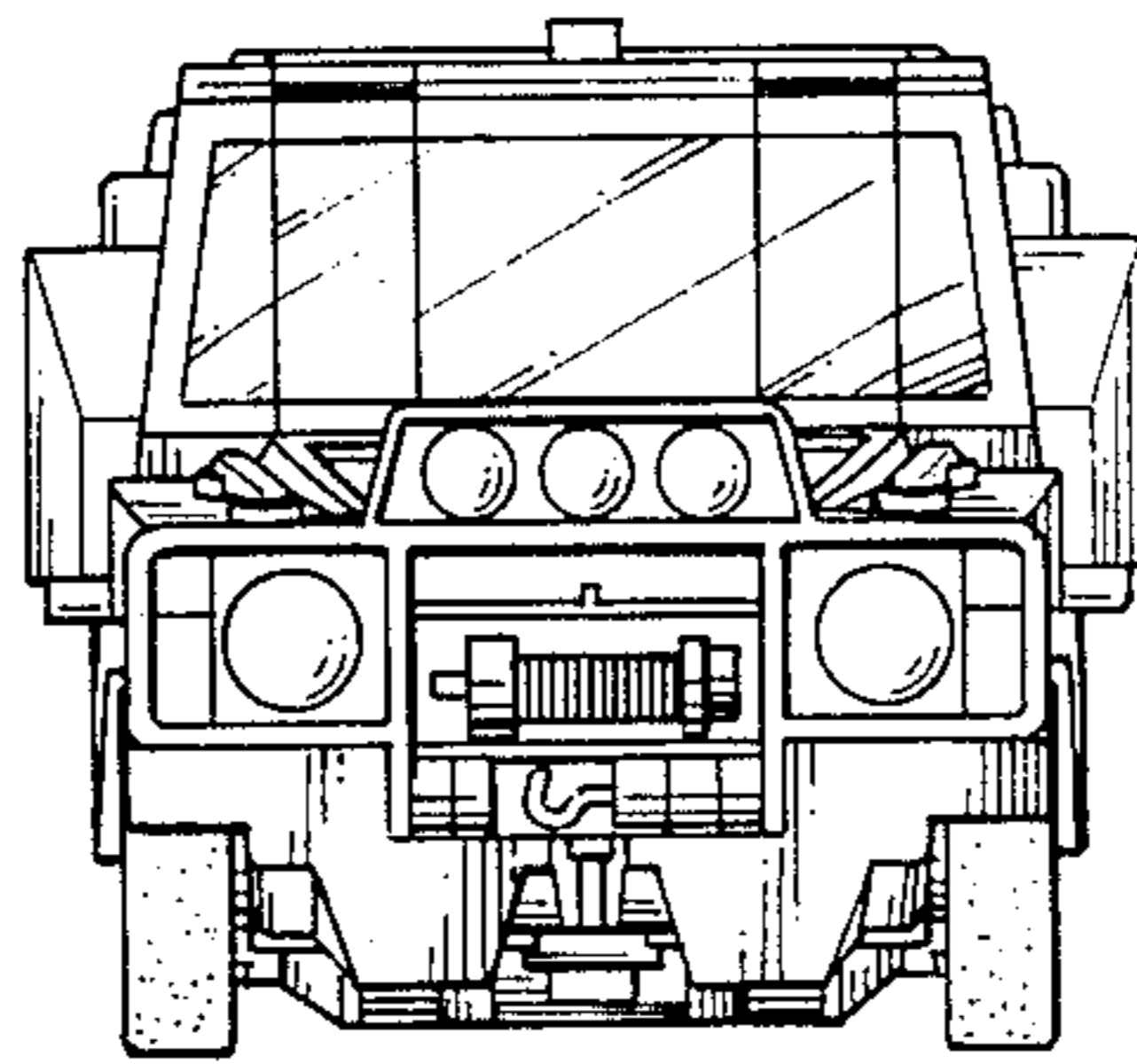


FIG. 3

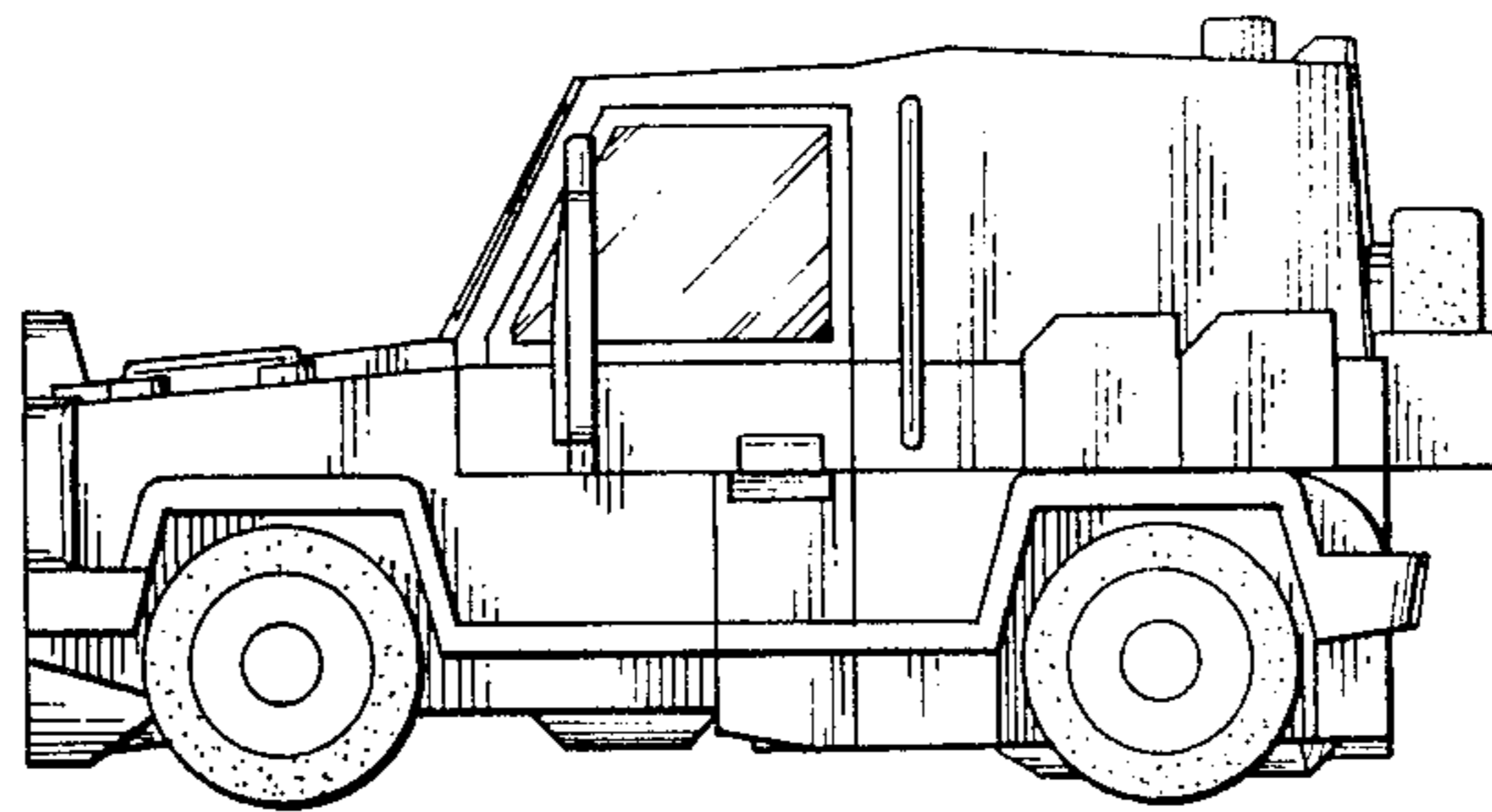


FIG. 4

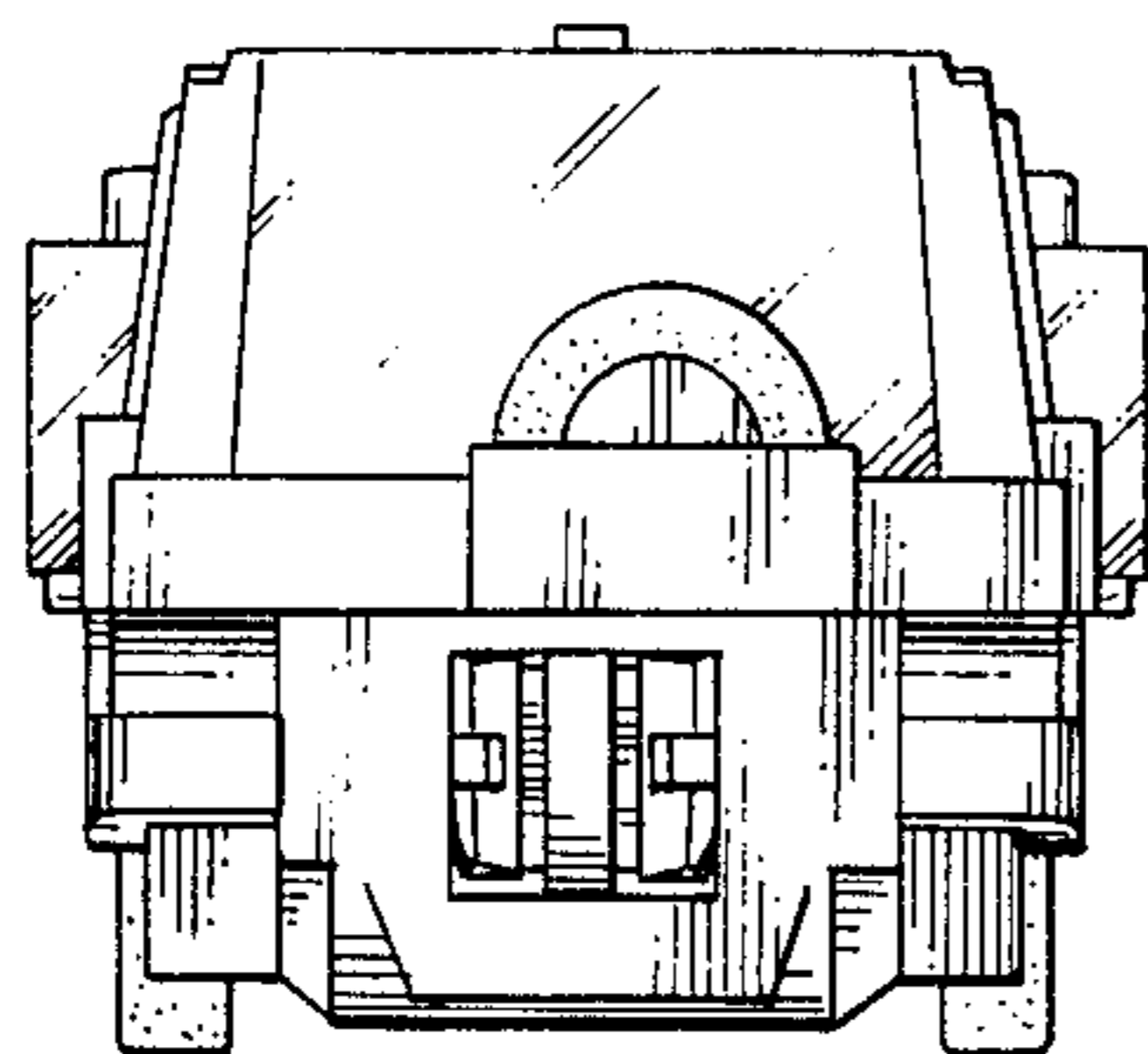


FIG. 5

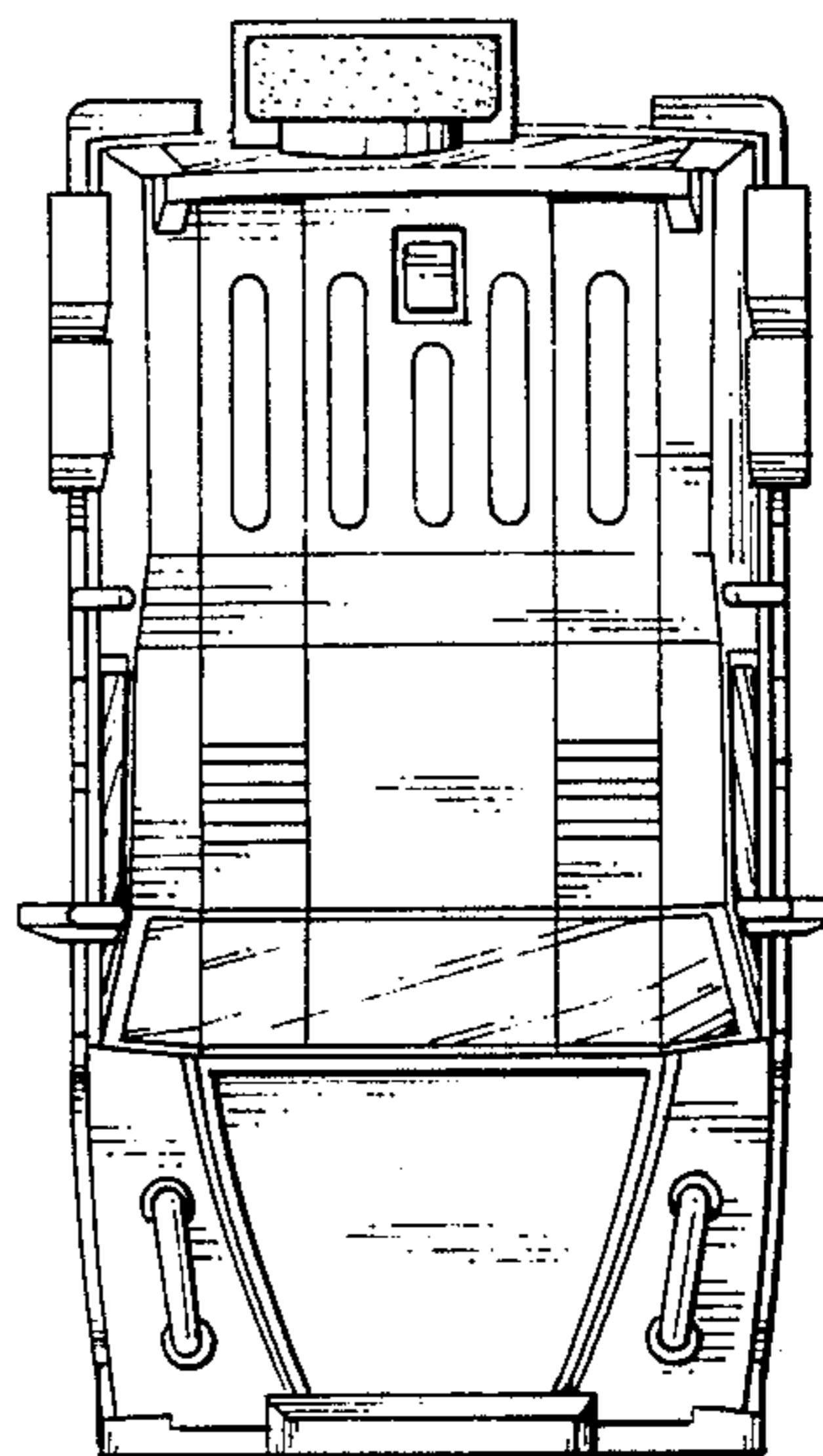


FIG. 6

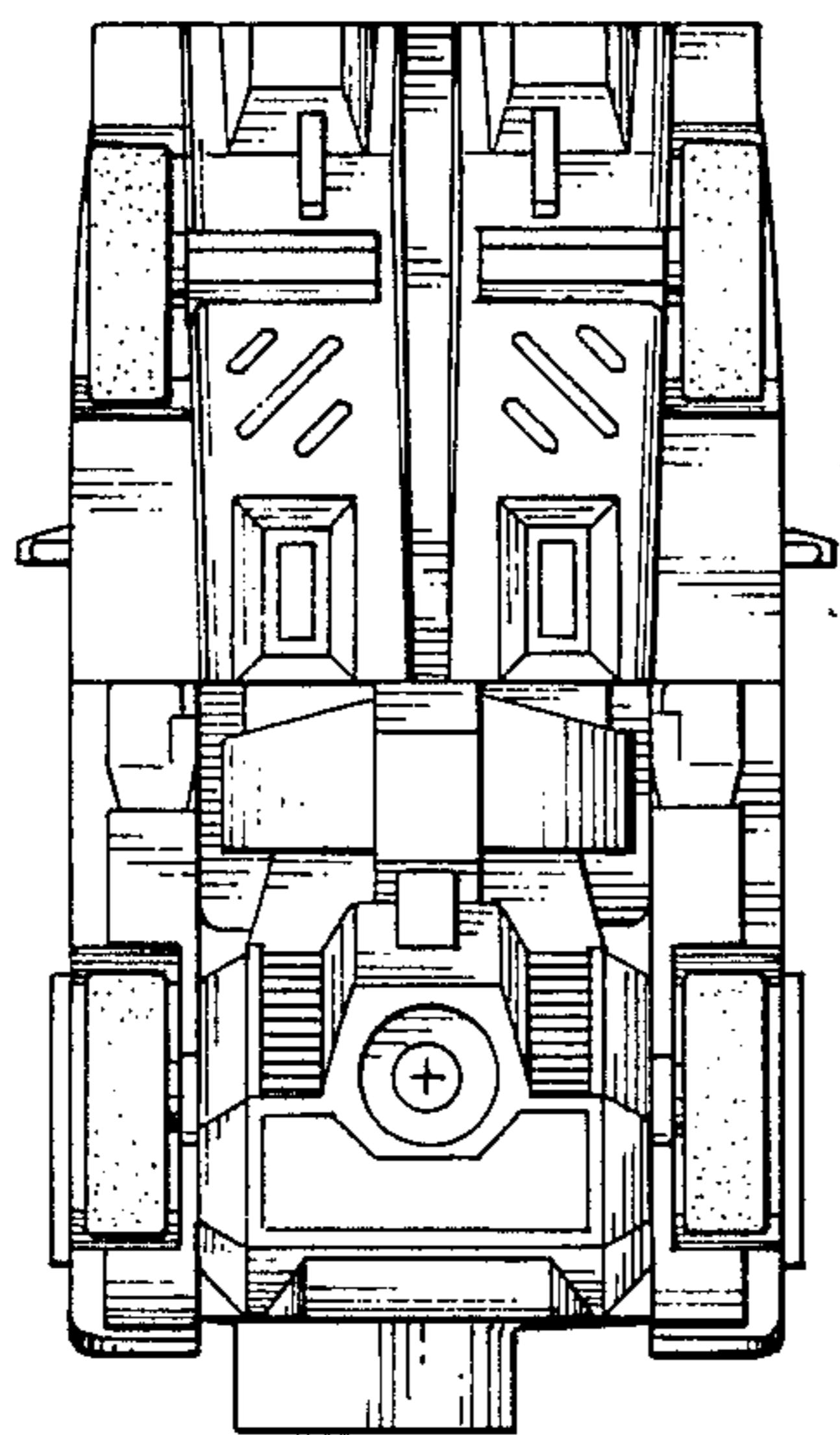


FIG. 7

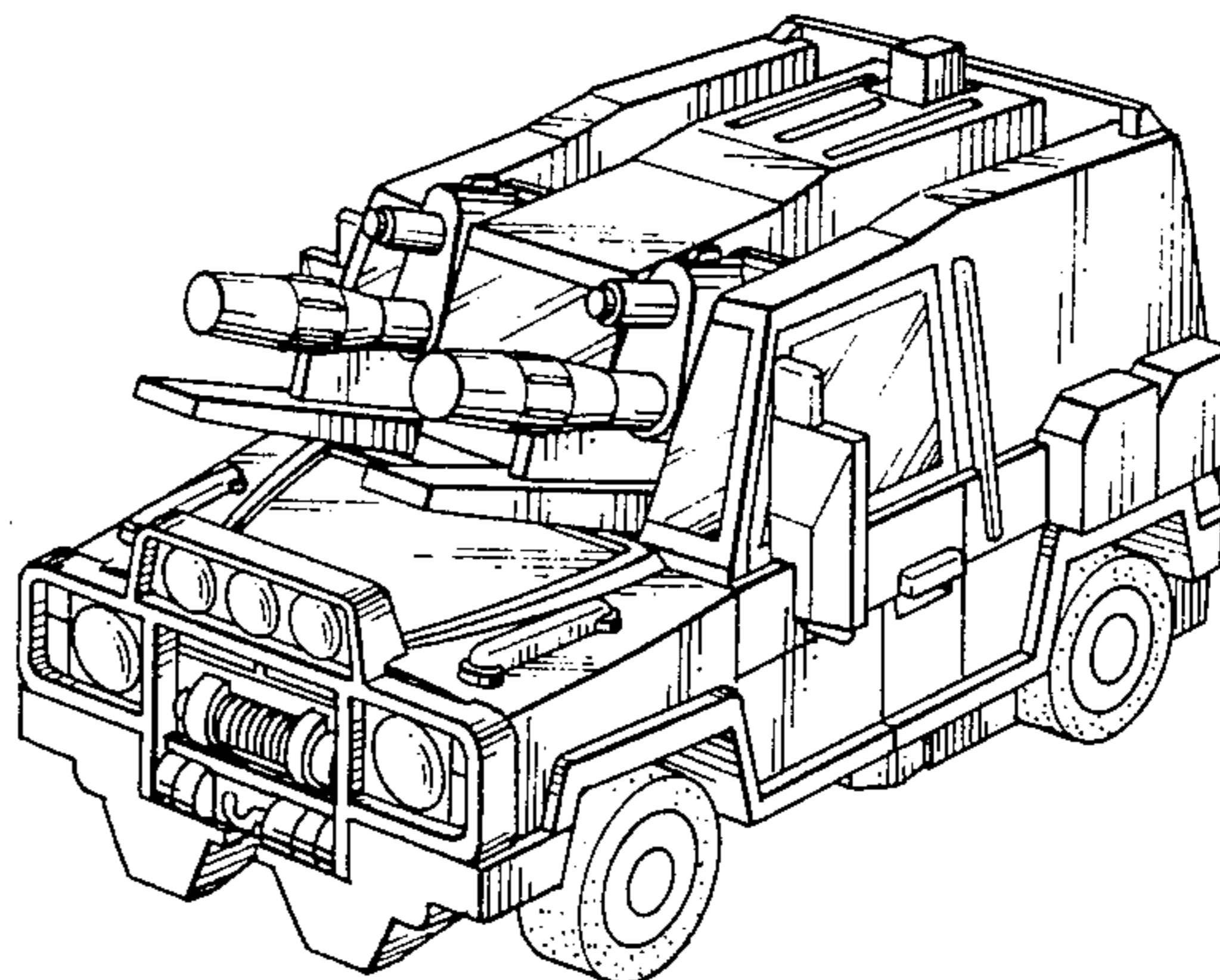


FIG. 10

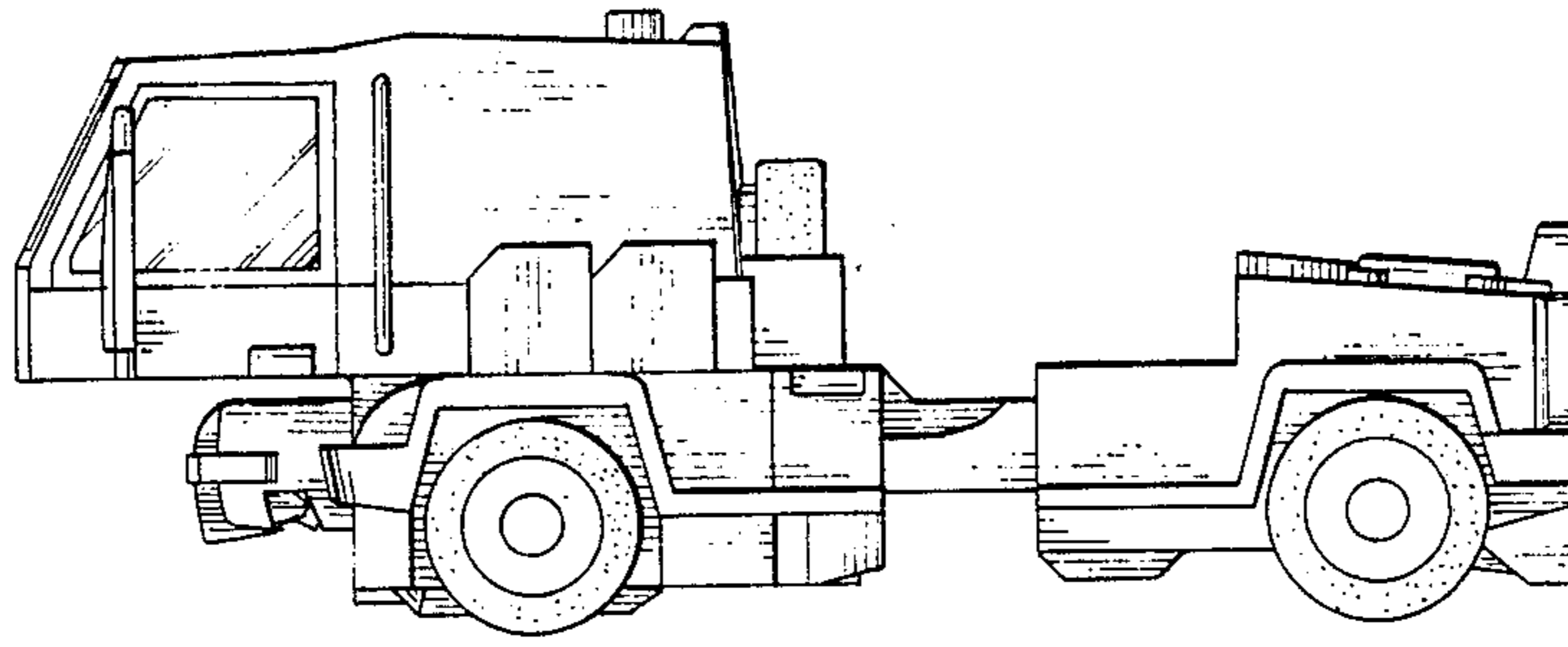


FIG. 9

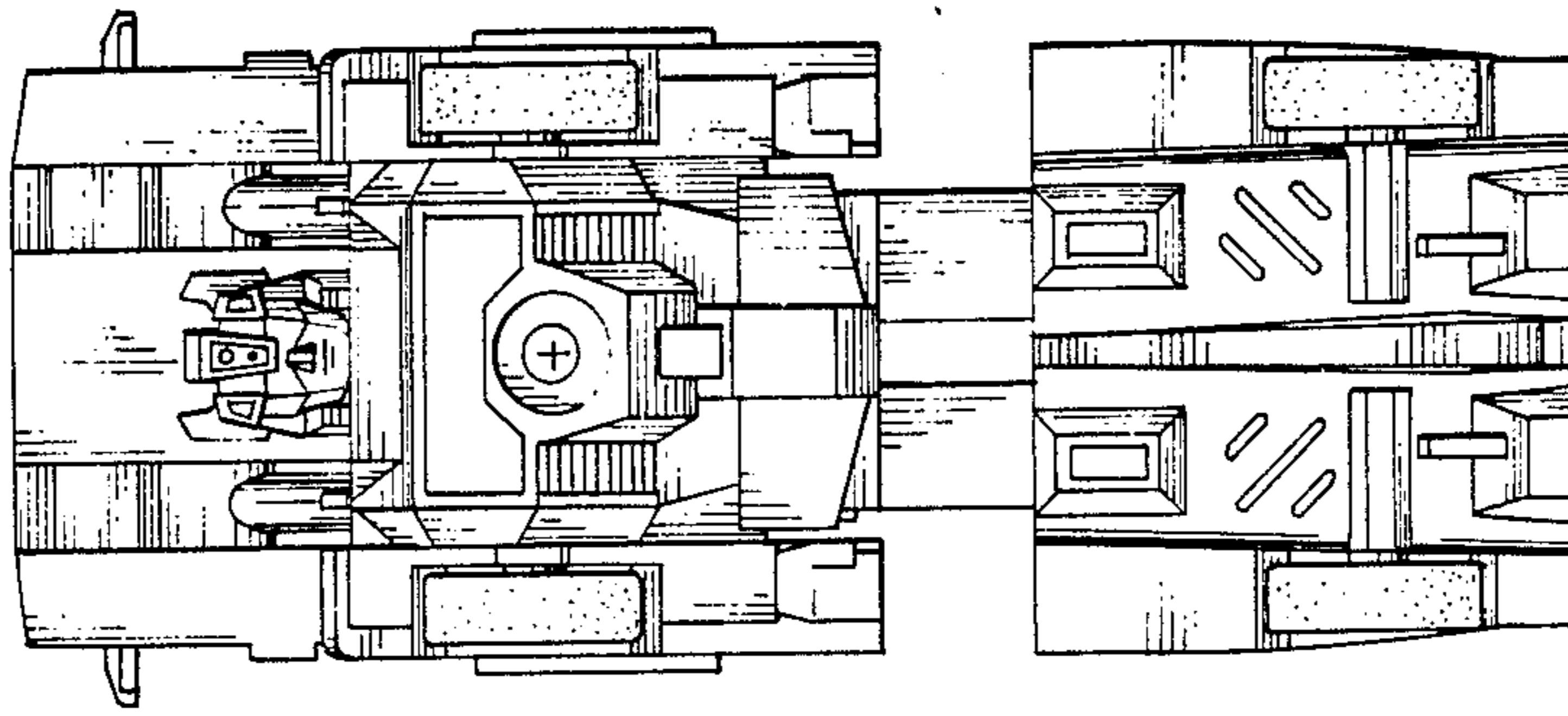


FIG. 8

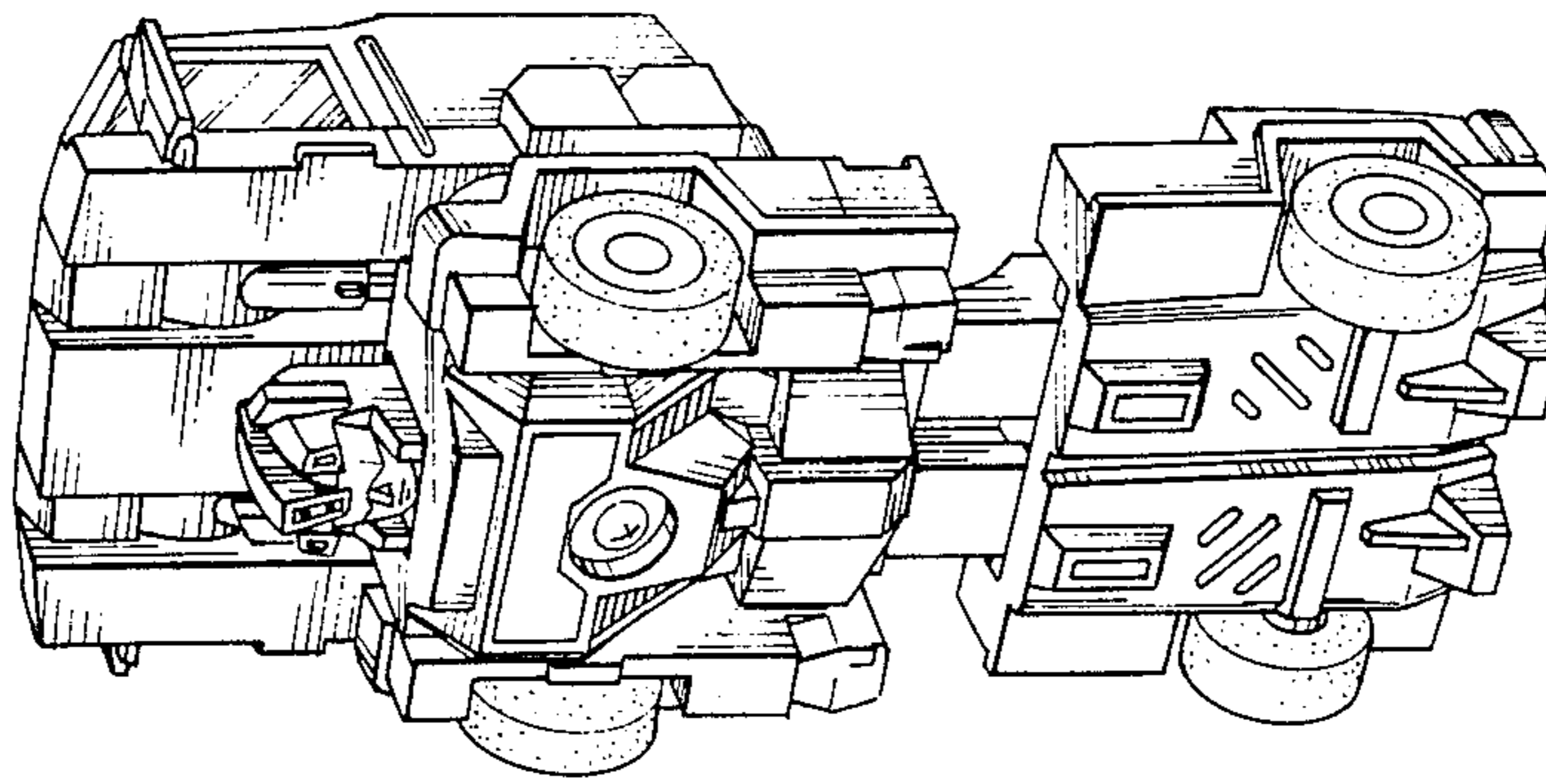


FIG. 14

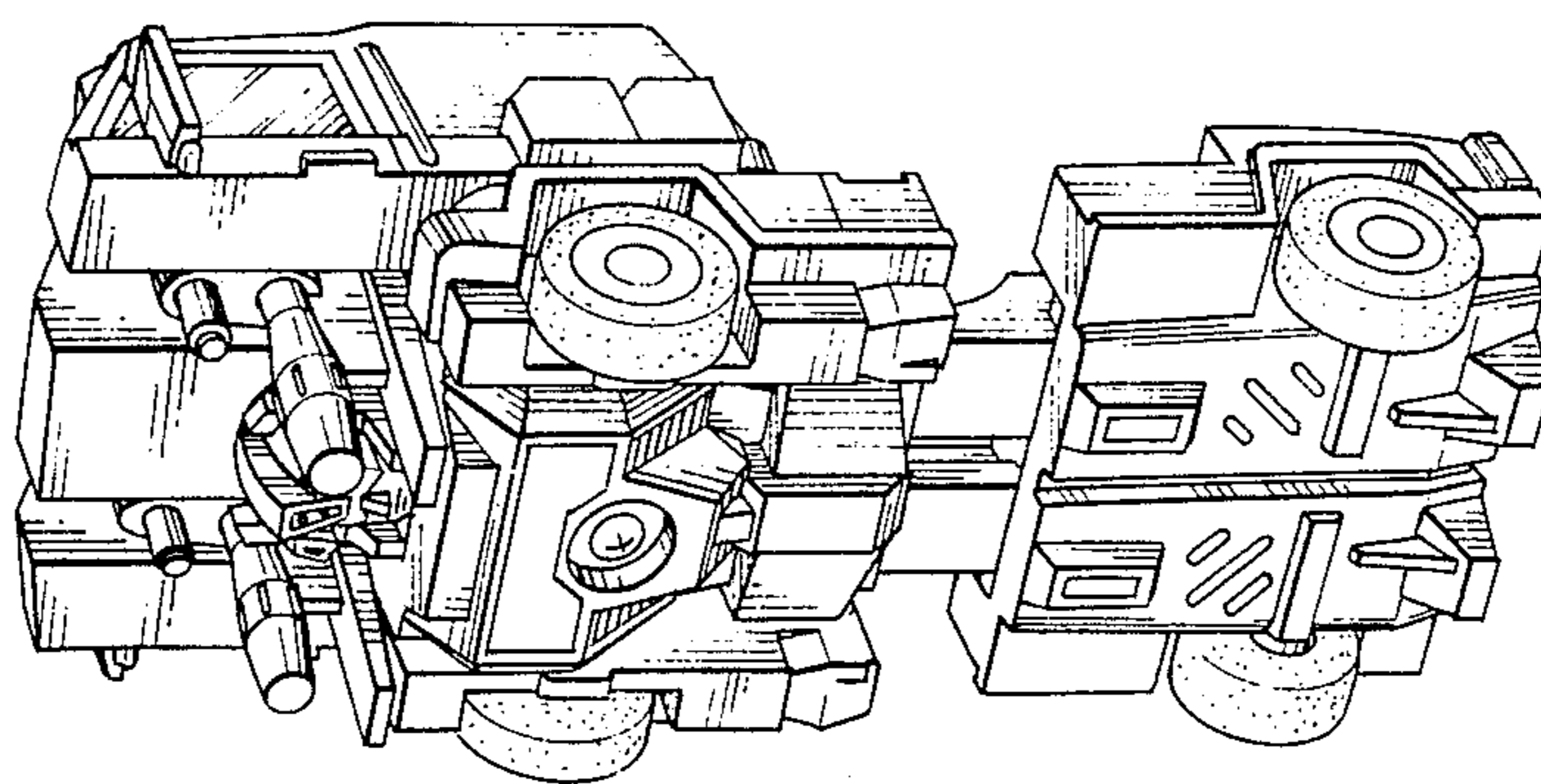


FIG. 12

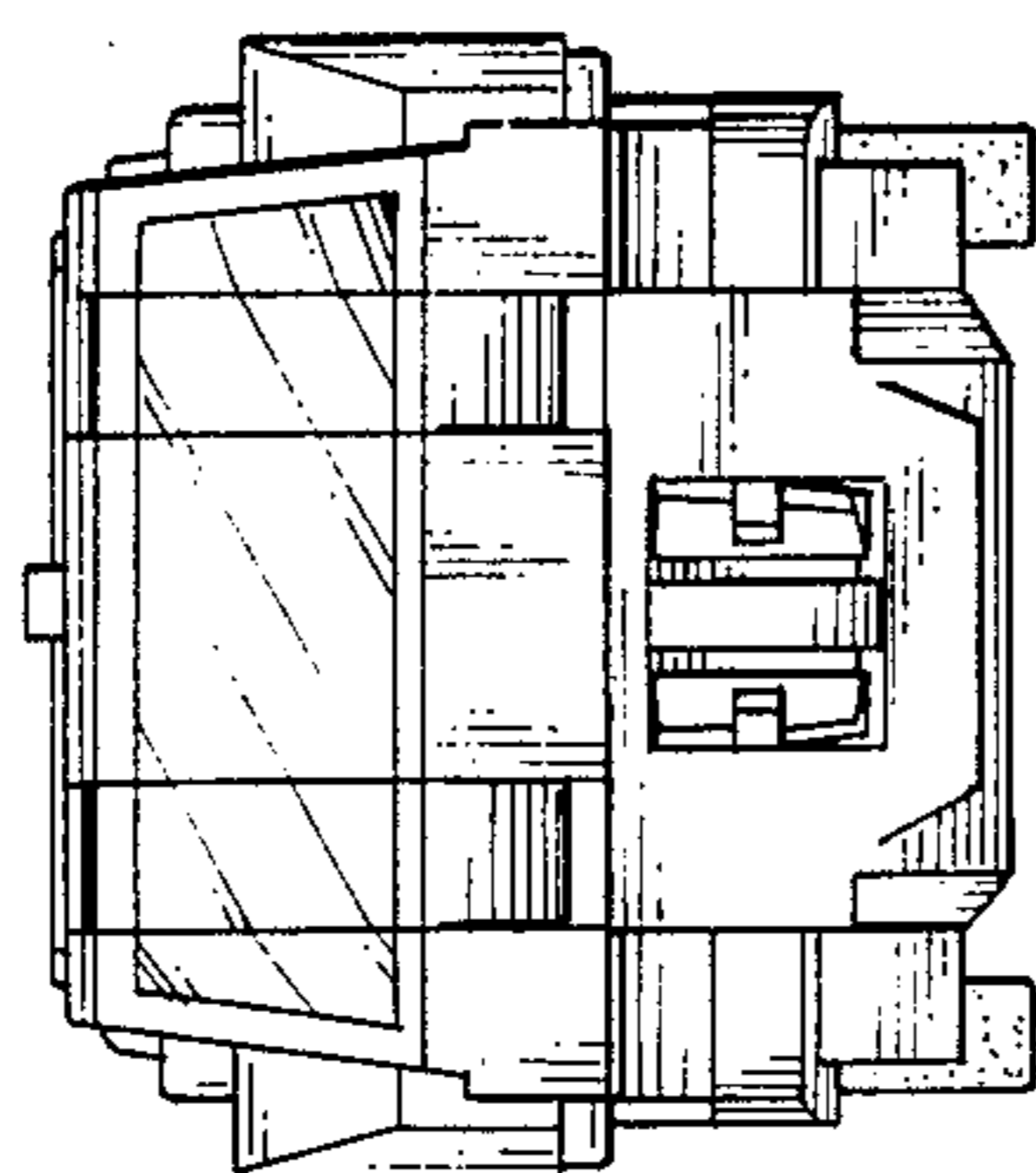


FIG. 13

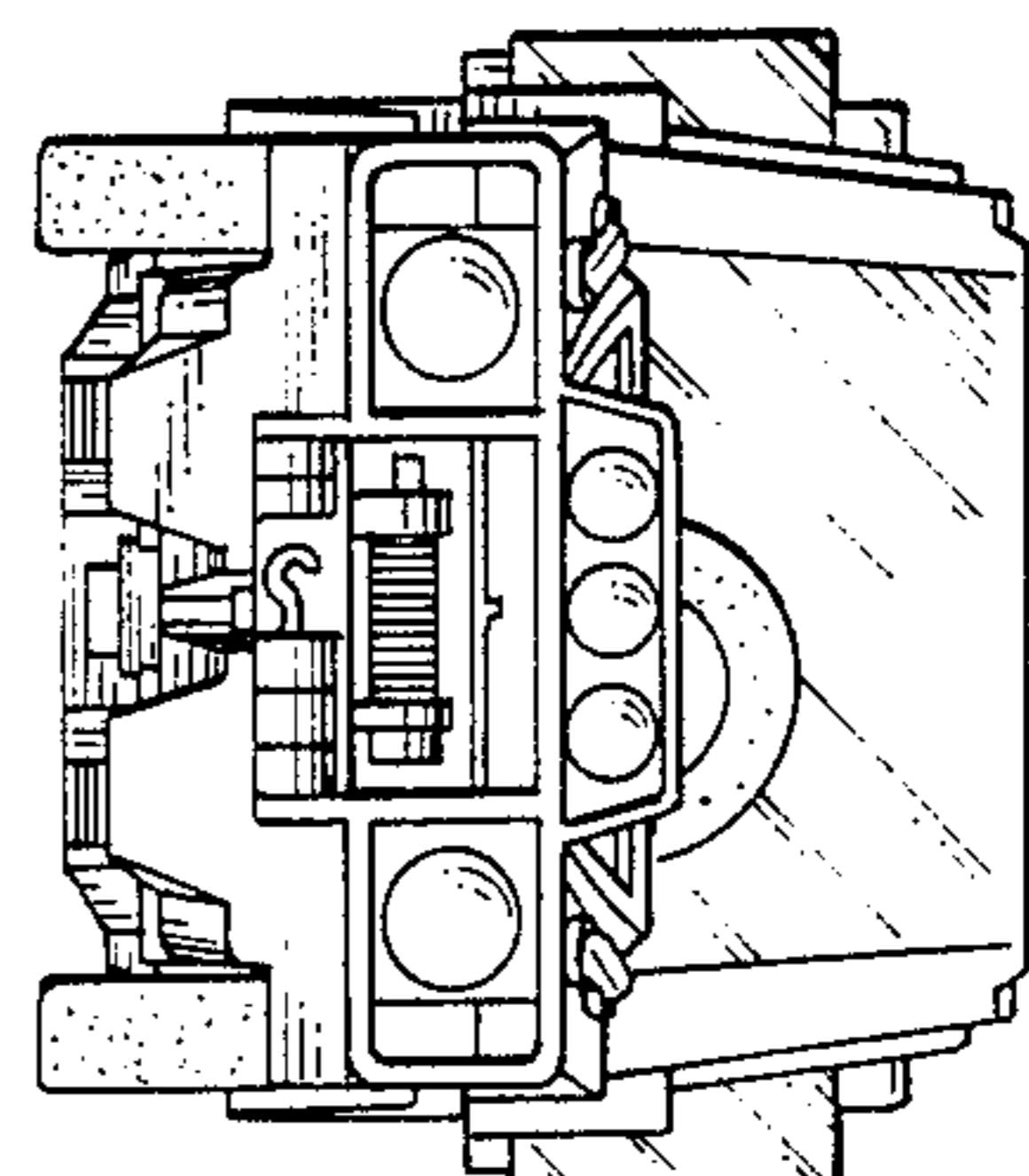


FIG. 11

