

[54] RECONFIGURABLE TOY VEHICLE

[75] Inventor: Tetsuya Ikeda, Chiba, Japan

[73] Assignee: Takara Co., Ltd., Tokyo, Japan

[**] Term: 14 Years

[21] Appl. No.: 186,127

[22] Filed: Apr. 25, 1988

[30] Foreign Application Priority Data

Nov. 9, 1987 [JP] Japan 62-45777

[52] U.S. Cl. D21/150; D21/136; D21/166

[58] Field of Search D21/150, 166, 128-140; 446/71-78, 381, 383, 487

[56] References Cited

U.S. PATENT DOCUMENTS

D. 279,916	7/1985	Obara	D21/150
D. 281,087	10/1985	Ohno	D21/150
D. 294,376	2/1988	Kamikawa	D21/136
D. 294,609	3/1988	Matsumoto	.	
D. 294,610	3/1988	Matsumoto	.	
D. 301,356	5/1989	Doi	D21/150
D. 301,505	6/1989	Kunihiro	D21/150

Primary Examiner—Charles A. Rademaker
Attorney, Agent, or Firm—Price, Gess & Ubell

[57] CLAIM

The ornamental design for a reconfigurable toy vehicle, as shown and described.

DESCRIPTION

FIG. 1 is a front perspective view of a reconfigurable toy vehicle, showing my new design;
 FIG. 2 is a front elevational view thereof;
 FIG. 3 is a right side elevational view thereof, the side opposite being a mirror image;
 FIG. 4 is a rear elevational view thereof;
 FIG. 5 is a top plan view thereof;
 FIG. 6 is a bottom plan view thereof;
 FIG. 7 is a front perspective view of the design shown in FIGS. 1 through 6 reconfigured in a toy robotic humanoid configuration;
 FIG. 8 is a front elevational view thereof;
 FIG. 9 is a right side elevational view thereof, the side opposite being a mirror image;
 FIG. 10 is a rear elevational view thereof;
 FIG. 11 is a top plan view thereof; and
 FIG. 12 is a bottom plan view thereof.

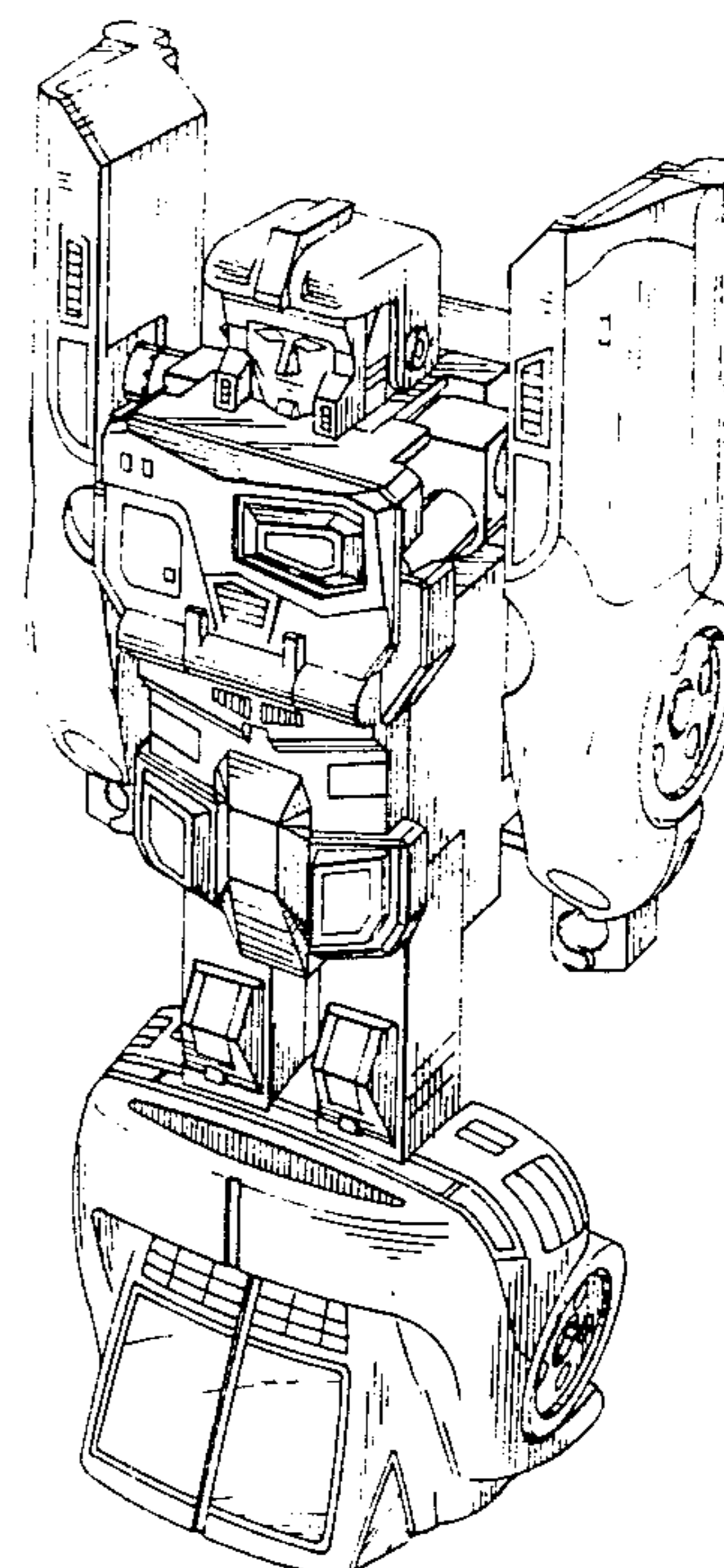
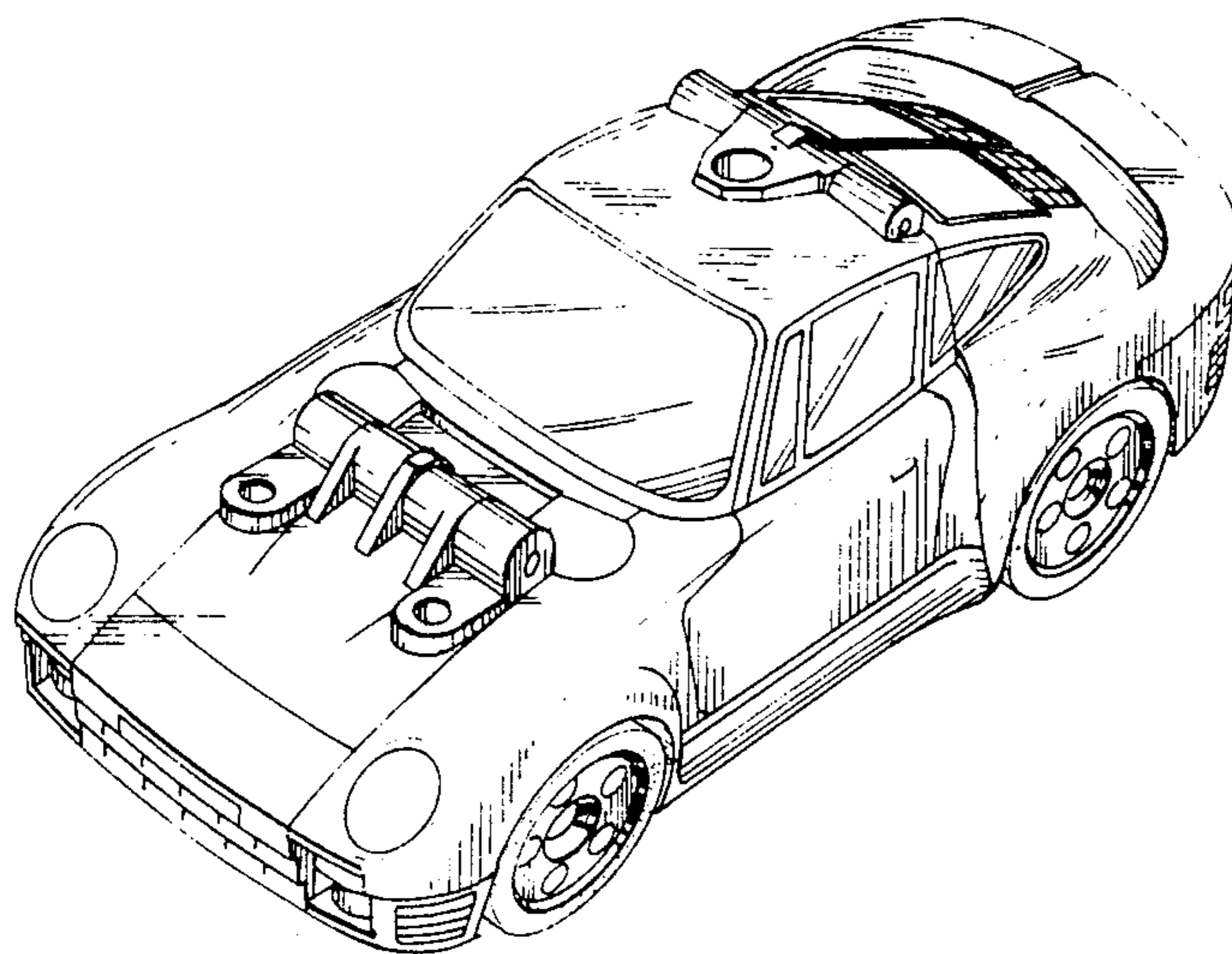


FIG. 1

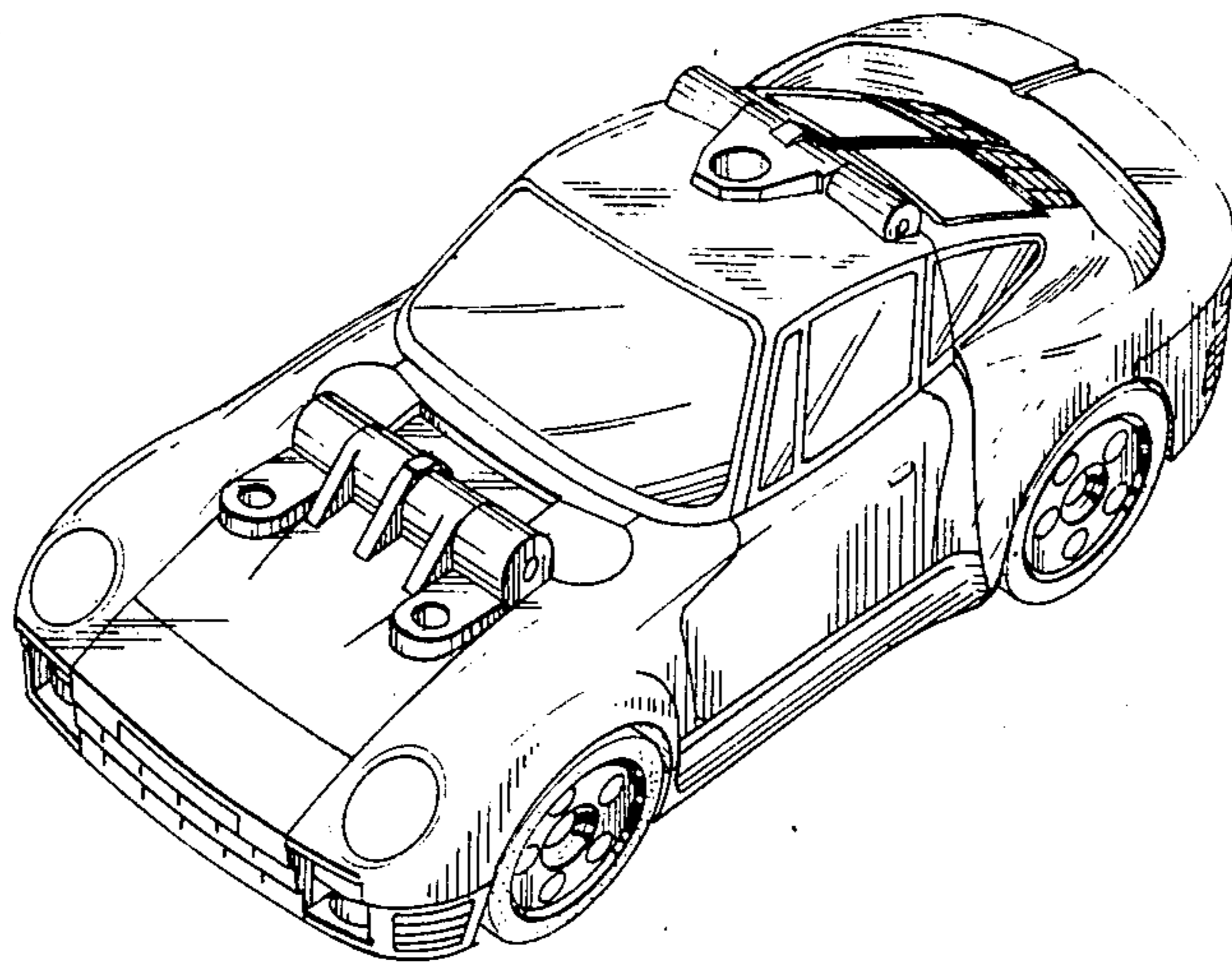


FIG. 2

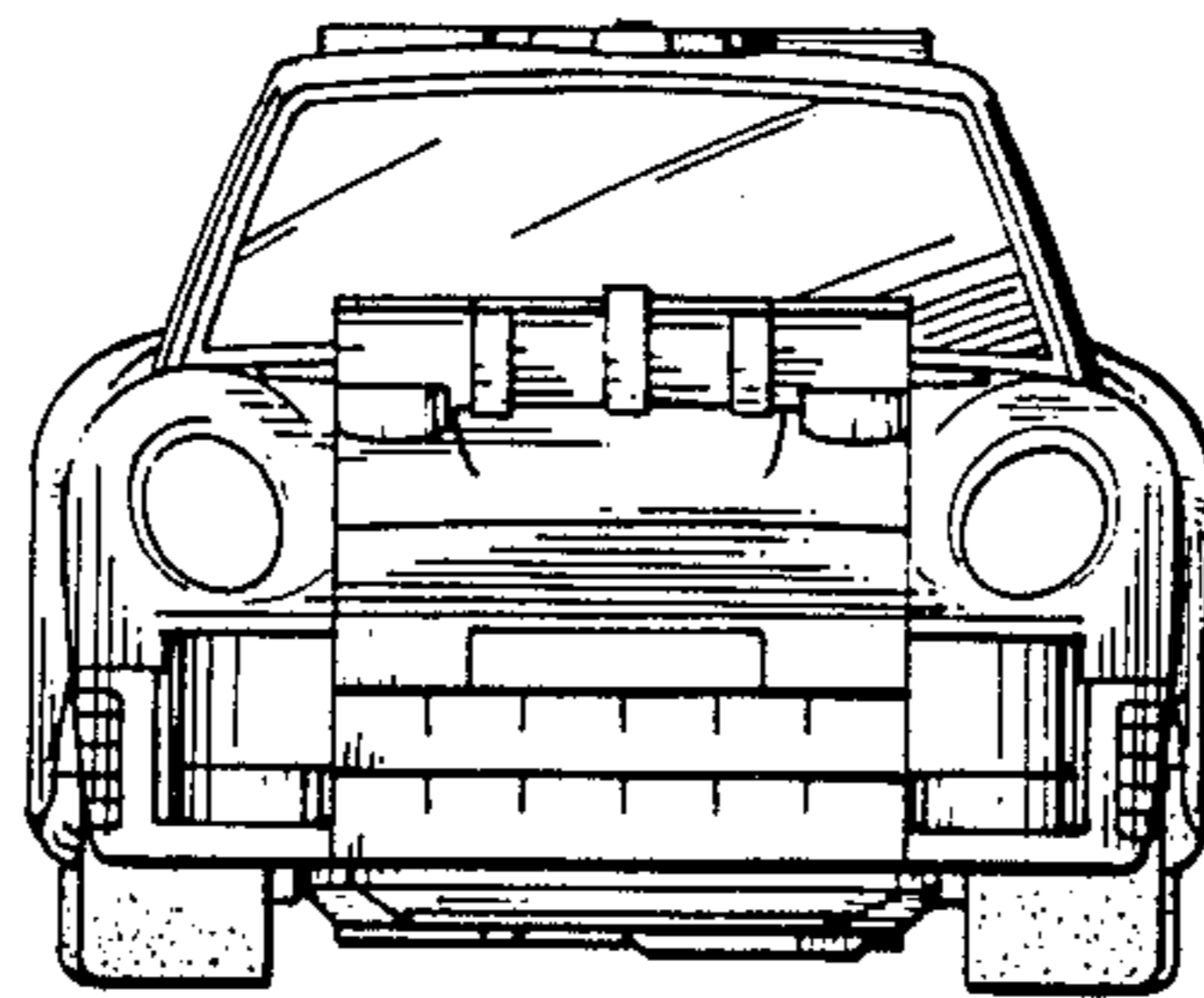


FIG. 3

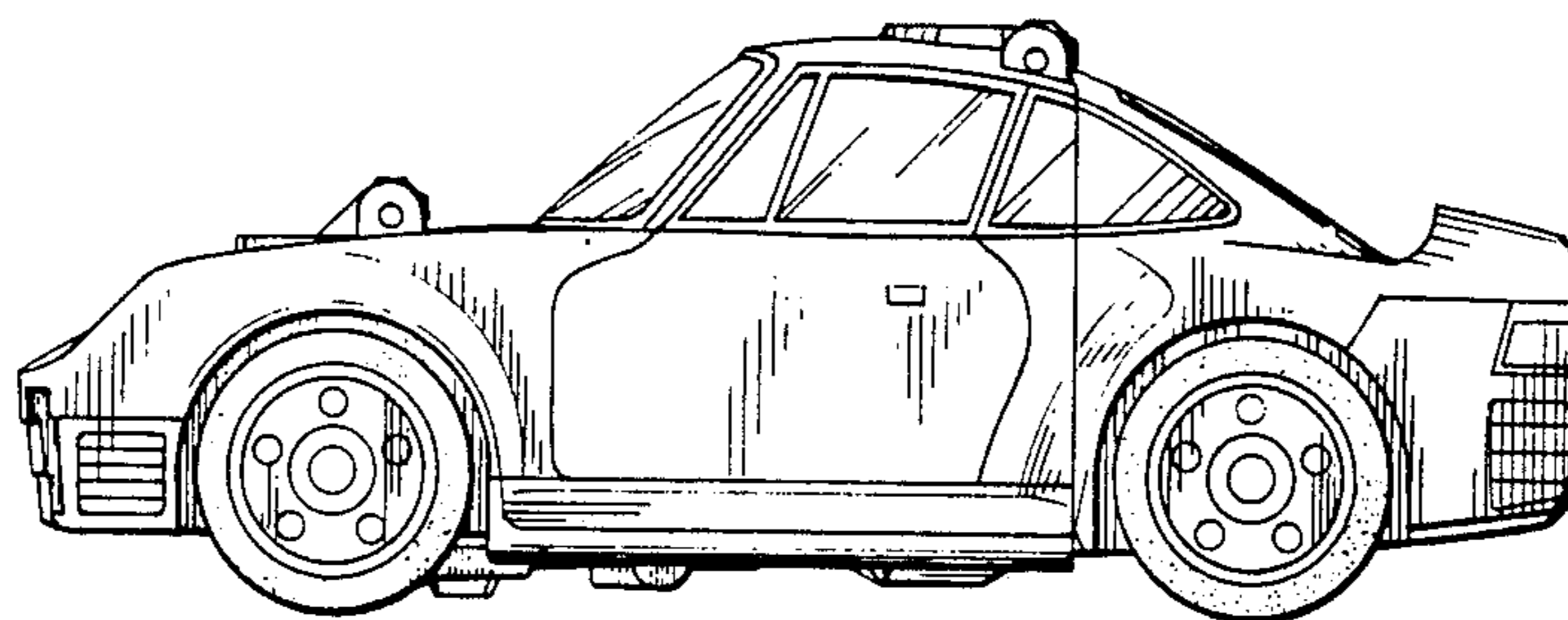


FIG. 6

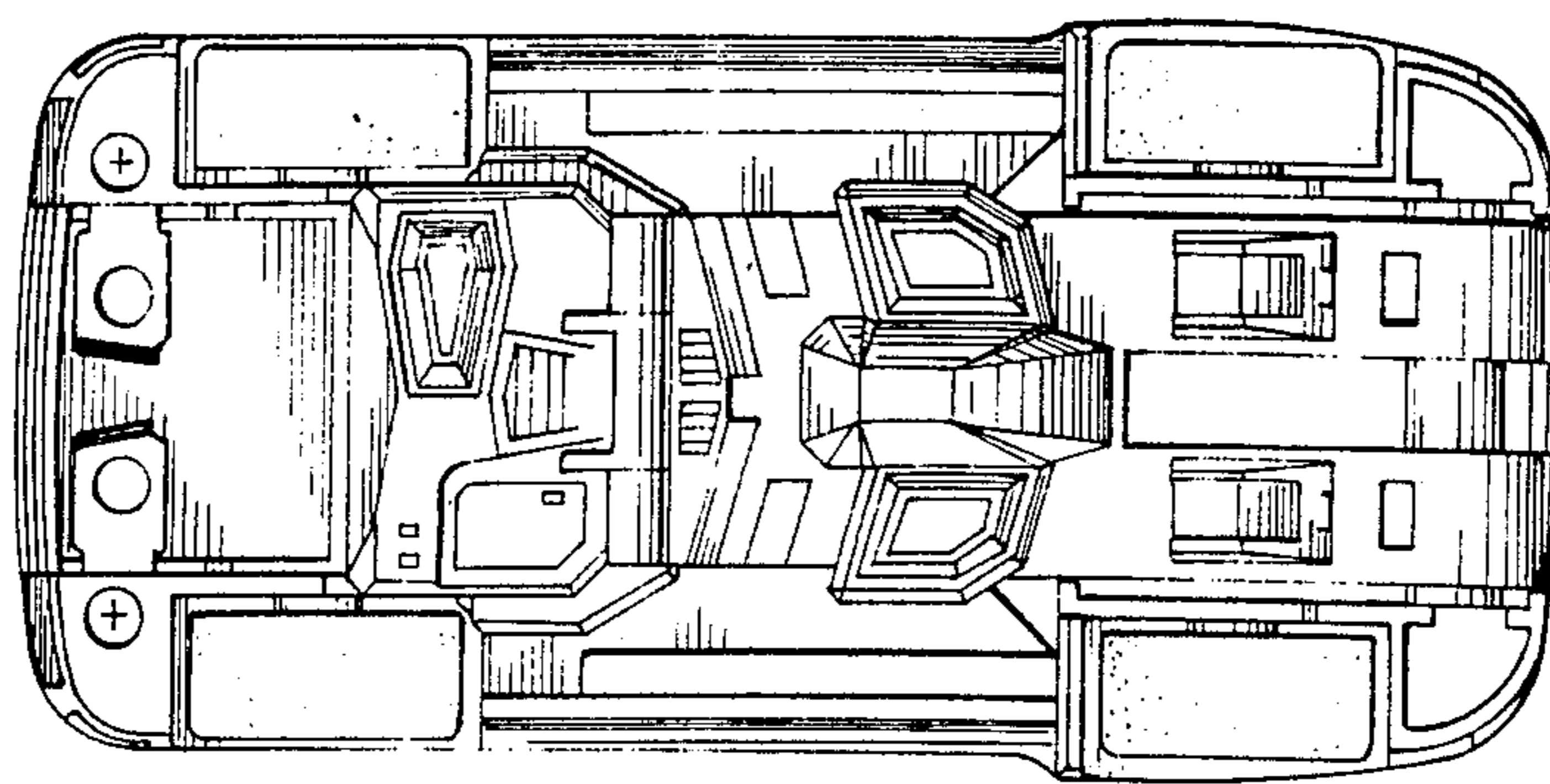


FIG. 5

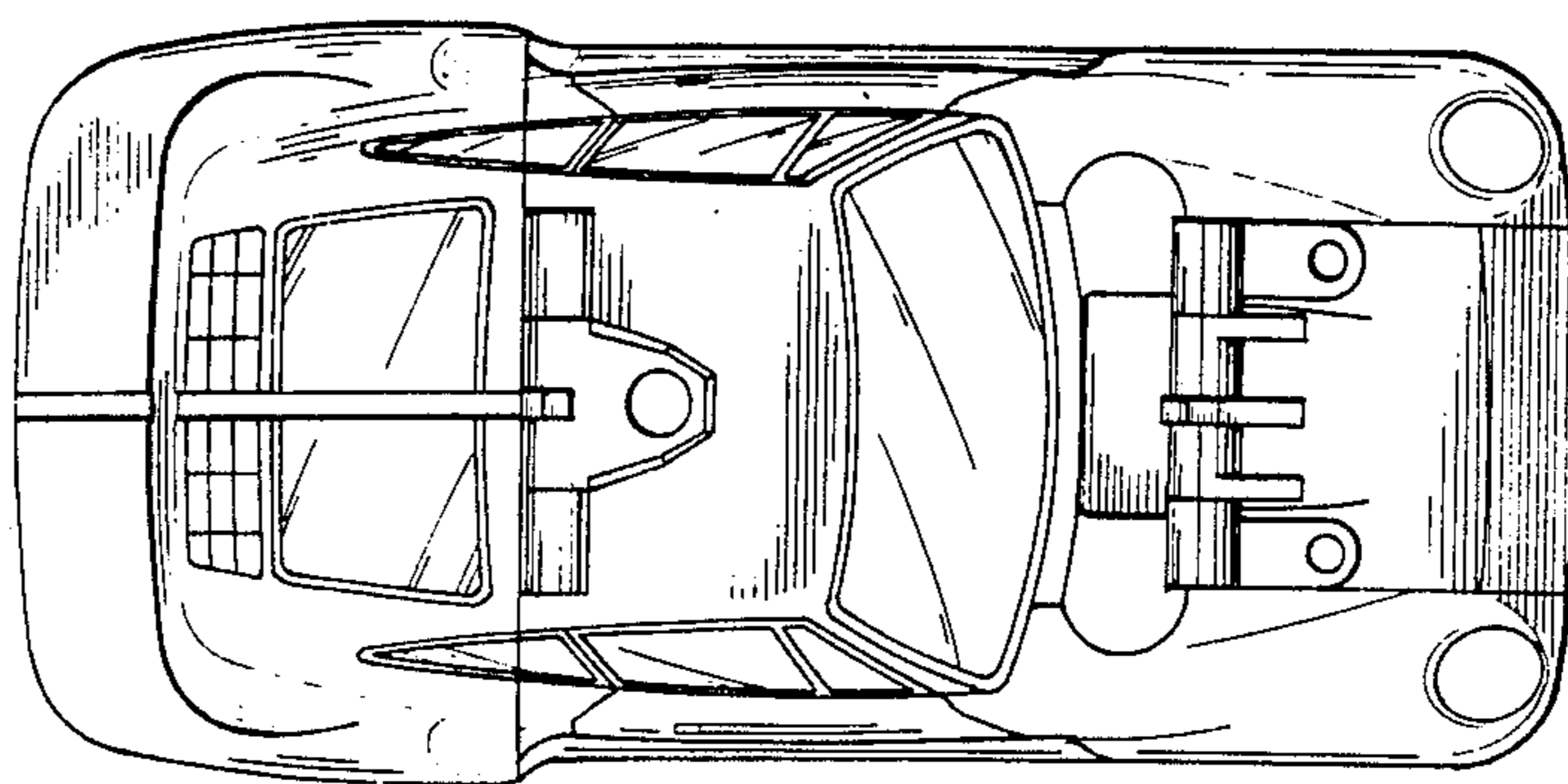


FIG. 4

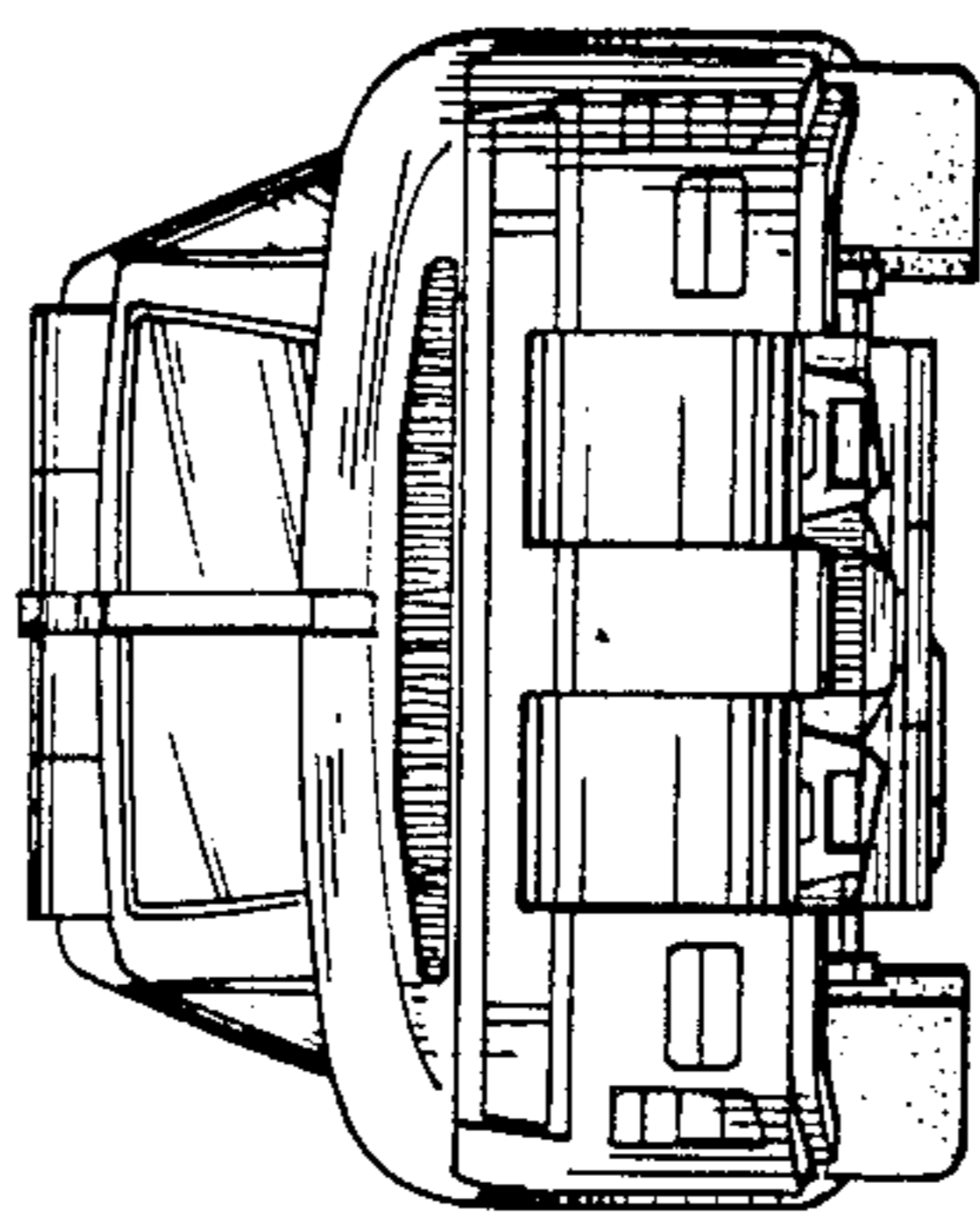


FIG. 8

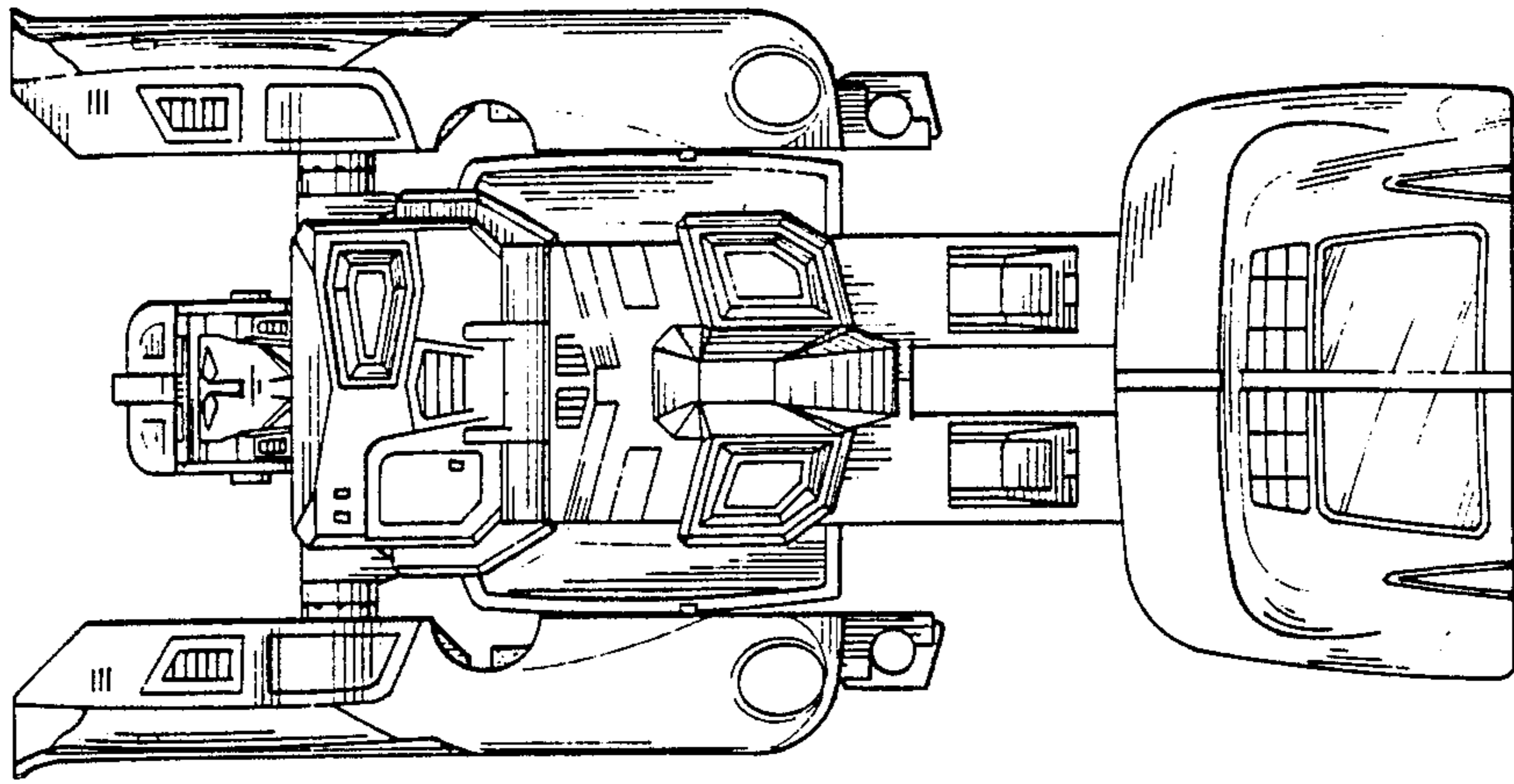


FIG. 7

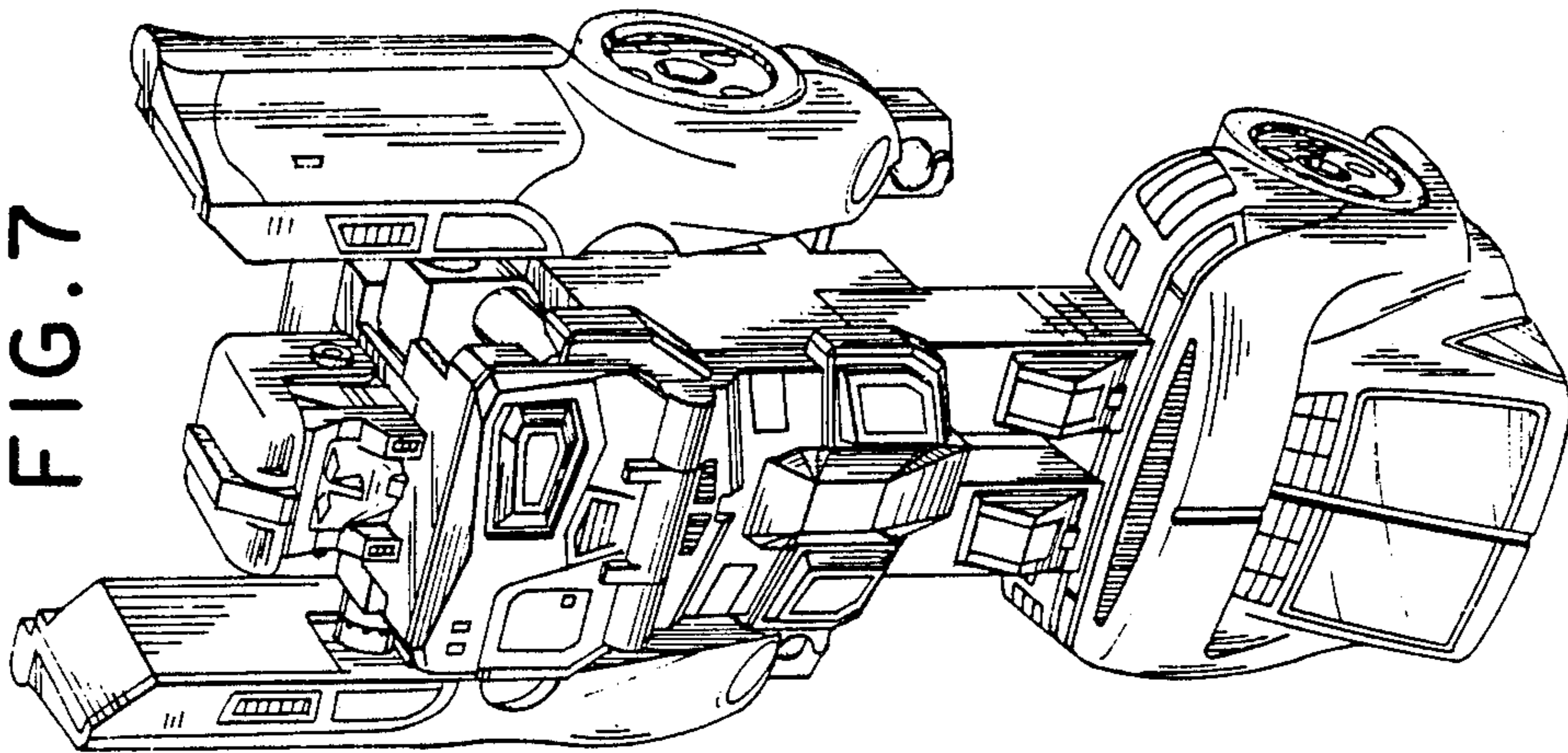


FIG. 10

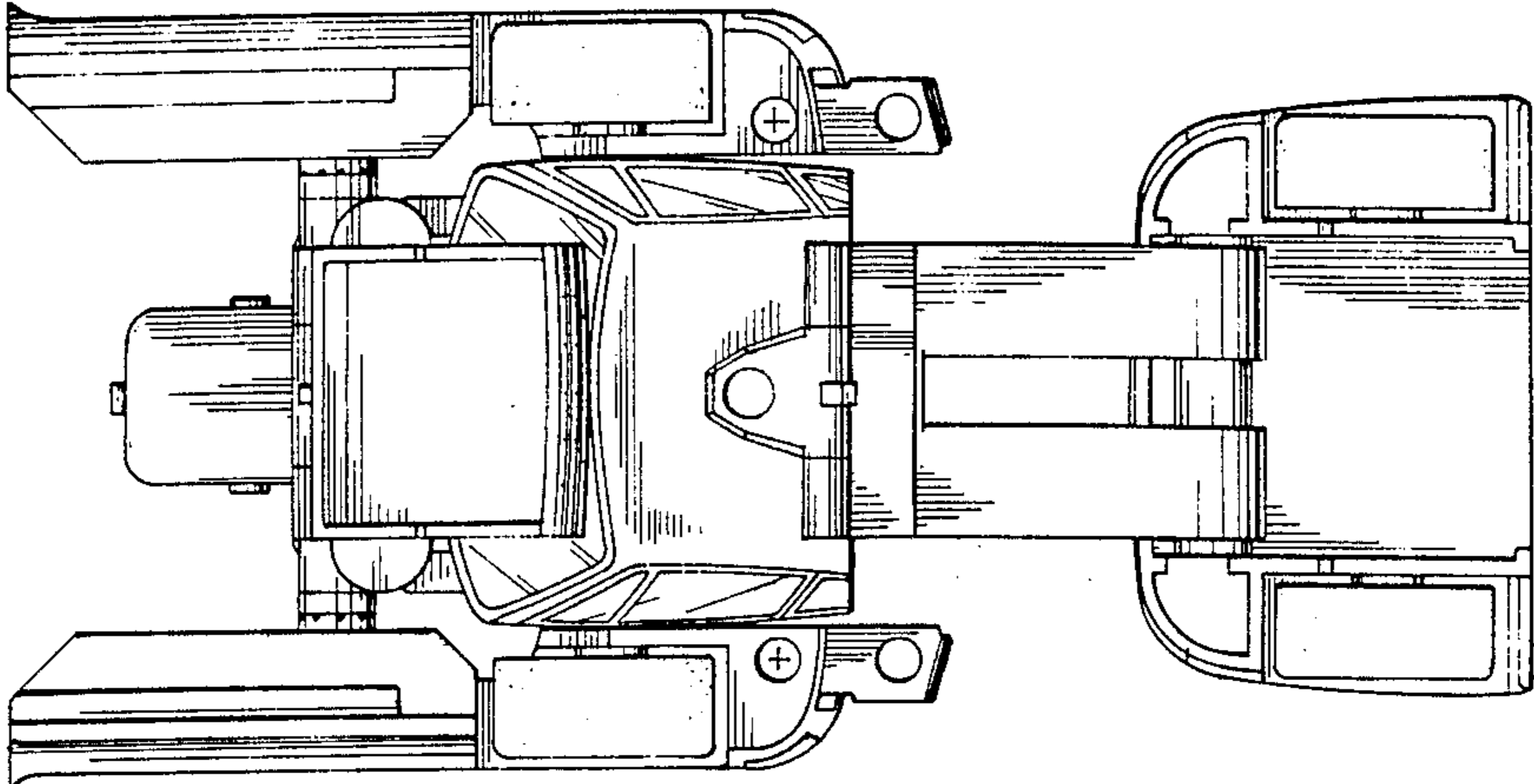


FIG. 9

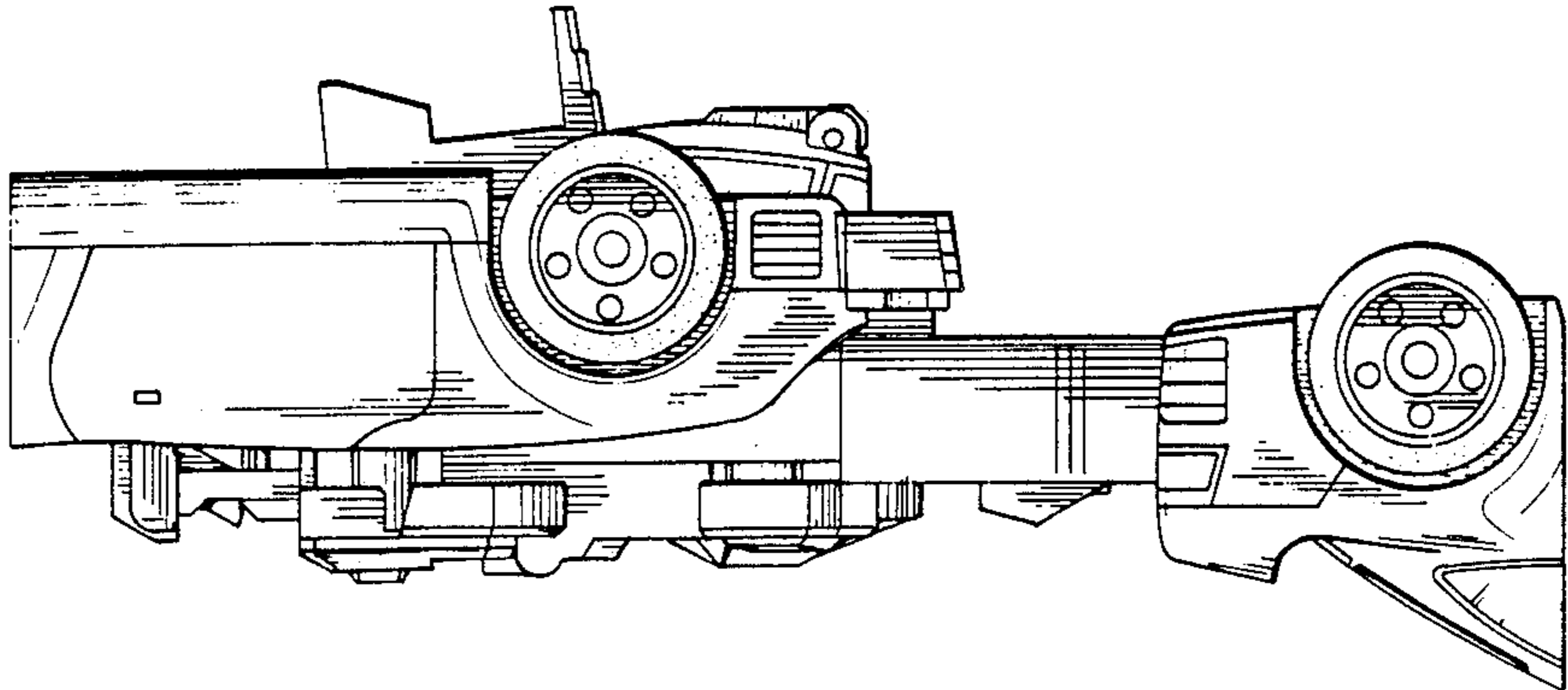


FIG. 11

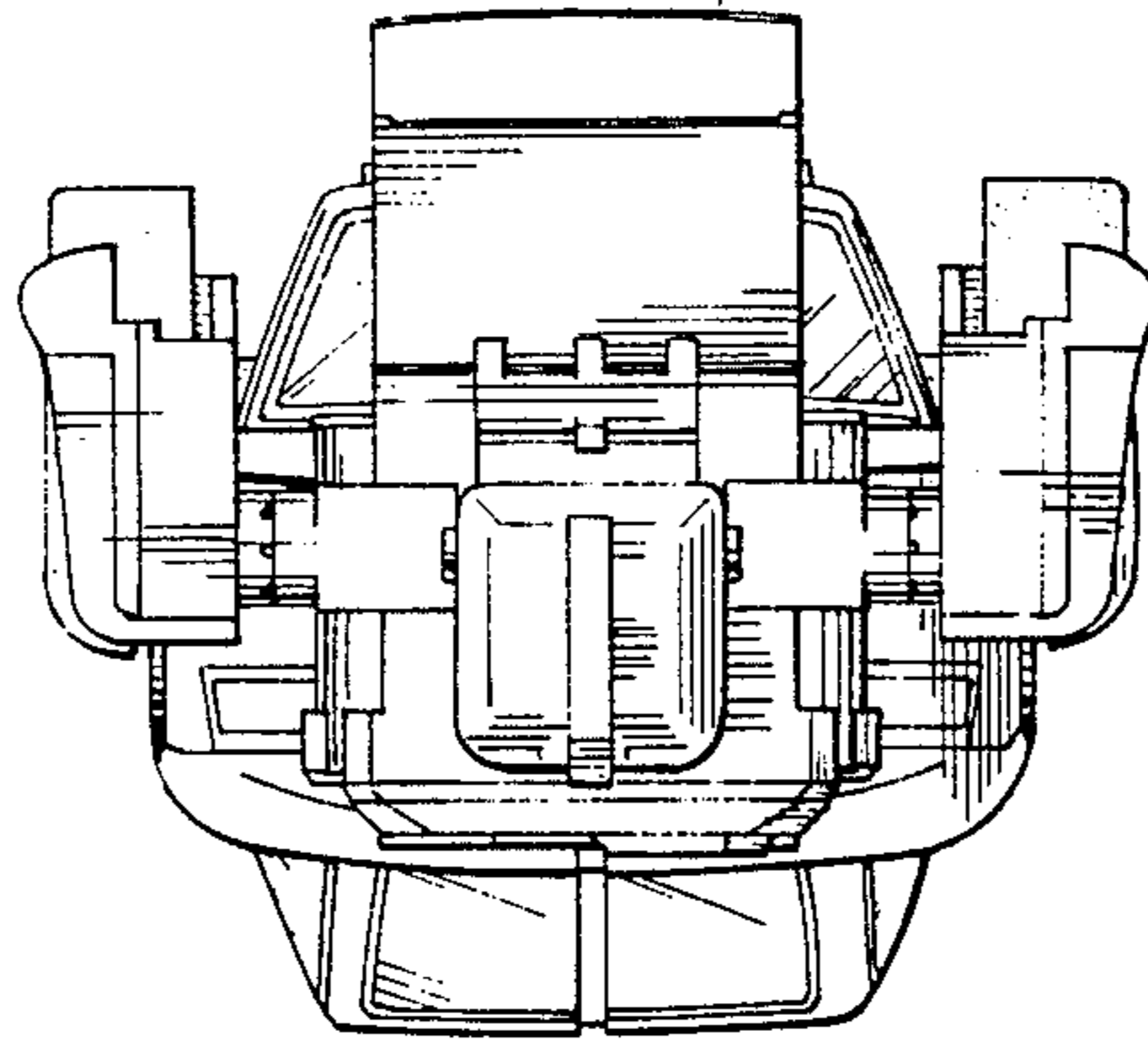


FIG. 12

