

[54] RECONFIGURABLE TOY MIXER TRUCK

[75] Inventor: Muneyoshi Shinohara, Matsudo, Japan

[73] Assignee: Takara Co., Ltd., Tokyo, Japan

[**] Term: 14 Years

[21] Appl. No.: 184,164

[22] Filed: Apr. 21, 1988

[30] Foreign Application Priority Data

Nov. 26, 1987 [JP] Japan 62-48054

[52] U.S. Cl. D21/150; D21/138; D21/166

[58] Field of Search D21/128-140, D21/150, 166; 446/71-80, 94, 97, 381, 383, 487

[56] References Cited

U.S. PATENT DOCUMENTS

D. 222,868	1/1972	Gilford et al.	D21/138
D. 288,577	3/1987	Ohno	D21/138
D. 297,034	8/1988	Matsumoto	D21/166
4,674,990	6/1987	Ohno	446/487

Primary Examiner—Charles A. Rademaker
Attorney, Agent, or Firm—Price, Gess & Ubell

[57] CLAIM

The ornamental design for a reconfigurable toy mixer truck, as shown and described.

DESCRIPTION

FIG. 1 is a front perspective view of a reconfigurable toy mixer truck, showing my new design; FIG. 2 is a front elevational view thereof; FIG. 3 is a right side elevational view thereof, the side opposite being a mirror image; FIG. 4 is a rear elevational view thereof; FIG. 5 is a top plan view thereof; FIG. 6 is a bottom plan view thereof; FIG. 7 is a front perspective view of the design shown in FIGS. 1 through 6 reconfigured in a toy robotic humanoid configuration; FIG. 8 is a front elevational view thereof; FIG. 9 is a right side elevational view thereof, the side opposite being a mirror image; FIG. 10 is a rear elevational view thereof; FIG. 11 is a top plan view thereof; and FIG. 12 is a bottom plan view thereof.

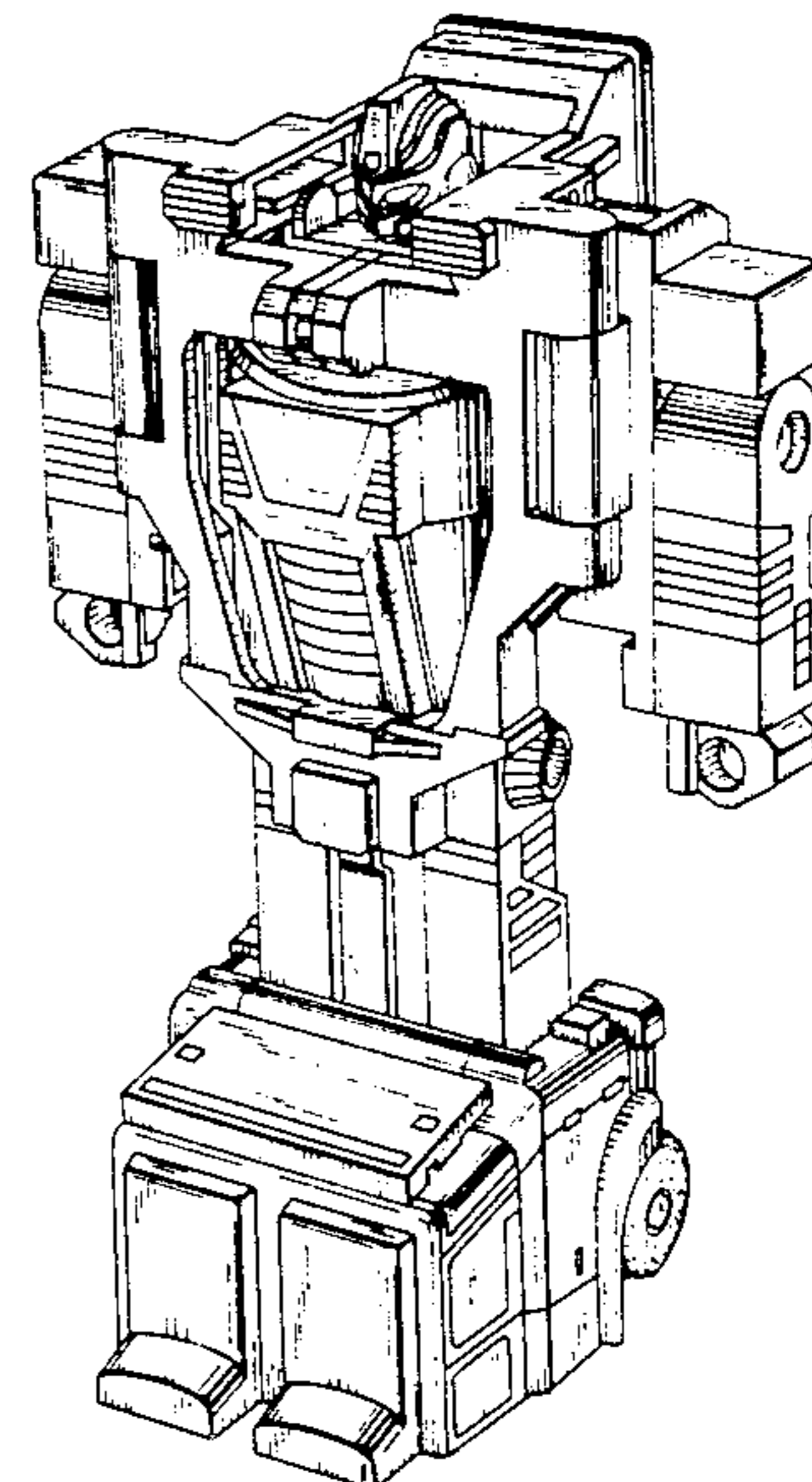
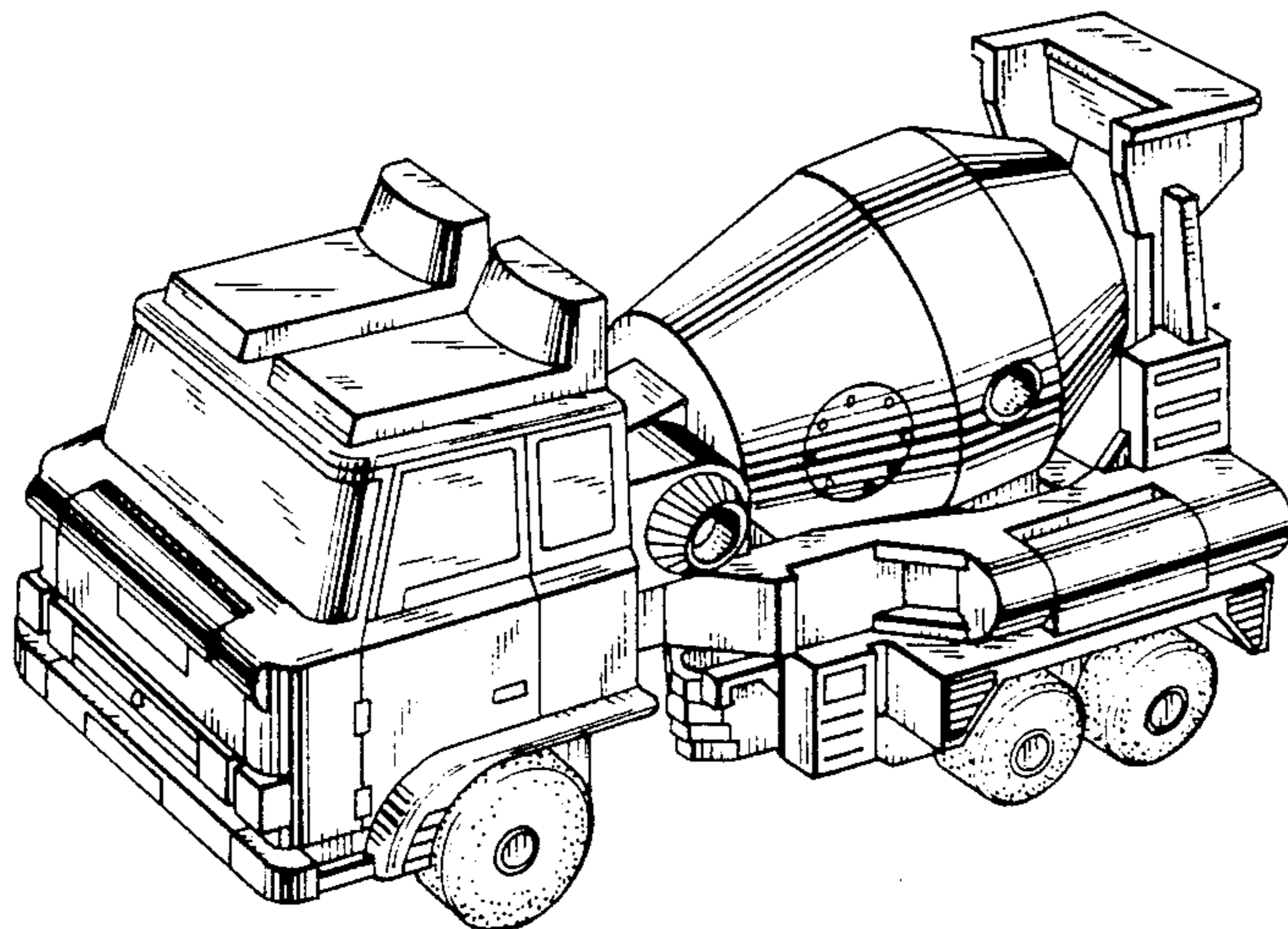


FIG. 2

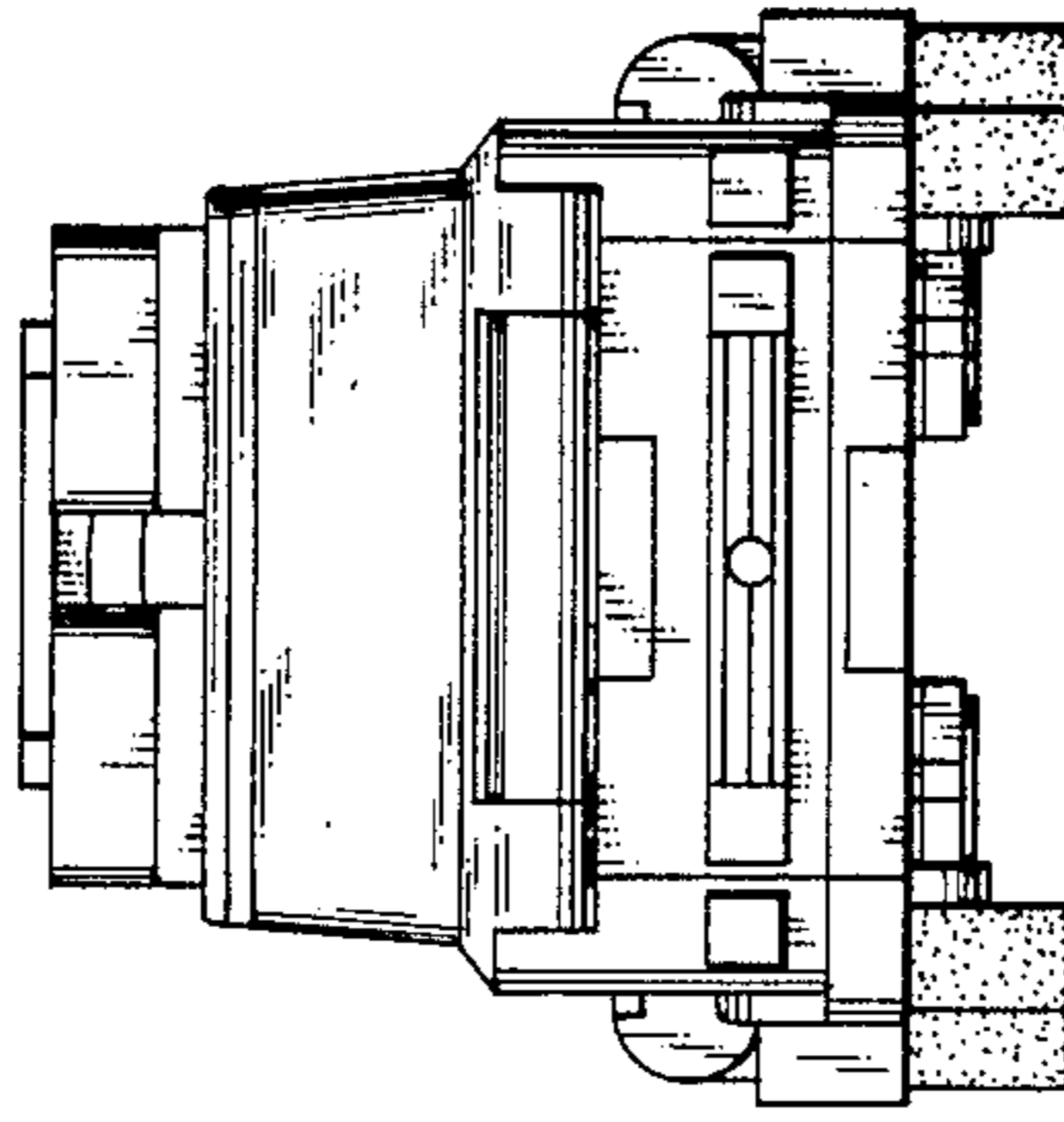


FIG. 1

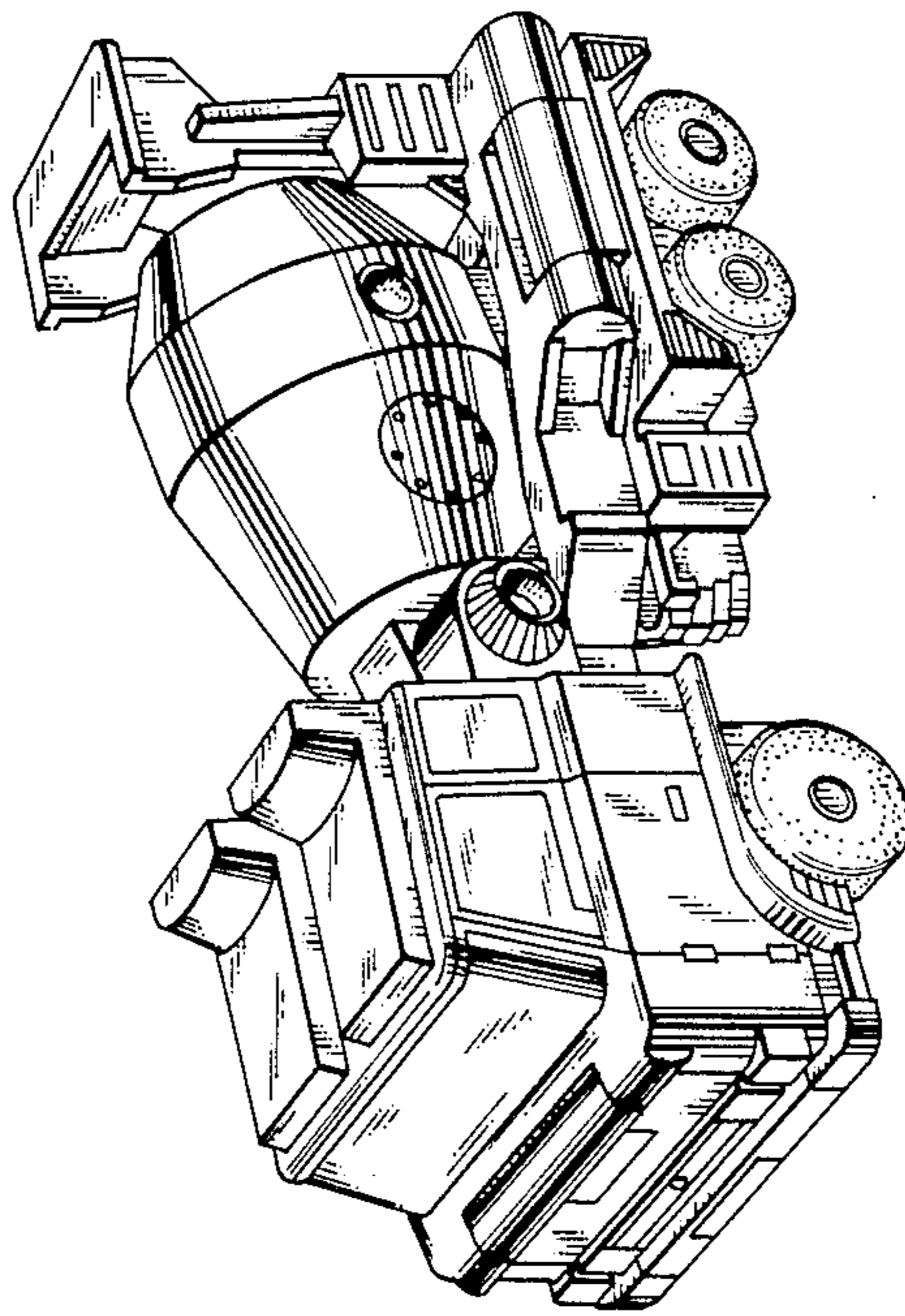


FIG. 3

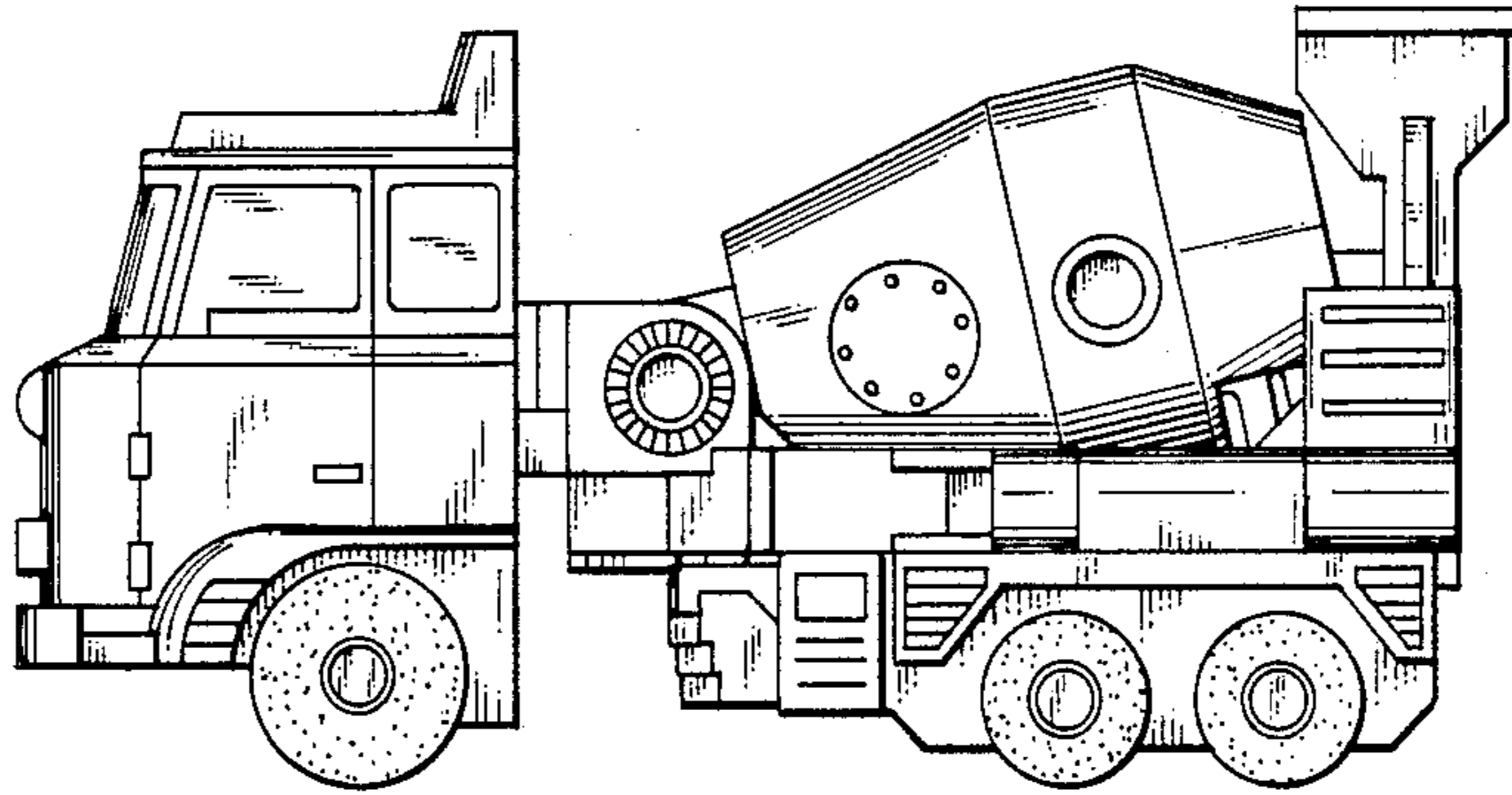


FIG. 4

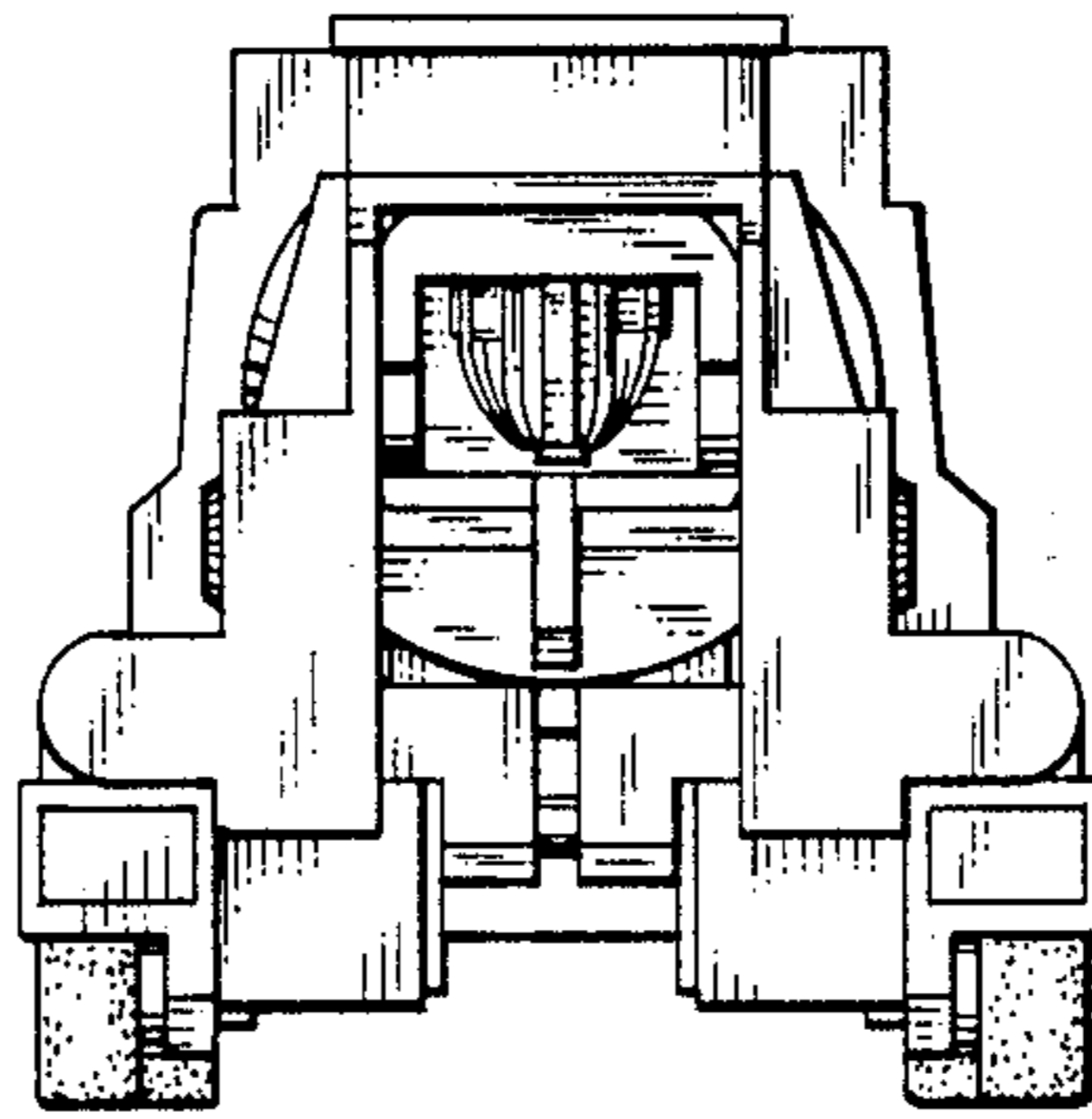


FIG. 6

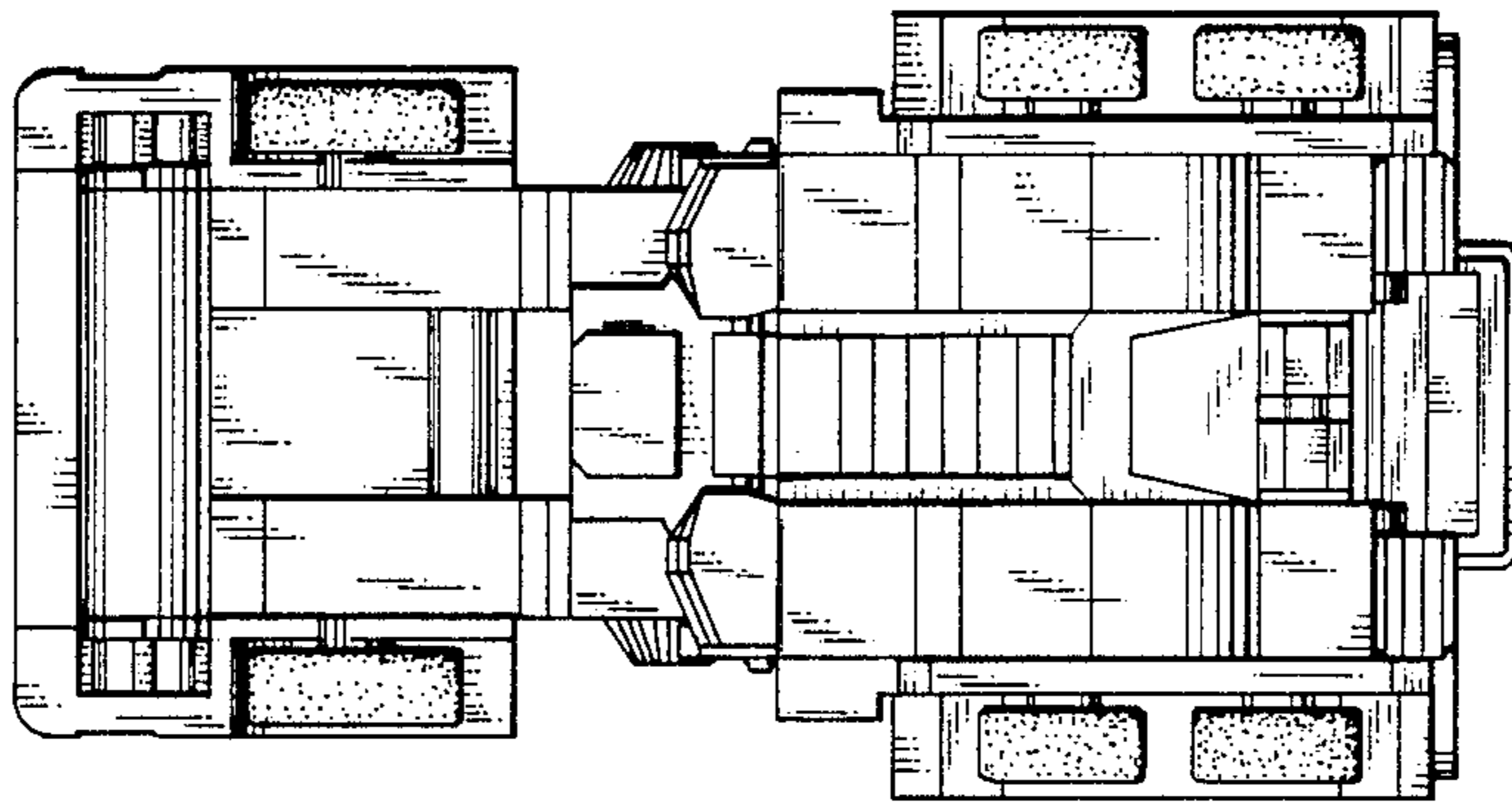


FIG. 5

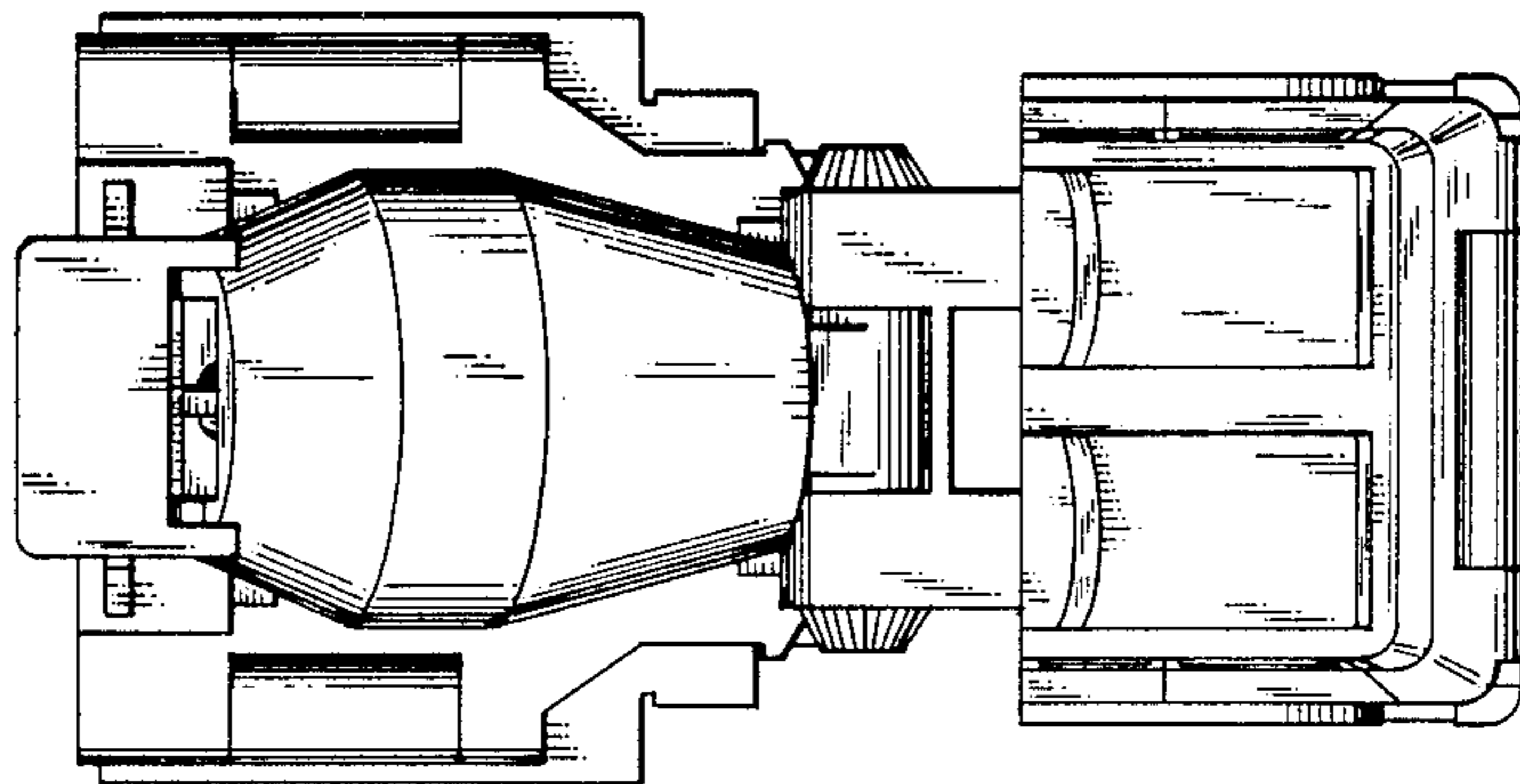


FIG. 8

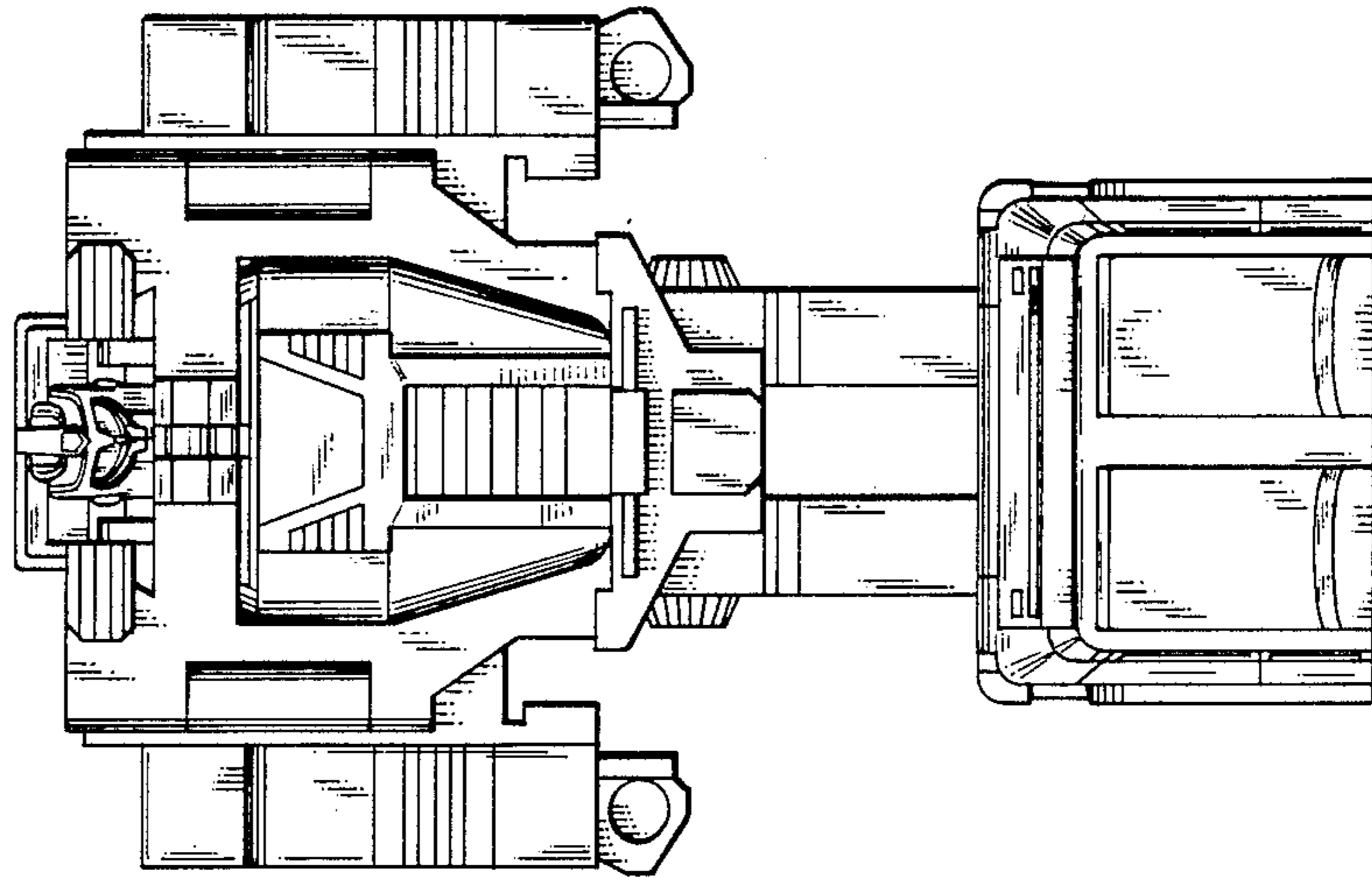


FIG. 7

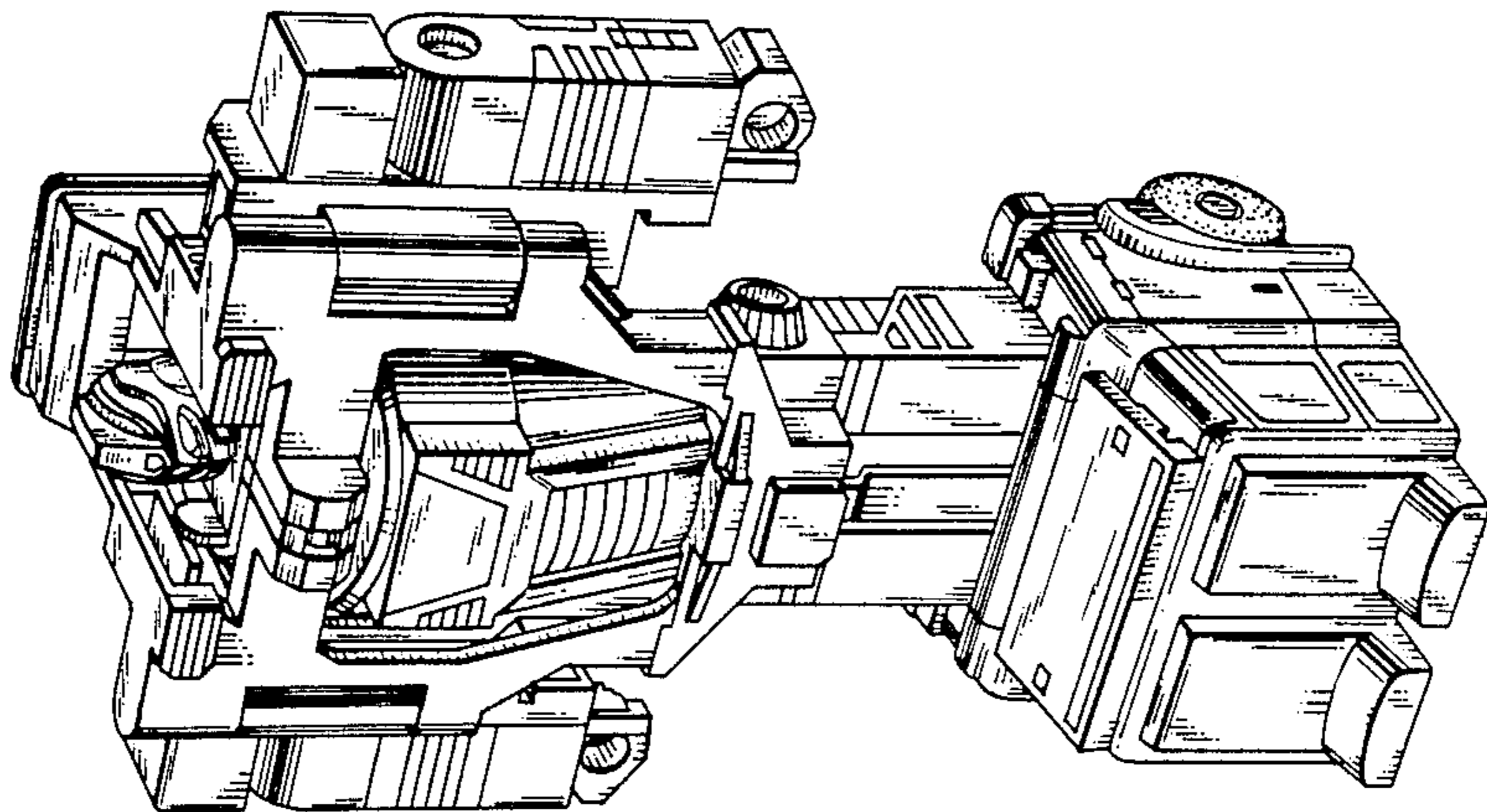


FIG. 10

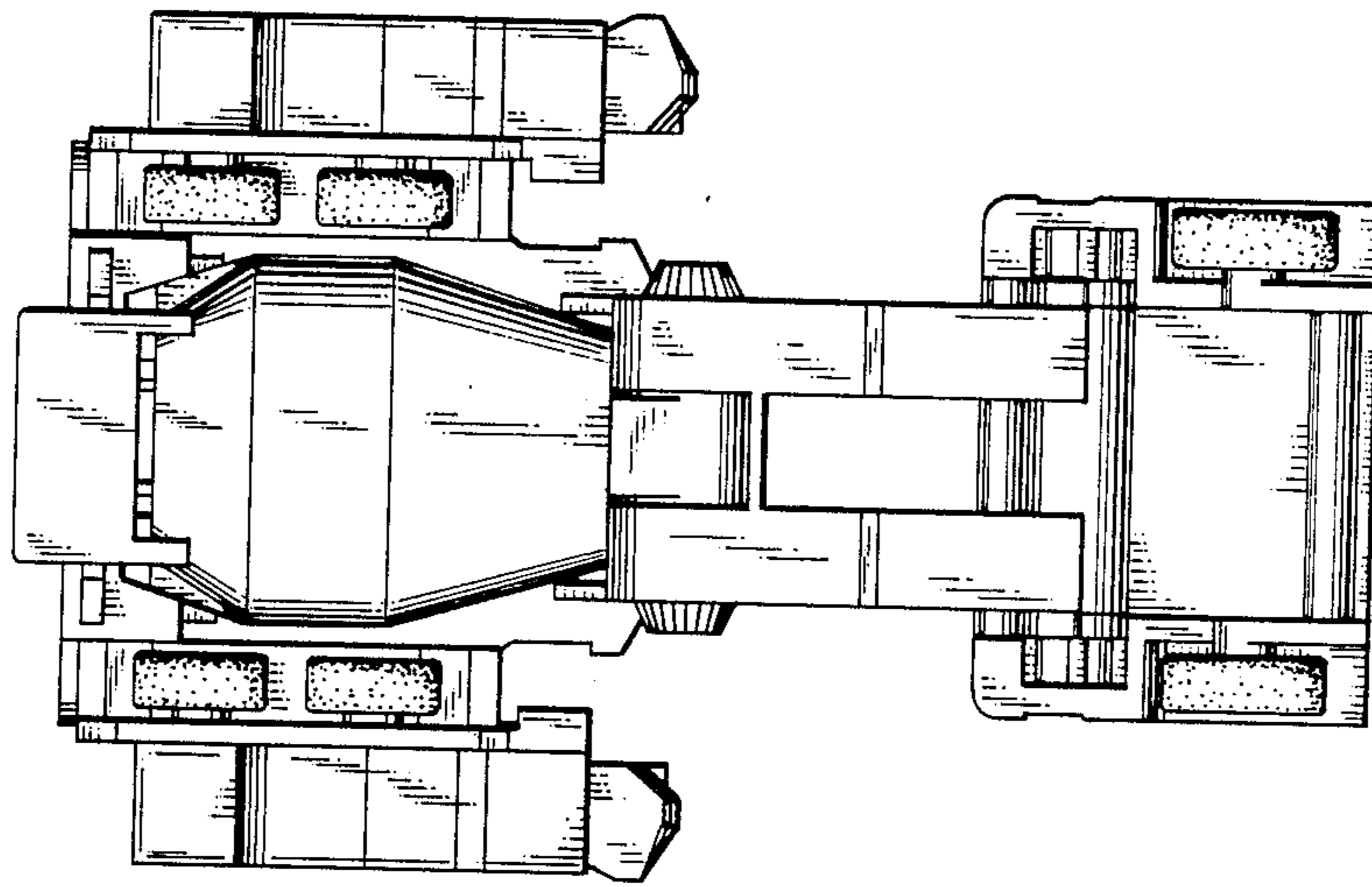


FIG. 9

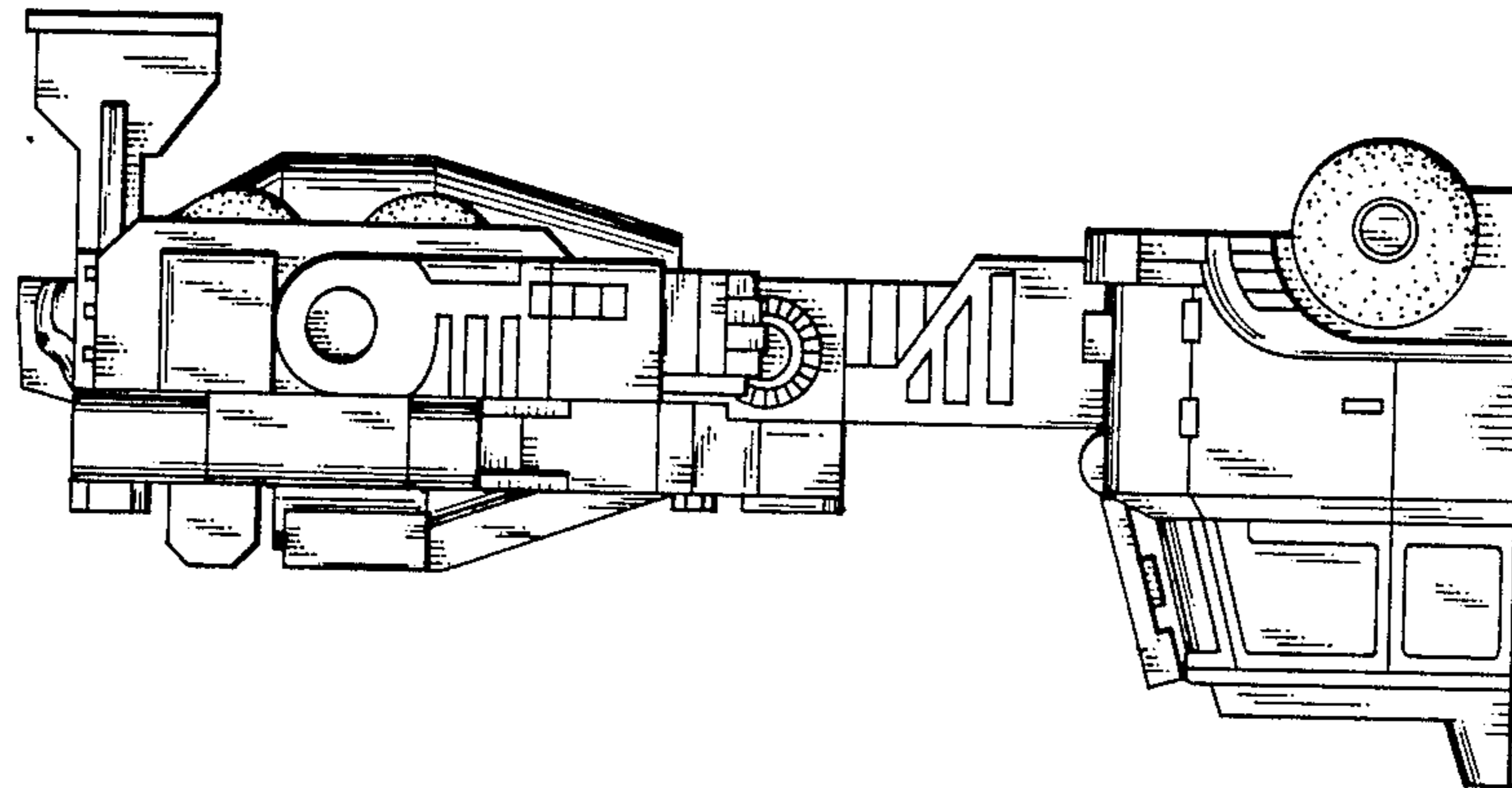


FIG. 12

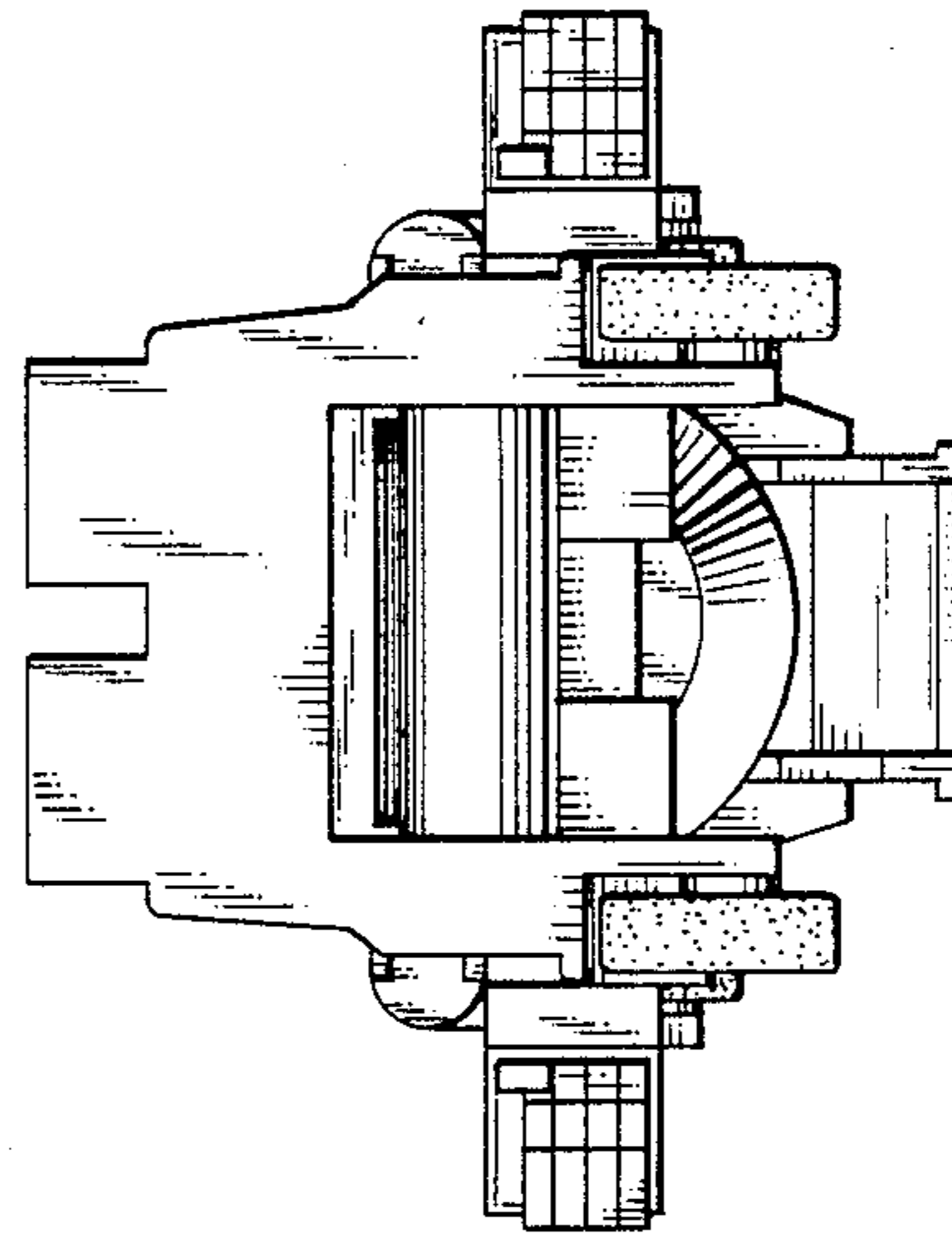


FIG. 11

